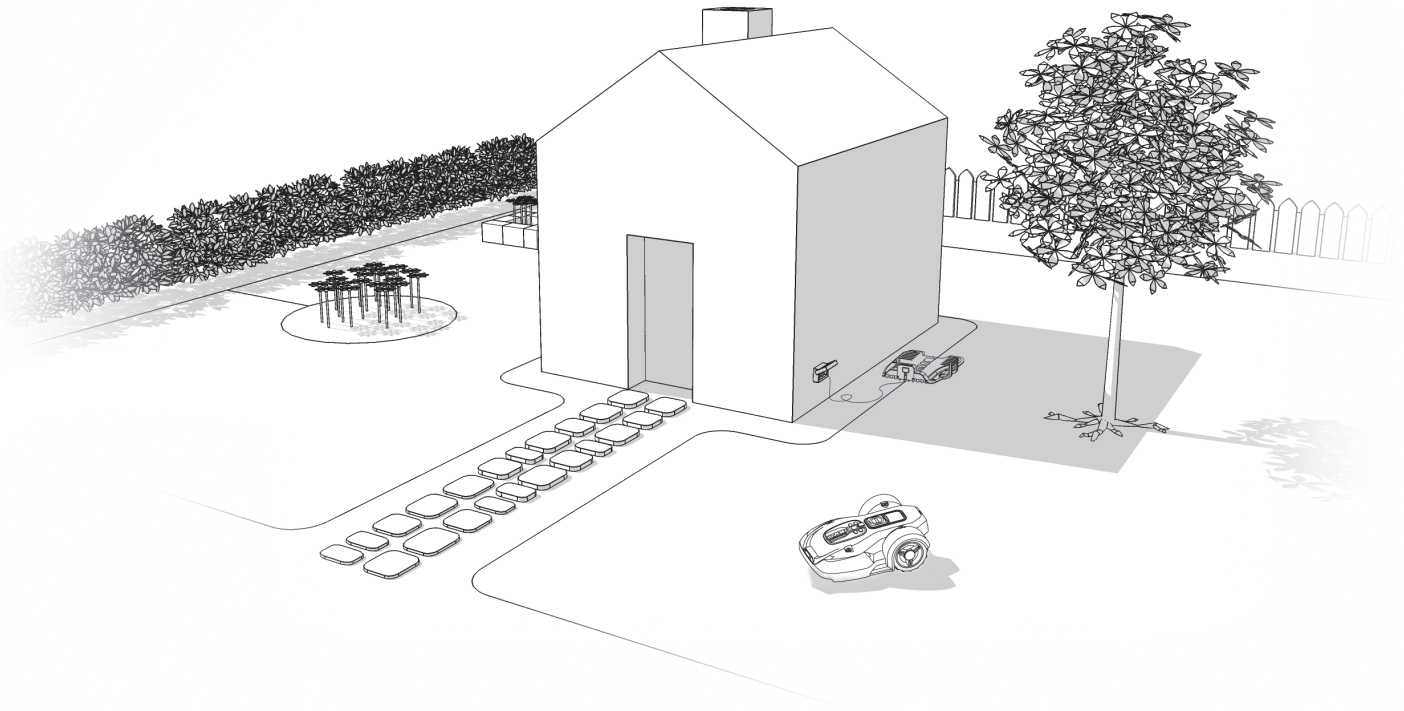




LANDROID[®] 
UNMANNED
MOWING
VEHICLE

INSTALLATION
GUIDE 

Installation guide	EN	P04
Installationsanleitung	D	P18
Guide d'installation	F	P32
Guida d'installazione	I	P46
Guía de instalación	ES	P60
Guia de instalação	PT	P74
Instalační příručka	CZ	P88
Inštaláčná príručka	SK	P102
Installationsvejledning	DK	P116
Instrukcja instalacji	PL	P130



How to install your Landroid®L

4

EN

The installation of the Landroid®L is easy. Depending on the size of your garden, the entire process only takes a short amount of time. If you are like us, you hate having to waste your precious free time mowing your lawn. The Landroid®L will prove to be your best investment eliminating the need to mow your lawn ever again. You can watch the installation demo video at www.worxlandroid.com.

The Landroid®L loves to mow

It is designed to mow often, maintaining a healthier and better looking lawn than ever before. Depending on the size of your lawn, the Landroid®L may be programmed to operate at any time or frequency with no restrictions. It is here to work for you.

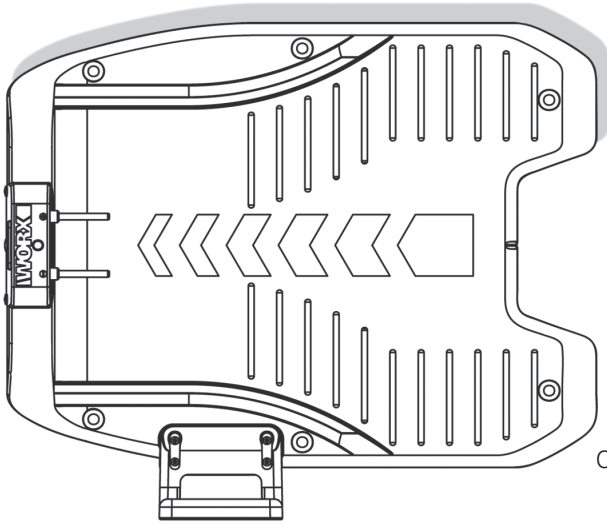
Operating costs

Worried about your electricity bill? Let's do the math: if you let your Landroid®L work 3 hours a day, 5 days a week, 25 weeks a year, your Landroid®L will cost you approximately **£4** in electricity*. Yes, **£4** a year. A fraction of what you would spend in petrol for your noisy, polluting petrol mower.

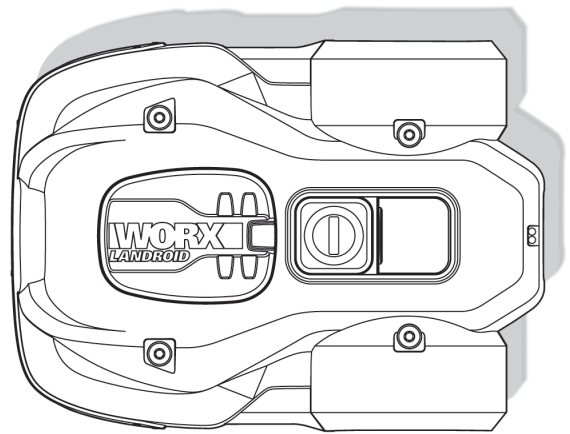
* Source: www.energy.eu

Preparation

In the box



Charging base



Landroid®L



Base retention pegs



Spare blades



Boundary wire reel



Wire pegs



Power cord with AC/DC transformer

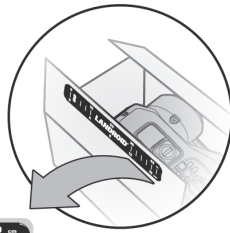


Owner's manual



Installation guide

Distance gauge



Hex key



Programming and trouble shooting guide



Warranty statement

From your shed



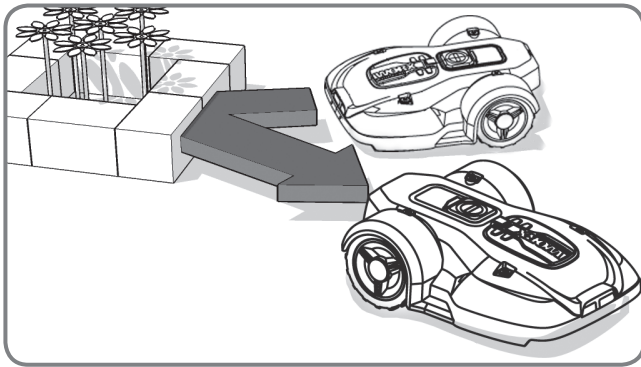
Scissors



Hammer

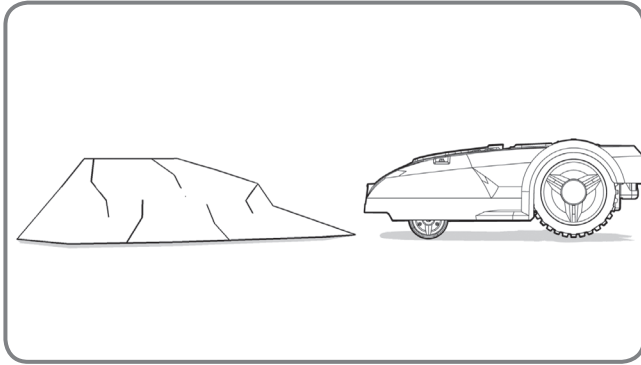
Landroid®L's new home—your garden

Let's start by having a closer look at Landroid®L's new home—your lawn—highlighting the areas where it can safely go and areas it's best for Landroid®L to avoid.



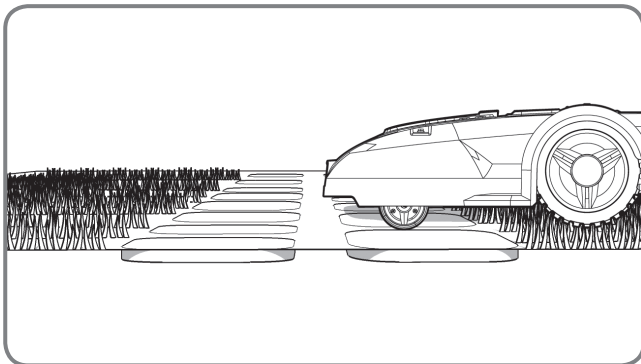
Obstacles that can be hit

When hitting any obstacle that's rigid, stable and taller than 15cm—such as a wall or a fence—your Landroid®L will simply stop and re-direct away from the obstacle.



Stones

Stones that are heavy enough not to be moved by your Landroid®L can be safely hit. However, if any stone has an inclined surface that your Landroid®L can climb, you should either remove it or exclude from the working area.

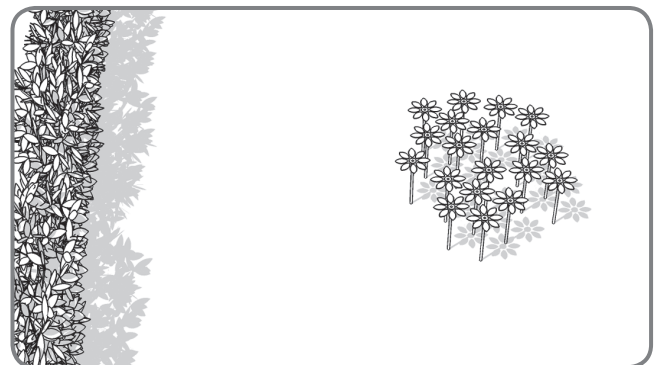
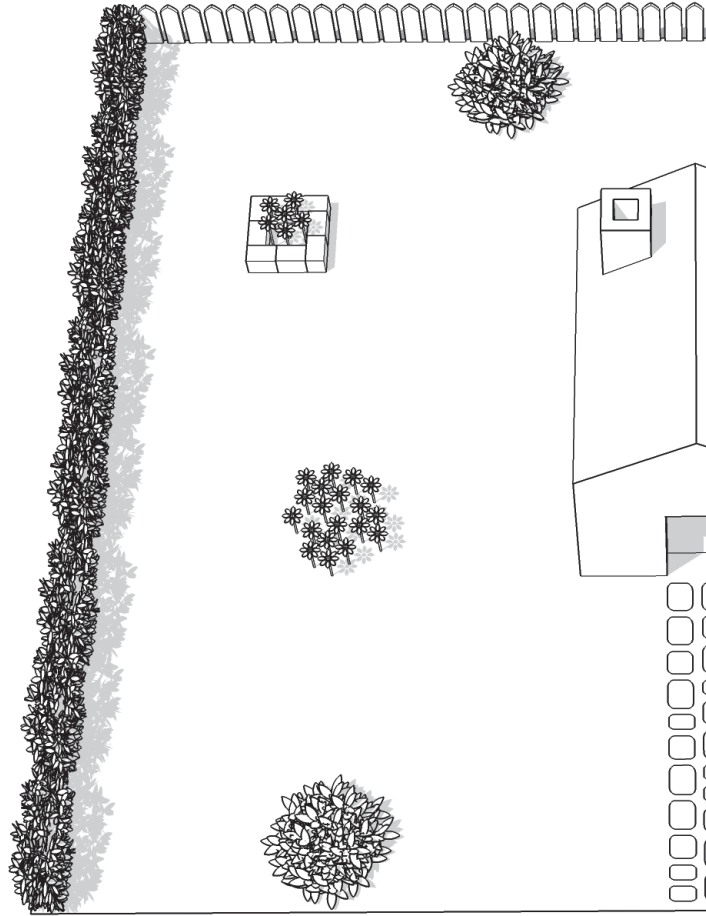


Driveways

If your driveway is level with your lawn, without any protruding surface, the Landroid®L can freely run over it. If you'd like the Landroid®L to avoid it, then only a 10cm* space between the Boundary Wire and the driveway is needed.

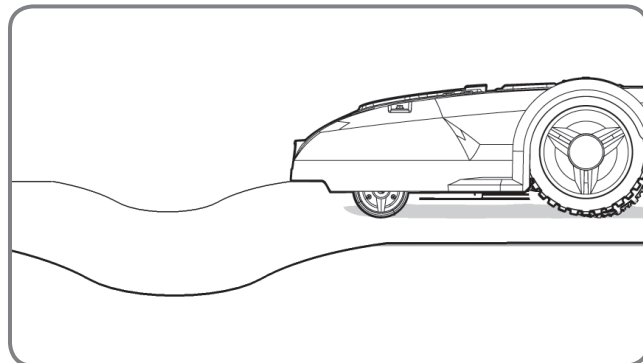
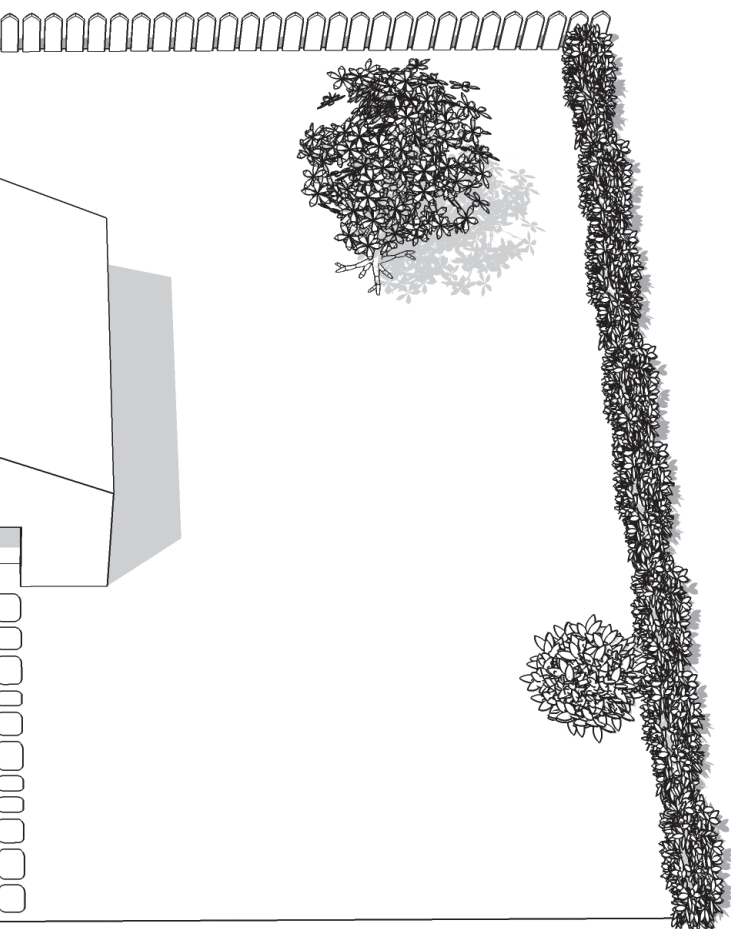
If it's covered with gravel, you should not allow the Landroid®L to travel over it, using the distance gauge in this case, keeping a 45cm* space between the boundary wire and the driveway.

*This is the recommended distance. Use the provided distance gauge to ensure proper installation.



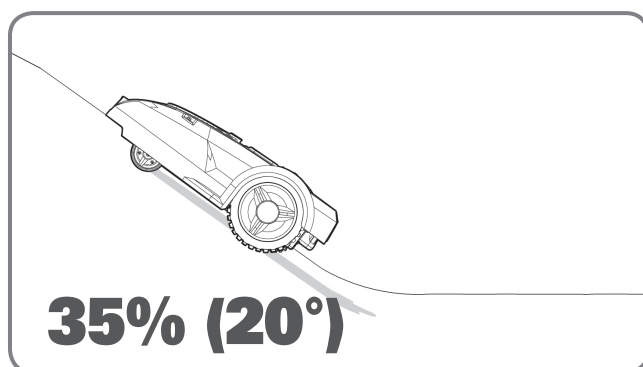
Flowerbeds, ponds, pools...

You certainly don't want your Landroid®L to mow your flowers, or fall into the water. These areas should be avoided.



Depressions and bumps

In the case of large bumps or dips, please consider if the blades could touch the ground; if this is the case, either make the inclines smoother or exclude those areas from your Landroid®L's operation.



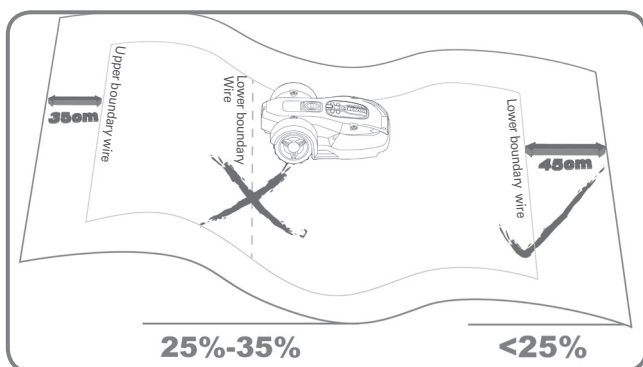
Slopes

Your Landroid®L has the ability to safely climb slopes up to 35% (20°), so just avoid anything steeper than this.



Trees

If there are roots emerging from the ground, this area should be avoided in order not to damage the roots.



Placement of Boundary Wire on slopes

The Upper Boundary Wire should NOT be placed on slopes steeper than 35% (20°). The Upper Boundary Wire should have a distance of at least 35cm between any obstacles. The Lower Boundary Wire should NOT be placed on slopes steeper than 25% (15°). The Lower

Boundary Wire should have a distance of at least 45cm between any obstacles when it is positioned on a slope that is 25%.

Marking out Landroid®L's territory within your garden

Your Landroid®L needs to know where to mow. This is why you have to mark its working area with a boundary wire that will form an invisible fence. This wire will also guide your Landroid®L to its charging base.

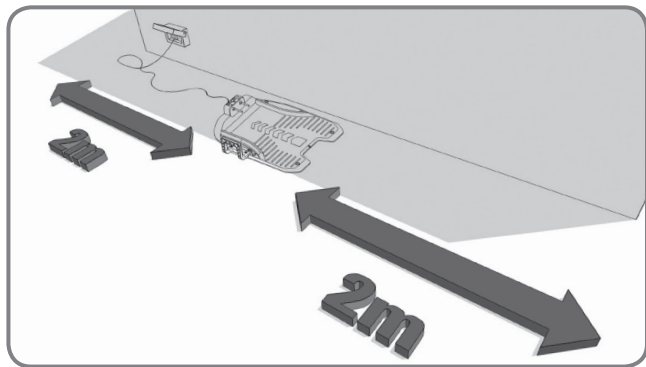
If your neighbor also uses a Landroid®L, then you must keep a space of at least 2 metres between your Boundary Wire and your neighbors.

Please be aware that your Landroid®L will not be able to receive a signal from the Boundary Wire beyond the distance of 25m.

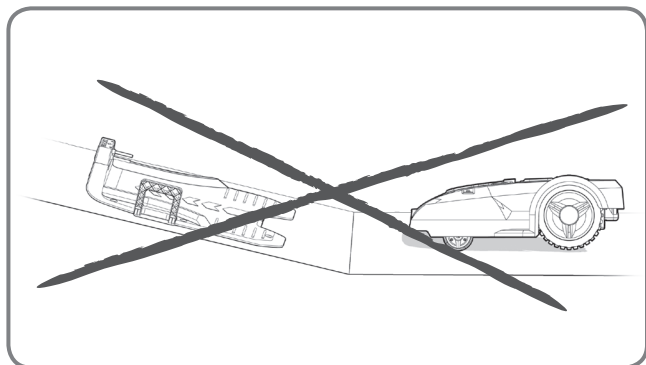
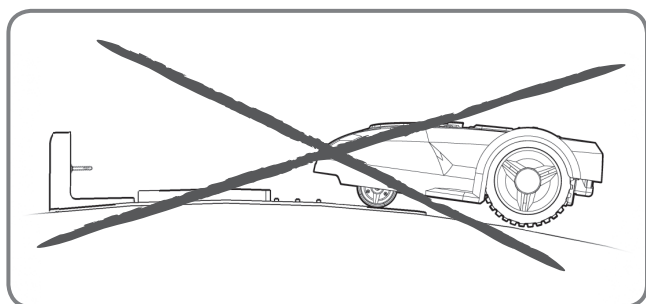
First of all, locate the best spot for the charging base, taking into account where your nearest outdoor electricity socket is.

The charging base has a 15m power cord.

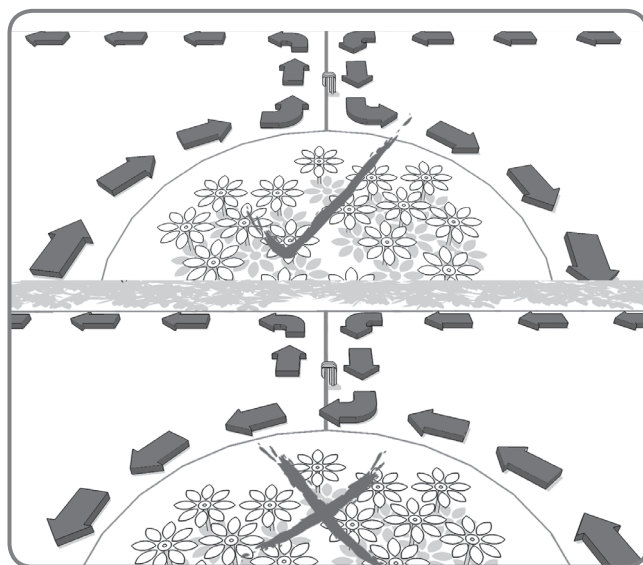
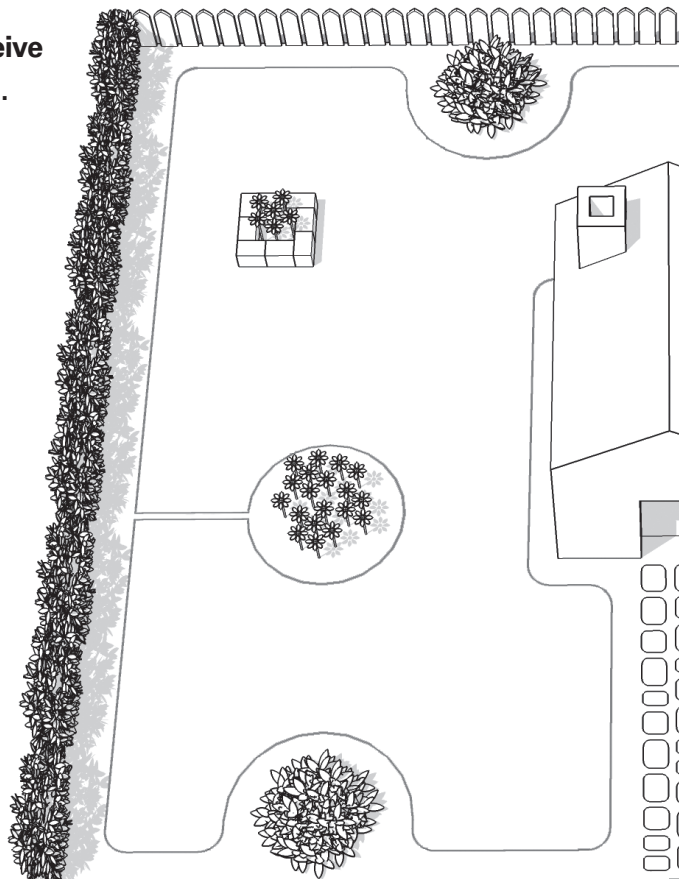
NOTE: Make sure the transformer and the electrical socket are kept in a dry area at all times.



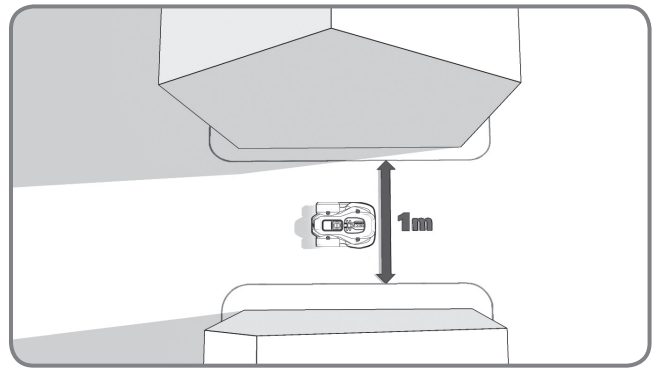
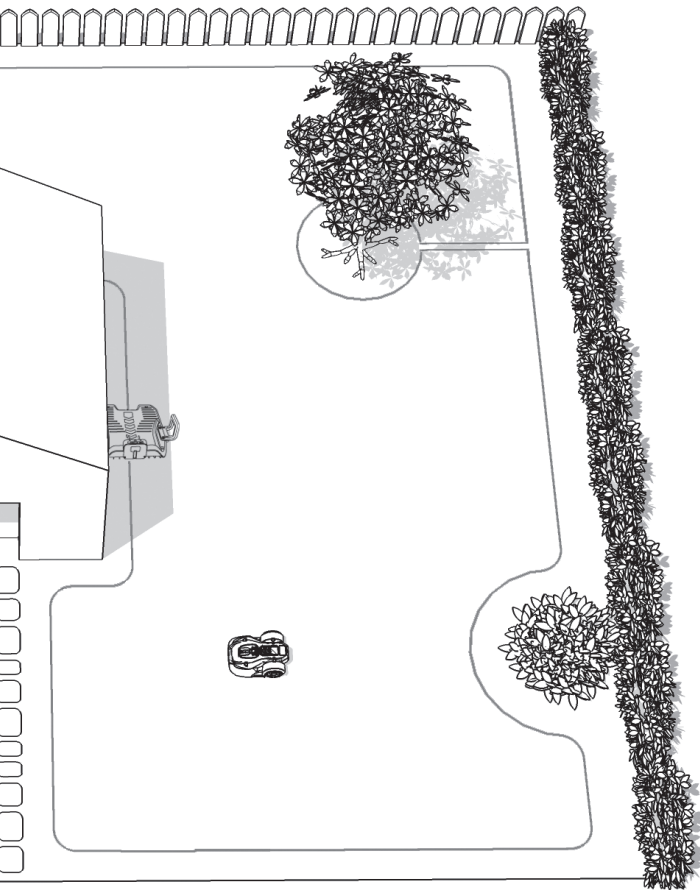
The charging base should be placed along a straight line—allow 2 meters at both the front and the back. If possible, place the charging base in the shade—batteries are better recharged in a cool place.



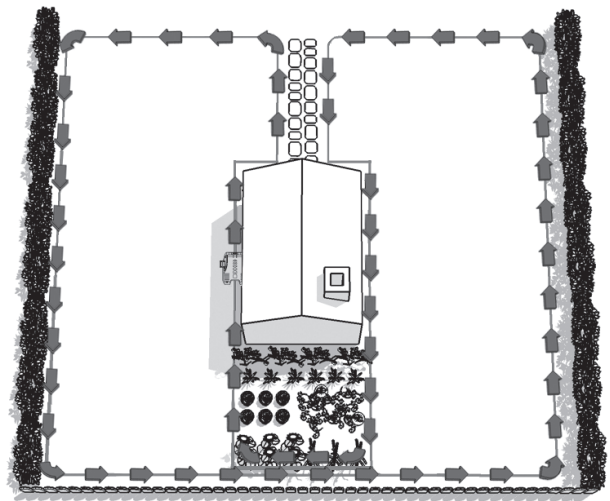
Make sure it is on a flat area, clear of any obstacles.



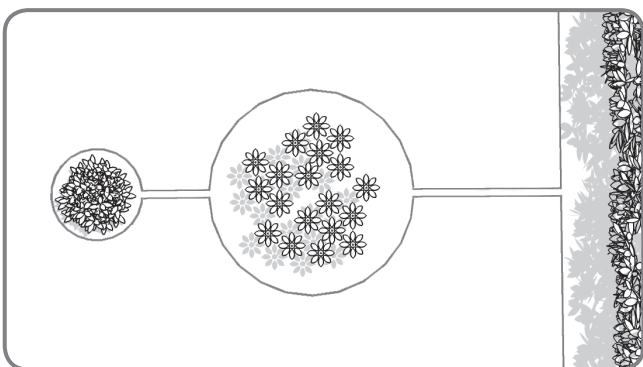
An island is an area that sits inside your lawn where you don't want Landroid®L to go. The boundary wire starts from the mowing boundary, goes straight to the island, around it and back to the boundary as shown by the arrows on the picture.



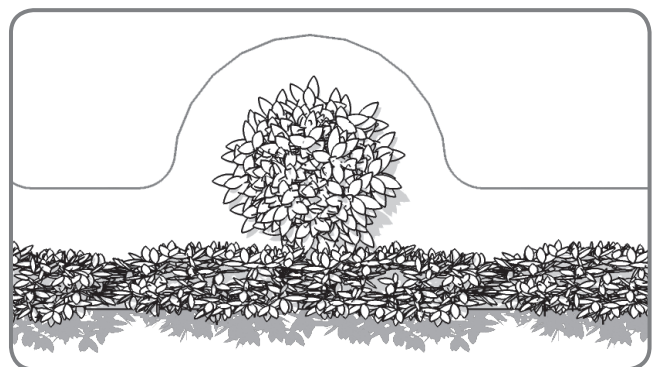
If your lawn has two or more separate areas connected to each other by means of a corridor, this should be at least 1 meters wide.



If your lawns are not connected by a corridor that's wide enough, then you'll have to pick your Landroid®L up and move it to the other lawn. Landroid®L will mow this lawn no problem, but you'll have to bring it back to the charging base when the battery runs out.



In the case of two islands that are close to each other, it would be convenient to lay out the wire as illustrated above. The Landroid®L can travel freely over the boundary wire in between the islands and the mowing boundary.

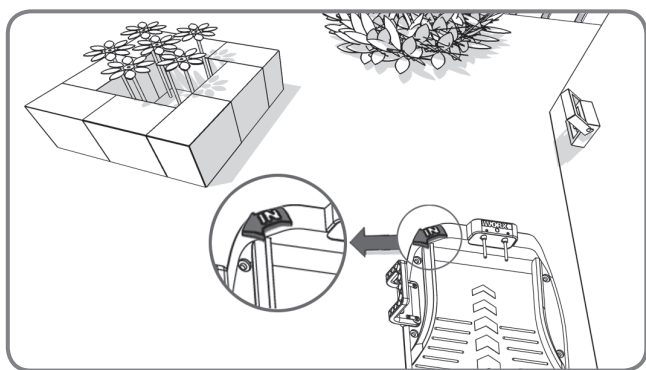


A forbidden area that's close to the mowing boundary should be a part of the boundary itself, as shown in the picture.

Installation

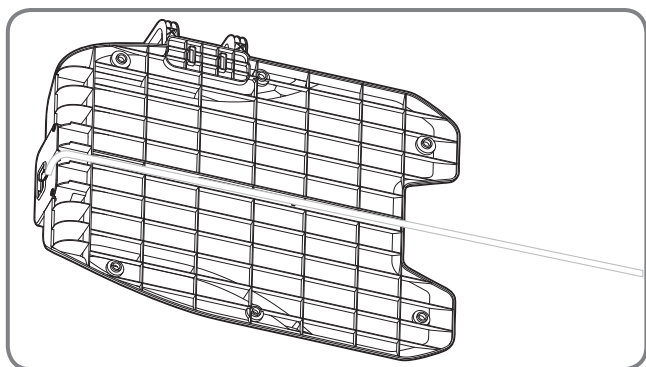
Pegging your boundary wire

We recommend that you first mow the lawn where the wire is to be laid using a normal lawn mower or a grass trimmer. This ensures that the wire is laid as close to the ground as possible so the Landroid®L does not accidentally cut the wire. The boundary wire is powered with a very low voltage so that it is totally safe to human beings and pets.



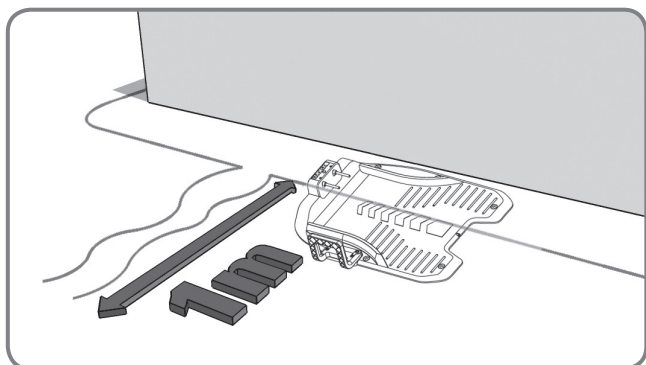
1

Place the Charging Base in its designated spot, without fixing it permanently. The "IN" arrow should be oriented so that it indicates the inside of your lawn.



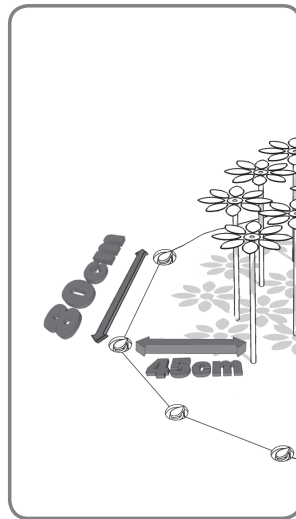
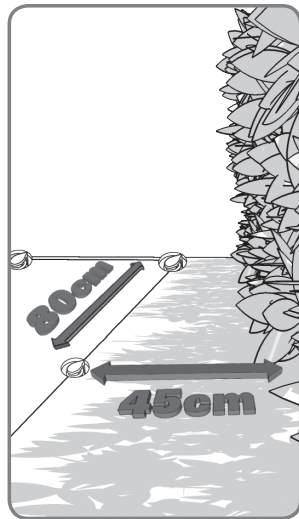
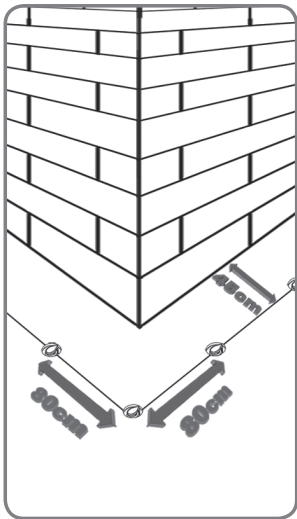
2

Feed the boundary wire through the tunnel underneath the charging base.



3

Leaving about 1 meter in length of extra wire, start from the rear of your charging base and begin pegging the wire along the boundary. When you've finished laying the wire along the boundary back to the charging base, leave another meter of extra wire and then cut it.

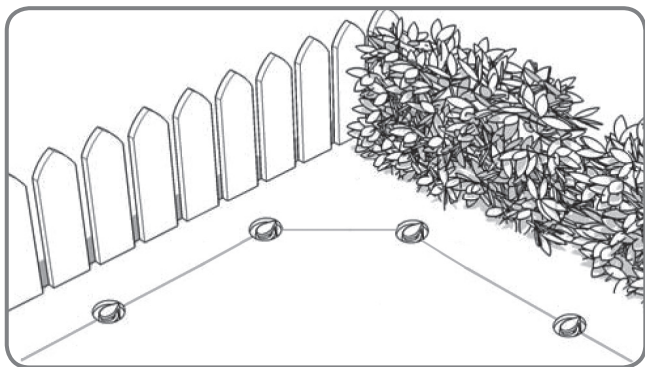
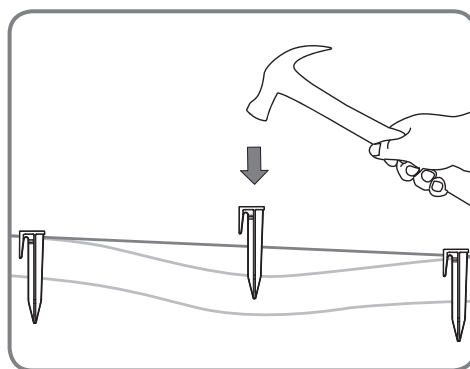
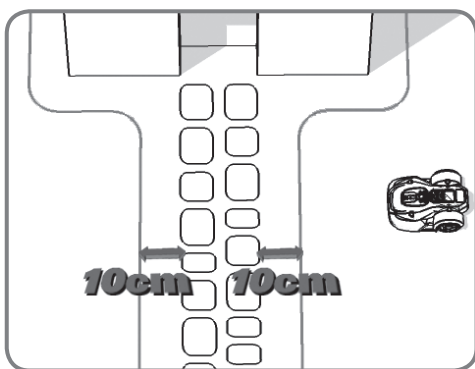


4

When laying the boundary wire, use the distance gauge to keep a 45cm* space between the wire and the boundary. However, in the case of an obstacle that is level with ground and safe for the Landroid®L to run over, such as a driveway or sidewalk, then only a 10cm* space is needed.

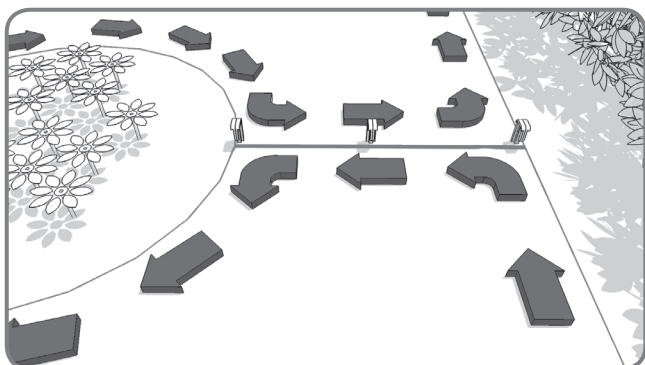
Each boundary peg should be placed around 80cm apart. Knock the boundary pegs tight to the ground with the help of the hammer, although avoid putting too much pressure on the wire. Keep the boundary wire straight and tight between the pegs, there should not be any slack wire.

* This is the recommended distance. Use the provided distance gauge to ensure proper installation.



5

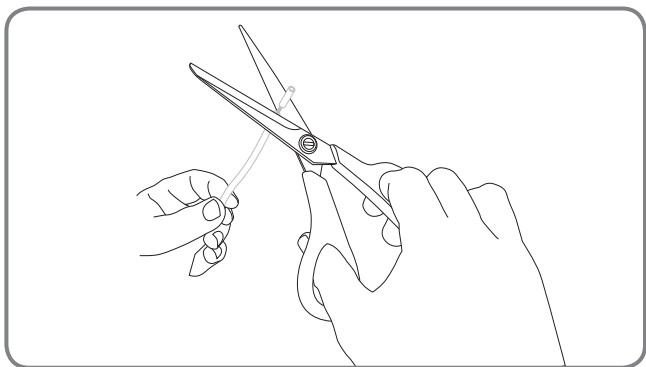
Ensure the Boundary Wire is perfectly straight in each corner.



6

When making an island with the boundary wire, follow the path as shown. The wire should run from the perimeter to outline the defined island and then return back to the perimeter. The boundary wire in between the island and perimeter should be laid close together and held in place by the same boundary peg. During operation, the Landroid®L will be able to freely pass over this part of the wire.

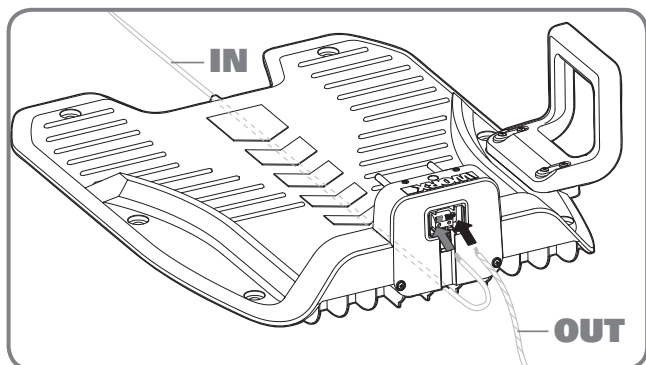
Connect the base to the boundary wire



1

Cut the two ends of the wire to a length that's appropriate convenient for reaching the clamps.

Strip the two ends of the wire.



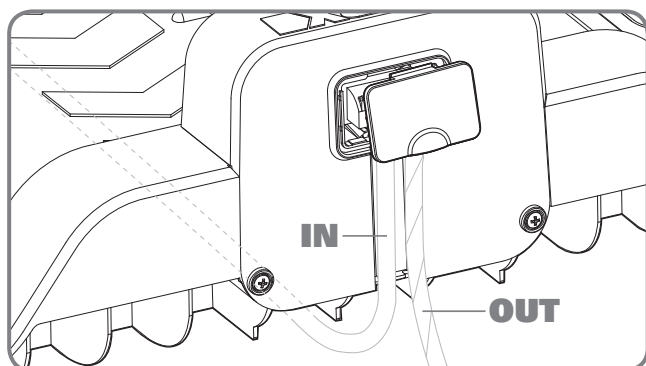
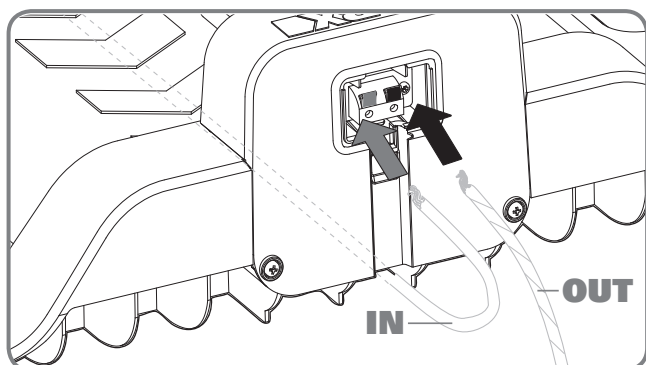
2

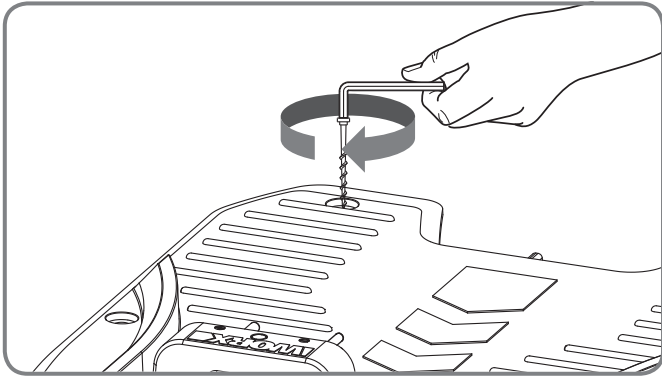
When connecting to the charging base there will be an IN-wire and an OUT-wire, as shown. Connect the IN-wire to the red clamp of the charging base and the OUT-wire to the black clamp.

Then close the cover.

12

EN

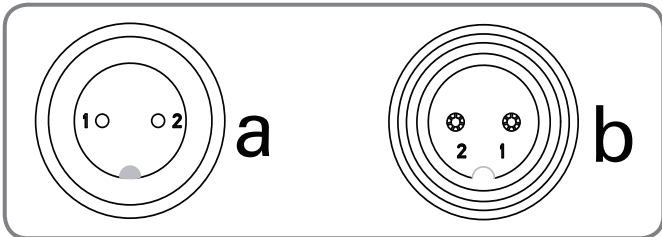




3

You can now permanently fix the charging base on the ground by tightening the supplied Base Retention Pegs with the supplied Hex key.

NOTE: Make sure the IN-wire is running straight through the tunnel underneath the charging base.



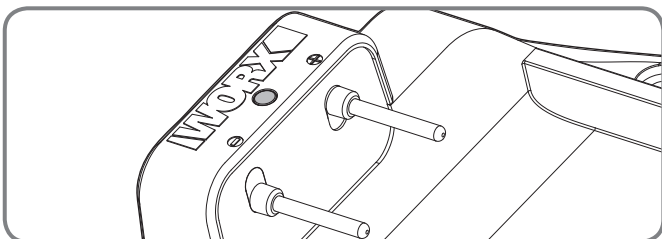
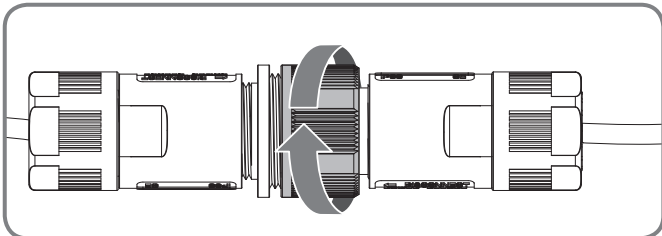
4

Connect the power cord to the transformer and then to the AC electrical socket, the LED on the charging base will turn on. If the LED is off, please refer to the Trouble shooting guide. When connecting, align the notch on the power cord connector (a) with the groove on the transformer connector (b).

Make sure to only screw or unscrew the highlighted piece of the connector.

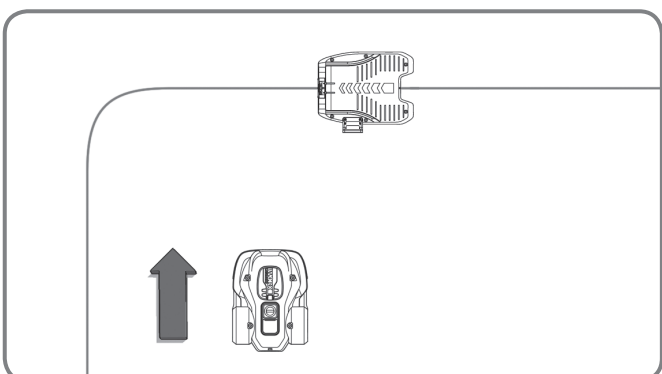
If the green light does not come on, then check the power connections.

In case the power cord is within the working area, you may bury it as needed.



Turn on and test the installation


This is the exciting part where you can turn your Landroid®L on for the first time.

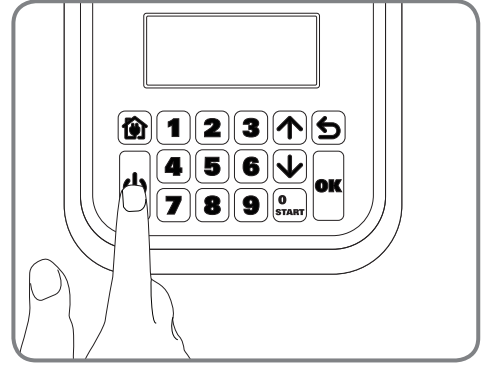
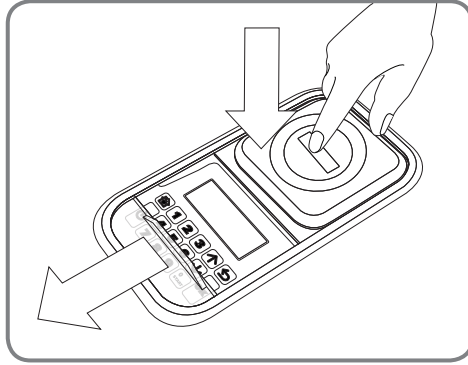



1

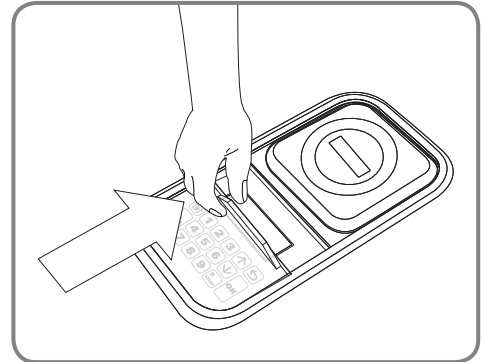
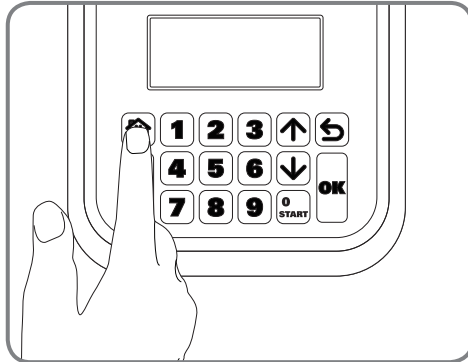
Place your Landroid®L inside the working area, a few meters from the back of the charging base.

2

Open the keypad window by pressing the large red button on the top of your Landroid®L.
Press and hold down the Power ON/OFF  key until the Landroid®L turns on.
Input the default PIN 0000




Press the  key and close the keypad window: your Landroid®L will now find its way to the charging base. Watch the Landroid®L as it returns to the charging base and modify the positioning of the boundary wire if necessary. When the Landroid®L successfully returns to the charging base, this means the installation has been successfully completed! Now your Landroid®L will start to fully charge.



NOTE: If your Landroid®L is in the charging base during a time you have programmed it to mow, then simply press the STOP button and close keypad window to send it back to mowing.



Warning

- If your Landroid®L is outside its territory, it will not move and the display will indicate **“outside working area”** error. Just move it inside its territory and repeat step 2.
- If your Landroid®L is inside its territory but the display says **“outside working area”**, and the LED is on, it means you clamped the boundary wire ends incorrectly. Just reverse them.
- Your Landroid®L should always remain switched on. If you ever need to turn it off, then make sure you place it within its boundary area before you switching it back on again.
- Should your Landroid®L stop operating unexpectedly, just press the STOP button, open its keypad window, press its ON/OFF key to ON, correct the problems, press  button, close its keypad window.

NOTE: Please refer to the Programming and Troubleshooting Guide for more information.

Programming

Having finished the installation, it is now time to program the Landroid®L when you want it to go to work by using the keypad display shown below. Please refer to the Programming and Troubleshooting Guide included in the packaging.

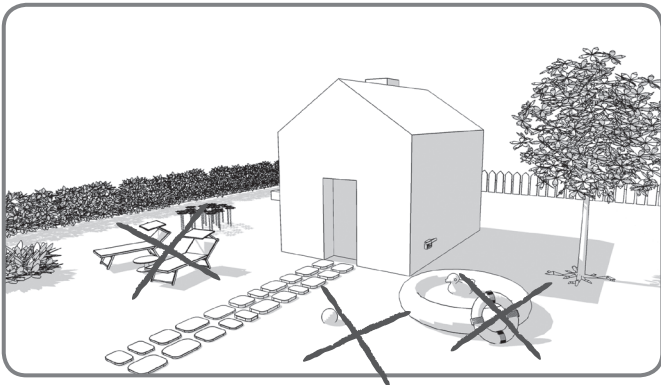


Ready to go?

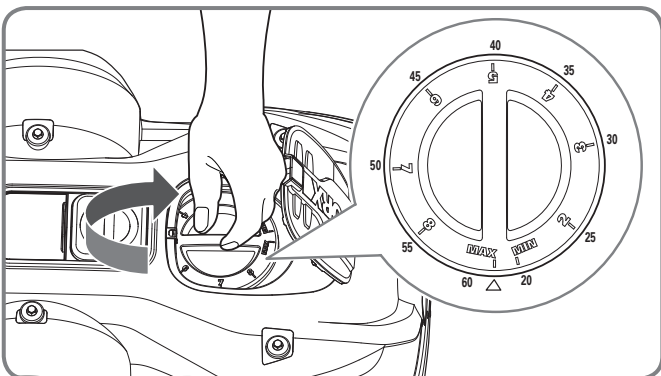
The Landroid®L is designed for maintaining your grass at a perfect length during the season, but is not designed for deforesting a jungle.

Before starting it for the first time,

1. You should mow your lawn to the desired height.
2. Make sure the operating area is clear from objects such as toys and branches...



3. Adjust the cutting height to its maximum level for the first mow and then adjust to your preferred lawn grass height.



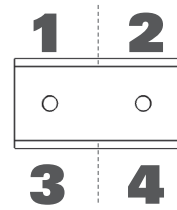
Next Spring, let your Landroid®L start mowing early, when the grass is still short, so that you can avoid a preliminary grass cut.

Keep it sharp



Always wear gloves when adjusting the blades.

The Landroid®L does not cut grass like other mowers. Its Blades are razor sharp on all 4 edges and spin in both directions for maximum cutting capacity. Each blade of your Landroid®L has 4 cutting edges. Depending on the frequency the Landroid®L mows your lawn, the cutting blades will need to be flipped/rotated periodically for a new cutting edge. If your Landroid®L is programmed to mow the lawn every day then the cutting blades will need to be rotated monthly for the best mowing results. Each cutting blade will last up to 4 months when it is programmed to mow every day. When the cutting blades are dull and worn out, they should be replaced with the spare blades provided with your Landroid®L. Spare blades are also available at your nearest WORX retailer



Maintenance

Your Landroid®L is engineered and built to stay outdoor regardless of adverse conditions. Just periodically clean its deck from grass clipping build ups and your Landroid®L will mow for you trouble-free, year after year, season after season. Don't wash the machine with high pressure squirt gun. This may cause damage of the battery or the machine.

Winter storage

Even though it is tough, we would recommend that you store your Landroid®L in your shed or garage during the Winter. Before storing it, give your Landroid®L a full recharge that will preserve its battery from damage. You can then disconnect the plug of the charging base. A good tip to prolong the life of the battery is to periodically re-charge it during the Winter. A full charge every 3 months will be fine. We'd also suggest that you cover the base with a nylon sheet in Winter time.

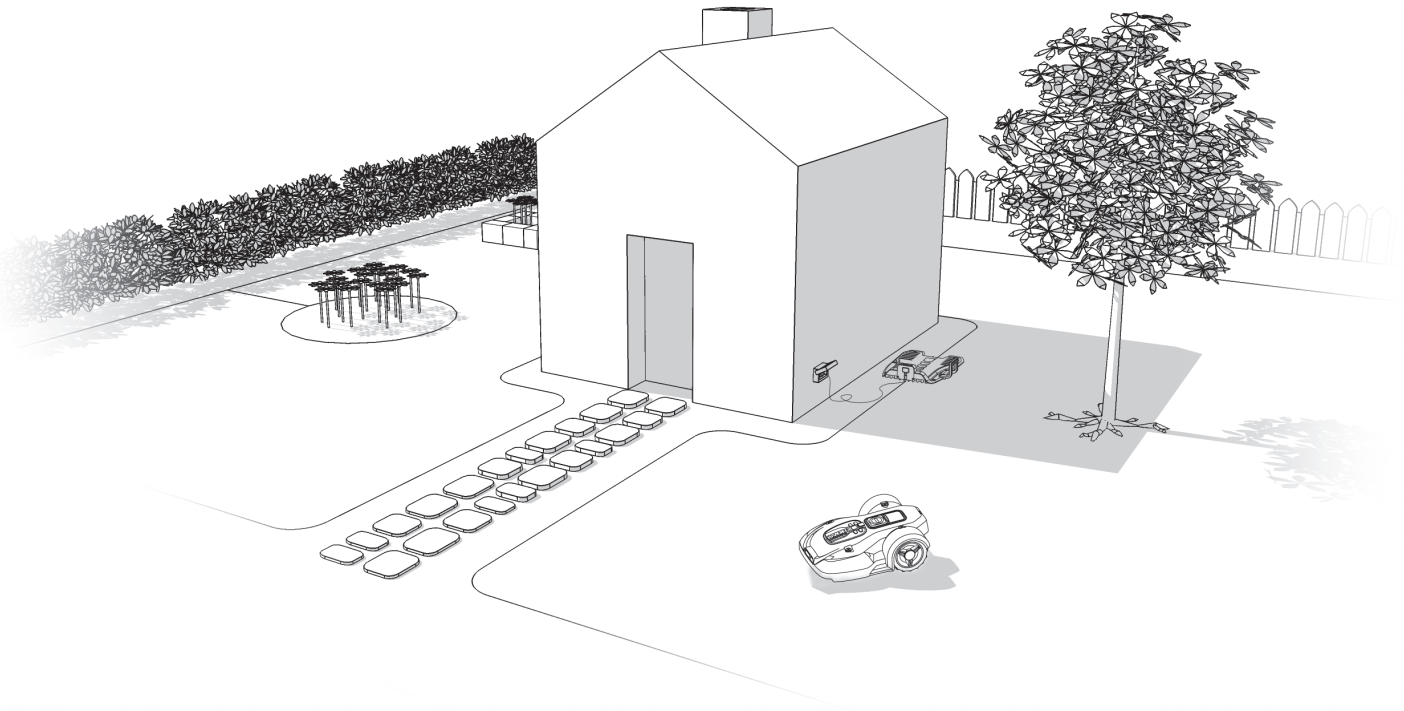
Safety

Your Landroid®L is safe to human beings and pets. First of all, there's a large clearance between the outer border of the machine and the blade. Moreover, the tilt sensors will instantly stop the blades if the unit is lifted from the ground.

Security

Your Landroid®L is protected by a PIN code. This PIN code prevents unauthorised people from being able to use it. Once it's taken outside its territory, it will not be possible to re-start it by anyone who does not know the PIN code. This also means that you will not able to start your Landroid®L if you forget your PIN code! We strongly recommend that you write your PIN code here for future reference. Even better, register your Landroid®L online at www.worxlandroid.com and record your PIN code there. You'll be able to access your PIN code online any time.

Write your PIN code here



So installieren Sie Ihren Landroid®L

18

D

Die Installation des Landroid®L ist ganz einfach. Je nach Größe Ihres Gartens nimmt der ganze Vorgang nur kurze Zeit in Anspruch. Wahrscheinlich lassen Sie es so wie wir, Ihre kostbare Freizeit damit zu vergeuden, den Rasen zu mähen. Der Landroid®L wird garantiert Ihre beste Investition sein, da Sie nun nie mehr den Rasen selbst mähen müssen.

Sie können das Demo-Video zur Installation unter www.worxlandroid.com ansehen.

Der Landroid®L liebt das Mähen

Er ist zum häufigen Mähen bestimmt – er hält Ihren Rasen gesund und dieser wird gepflegter aussehen als je zuvor. Je nach Größe des Rasens kann der Landroid®L so programmiert werden, dass er zu jeder beliebigen Zeit und mit jeder beliebigen Frequenz uneingeschränkt arbeitet. Er ist dazu da, für Sie zu arbeiten.

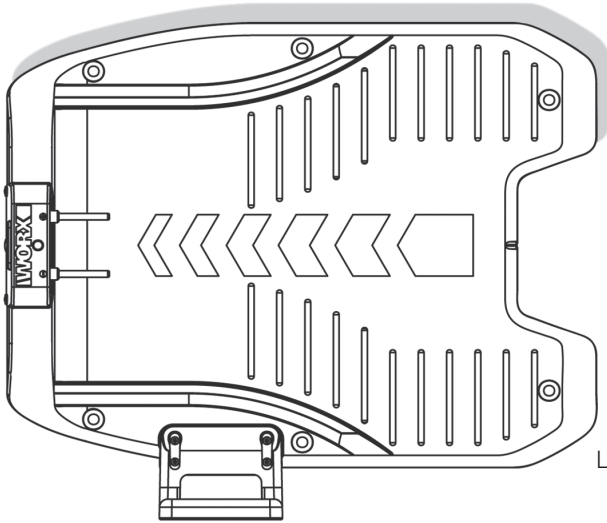
Betriebskosten

Sie sorgen sich wegen der Stromrechnung? Rechnen wir das doch einmal durch: Wenn Sie Ihren Landroid®L 3 Stunden pro Tag, 5 Tage pro Woche, 25 Wochen pro Jahr arbeiten lassen, kostet Sie das etwa 8 euro an Strom*. Ja, 8 euro pro Jahr. Ein Bruchteil dessen, was Sie an Benzin für Ihren lauten, schmutzigen Motormäher ausgeben müssten.

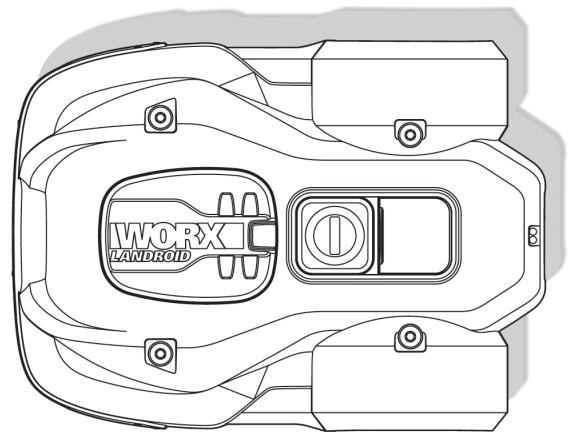
* Quelle: www.energy.eu

Vorbereitung

Im Lieferumfang



Ladebasis



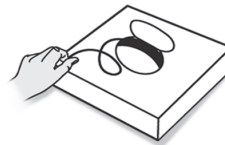
Landroid®L



Basis-Haltenägel



Ersatzmesser



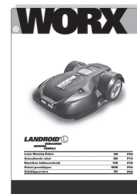
Begrenzungskabelrolle



Begrenzungsnägel



Netzkabel mit Netzteil

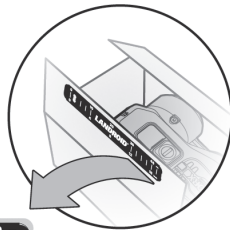


Bedienungsanleitung



Installationsanleitung

Begrenzungskabel-
Abstandlehre



Schraubenschlüssel



Programmierungs- und
Problemlösungsanleitung



Garantieerklärung

Aus Ihrem Schuppen



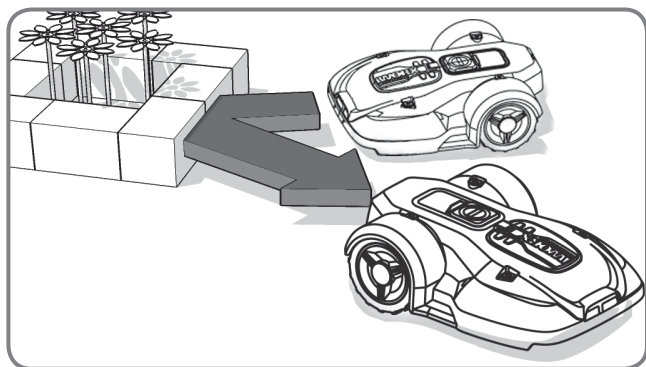
Schere



Hammer

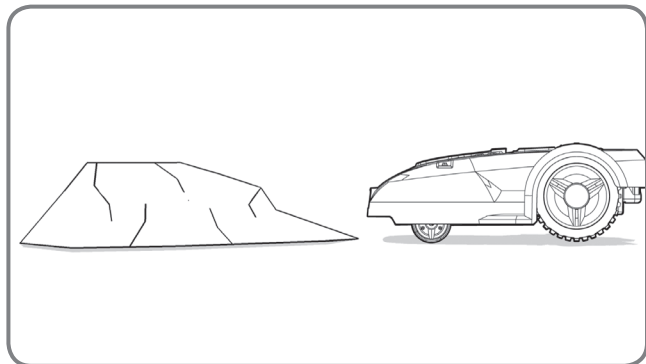
Landroid®L's NEUES ZUHAUSE - IHR GARTEN

Lassen Sie uns zunächst einen Blick auf das neue Zuhause Ihres Landroid®L werfen: Ihren Garten. Betrachten wir uns insbesondere die Stellen, die der Landroid®L problemlos befahren kann – und welche er besser meiden sollte.



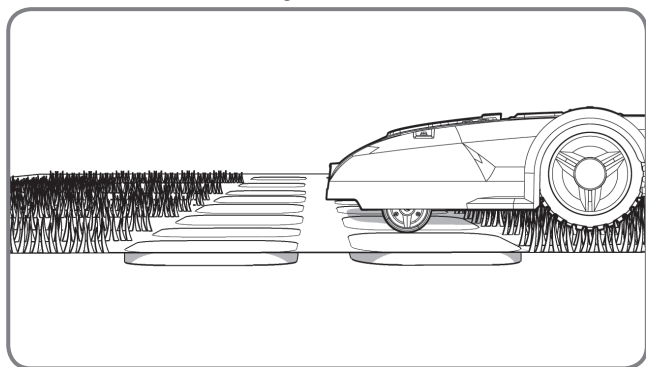
Hindernisse, die zu Kollisionen einladen

Bei festen, stabilen Hindernissen, die höher als 15 cm sind (wie Mauern oder Zäune) hält Ihr Landroid®L einfach an und fährt in eine andere Richtung.



Steine

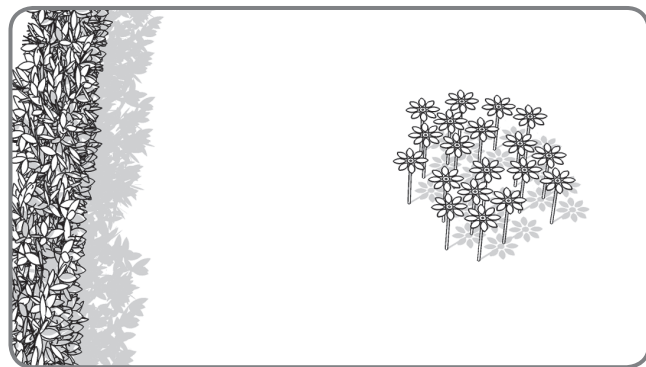
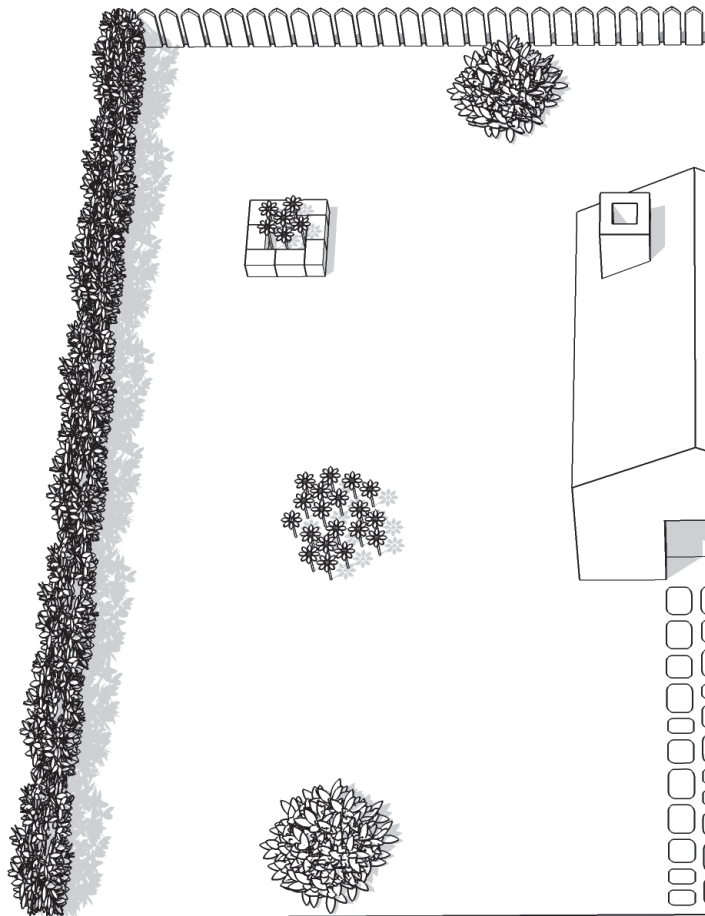
Steine, die so schwer sind, dass sie nicht vom Landroid®L umgeworfen oder verschoben werden können, sind kein Problem. Falls Steine aber wie eine Rampe wirken und den Landroid®L zum Klettern verleiten könnten, sollten diese entweder entfernt oder aus dem Arbeitsbereich ausgeschlossen werden.



Zufahrten und Fahrwege

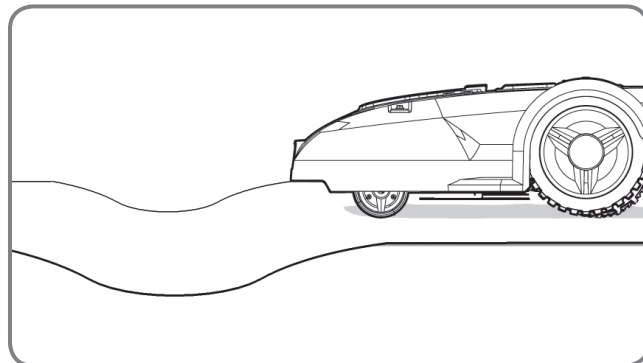
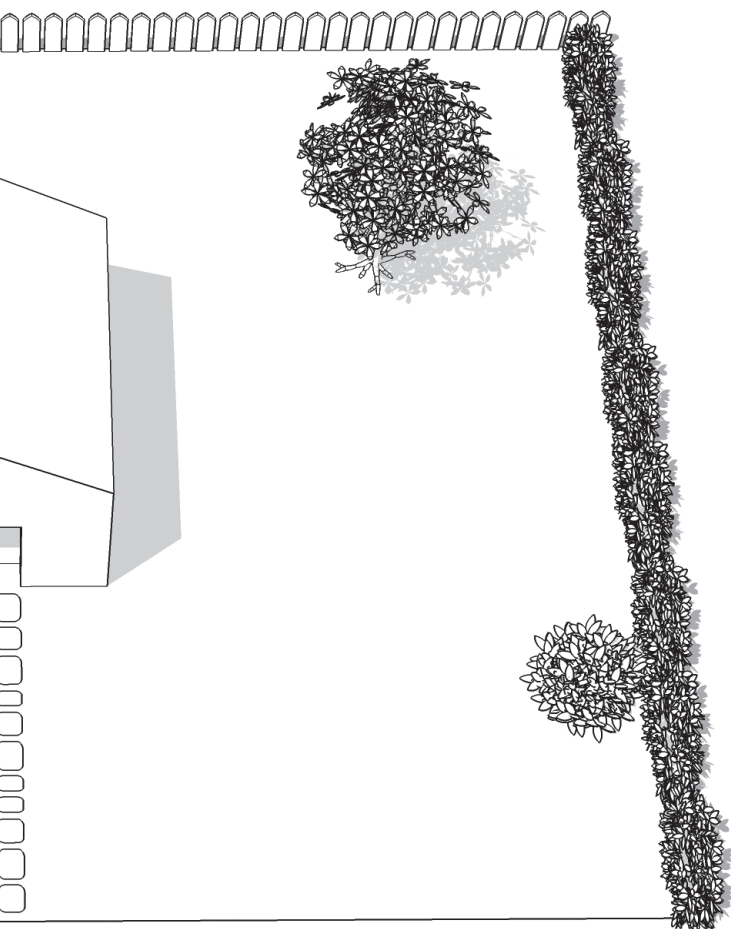
Wenn Ihre Zufahrt auf einer Ebene mit dem Rasen liegt, also nicht darüber hinaus ragt, kann sie vom Landroid®L problemlos überfahren werden. Wenn Sie wollen, dass der Landroid®L Ihre Einfahrt vermeidet, benötigen Sie nur einen Zwischenraum von 10cm* zwischen dem Begrenzungsdraht und der Einfahrt. Mit Kies bedeckte Zufahrten sollten nicht vom Landroid®L überfahren werden, wobei ein Zwischenraum von 45 cm* zwischen dem Begrenzungsdraht und der Einfahrt eingehalten werden soll.

* Dies ist ein empfohlener Abstand, Sorgen Sie mit der mitgelieferten Abstandlehre für die richtigen Entfernungen.



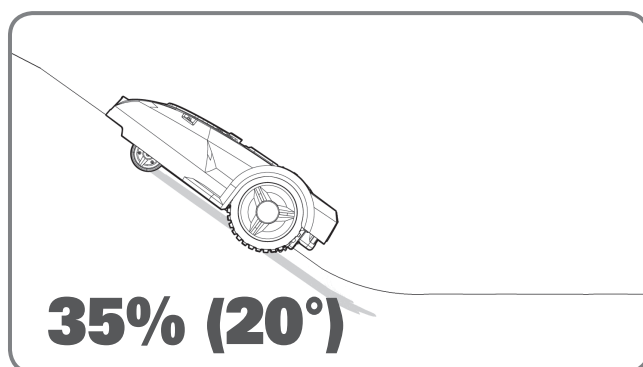
Blumenbeete, Teiche, Pools...

Sie möchten ganz bestimmt nicht, dass Ihr Landroid®L die Blumen mäht oder ein Vollbad nimmt. Daher sollten solche Stellen gemieden werden.



Senken und Buckel

Bei großen Senken oder Buckeln sollten Sie abschätzen, ob die Messer den Boden berühren können. Falls dies der Fall ist, können Sie die Boden­neigung entweder verflachen oder solche Stellen für den Landroid®L zum Sperrgebiet erklären.



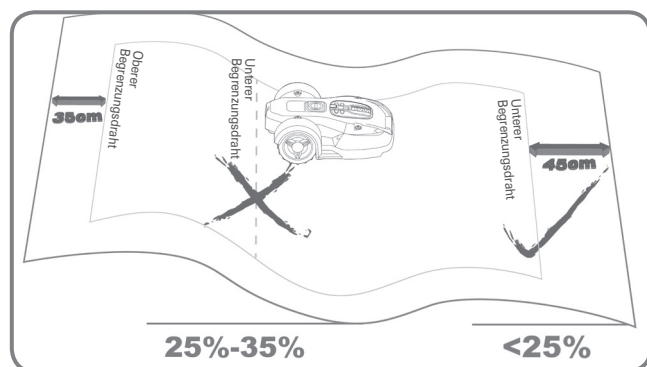
Steigungen

Ihr Landroid®L bewältigt Steigungen bis 20° problemlos; meiden Sie daher einfach alles, was steiler ist.



Bäume

Falls aber Wurzeln aus dem Boden ragen, sollte der Landroid®L solche Stellen meiden, damit die Wurzeln nicht geschädigt werden.



Verlegung des Begrenzungsdrahtes auf Steigungen

Der obere Begrenzungsdraht sollte NICHT auf Gefällen verlegt werden, die 35% (20°) überschreiten. Der Abstand zwischen dem oberen Begrenzungsdraht und etwaigen Hindernissen sollte mindestens 35cm betragen. Der untere Begrenzungsdraht sollte NICHT auf Gefällen verlegt werden, die 25% (15°) überschreiten. Der Abstand zwischen dem unteren Begrenzungsdraht und etwaigen Hindernissen sollte mindestens 45 cm betragen, wenn er auf einer 25%igen Steigung verlegt wird.

Arbeitsbereich im Garten markieren

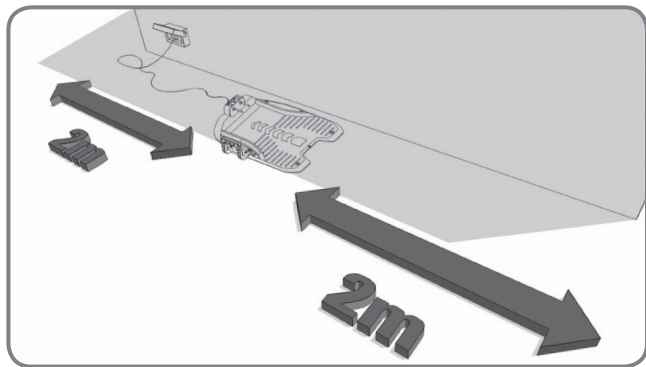
In Landroid®L muss wissen, wo er arbeiten soll. Daher müssen Sie seinen Arbeitsbereich mit einem Begrenzungskabel markieren, das wie ein unsichtbarer Zaun wirkt. Dieses Kabel leitet Ihren Landroid®L auch zurück zu seiner Ladebasis.

Falls Ihr Nachbar auch einen Landroid®L benutzt, müssen Sie zwischen Ihrem Begrenzungsdraht und dem des Nachbarn einen Abstand von mindestens 2 Metern halten.

Bitte achten Sie darauf, dass Ihr Landroid®L kein Signal vom Begrenzungsdraht jenseits eines Abstands von 25m erhält.

Zu allererst wählen Sie die richtige Stelle für die Ladebasis aus; dabei sollte natürlich eine Steckdose in der Nähe sein. Das Netzkabel der Ladebasis ist 15 Metern lang.

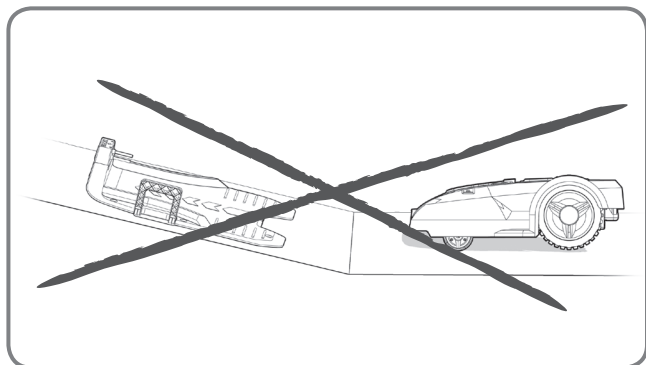
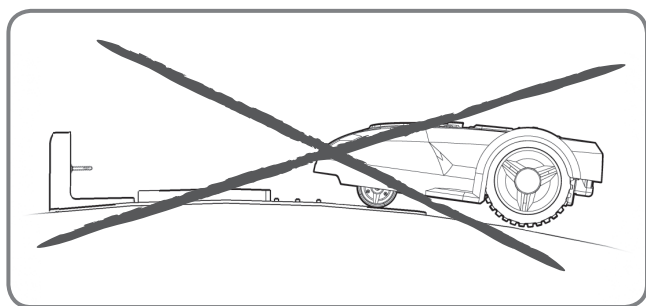
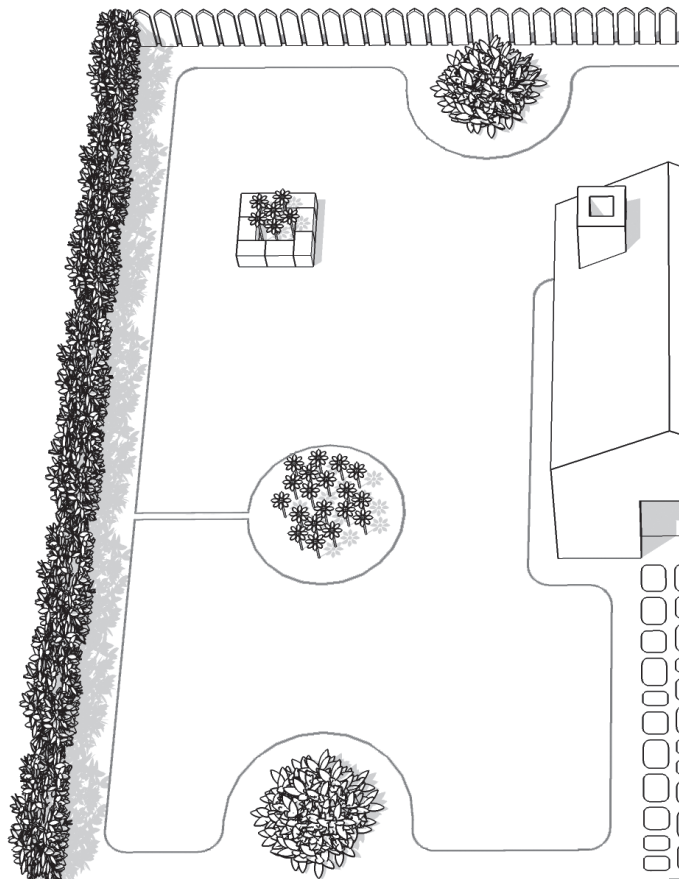
HINWEIS: Stellen Sie sicher, dass sich der Transformator und die Elektrosteckdose stets in einem trockenen Bereich befinden.



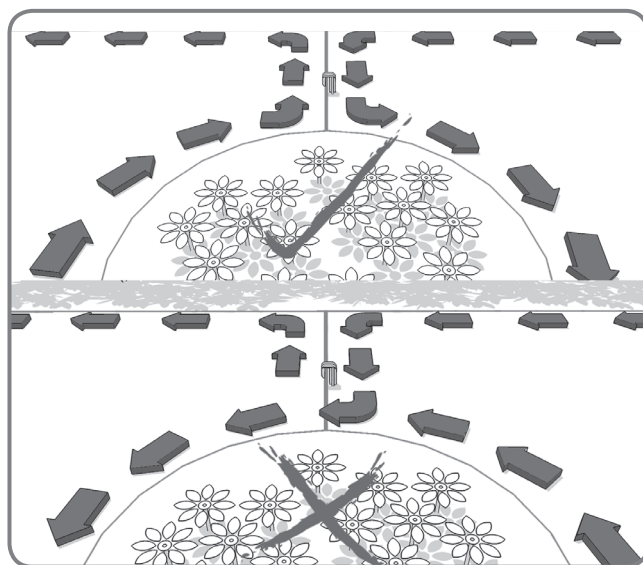
22

D

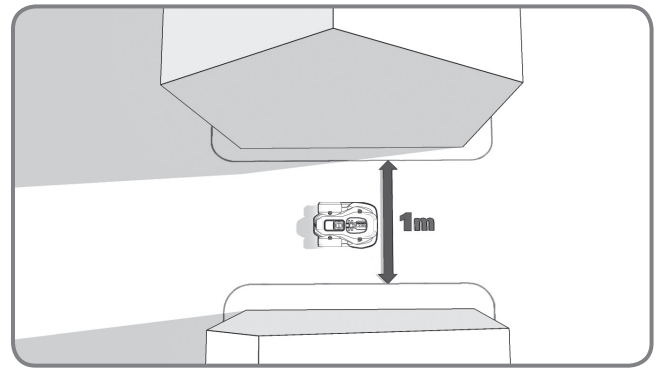
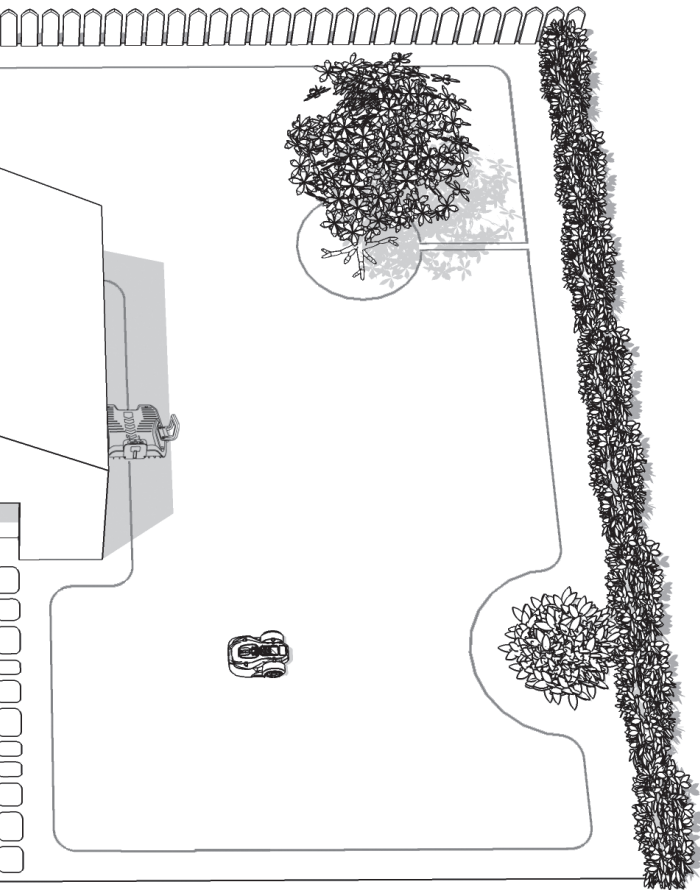
Vor und hinter der Ladebasis sollten jeweils 2 m frei bleiben. Stellen Sie die Ladebasis wenn möglich im Schatten auf – Akkus lassen sich am besten an einem kühlen Ort aufladen.



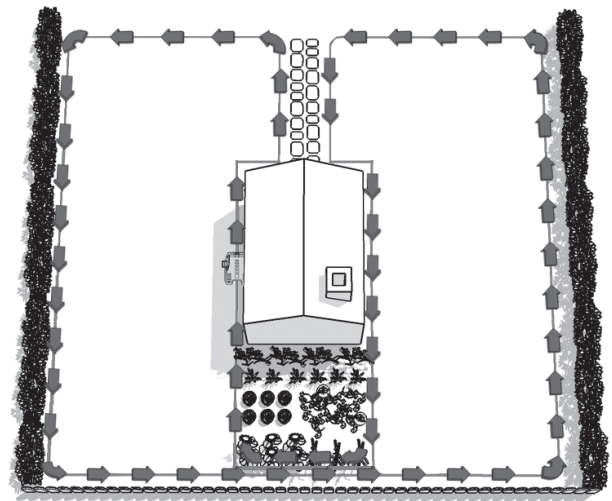
Achten Sie auf eine flache Stelle ohne jegliche Hindernisse.



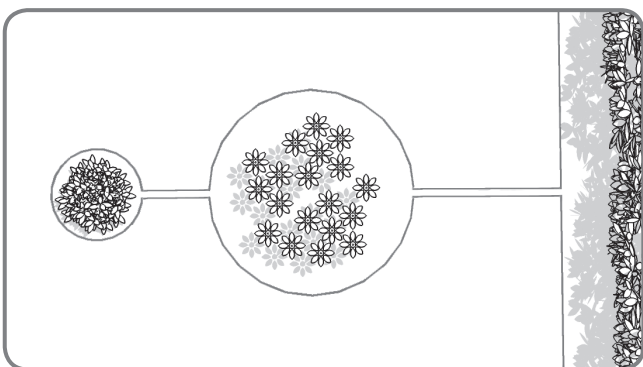
Eine Insel ist ein Bereich Ihres Rasens, die der Landroid®L nicht befahren soll. Der Begrenzungsdraht beginnt an der Mähgrenze, verläuft dann gerade zur Insel, um sie herum und dann zurück zum Rand, wie es die Pfeile in der Abbildung anzeigen.



Falls Ihr Rasen aus mehreren getrennten, aber miteinander verbundenen Flächen besteht, sollte der Korridor dazwischen mindestens 1 m breit sein.

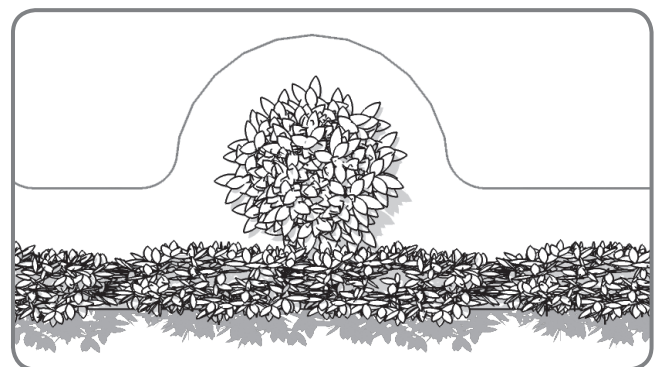


Falls der Verbindungsweg zwischen Ihren Rasenflächen nicht breit genug sein sollte, müssen Sie Ihren Landroid®L aufheben und auf den zweiten Rasen setzen. Der Landroid®L mäht diesen Rasen mühelos; allerdings müssen Sie ihn wieder zu seiner Ladebasis zurückbringen, wenn ihm die Energie ausgeht.



Bei zwei nahe beieinander liegenden Inseln ist es sinnvoll, das Kabel wie oben gezeigt zu verlegen.

Der Landroid®L kann sich frei über das Begrenzungskabel zwischen Insel und Mähgrenze bewegen.

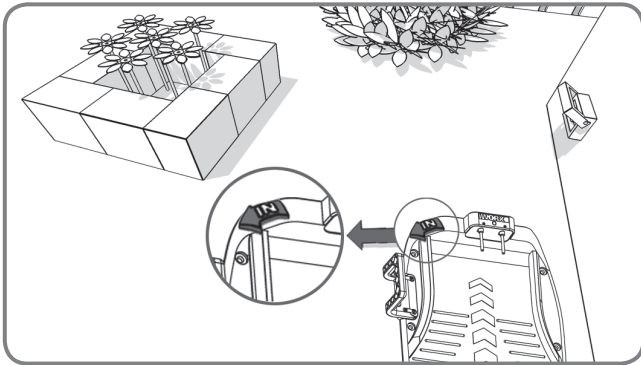


Ein gesperrter Bereich, der sich nahe an der Mähgrenze befindet, sollte selbst Teil der Grenze sein, siehe Abbildung.

Installation

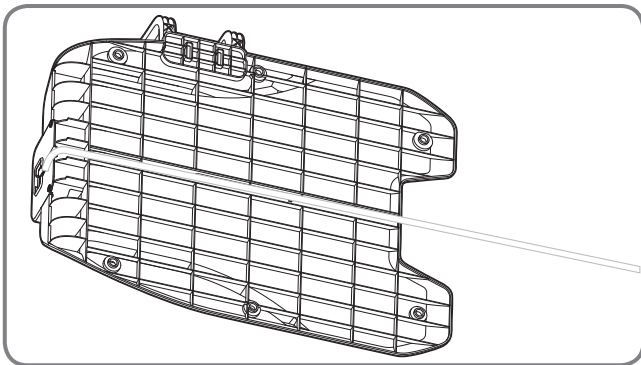
Begrenzungskabel abstecken

Wir empfehlen, zunächst die Stellen des Rasens, an denen das Begrenzungskabel verlegt werden soll, mit einem normalen Rasenmäher oder einem Trimmer zu mähen oder zu kürzen. Dadurch kann das Kabel so nahe wie möglich am Boden verlegt werden, damit es vom Landroid®L nicht aus Versehen zerschnitten wird. Das Begrenzungskabel führt nur eine sehr niedrige Spannung, stellt daher absolut keine Gefahr für Menschen oder Tiere dar.



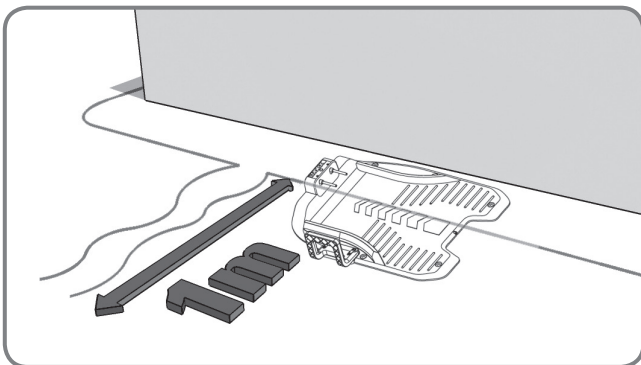
1

Stellen Sie die Ladestation zunächst provisorisch an der gewünschten Stelle auf; noch nicht fixieren. Der „IN“-Pfeil sollte dabei zum Rasen zeigen.



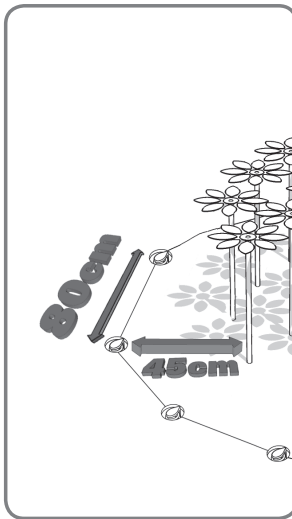
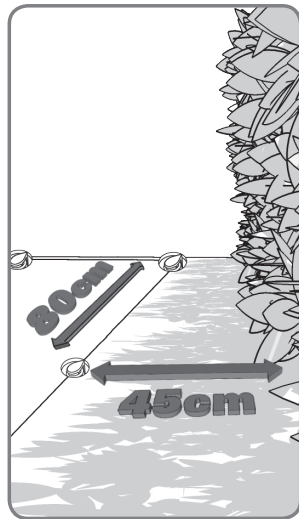
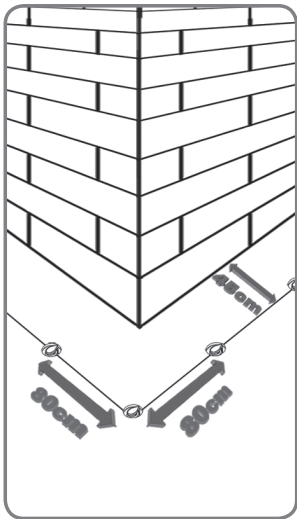
2

Verlegen Sie den Begrenzungsdraht durch das Tunnel unter der Ladestation.



3

Lassen Sie etwa einen Meter Extradraht übrig und fangen Sie von der Rückseite der Ladestation aus an, den Draht der Begrenzung entlang festzupflocken. Wenn Sie mit dem Verlegen des Drahtes entlang der Begrenzung zurück zur Ladestation fertig sind, lassen Sie nochmals einen Meter Extradraht übrig und schneiden Sie dann den Draht ab.



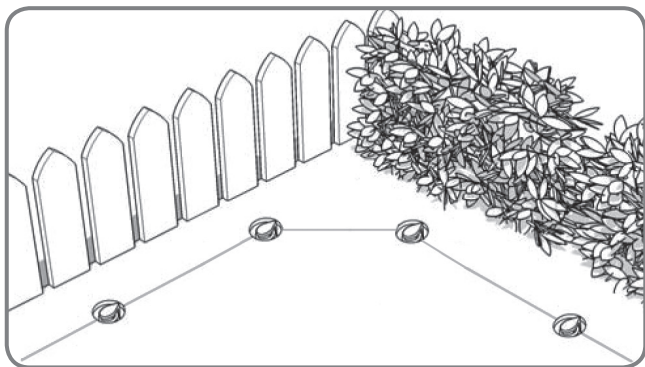
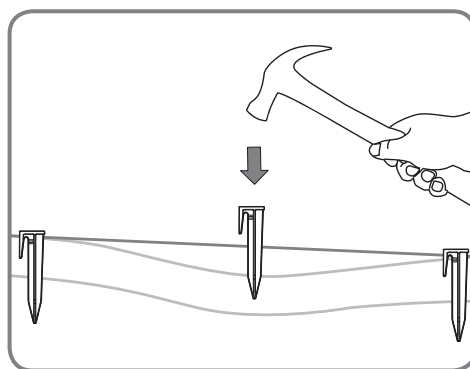
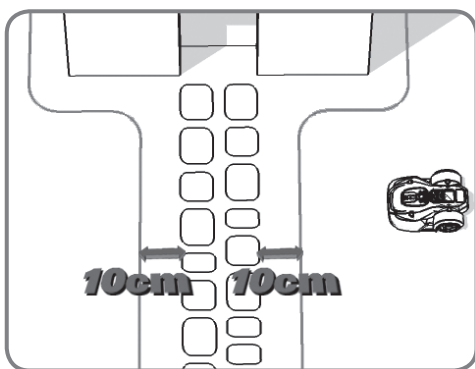
4

Setzen Sie beim Verlegen des Begrenzungskabels die Abstandlehre ein, damit stets 45cm* Platz zwischen Kabel und Grenze verbleiben. Bei Hindernissen auf Bodenhöhe, die problemlos vom Landroid®L überfahren werden können (z. B. Zufahrten oder Gehwege) ist lediglich 10cm* Abstand erforderlich.

Die Begrenzungsnägel sollten in einem Abstand von etwa 80 cm platziert werden.

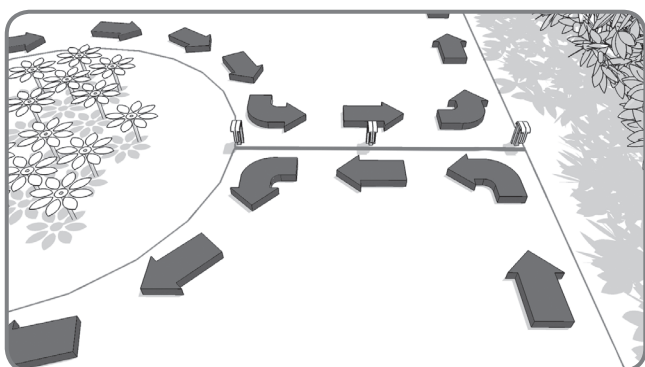
Schlagen Sie die Begrenzungsstifte mithilfe des Hammers fest in den Boden, vermeiden Sie dabei jedoch zu viel Druck auf den Draht. Halten Sie das Begrenzungskabel zwischen den Begrenzungsnägeln straff gespannt und gerade.

* Dies ist ein empfohlener Abstand, Sorgen Sie mit der mitgelieferten Abstandlehre für die richtigen Entfernungen.



5

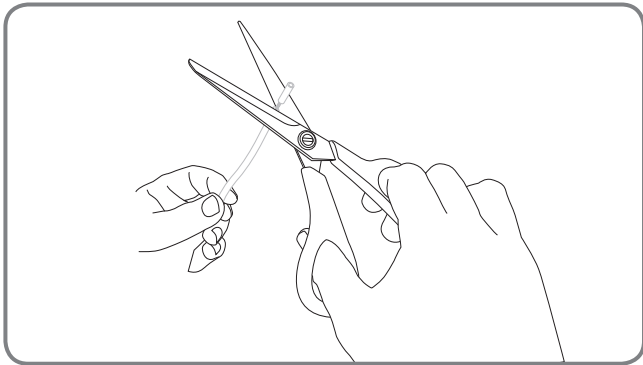
Stellen Sie sicher, dass das Begrenzungskabel in den Ecken keinen rechten Winkel aufweist.



6

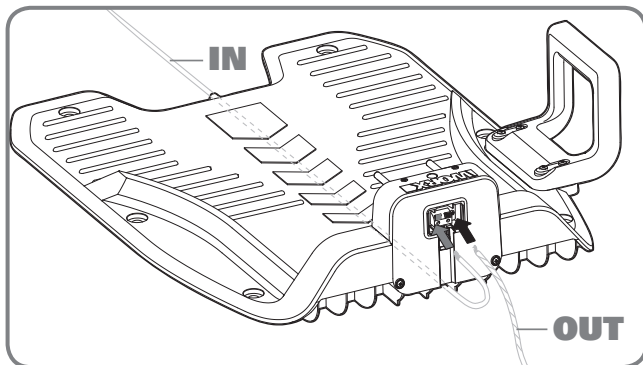
Wenn Sie mit dem Begrenzungsdraht eine Insel legen, folgen Sie dem in der Abbildung angezeigten Pfad. Der Draht sollte vom äußeren Rand aus so verlaufen, dass er die Konturen der jeweiligen Insel zeichnet und dann zum äußeren Rand zurückkehrt. Die Begrenzungsdrahte zwischen der Insel und dem Rand sollten nahe aneinander verlegt und mit demselben Nagel fixiert werden. Während des Betriebs kann dann der Landroid®L ungehindert über dieses Stück Draht fahren.

Begrenzungskabel an die Basis anschließen



1

Schneiden Sie die beiden Enden des Kabels so weit ab, dass Sie die Klemmen noch bequem erreichen.
Isolieren Sie die beiden Kabelenden ab.

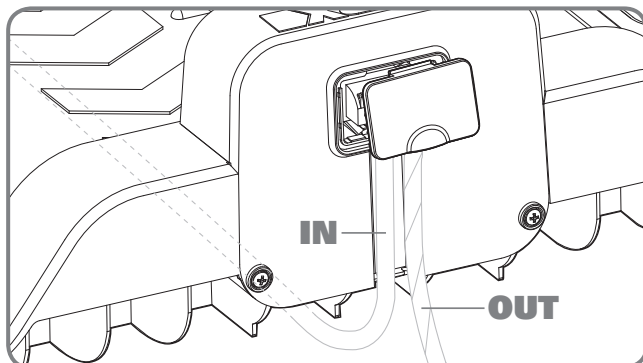
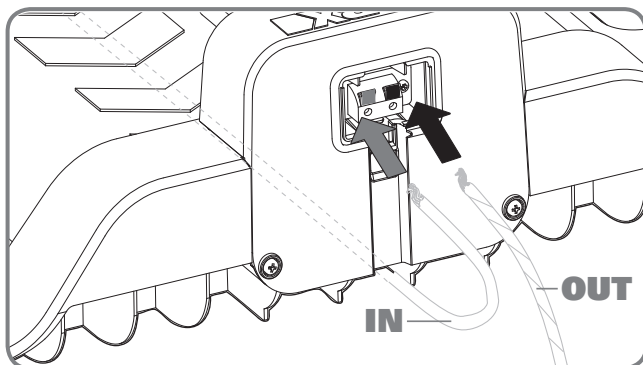


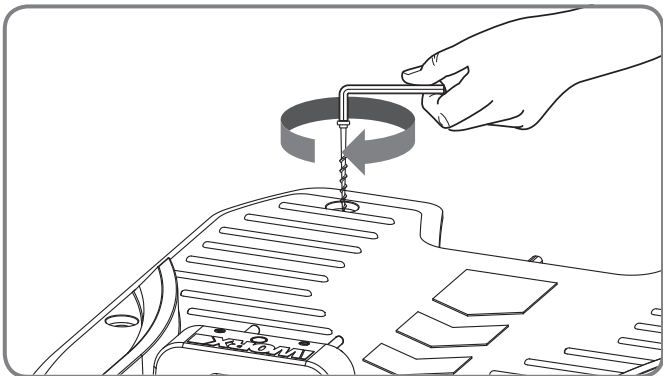
2

Die Kabelenden werden wie abgebildet als Eingangskabel (IN) und als Ausgangskabel (OUT) an die Ladebasis angeschlossen.
Verbinden Sie den IN-Draht mit der roten Klemme an der Ladestation und den OUT-Draht mit der schwarzen Klemme.
Schließen Sie anschließend die Abdeckung.

26

D

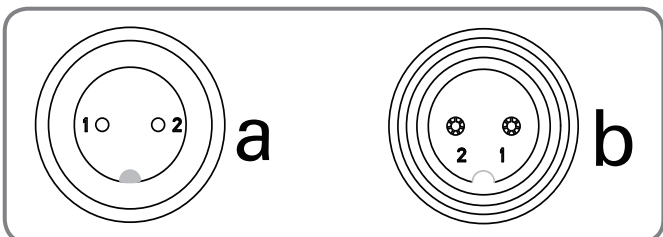




3

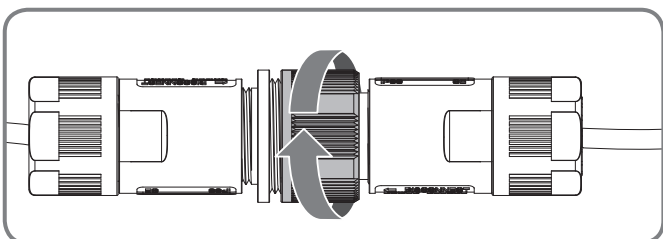
Sie können die Ladestation nun dauerhaft am Boden fixieren, indem Sie die mitgelieferten Basishalterungsstifte mit dem mitgelieferten Inbusschlüssel festdrehen.

HINWEIS: Stellen Sie sicher, dass der IN-Draht unterhalb der Mitte der Ladestation geradlinig verläuft.



4

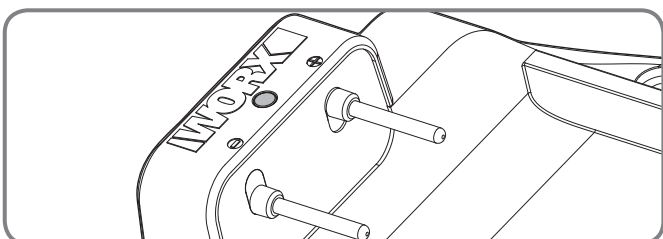
Schließen Sie das Netzteil über das Netzkabel an die Steckdose an; die LED an der Ladebasis leuchtet auf. Sollte die LED-Anzeige nicht aufleuchten, so schlagen Sie bitte in der Störungsbehebung nach. Achten Sie beim Anschluss des Netzteils darauf, dass die Nase am Netzteilstecker (a) in die Aussparung am Netzteilanschluss (b) greift.



Verschrauben oder lösen Sie ausschließlich den markierten Teil des Verbinders.

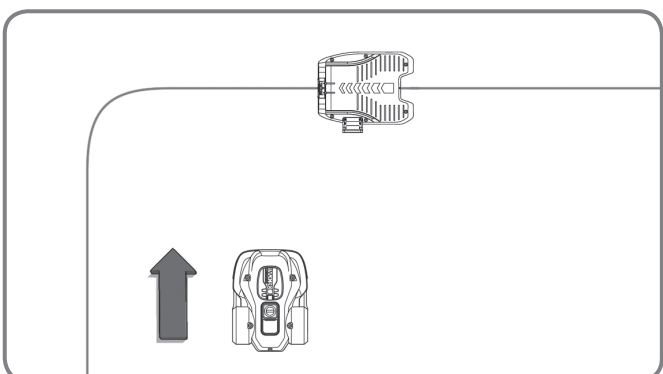
Wenn das grüne Licht nicht aufleuchtet, sind die Stromverbindungen zu überprüfen

Falls das Netzkabel durch den Arbeitsbereich verlaufen sollte, können Sie es bei Bedarf eingraben.



Einschalten und Installation ausprobieren

Jetzt wird es spannend – Sie können Ihren Landroid®L nun zum ersten Mal einschalten.




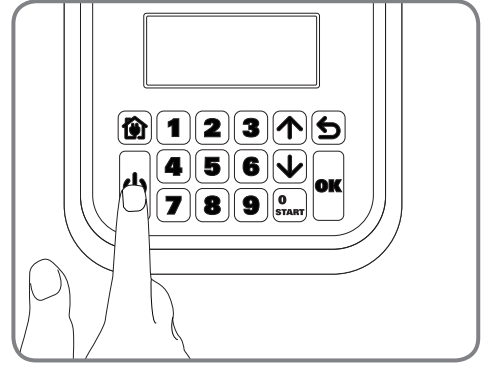
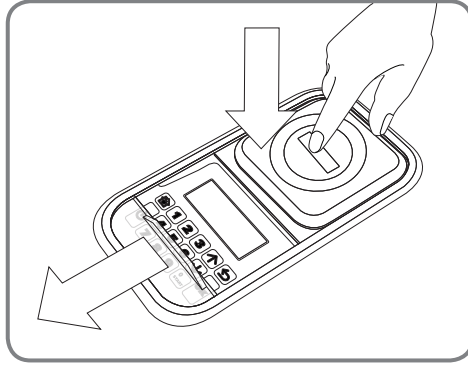
1


Setzen Sie Ihren Landroid®L in den Arbeitsbereich, ein paar Meter von der Rückseite der Ladebasis entfernt.

2

Öffnen Sie das Tastaturfenster mit einem Druck auf die große rote Taste am Landroid®L-Oberteil.

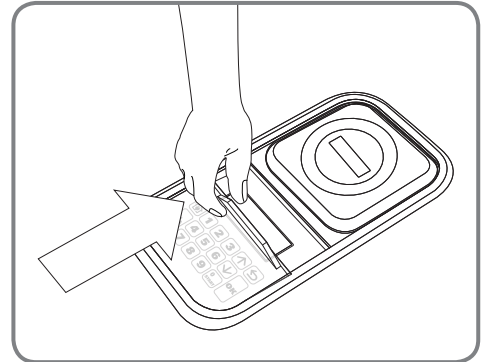
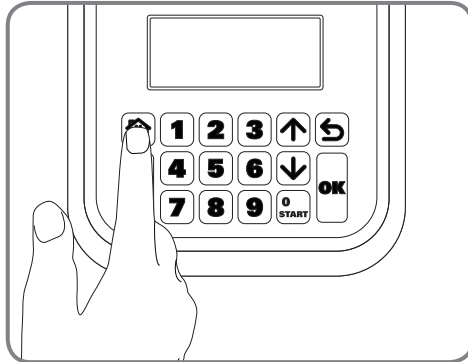
Halten Sie die Ein-/Austaste  gedrückt, bis sich der Landroid®L einschaltet, und geben Sie dann die Standard-PIN 0000 ein.



Drücken Sie die Taste  schließen Sie dann das Tastaturfenster:

Ihr Landroid®L sucht sich nun einen Weg zur Ladebasis.

Beobachten Sie, wie der Landroid®L zur Ladesation zurückkehrt, und ändern Sie die Position des Begrenzungsdrahts, falls erforderlich. Wenn der Landroid®L seinen Weg zur Ladesation zurückfindet, bedeutet das, dass Sie die Installation erfolgreich durchgeführt haben! Jetzt fängt der Landroid®L an, sich vollständig aufzuladen.



28

D

HINWEIS: Falls sich Ihr Landroid®L zu einem Zeitpunkt, zu dem er laut Programmierung eigentlich mähen sollte, in der Ladebasis aufhält, drücken Sie einfach die STOP und schließen das Tastaturfenster gleich wieder, um ihn zurück an die Arbeit zu schicken.




Warnung

- Falls sich Ihr Landroid®L außerhalb seines Arbeitsbereiches heruntreibt, bleibt er stehen und zeigt die Fehlermeldung „**Arbeitsbereich überschritten**“ an. Bringen Sie ihn einfach in seinen Arbeitsbereich zurück, wiederholen Sie dann Schritt 2.

- Sollte sich Ihr Landroid®L innerhalb seines Arbeitsbereichs befinden, aber das Display „**außerhalb des Mähbereichs**“ anzeigen und die LED-Anzeige aufleuchten, so bedeutet dies, dass Sie die Enden des Begrenzungsdrahts falsch abgeklemmt haben. Einfach wieder vertauschen.

- Ihr Landroid®L sollte stets eingeschaltet bleiben. Falls Sie ihn jemals abschalten müssen, achten Sie darauf, ihn vor dem Einschalten wieder in seinen Arbeitsbereich zu setzen.

- Falls Ihr Landroid®L seine Arbeit unerwartet einstellen sollte, drücken Sie die STOP, öffnen das Tastaturfenster, schalten ihn mit der Ein-/Austaste ein, beheben die Probleme, drücken die  -Taste und schließen das Tastaturfenster wieder.

HINWEIS: Weitere Hinweise finden Sie in der Programmierungs- und Problemlösungsanleitung.

Programmieren

Wenn Sie die Installation abgeschlossen haben, ist es an der Zeit, den Landroid®L zu programmieren und ihm zu sagen, wann er starten soll, indem Sie die unten angezeigte Tastatur benutzen. Bitte schlagen Sie im beigefügten Leitfaden zur Programmierung und Störungsbehebung nach.

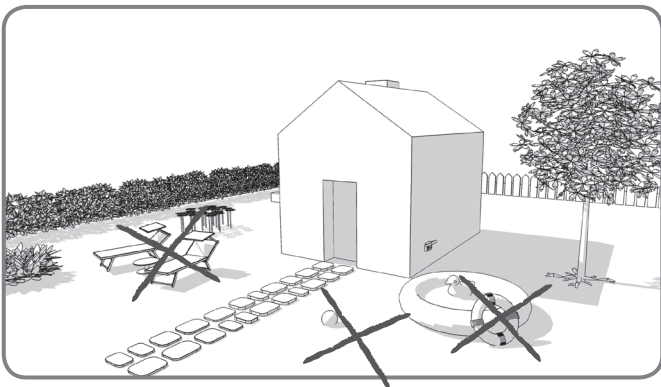


Kann es losgehen?

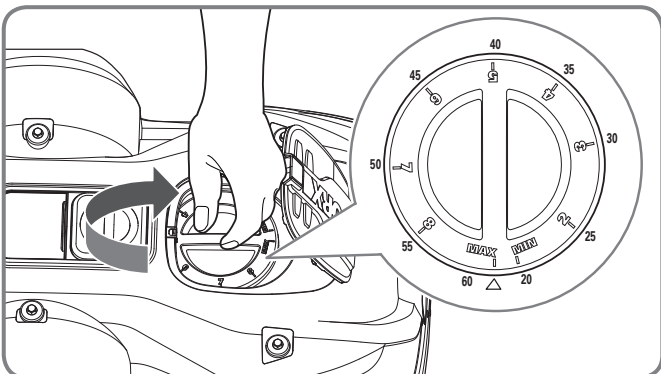
Der Landroid®L sorgt während der Saison für eine perfekte Höhe Ihres Rasens, ist allerdings nicht zum Roden eines Urwaldes vorgesehen.

Vor dem ersten Einsatz:

1. Mähen Sie Ihren Rasen noch einmal auf herkömmliche Weise.
2. Achten Sie darauf, dass sich keine Fremdkörper wie Spielzeuge oder Äste im Arbeitsbereich befinden.



3. Stellen Sie die Schnitthöhe beim ersten Mähen maximal ein, stellen Sie dann die bevorzugte Rasenhöhe ein.

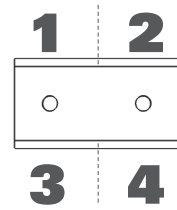


Im nächsten Frühjahr lassen Sie Ihren Landroid®L möglichst früh (nämlich dann, wenn das Gras noch kurz ist) mit dem Mähen beginnen; so können Sie sich den Vorschnitt sparen.

Immer schön scharf



Tragen Sie beim Einstellen der Messer grundsätzlich Schutzhandschuhe.



Jedes Messer Ihres Landroid®L ist mit vier Schneiden ausgestattet. Je nachdem, wie häufig der Landroid®L Ihren Rasen mäht, müssen die Messer früher oder später gedreht/umgedreht werden, damit eine neue Schneide ihre Arbeit aufnehmen kann. Falls Ihr Landroid®L den Rasen täglich mäht, sollten Sie die Messer monatlich drehen, damit die Leistung nicht nachlässt. Die einzelnen Messer halten bis zu vier Monate, wenn täglich gemäht wird. Wenn die Messer stumpf und verschlissen sind, sollten sie durch die Ersatzmesser ersetzt werden, die mit Ihrem Landroid®L geliefert wurden. Ersatzmesser erhalten Sie auch beim Worx-Händler in Ihrer Nähe.

Wartung

Ihr Landroid®L ist ein wahrer Naturbursche, der auch bei widrigen Wetterbedingungen gerne im Freien bleibt. Untersuchen Sie ihn lediglich hin und wieder auf Grasschnittablagerungen und entfernen Sie diese. So mäht der Landroid®L für Sie problemlos Jahr für Jahr, Saison für Saison. Waschen Sie die Maschinen nicht mit Hochdruckspritzpistolen, da dies dem Akku bzw. dem Gerät Schaden zufügen könnte.

Überwintern

Obwohl der Landroid®L ein zäher Bursche ist, sollten Sie ihm im Winter einen Platz im Schuppen oder in der Garage zugestehen. Laden Sie den Landroid®L -Akku vor dem Überwintern komplett auf, damit der Akku keinen Schaden nimmt. Anschließend können Sie die Ladebasis von der Stromversorgung trennen. Damit der Akku möglichst lange hält, laden Sie ihn in Winter hin und wieder nach. Eine volle Ladung alle drei Monate reicht aus. Zusätzlich kann es nicht schaden, die Ladebasis im Winter mit einer Nylonplane abzudecken.

30

D

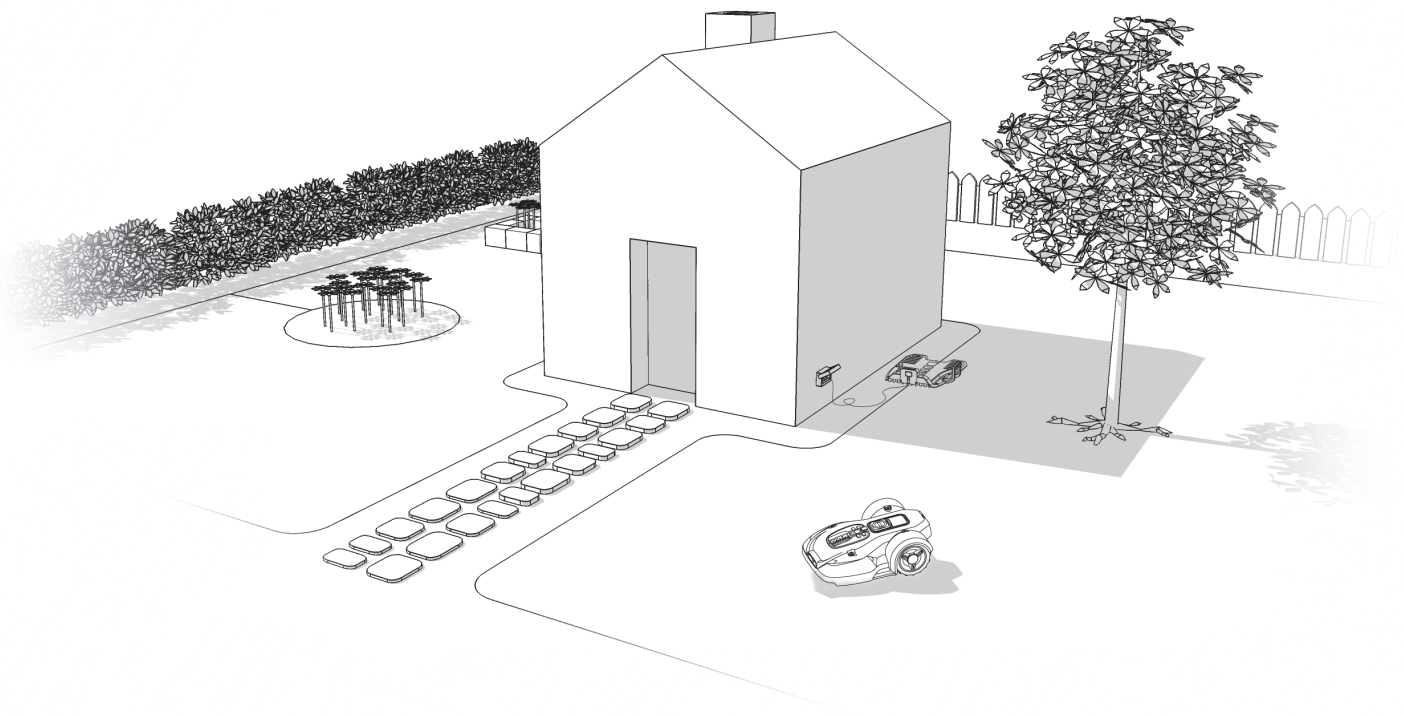
Sicherheit

Ihr Landroid®L ist keine Gefahr für Menschen oder Tiere. Zunächst gibt es einen großen Abstand zwischen den Außenkanten des Gerätes und den Messern. Zusätzlich stoppen die Neigungssensoren die Messer sofort, falls das Gerät vom Boden abgehoben wird.

Schutz vor Missbrauch

Ihr Landroid®L wird mit einem PIN-Code geschützt. Dieser PIN-Code verhindert den Einsatz durch Unbefugte. Sobald der Landroid®L aus seinem Arbeitsbereich entfernt wird, lässt er sich nicht mehr starten, wenn nicht der richtige PIN-Code eingegeben wird. Das bedeutet aber auch, dass auch Sie Ihren Landroid®L nicht mehr starten können, falls Sie den PIN-Code vergessen! Wir empfehlen dringend, den PIN-Code hier zu notieren, damit Sie bei Bedarf nachschlagen können. Noch besser: Registrieren Sie Ihren Landroid®L online unter www.worxlandroid.com, hinterlegen Sie Ihren PIN-Code dort. So können Sie Ihren PIN-Code jederzeit online abrufen.

PIN-Code hier notieren



Installation du Landroid®L

32

F

Le Landroid®L est facile à installer. L'ensemble de la procédure est très rapide, mais dépend de la taille de votre jardin. Comme tout le monde, vous n'aimez pas perdre votre précieux temps à tondre votre pelouse. Avec ce Landroid®L, vous venez de réaliser un très bon investissement puisque grâce à lui, vous n'aurez plus jamais besoin de la tondre!

La vidéo de démonstration d'installation est disponible sur notre site www.worxlandroid.com.

Le Landroid®L adore bouger

Il est conçu pour tondre fréquemment la pelouse de manière à la garder plus belle et plus saine que jamais auparavant. Selon la taille de votre pelouse, le Landroid®L peut être programmé de manière à travailler à n'importe quel moment et avec n'importe quelle fréquence, sans aucune limitation. Il est là pour travailler à votre place !

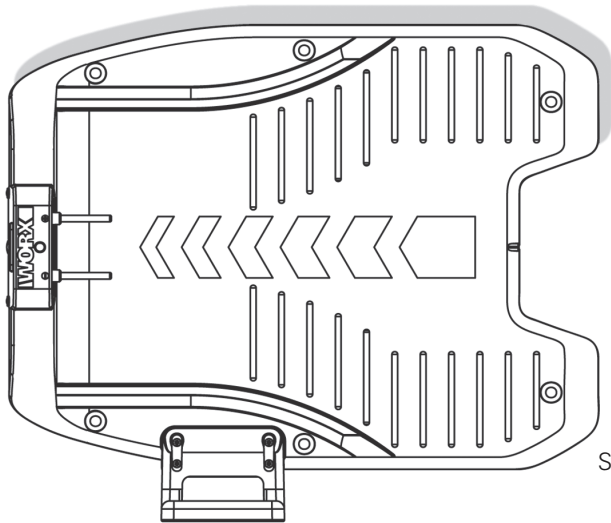
Coûts de fonctionnement

Votre facture d'électricité vous préoccupe? Un peu de mathématiques: Si vous faites fonctionner le Landroid®L pendant 3 heures par jour, 5 jours par semaine et 25 semaines par an, il vous coûtera approximativement... 8 € en électricité! Eh oui, seulement 8 € par an! Une fraction insignifiante de ce que vous coûterait votre tondeuse à essence bruyante et polluante sur la même période!

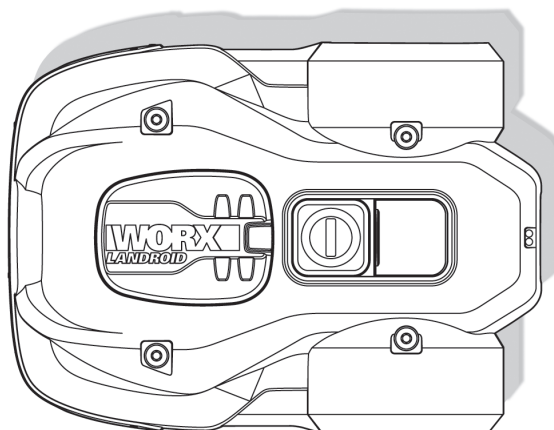
* Source: www.energy.eu

Préparation

Contenu



Socle de recharge



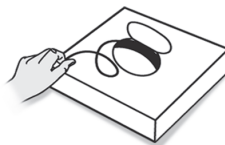
Landroid®L



Chevilles de rétention de la base



Lames de recharge



Bobine de fil de bord



Chevilles de bord



Câble d'alimentation avec transformateur AC/DC



Manuel de l'utilisateur



Guide d'installation

Jauge de distance du fil-barrière



Clé



Guide de programmation et de dépannage



Conditions de garantie

De votre garage



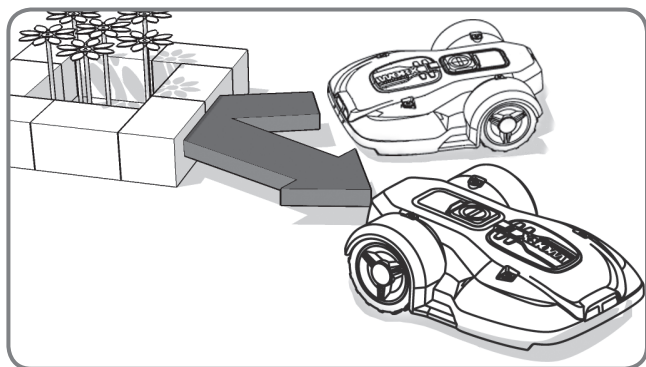
Ciseaux



Marteau

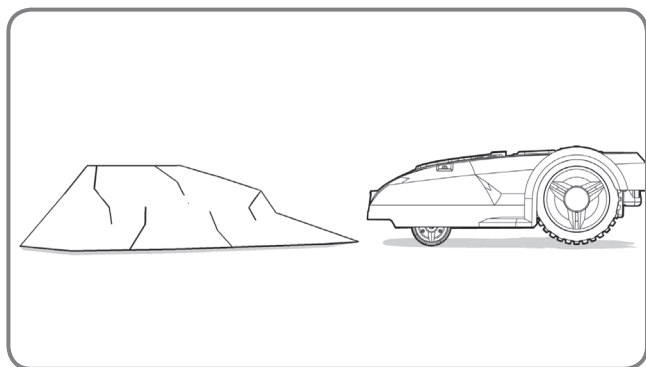
La nouvelle demeure du Landroid®L: votre jardin

Pour commencer, examinons en détail ce qui sera la nouvelle demeure de votre Landroid®L: votre jardin. Faisons le tri entre les endroits où il pourra aller et les endroits qu'il devra éviter.



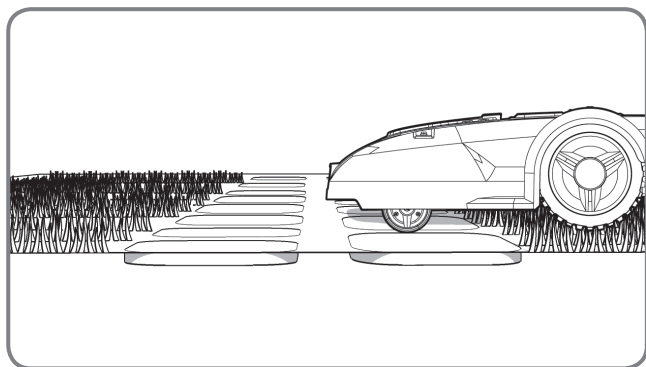
Obstacles sans danger

Lorsqu'il heurte un obstacle rigide et stable dont la hauteur est supérieure à 15 cm (ex: un mur ou une barrière), le Landroid®L s'arrête et s'en écarte.



Rochers

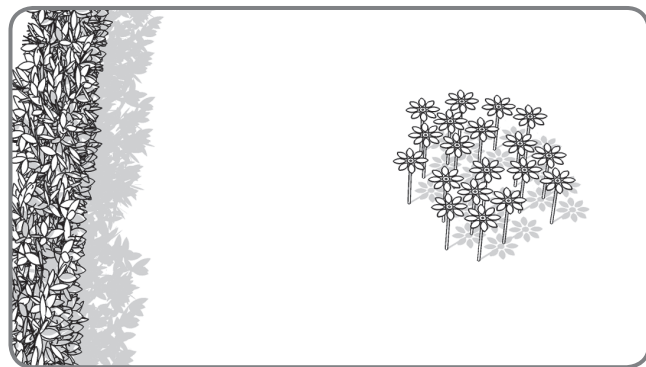
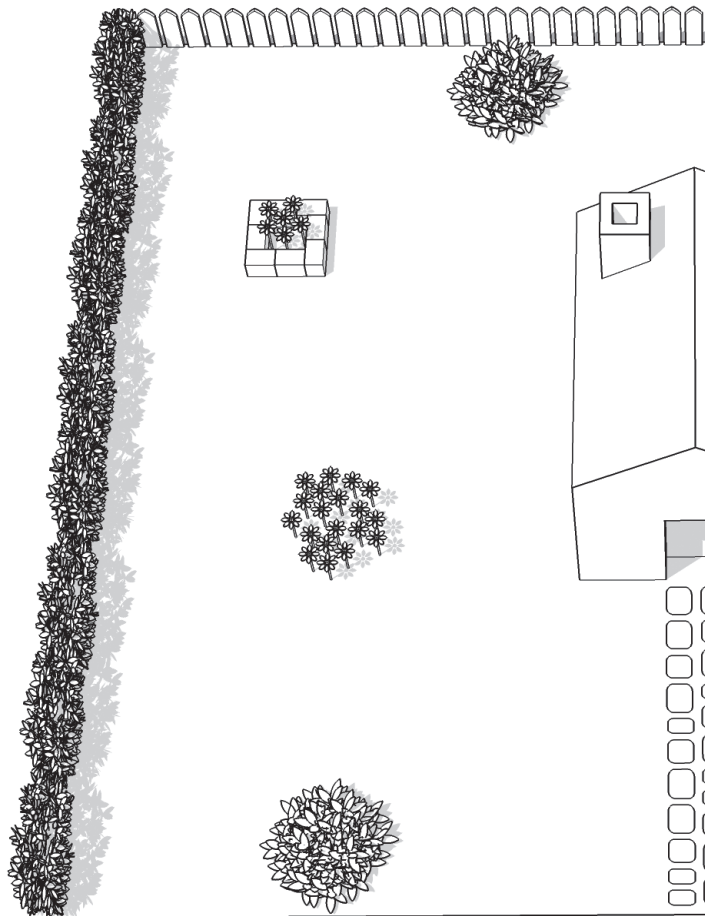
Les rochers suffisamment lourds pour ne pas être déplacés par le Landroid®L ne constituent pas des obstacles à risque. Cependant, si un rocher comporte un plan incliné sur lequel le Landroid®L risquerait de monter, enlevez-le ou excluez-le de la zone de travail.



Allées

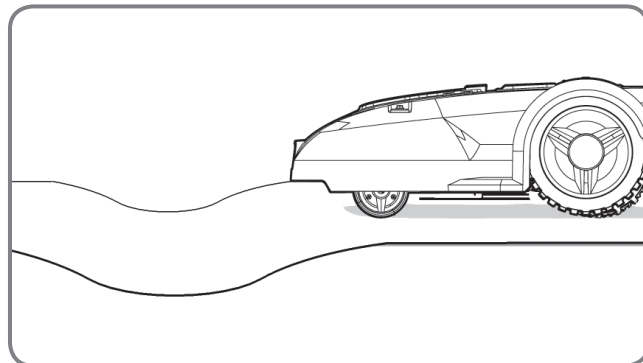
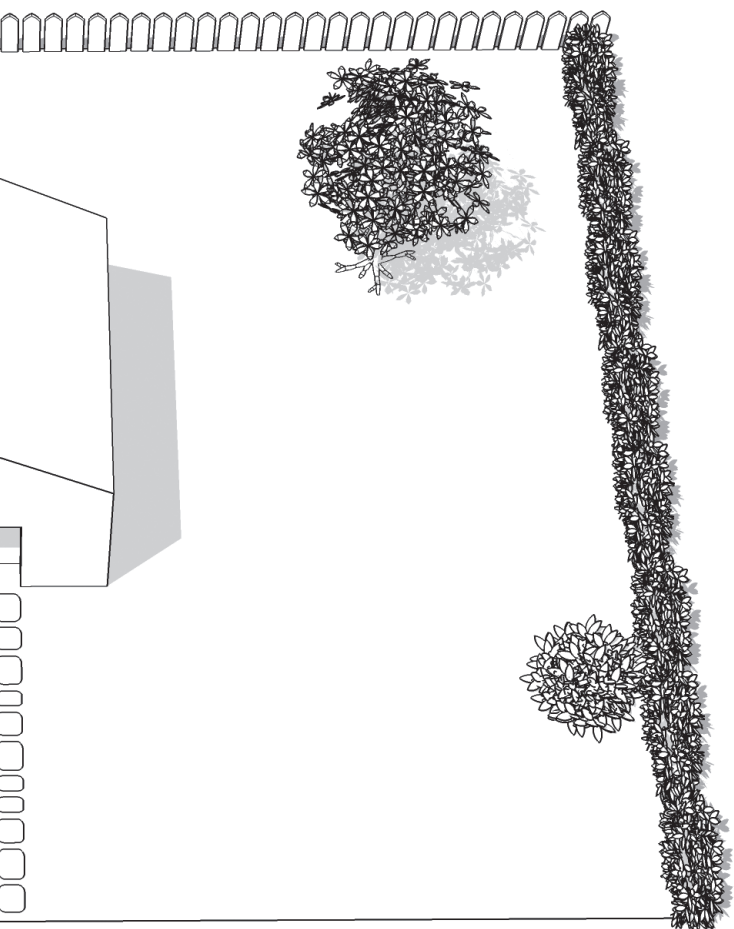
Si les allées sont au même niveau que le gazon et ne comportent aucune surface saillante, le Landroid®L peut passer dessus en toute sécurité. Si vous souhaitez que le Landroid®L évite une allée, un espace de 10cm* suffit entre l'allée et le fil-barrière. Si l'allée est recouverte de gravier, ne laissez pas le Landroid®L rouler dessus: pour mesurer une distance de 45 cm* entre le fil et le bord.

* Il est recommandé de respecter cette distance. Utilisez la jauge de distance fournie pour assurer une bonne installation.



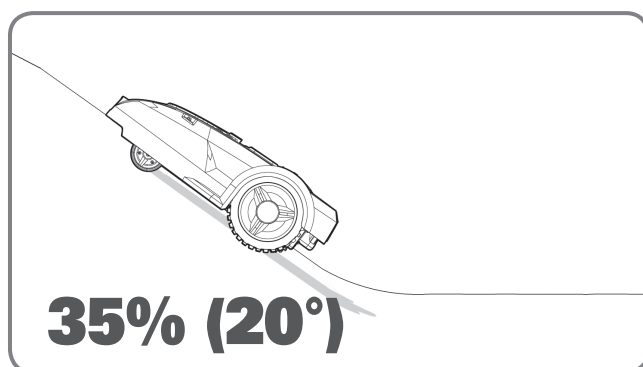
Parterres, bassins, étangs...

Il va de soi que vous ne voulez pas que le Landroid®L tonde vos fleurs, de même que vous ne souhaitez pas le voir tomber dans l'eau! Ces endroits sont donc à éviter.



Creux et bosses

Dans le cas de creux importants ou de bosses volumineuses, vérifiez s'il existe un risque que la lame touche le sol; si c'est le cas, réduisez l'inclinaison des pentes ou excluez cette surface de la zone de travail du Landroid®L.



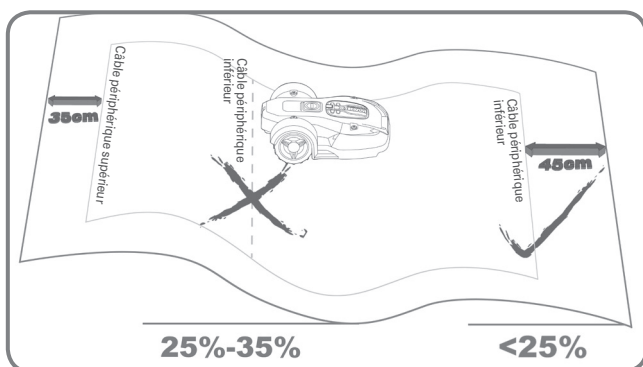
Pentes

Le Landroid®L est en mesure de monter des pentes de 20°; toute pente plus raide doit donc être évitée.



Arbres

Si des racines dépassent du sol, il est cependant préférable que le Landroid®L évite cette zone car il risquerait d'abîmer les racines.



Pose du câble périphérique sur les pentes

Le câble périphérique supérieur NE DOIT PAS être placé sur des pentes plus raides que 35%(20°). Le câble périphérique supérieur doit être placé à une distance d'au moins 35cm des obstacles. Le câble périphérique inférieur NE DOIT PAS être placé sur des pentes plus raides que 25%(15°). Le câble périphérique inférieur doit être placé à une distance d'au moins 45cm des obstacles lorsqu'il est positionné sur une pente à 25%.

Marquage du territoire du Landroid®L dans le jardin

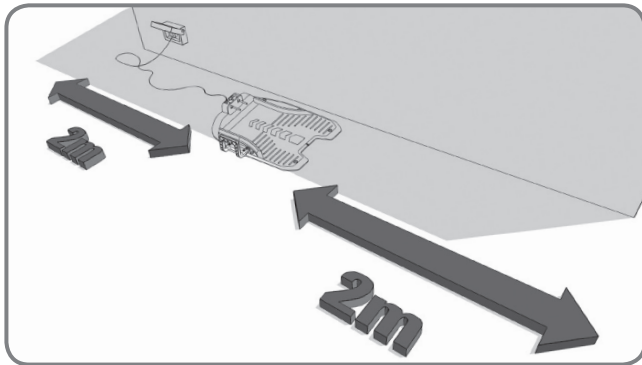
Votre Landroid®L a besoin de savoir où il est censé tondre. Il est donc indispensable de délimiter sa zone de travail grâce au fil fourni, qui constituera une sorte de barrière invisible. Ce fil permettra également de guider le Landroid®L vers son socle de recharge.

Si votre voisin utilise également un Landroid®L, vous devez garder un espace d'au moins 2 mètres entre votre fil périphérique et celui de vos voisins.

Veillez garder à l'esprit que votre Landroid®L ne sera pas en mesure de recevoir un signal provenant du fil périphérique au-delà d'une distance de 25 m.

Pour commencer, choisissez un emplacement idéal pour le socle de recharge, en prenant en compte la distance qui le sépare de la prise de courant la plus proche. Le câble du socle de recharge fait 15m de long.

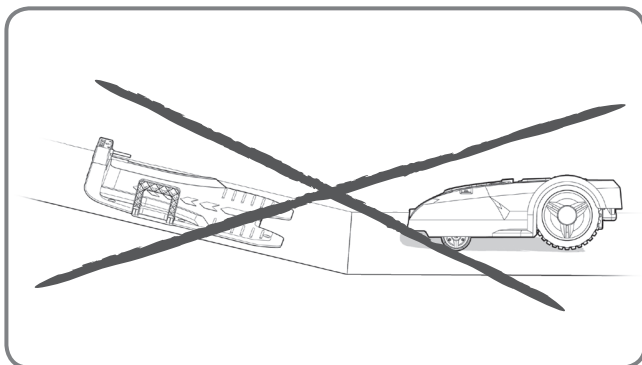
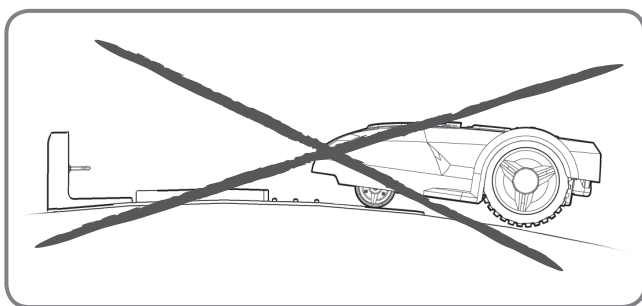
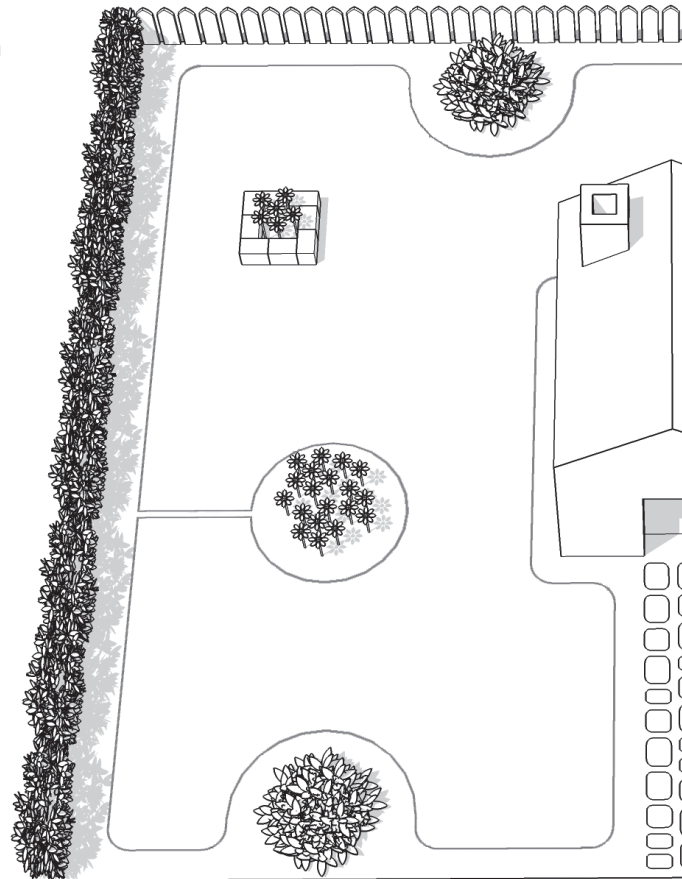
REMARQUE: Le transformateur et la prise électrique ne doivent en aucun cas être exposés à l'humidité.



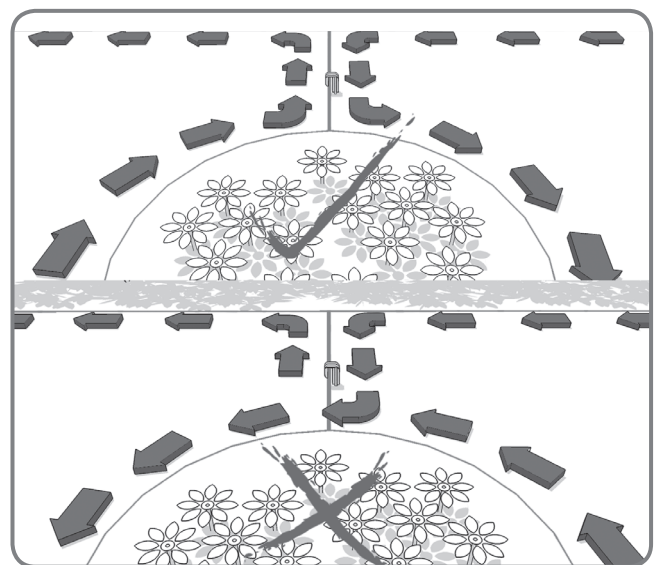
36

F

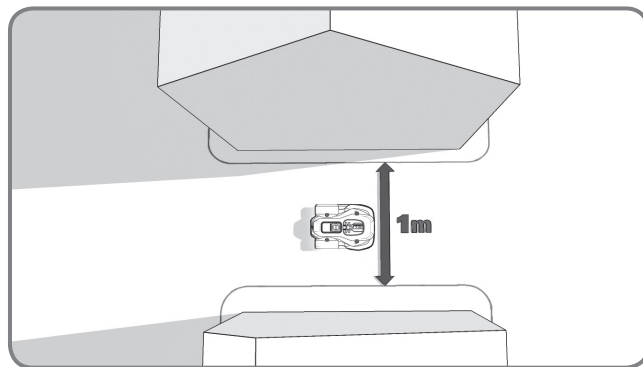
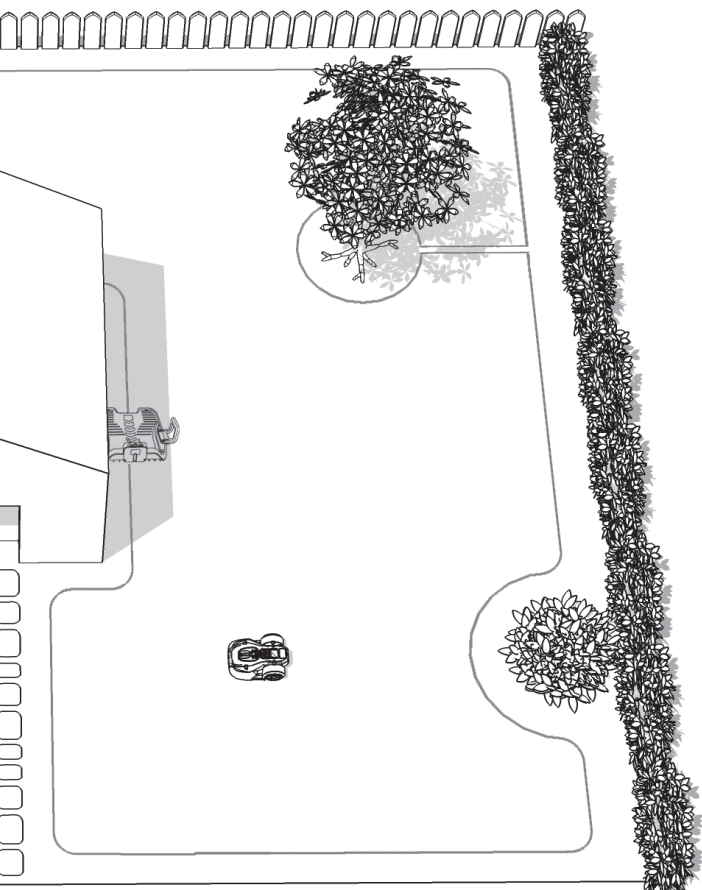
Le socle de recharge doit être placée le long d'une ligne droite, à au moins 2 mètres de chaque extrémité. Mettez-le à l'ombre si possible: les batteries se rechargent mieux dans un endroit frais.



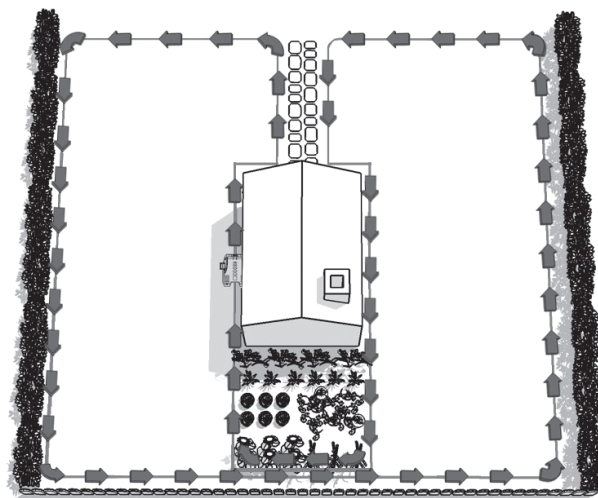
La surface sur laquelle il est posé doit être plane et libre de tout obstacle.



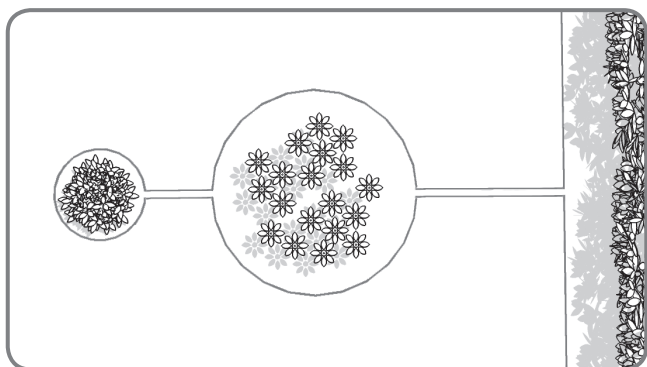
Un îlot est un espace situé au milieu du gazon dans lequel vous ne voulez pas que le Landroid®L pénètre. Le fil-barrière doit partir à angle droit du bord de la pelouse en direction de l'îlot, faire le tour de celui-ci puis repartir en ligne droite vers le bord, comme indiqué par les flèches sur l'illustration.



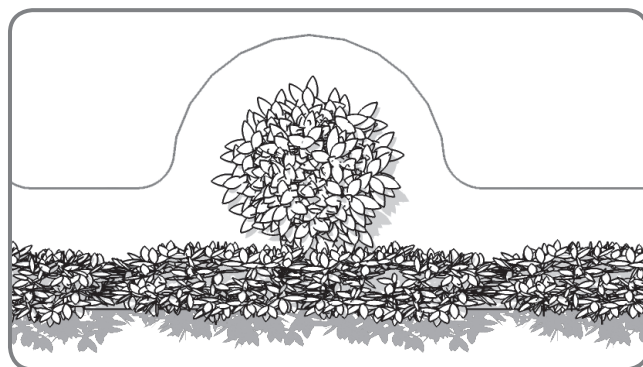
Si la pelouse est divisée en deux parties ou plus, séparées entre elles par un couloir, celui-ci doit faire au moins 1 mètres de large.



Si le couloir entre les deux parties n'est pas assez large, vous devrez ramasser le Landroid®L et le porter vers l'autre partie du gazon, et une fois cette autre partie entièrement tondue, vous devrez rapporter vous-même le Landroid®L sur le socle si la batterie est épuisée.



Dans le cas de deux îlots situés trop près l'un de l'autre, il est préférable de poser le fil de la manière indiquée ci-dessus. Le Landroid®L pourra ainsi passer par-dessus le fil situé entre les îlots d'une part, et entre les îlots et le bord du gazon d'autre part.

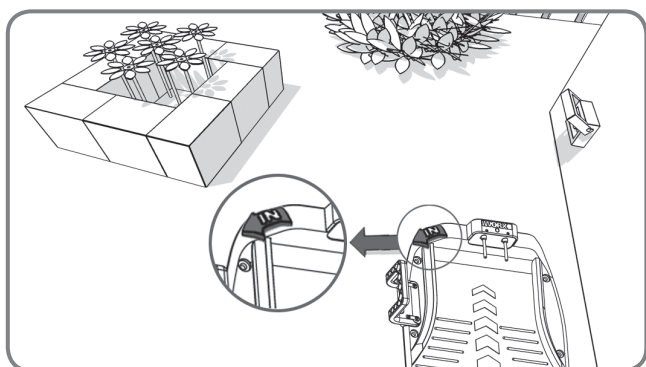


Une zone interdite située à proximité du bord de la pelouse est à considérer comme faisant partie du bord (voir illustration ci-dessus).

Instalación

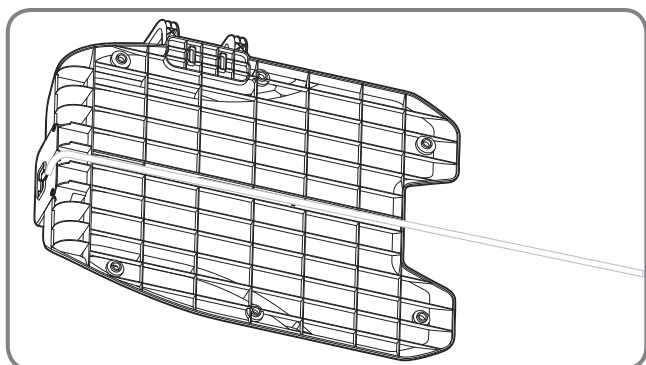
Pose du fil-barrière

Avant de poser le fil, il est recommandé de tondre la pelouse au préalable, avec une tondeuse conventionnelle ou un coupe-gazon. Ainsi, le fil sera situé le plus près du sol possible et le Landroid®L ne risquera pas de le trancher accidentellement. Le fil-barrière est électrifié avec une tension très basse et est donc totalement inoffensif pour les personnes et les animaux domestiques.



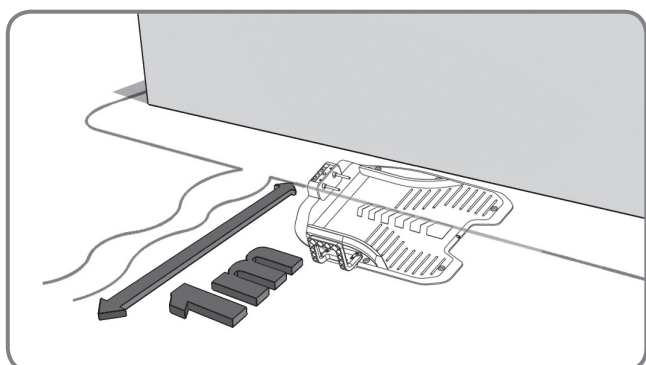
1

Placez le socle de recharge sur son emplacement désigné, sans le fixer définitivement. La flèche "IN" doit être orientée vers l'intérieur de la pelouse.



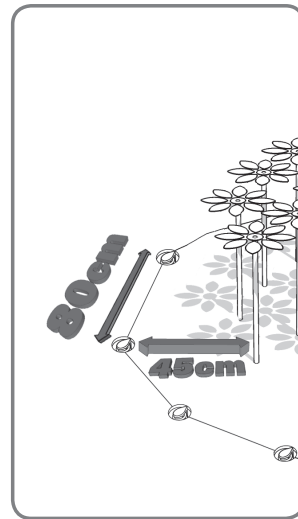
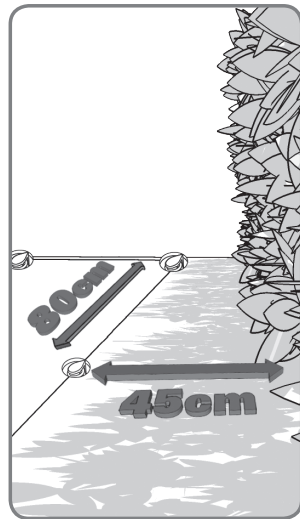
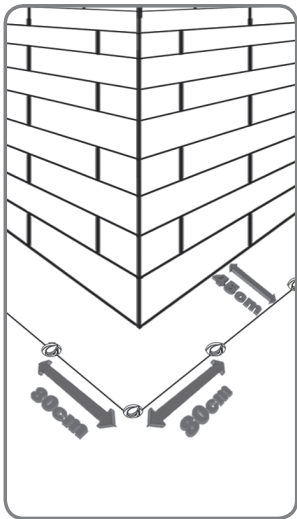
2

Faites passer le câble périphérique à travers le tunnel sous la base de charge.



3

En laissant environ 1 mètre de longueur de fil supplémentaire, commencez à partir de l'arrière de votre base de charge et attachez le fil le long de la frontière. Quand vous avez fini de placer le câble le long de la frontière, revenez vers la base de charge, laissez un autre mètre de câble supplémentaire, puis coupez-le.



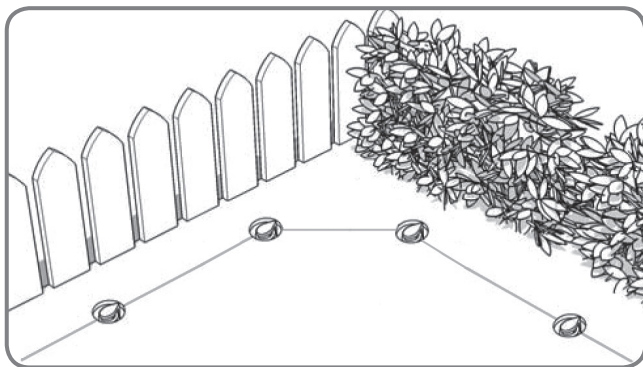
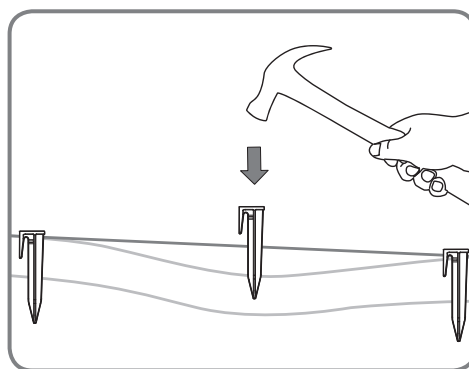
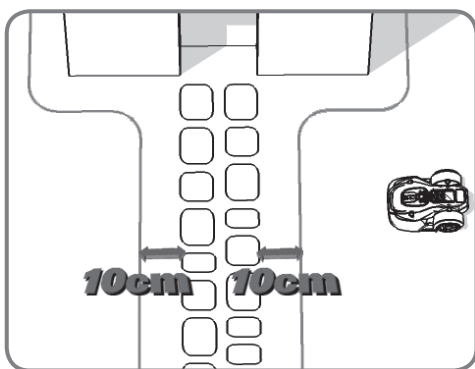
4

Lors de la pose du fil-barrière, laissez un espace de 45cm* entre le fil et le bord (utilisez la jauge de distance). Dans le cas d'obstacles situés au niveau du sol et ne représentant pas de danger pour le Landroid®L (ex: un trottoir ou une allée), un espace de 10cm* suffit.

Les piquets doivent être espacés d'au moins 80cm.

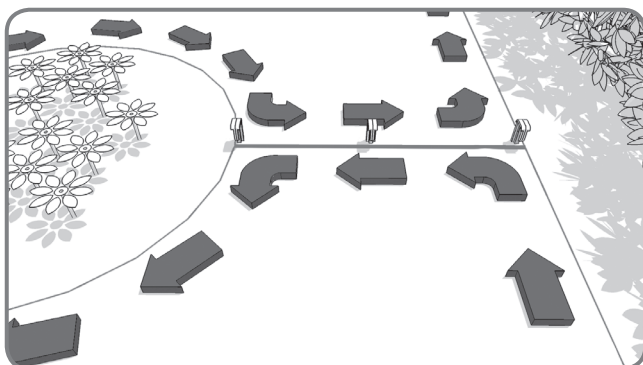
Enfoncez fermement les tiges dans le sol avec l'aide du marteau, en évitant toutefois de mettre trop de pression sur le câble. Le fil doit être bien tendu entre chaque piquet: il ne doit pas y avoir de mou.

* C'est la distance recommandée. Utilisez la jauge de distance fournie pour assurer une bonne installation.



5

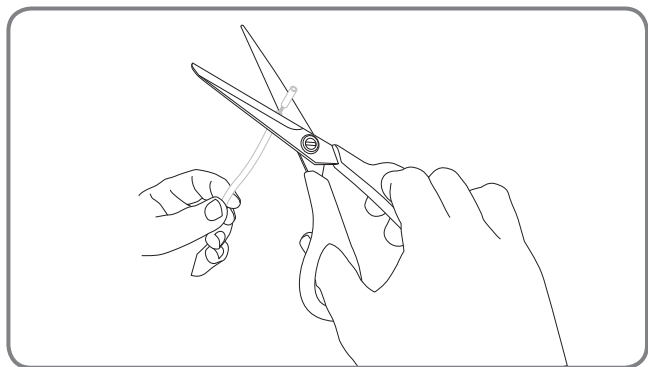
Assurez-vous que le fil du bord est parfaitement droit dans chaque coin.



6

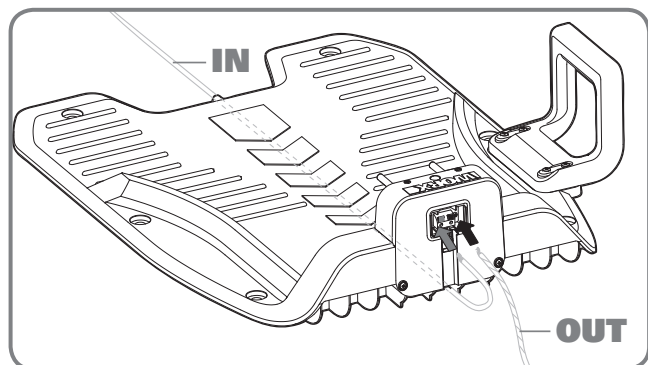
Pour poser le fil autour d'un îlot, procédez de la manière suivante: Le fil-barrière doit partir à angle droit du bord de la pelouse en direction de l'îlot, faire le tour de celui-ci puis repartir en ligne droite vers le bord. Les deux portions de fil entre l'îlot et le bord doivent être très proches l'une de l'autre et être fixées sous le même piquet. Au cours du travail, le Landroid®L pourra ainsi passer librement par-dessus cette partie du fil.

Connexion du fil au socle de recharge



1

Coupez les bouts du fil à une longueur permettant d'atteindre facilement les bornes.

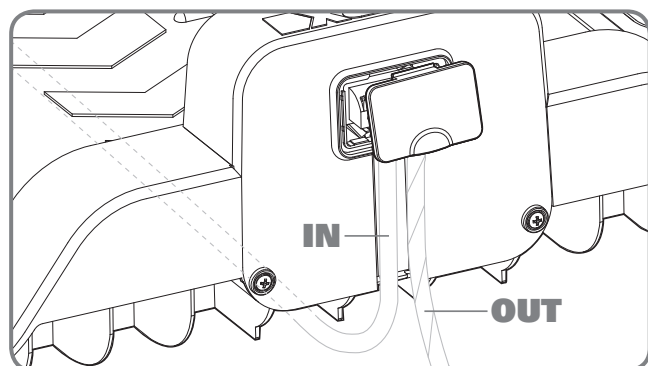
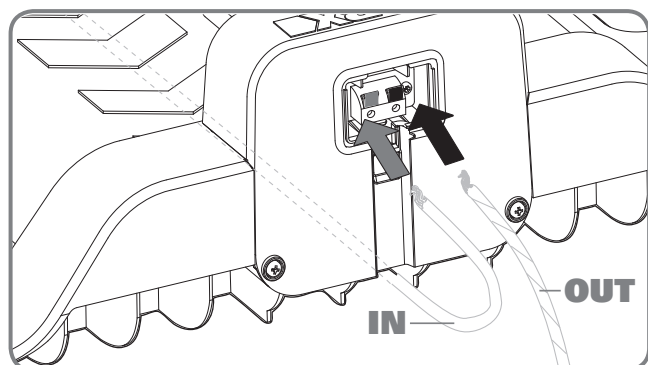


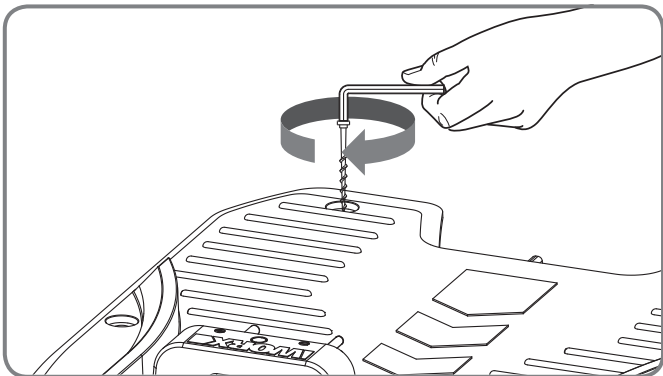
2

L'un des bouts du fil sera relié à la borne IN du socle de recharge, tandis que l'autre sera relié à la borne OUT (voir schéma). Connectez le câble d'ENTRÉE à la pince rouge de la base de chargement et le câble de SORTIE à la pince noire. Puis, refermez le couvercle.

40

F

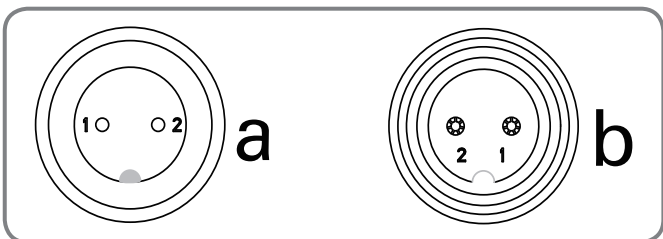




3

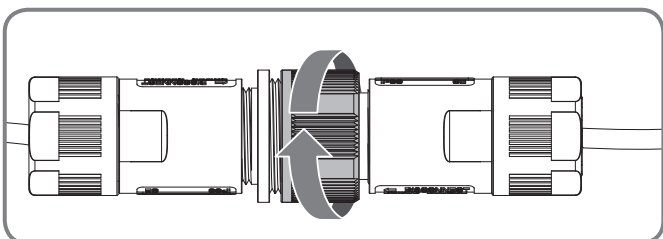
Vous pouvez maintenant fixer définitivement la base de chargement sur le sol en resserrant les tiges de maintien de la base fournies avec la clé hexagonale incluse.

REMARQUE: Faites attention à bien faire passer le fil IN sous le milieu du socle.



4

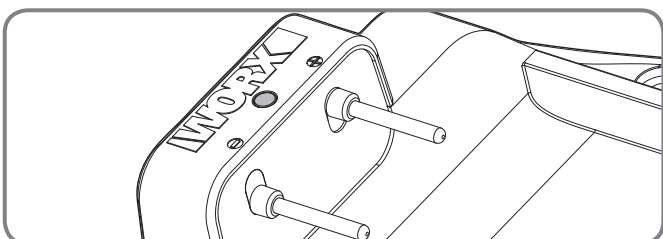
Reliez le câble d'alimentation au transformateur, puis branchez-le sur une prise de courant AC; la LED du socle de recharge s'allume. Si la LED est éteinte, référez-vous au guide de dépannage. Lors de la connexion, alignez l'encoche du connecteur du câble (a) avec la rainure située sur le connecteur du transformateur (b).



Seule la partie surlignée du connecteur doit être vissée ou dévissée.

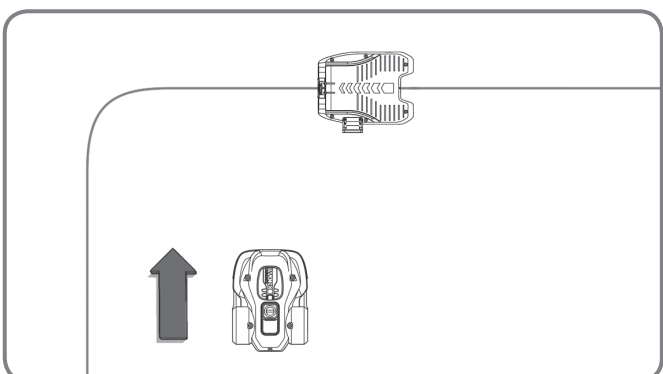
Si le voyant vert ne s'allume pas, vérifiez les connexions électriques.

Si le câble d'alimentation passe par la zone de travail, vous pouvez éventuellement l'enterrer si nécessaire.



Mise en marche et test d'installation


Le moment fatidique est arrivé: vous allez mettre en marche votre Landroid®L pour la première fois!

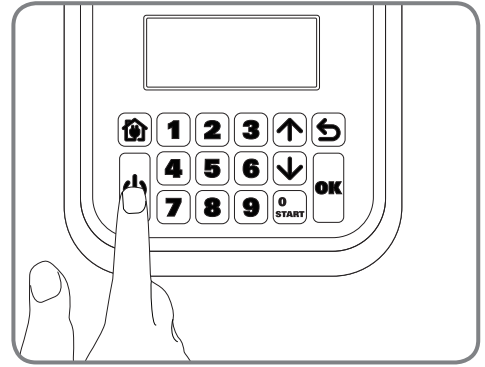
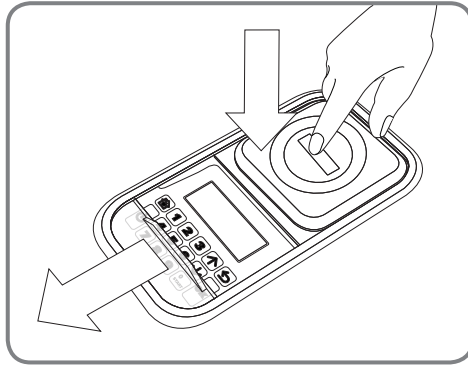



1

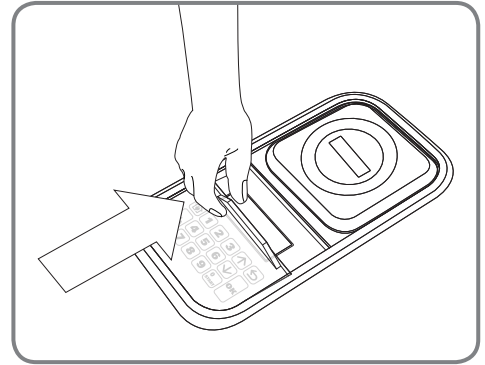
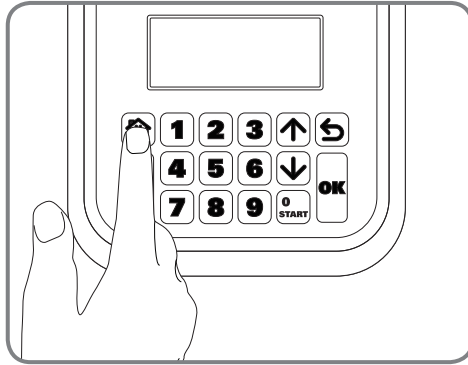
Placez le Landroid®L à l'intérieur de la zone de travail, quelques mètres derrière le socle de recharge.

2

Ouvrez le couvercle du clavier en appuyant sur le gros bouton rouge situé sur le Landroid®L. Maintenez enfoncé le bouton marche/arrêt  jusqu'à ce que le Landroid®L s'allume, puis introduire le code PIN par défaut 0000.



Appuyez sur la touche  et fermez le couvercle du clavier: votre Landroid®L doit maintenant se diriger automatiquement vers le socle de recharge. Regardez le trajet emprunté par le Landroid®L pour revenir sur le socle et modifiez le tracé du fil-barrière si nécessaire. Si le Landroid®L réussit à revenir sur le socle, cela veut dire que l'installation est achevée avec succès! Maintenant, le Landroid®L restera sur le socle jusqu'à ce que la batterie soit entièrement rechargée.



42

F

REMARQUE: Si le Landroid®L se trouve sur le socle de recharge à une heure à laquelle vous l'avez programmé pour qu'il travaille, il vous suffit d'appuyer sur la touche Arrêt et de refermer le couvercle du clavier pour qu'il retourne au travail.




Avertissement

- Si le Landroid®L se trouve à l'extérieur de son périmètre, il reste immobile et l'écran indique le message d'erreur **"hors de la zone de coupe"**. Remettez-le dans son périmètre et répétez l'étape 2.

- Si l'écran indique **"hors de la zone de coupe"** alors que le Landroid®L est dans son périmètre et que la LED est allumée, cela signifie que vous avez inversé les branchements des bouts du fil-barrière. Rebranchez-les dans le bon sens.

- Le Landroid®L doit rester allumé en permanence. Si vous devez l'éteindre, n'oubliez pas de le remettre dans son périmètre avant de le rallumer.

- Si votre Landroid®L arrête de fonctionner normalement, appuyez simplement sur le bouton Arrêt, ouvrez la fenêtre du clavier, appuyez sur la touche MARCHE/ARRÊT pour mettre en MARCHE, rectifiez les problèmes, appuyez sur la touche  fermez la fenêtre du clavier.

REMARQUE: Pour plus d'informations, veuillez vous référer au Guide de programmation et de dépannage.

Programmation

Une fois l'installation terminée, vous devez programmer les heures de travail de votre Landroid®L à l'aide du clavier affiché ci-dessous. Référez-vous au Guide de programmation et de dépannage inclus.

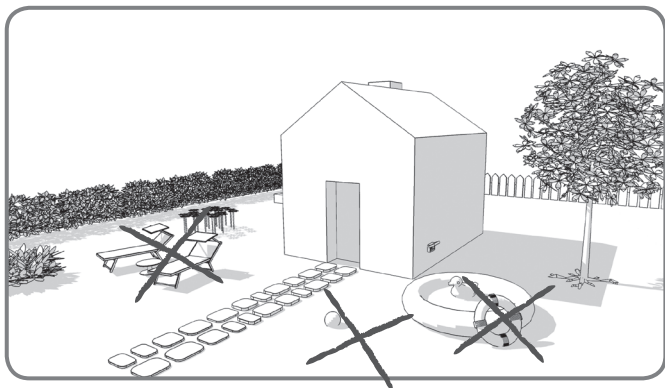


Prêt?

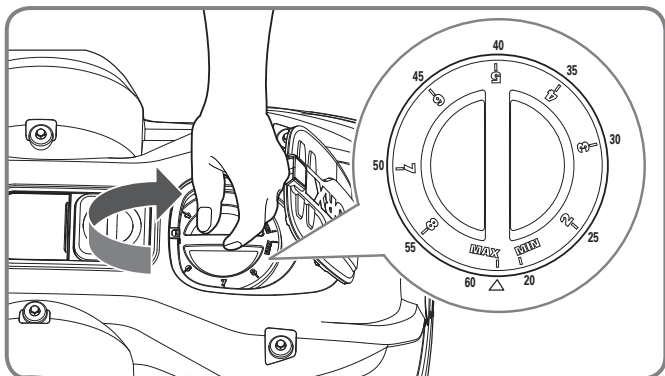
Le Landroid®L est conçu pour maintenir votre gazon à une hauteur parfaite pendant toute la saison; il ne peut pas servir pour débroussailler une jungle!

Avant de commencer à utiliser l'appareil,

1. Vous devez tondre votre pelouse à la hauteur souhaitée.
2. Vous devez vous assurer que la zone de travail ne comporte aucun objet étranger (ex: jouets, branches etc.).



3. Tondez une première fois avec le réglage de hauteur maximal, puis une deuxième fois à la hauteur souhaitée.



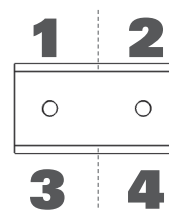
Au printemps suivant, commencez à utiliser le Landroid®L le plus tôt possible, lorsque l'herbe est encore courte; ainsi, vous n'aurez pas besoin de tondre la pelouse au préalable.

Affûtage



Portez toujours des gants de protection lorsque vous ajustez les lames.

Chaque lame de votre Landroid®L a 4 bords coupants. Selon la fréquence que le Landroid®L tond votre pelouse, les lames devront être tournées/retournées périodiquement pour utiliser un nouveau bord coupant. Si votre Landroid®L est programmé pour tondre la pelouse tous les jours, alors les lames devront être tournées tous les mois pour des meilleurs résultats. Chaque lame va durer jusqu'à 4 mois quand il est programmé pour tondre la pelouse tous les jours. Lorsque les lames sont usées et ne coupent plus bien, elles doivent être remplacées par les lames de rechange fourni avec votre Landroid®L. Des lames de rechange sont également disponibles chez votre détaillant WORX le plus proche.



Entretien

Votre Landroid®L est conçu pour rester dehors quelles que soient les conditions météorologiques. Tout ce que vous avez à faire est de vérifier régulièrement l'intérieur et d'enlever les dépôts de coupures d'herbe, et votre Landroid®L vous fournira un travail irréprochable, saison après saison, année après année! Ne lavez pas la machine avec un pistolet à jet haute pression. Cela pourrait endommager la batterie ou la machine.

Repos hivernal

Bien que le Landroid®L soit un appareil très solide, nous vous recommandons néanmoins de le ranger dans une remise ou dans un garage pendant l'hiver. Avant de le ranger, laissez la batterie se recharger entièrement; cela lui évitera de s'abîmer. Puis débranchez le socle de recharge. Le fait de recharger régulièrement la batterie au cours de l'hiver est une bonne chose car cela permet de prolonger sa durée de vie. Il est raisonnable de la recharger entièrement une fois tous les 3 mois. D'autre part, nous vous conseillons également de recouvrir le socle avec une bâche en nylon pendant l'hiver.

44

F

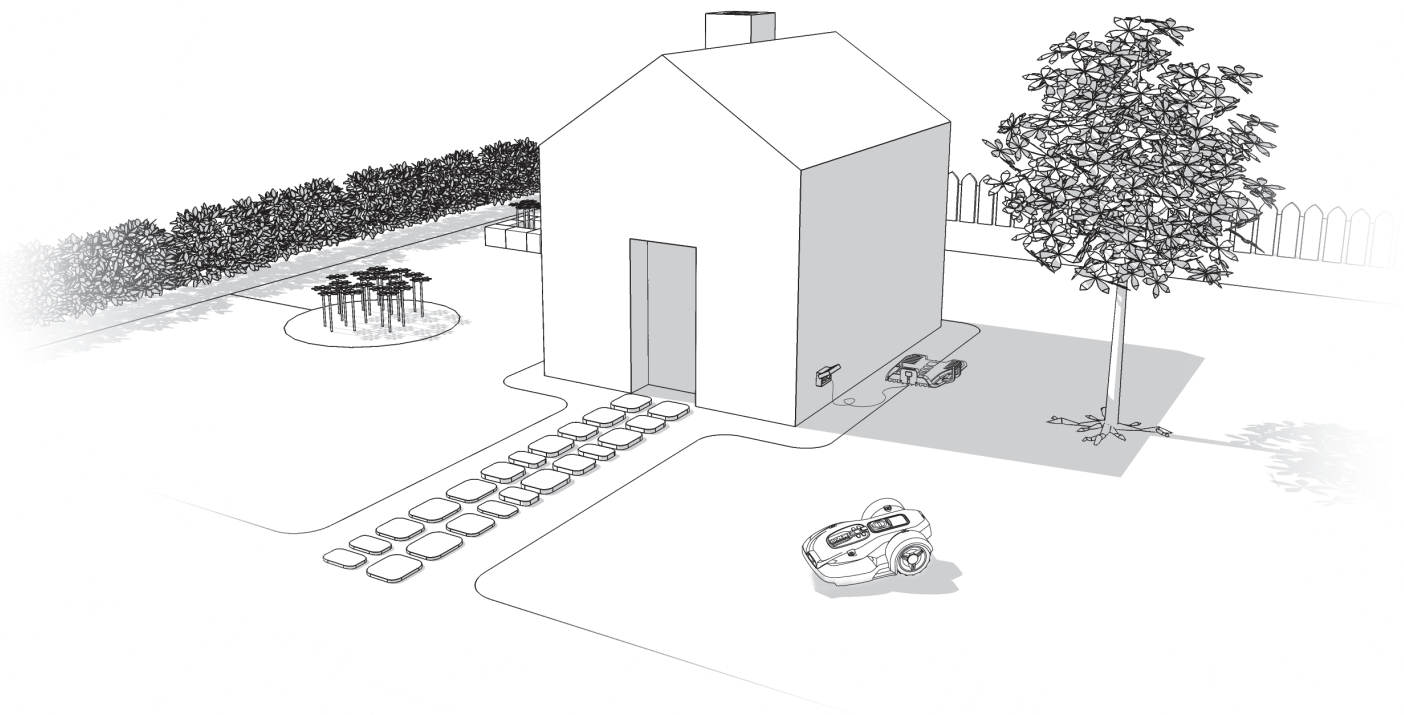
Sécurité

Le Landroid®L ne représente aucun danger pour les animaux et les personnes. D'une part, il existe un espace très large entre les lames et le bord extérieur de la machine. D'autre part, les capteurs d'inclinaison arrêtent automatiquement les lames lorsque l'appareil est soulevé.

Protection

Votre Landroid®L est protégé par un code PIN. Ce code permet d'en interdire l'utilisation aux personnes non autorisées. Une fois le Landroid®L sorti de son périmètre, il est impossible de le redémarrer sans connaître le code PIN. Mais cela signifie également que vous ne pourrez pas le redémarrer non plus si vous oubliez votre code PIN! C'est pourquoi nous vous recommandons fortement de noter votre code PIN sur cette page afin de pouvoir vous y référer en cas d'oubli. Ou mieux encore, inscrivez votre Landroid®L sur le site Internet www.worxlandroid.com et enregistrez votre code PIN. Vous pourrez ainsi y accéder à tout moment.

Écrivez votre code PIN ici



Come installare Landroid®L

46

L'installazione di Landroid®L è facile. In base alle dimensioni del giardino, l'intera procedura impiega un periodo breve di tempo. Se sei come noi, non ami sprecare prezioso tempo libero per falciare il prato. Landroid®L si dimostrerà un ottimo investimento perché non dovrai mai più falciare il prato.

Puoi guardare il video dimostrativo dell'installazione su: www.worxlandroid.com.

Landroid®L ama falciare il prato

Diversamente da te, Landroid®L non è mai stanco. È progettato per falciare spesso, mantenendo il prato più vigoroso e bello che mai. In base alle dimensioni del prato, Landroid®L può essere programmato per funzionare in qualsiasi orario e con qualsiasi frequenza, senza limitazioni. Fa il lavoro al posto tuo.

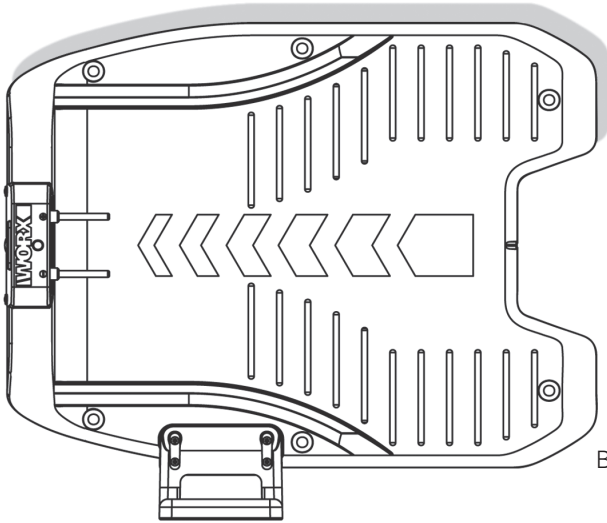
Costi operativi

Vi preoccupa il consumo elettrico? Facciamo un paio di conti: se fate lavorare Landroid®L 3 ore al giorno per 5 giorni la settimana, 25 settimane all'anno, il costo annuale di energia elettrica per il funzionamento di Landroid®L sarà di circa 8 €. Avete letto bene, 8 € all'anno. Una frazione di quello che spendereste in benzina per un rumoroso e inquinante tosaerba a scoppio.

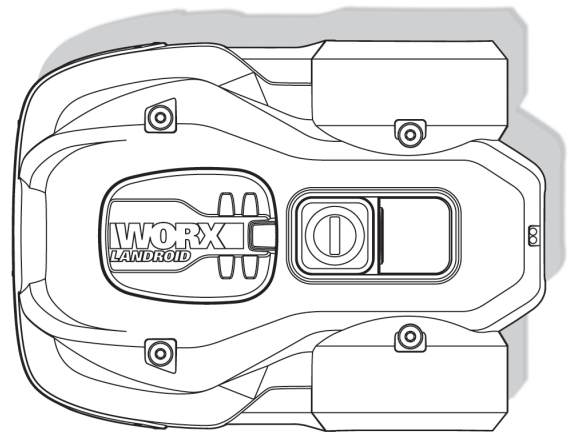
* Fonte: www.energy.eu

Preparazione

Nella confezione



Base di ricarica



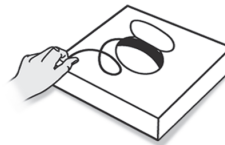
Landroid®L



Chiodi di ancoraggio



Lame di ricambio



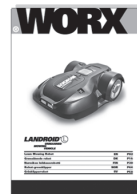
Bobina di filo perimetrale



Chiodi perimetrali



Cavo di alimentazione con trasformatore CA/CC

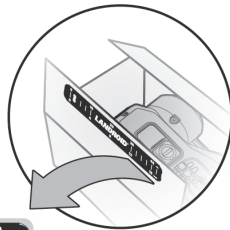


Manuale dell'utente

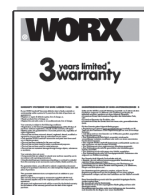


Guida d'installazione

Distanziatore del filo perimetrale



Guida alla programmazione e alla risoluzione dei problemi



Dichiarazione di garanzia



Chiave

Dal tuo garage



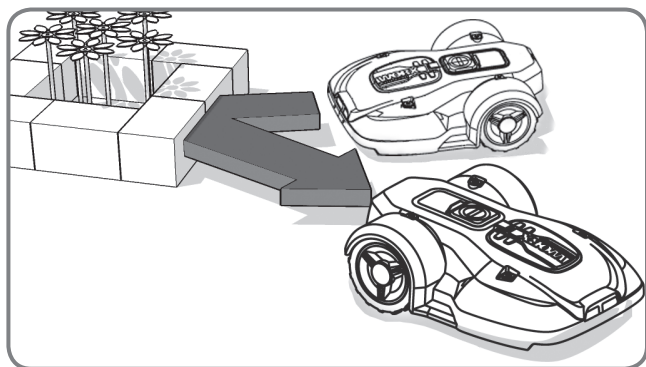
Forbici



Martello

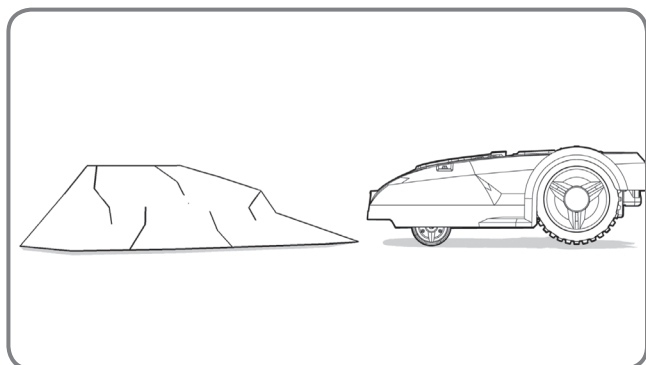
La nuova casa di Landroid®L: il vostro giardino

Iniziamo con uno sguardo più da vicino alla nuova casa di Landroid®L, il vostro prato, evidenziando le aree dove può tranquillamente andare e quelle che è meglio che Landroid®L eviti.



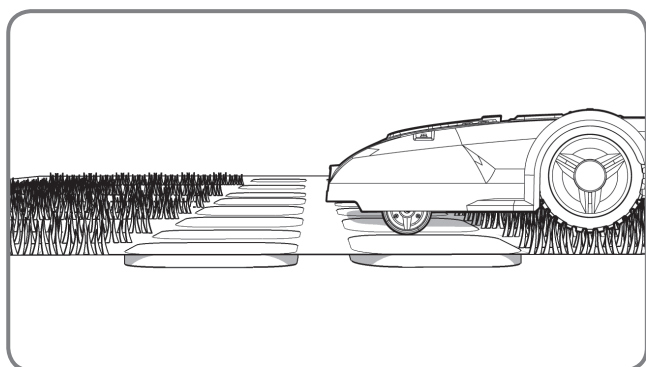
Ostacoli che possono essere urtati

Quando Landroid®L urta un ostacolo rigido, stabile e più alto di 15cm (ad esempio un muro o una palizzata), semplicemente si arresta e si dirige lontano dall'ostacolo.



Pietre

Pietre sufficientemente pesanti da non essere spostate da Landroid®L possono essere urtate, ma se presentano superfici inclinate su cui Landroid®L può arrampicarsi, devono essere rimosse o escluse dall'area di lavoro.

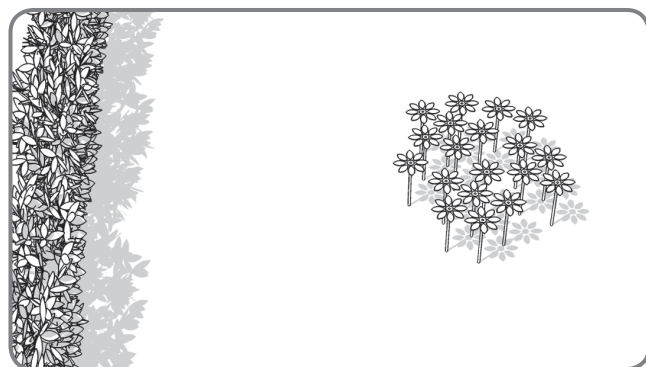
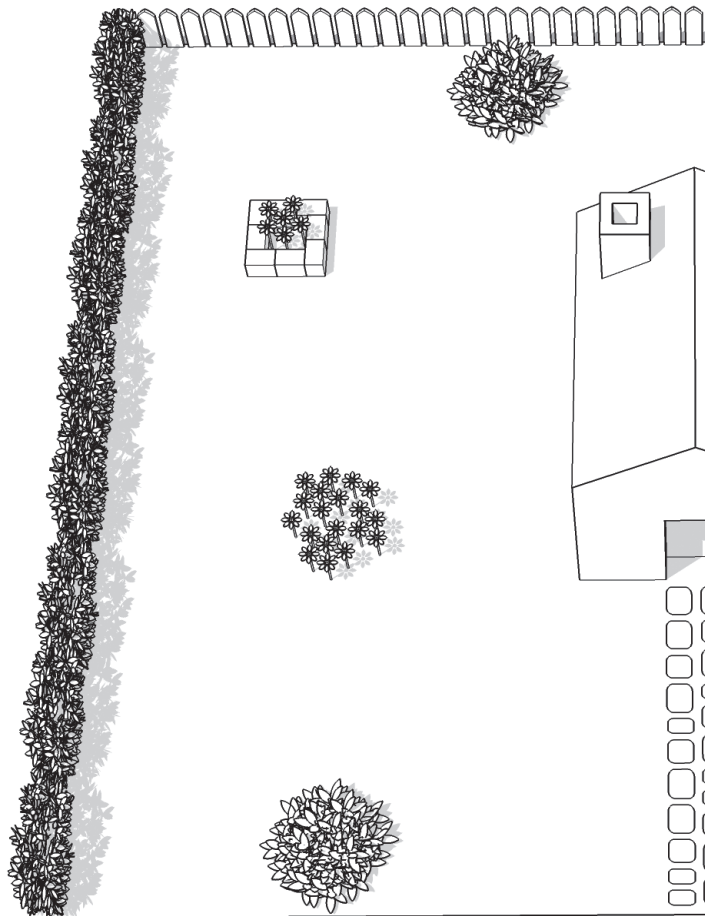


Vialetti

Se il vialetto è allo stesso livello del prato, senza nessuna sporgenza, Landroid®L può tranquillamente passarci sopra. Se si vuole che Landroid®L lo eviti, basta solo uno spazio di 10cm* tra il filo perimetrale e il vialetto.

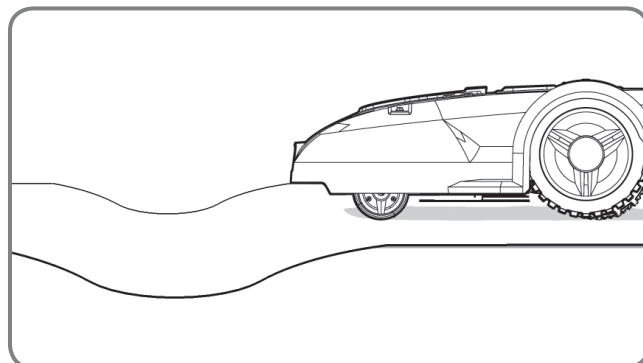
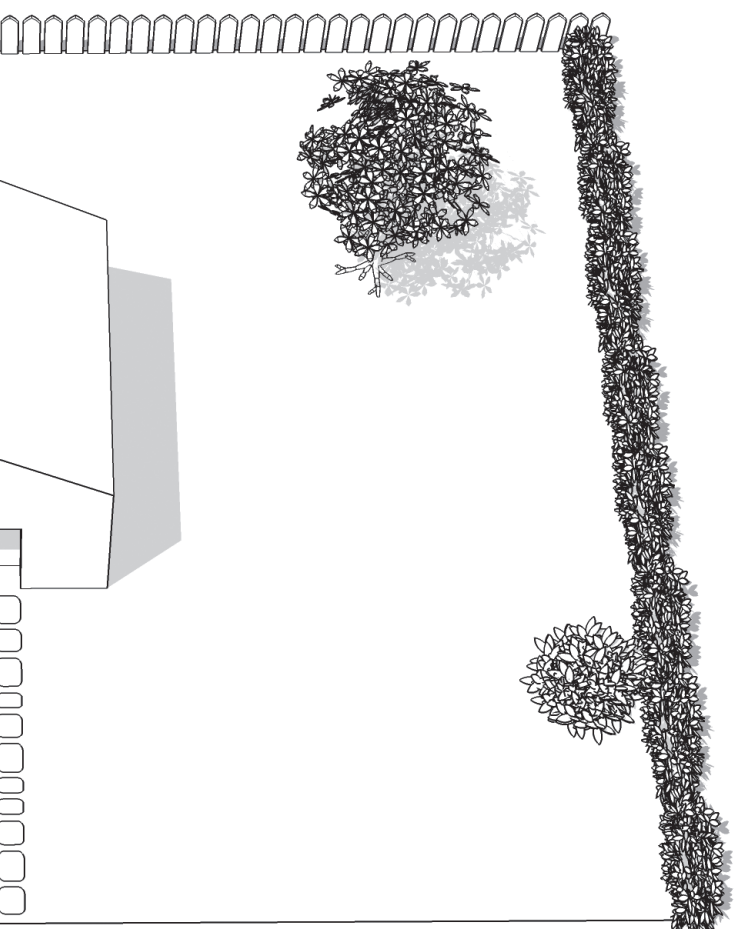
Se invece il vialetto è in ghiaia, è necessario evitare che Landroid®L si muova su di esso, utilizzando un distanziatore e lasciando uno spazio di 45cm*

* Questa è la distanza consigliata. Utilizzare il distanziatore per un'installazione adeguata.



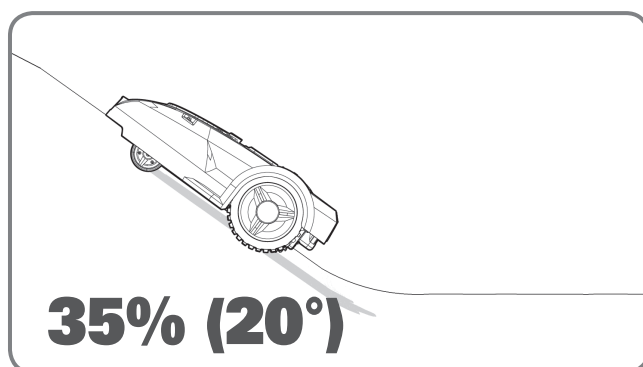
Aiuole, laghetti, piscine...

Sicuramente non vorrete che Landroid®L tagli i fiori né che cada in acqua, quindi queste aree devono essere escluse.



Avvallamenti e dossi

In caso di pendii accentuati, si dovrà valutare se le lame possano toccare il terreno. In tal caso, bisognerà procedere a smussare gli spigoli oppure a escludere queste zone dall'area di lavoro di Landroid®L.



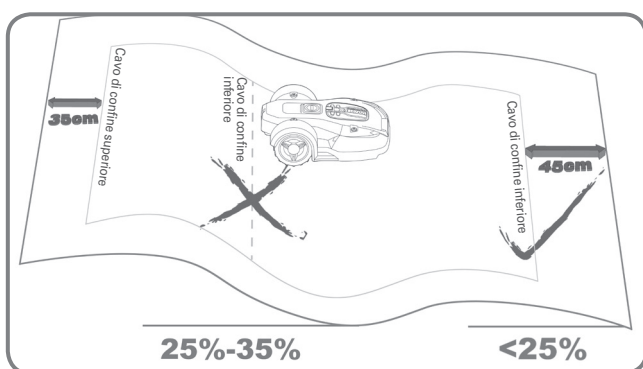
Superfici inclinate

Landroid®L può arrampicarsi su superfici inclinate fino a 20°. Evitare pertanto superfici con un'inclinazione maggiore.



Alberi

Tuttavia, se vi sono radici che emergono dal terreno, l'area deve essere esclusa per evitare di danneggiarle.



Sistemazione dei cavi di confine sui pendii

Il cavo del confine superiore NON va sistemato su pendenze superiori al 35% (20°). Il cavo di confine superiore deve avere una distanza di almeno 35cm dagli ostacoli. Il cavo di confine inferiore NON va sistemato su pendenze superiori al 25% (15°). Il cavo di confine inferiore si deve trovare a una distanza di almeno 45cm dagli ostacoli quando si trova su una pendenza del 25%.

Delimitazione dell'area di lavoro di Landroid®L nel giardino

Landroid®L deve sapere dove tosare. Ecco perché è necessario delimitare la sua area di lavoro con il filo perimetrale che formerà una sorta di limite invisibile e che guiderà inoltre Landroid®L alla base di ricarica.

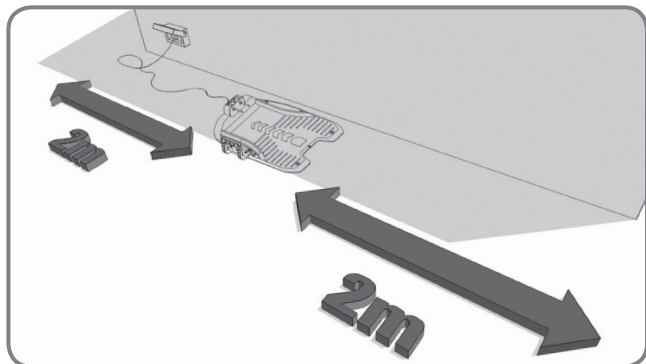
Se anche i vostri vicini usano un Landroid®L, occorre mantenere una distanza di almeno 2 metri tra il cavo di confine e loro.

Tenere presente che il vostro Landroid®L, non riuscirà a ricevere un segnale dal cavo di confine se la distanza supera i 25 mt.

Prima di tutto, individuare il posto migliore in cui collocare la base di ricarica, tenendo in considerazione il punto in cui si trova la più vicina presa elettrica.

La base di ricarica dispone di un cavo di alimentazione di 15m.

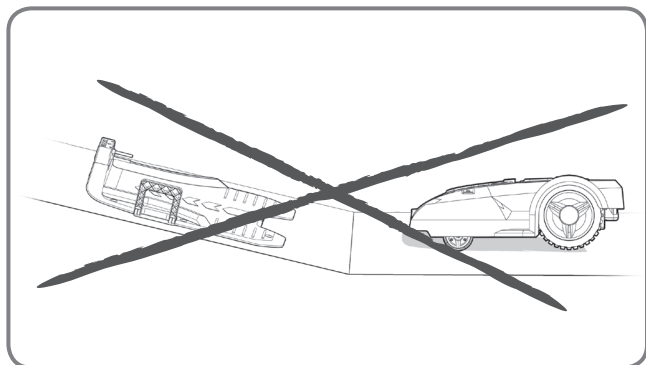
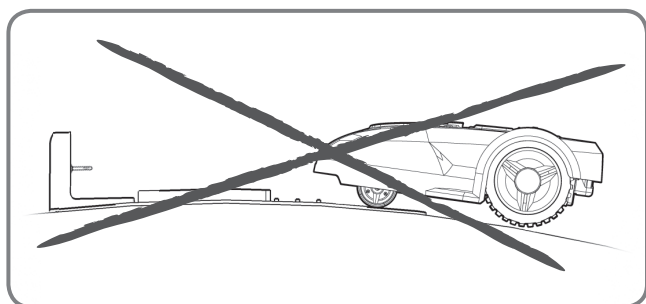
NOTA: Assicurarsi che il trasformatore e la presa di corrente siano sempre all'asciutto.



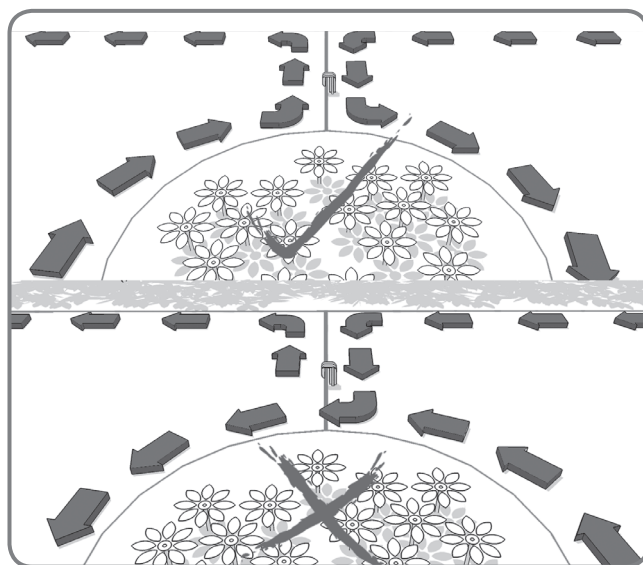
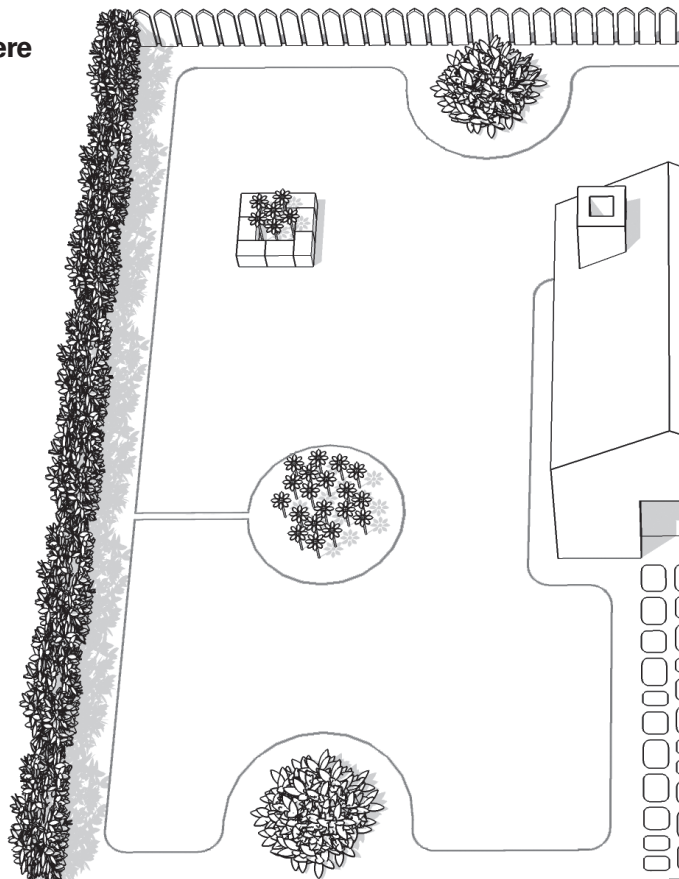
50

I

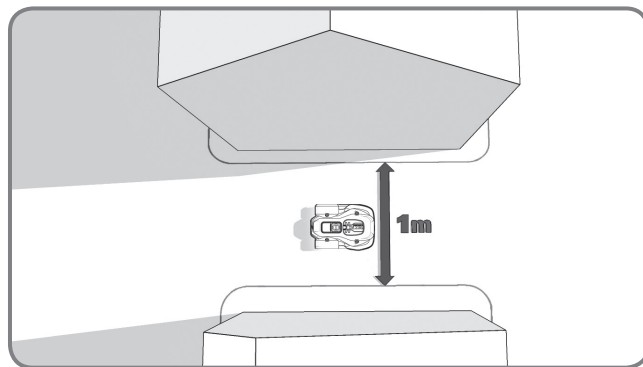
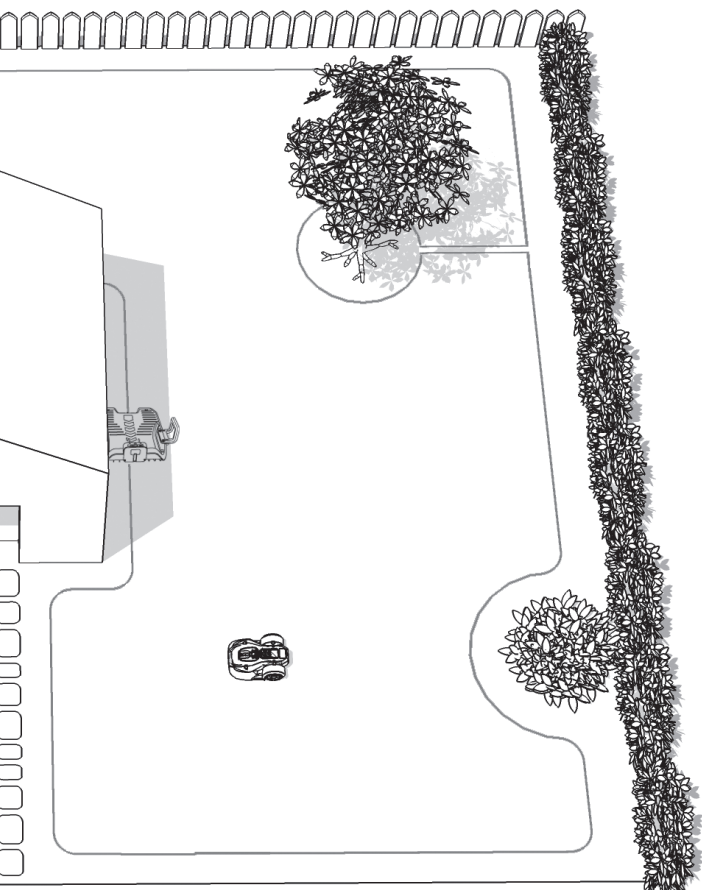
La base di ricarica deve essere collocata su una linea retta, con uno spazio di 2 metri sulla parte anteriore e posteriore. Se possibile, posizionare la base di ricarica all'ombra, in quanto le batterie si ricaricano più efficientemente in un posto fresco.



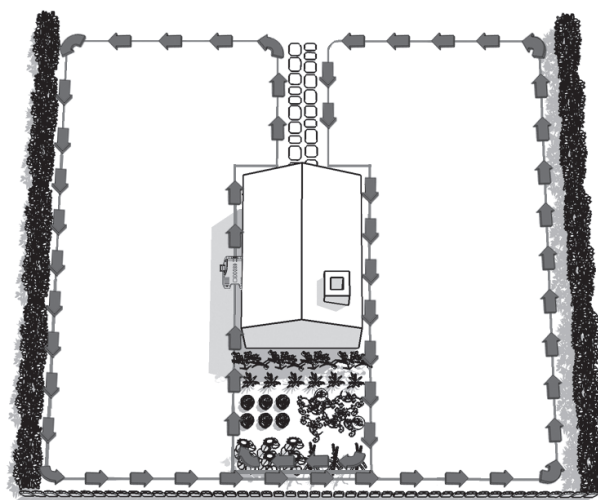
La base di ricarica deve essere collocata su una superficie piatta, priva di ostacoli.



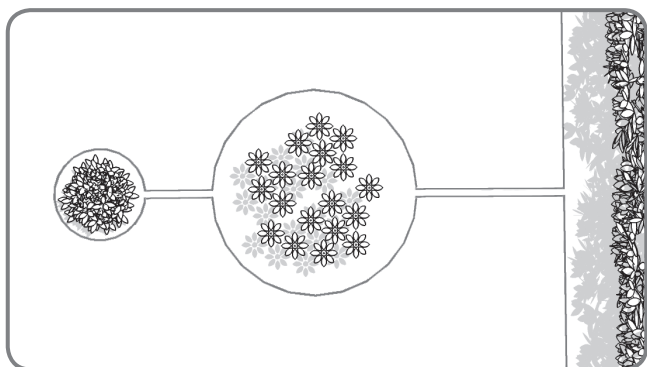
Chiameremo "isola" un'area all'interno del prato cui Landroid®L non avrà accesso. Il cavo perimetrale parte dal perimetro, prosegue dritto all'isola, la aggira e torna al perimetro, come mostrato dalle frecce nell'immagine.



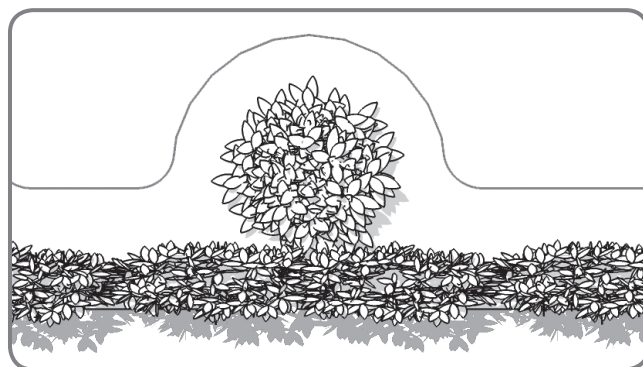
Se il prato è formato da due o più aree separate collegate da un passaggio, quest'ultimo deve essere largo almeno 1 metri.



Se i prati non sono collegati da un passaggio sufficientemente ampio, spostare manualmente Landroid®L sull'altro prato. Landroid®L toserà il prato senza problemi, ma sarà necessario riportarlo alla base di ricarica una volta scaricata la batteria.



Nel caso di due isole ravvicinate, sarà conveniente stendere il filo perimetrale come illustrato in precedenza. Landroid®L è in grado di muoversi liberamente sul filo perimetrale tra le isole e il perimetro stesso.

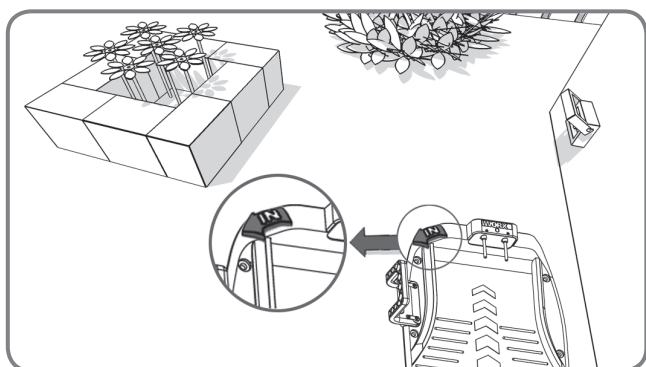


Una zona proibita che è vicina al perimetro deve essere parte del perimetro stesso, come mostrato nell'immagine.

Installazione

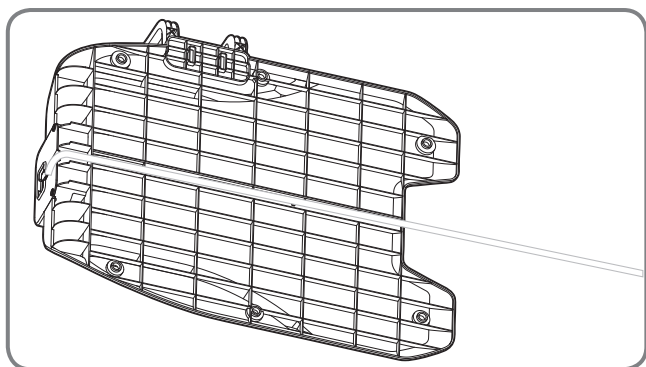
Per fissare il filo perimetrale

Si consiglia di tosare per la prima volta il prato nel punto in cui si deve stendere il filo utilizzando un normale tosaerba per prati. Questo assicurerà di stendere il filo il più vicino possibile al terreno in modo che Landroid®L non tagli accidentalmente il filo. Il filo perimetrale è alimentato a bassissima tensione ed è pertanto completamente sicuro per esseri umani e animali domestici.



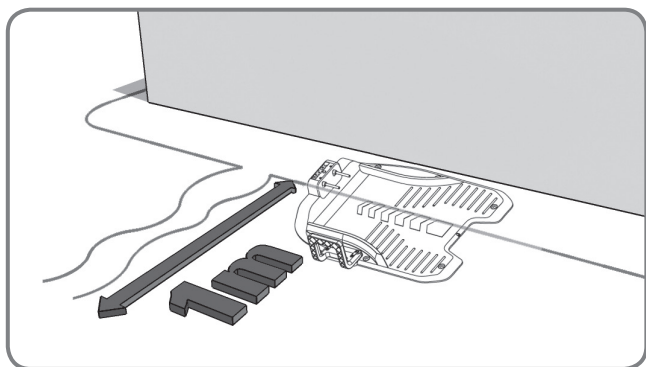
1

Collocare la base di ricarica nel posto stabilito, senza fissarla in modo definitivo. La freccia "IN" dovrà essere rivolta verso l'interno del prato.



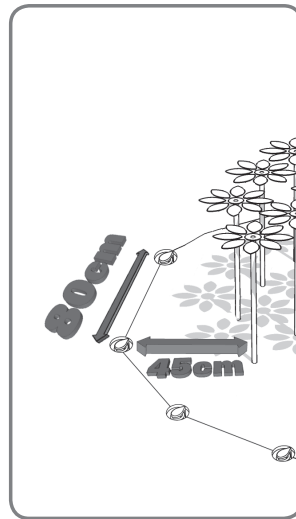
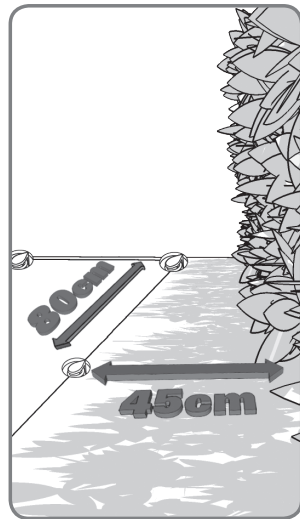
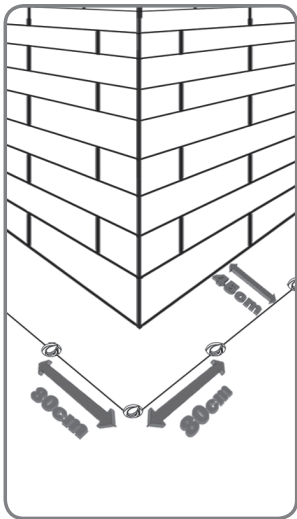
2

Fare passare il cavo di confine nel tunnel sotto la base di ricarica.



3

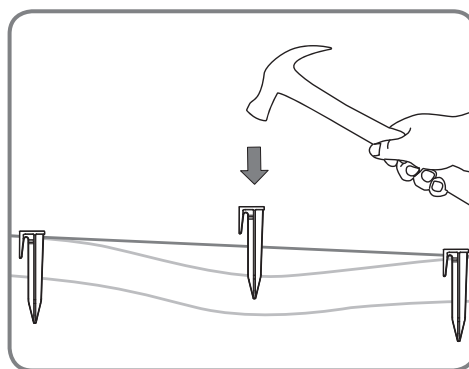
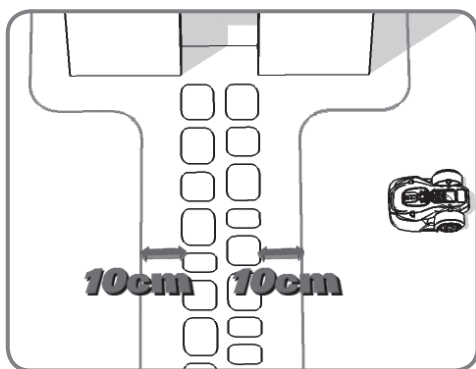
Lasciare circa 1 mt di cavo extra a partire dalla parte posteriore della base di ricarica e iniziare a fissare il cavo lungo il perimetro. Quando avete terminato di posare il cavo lungo il confine fino alla base di ricarica, lasciare un altro metro di cavo extra e poi tagliare.



4

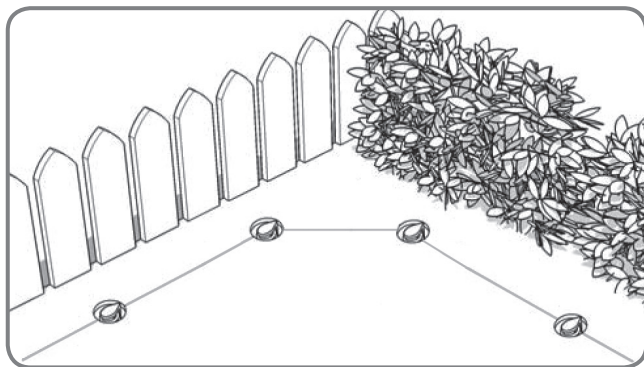
Quando si stende il filo perimetrale, utilizzare il distanziatore per mantenere uno spazio di 45cm* tra il filo e il perimetro. Tuttavia, in presenza di un ostacolo a livello del terreno e sicuro da percorrere perLandroid®L, come una vialetto o un marciapiede, è necessario solo uno spazio di 10cm*.

Ciascun picchetto deve essere posizionato ad una distanza di circa 80cm.



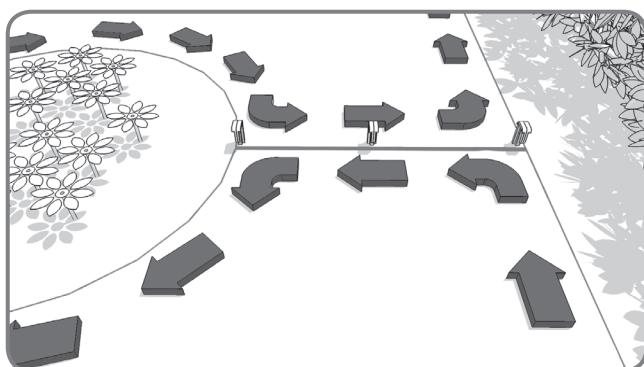
Inserire saldamente i picchetti nel terreno con il martello evitando di esercitare eccessiva pressione sul filo. Tenere il filo perimetrale e serrare i picchetti per evitare che si allenti.

* Questa è la distanza consigliata. Utilizzare il distanziatore per un'installazione adeguata.



5

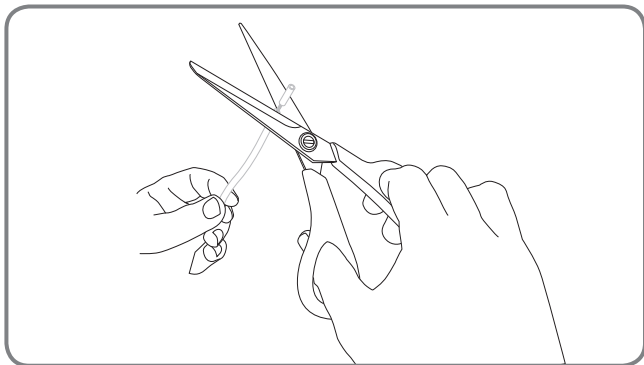
Assicurarsi che il filo sia teso.



6

Quando si crea un'isola col cavo perimetrale, seguire il percorso mostrato. Il cavo deve partire dal perimetro, definire l'isola, e poi tornare al perimetro. Il cavo perimetrale di andata deve essere posato adiacente a quello di ritorno tra l'isola ed il perimetro e deve essere fissato usando lo stesso picchetto. Durante il funzionamentoLandroid®L sarà capace di transitare liberamente sopra questa parte di cavo.

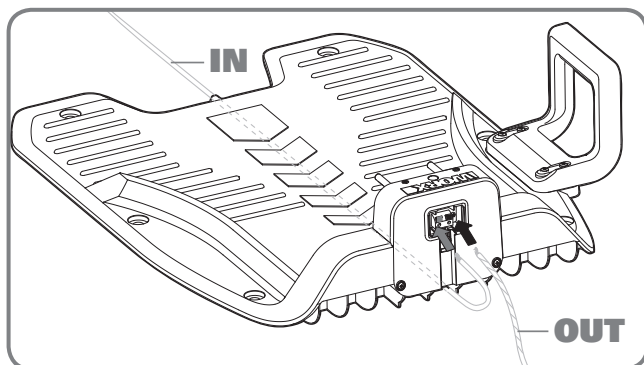
Collegare la base al filo perimetrale



1

Katkaise johtojen kaksi päätä pituuteen, jolla ne voi liittää helposti kiristimiin.

Kuori johtojen päät.



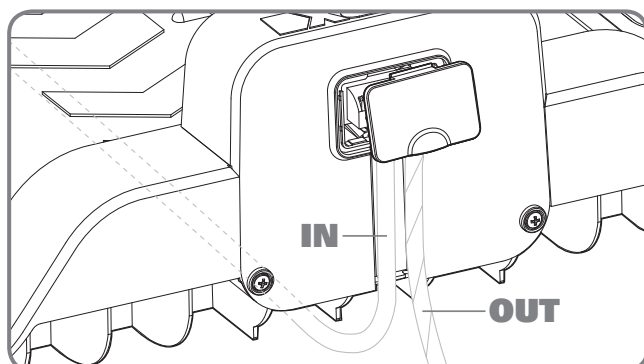
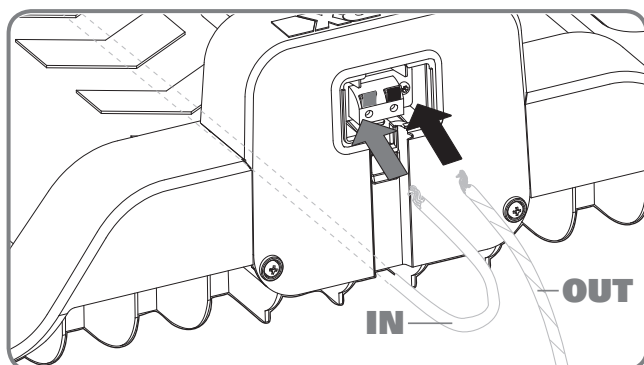
2

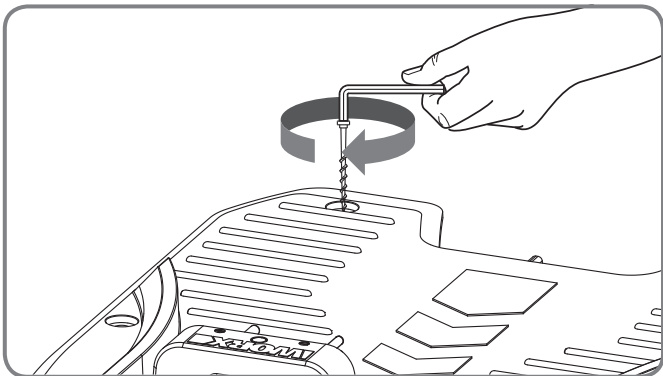
Kun liität latausalustan, huomioi IN (Sisään) -johto ja OUT (Ulos) -johto, kuten kuvassa. Collegare il filo IN al morsetto rosso della base di ricarica e il filo OUT al morsetto nero.

Quindi chiudere il coperchio.

54

I

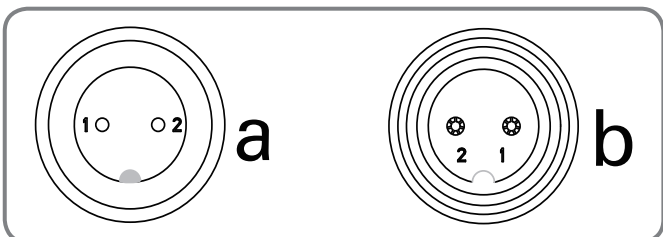




3

Ora si può procedere a fissare in maniera permanente la base di ricarica sul terreno serrando i picchetti di ancoraggio della base con la chiave esagonale in dotazione.

NOTA: Assicurarsi che la sezione d'ingresso del cavo sia diritta e si trovi sotto la parte centrale della base.



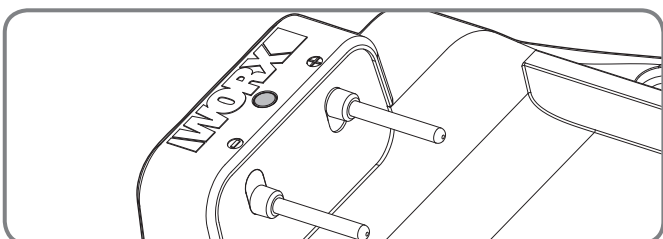
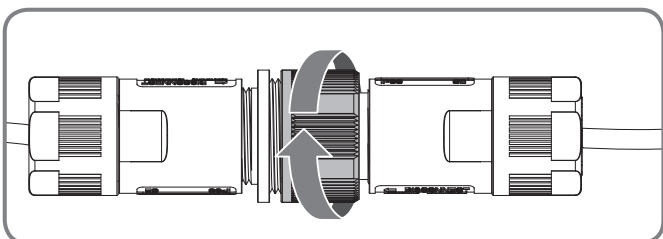
4

Collegare il cavo di alimentazione al trasformatore e quindi alla presa di rete CA. Il LED della base di ricarica si accende. Se il LED è spento, fare riferimento alla Guida alla risoluzione dei problemi. Quando si effettua il collegamento, allineare la tacca sul connettore del cavo di alimentazione (a) con la scanalatura sul connettore del trasformatore (b).

Assicurarsi di avvitare o svitare solo il pezzo evidenziato del connettore.

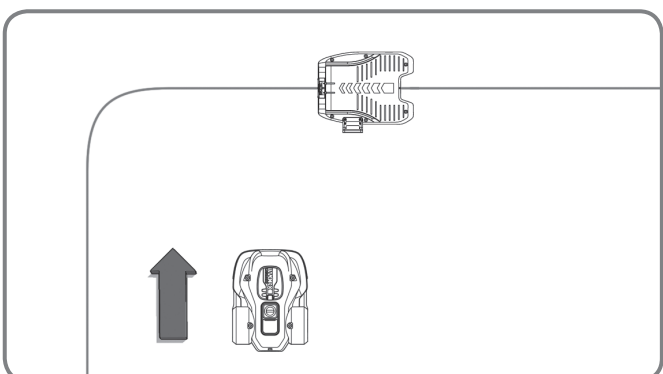
Se la luce verde non si accende controllare i collegamenti elettrici.

Se il cavo di alimentazione si trova all'interno dell'area di lavoro, potrebbe essere necessario interrarlo.



Accendere e testare l'installazione


Questa è la parte eccitante in cui si accende Landroid®L per la prima volta.

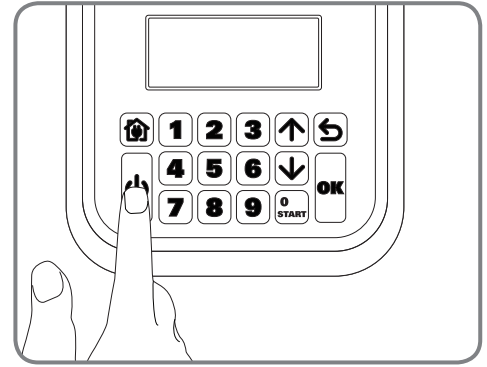
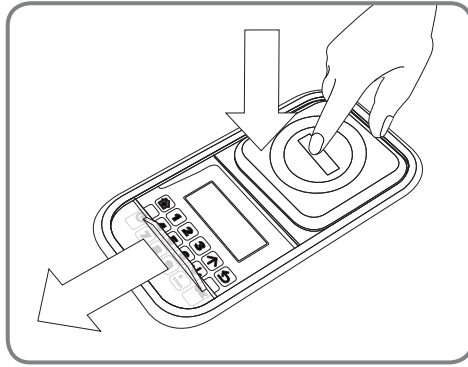



1

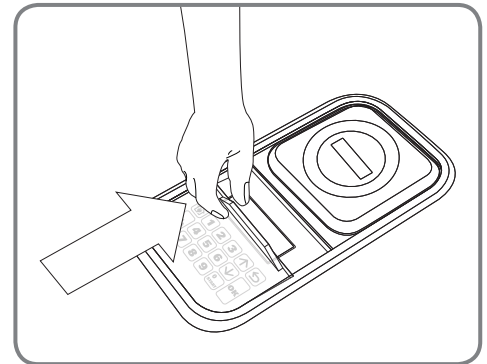
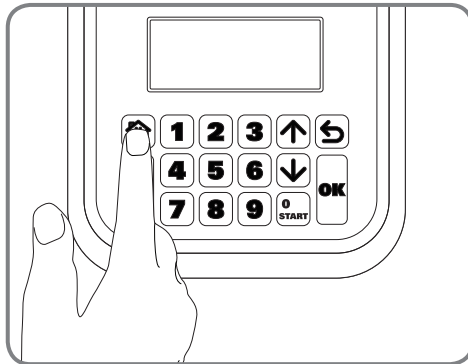
Posizionare Landroid®L all'interno dell'area di lavoro, a pochi metri di distanza dal retro della base di ricarica.

2

Aprire la finestra tastiera premendo il grande pulsante rosso sopra Landroid®L. Tenere premuto il tasto ON/OFF  di accensione finché Landroid®L non si accende, quindi inserire il PIN predefinito 0000.




Premere il tasto  e chiudere la finestra tastiera: Landroid®L quindi si muoverà fino alla base di ricarica. Guardare Landroid®L mentre torna alla base e modificare la posizione del cavo perimetrale, se necessario. Quando Landroid®L torna regolarmente alla base, significa che l'installazione è stata completata correttamente! Adesso Landroid®L inizierà a caricarsi.



NOTA: Se Landroid®L è nella base di ricarica nel momento in cui si è programmata la tosatura, basta premere il pulsante di STOP e chiudere la finestra tastiera per riprendere il taglio.



Avvertenza

- Se Landroid®L è all'esterno dell'area di lavoro, non si azionerà e sul display viene visualizzato il messaggio di errore "**Fuori area di taglio**". Riportare Landroid®L all'interno dell'area di lavoro e ripetere la fase 2.
- Se Landroid®L è all'interno del suo territorio ma il display visualizza il messaggio "**Fuori area di taglio**" e la luce LED è accesa,, significa che le estremità del cavo perimetrale sono state collegate in modo sbagliato. Invertire i collegamenti.
- Landroid®L deve rimanere sempre acceso. In caso di spegnimento, assicurarsi che alla riaccensione si trovi all'interno dell'area di lavoro.
- Se Landroid®L dovesse fermarsi accidentalmente, premere il tasto di STOP, aprire lo sportello, e premere sul tasto ON/OFF per riaccenderlo, correggere i problemi e premere su  e chiudere lo sportello.

NOTA: Per ulteriori informazioni, consultare la Guida alla programmazione e alla risoluzione dei problemi.

Programmazione

Una volta terminata l'installazione è ora di passare alla programmazione del percorso di Landroid®L usando il tastierino, come mostrato di seguito. Fare riferimento alla Guida alla programmazione ed alla Guida alla risoluzione dei problemi fornite in dotazione.

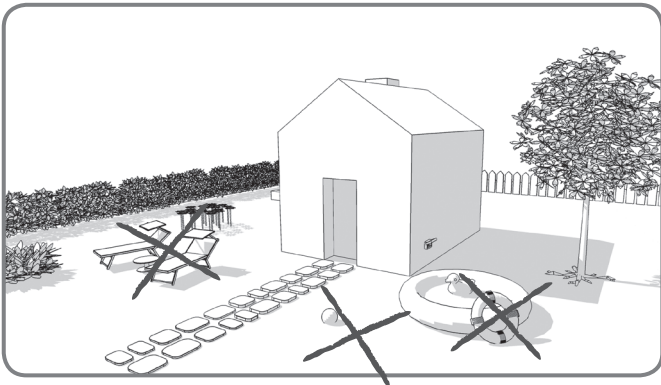


Pronti a partire?

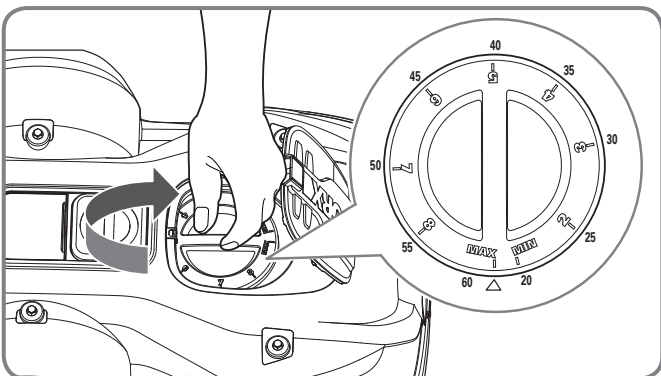
Landroid®L è progettato per mantenere l'erba all'altezza perfetta per tutta la stagione, ma non per deforestare una giungla.

In occasione del primo taglio,

1. È necessario tosare l'erba all'altezza desiderata.
2. Assicurarsi che l'area di lavoro sia priva di oggetti quali giocattoli e rami...




3. Alla prima tosatura, regolare l'altezza di taglio al livello massimo, quindi regolarla all'altezza preferita.

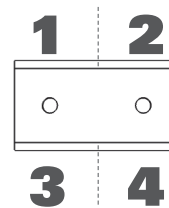


La prossima stagione fate in modo che Landroid®L venga messo in funzione presto, quando l'erba è ancora corta, in modo da evitare il taglio preliminare.

Mantenere affilate le lame

 Indossare sempre i guanti quando si regolano le lame.

Ogni lama delLandroid®L ha 4 estremità taglienti. A seconda della frequenza con cuiLandroid®L tosa l'erba del giardino e per ottenere un taglio perfetto, le lame devono essere periodicamente capovolte/ruotate. Ad esempio seLandroid®L è programmato per rasare l'erba ogni giorno, le lame devono essere ruotate ogni mese per garantire una tosatura ottimale. Ogni lama durerà 4 mesi se il dispositivo è programmato per tagliare l'erba ogni giorno. Quando le lame sono smussate e usurate devono essere sostituite dalle lame di ricambio fornite conLandroid®L. Le lame di ricambio sono anche disponibili dal rivenditoreWORX più vicino.



Manutenzione

Landroid®L è progettato e costruito per rimanere all'esterno, incurante delle condizioni atmosferiche avverse. Landroid®L necessita soltanto di una pulizia periodica dai frammenti d'erba che si accumulano per una tosatura senza problemi, anno dopo anno, stagione dopo stagione. Non lavare l'apparecchio con pistole ad alta pressione. Possono danneggiarne la batteria.

Rimessaggio invernale

Sebbene sia resistente, si consiglia di riporreLandroid®L nella rimessa o nel garage durante l'inverno. Prima del rimessaggio invernale, effettuare una carica completa diLandroid®L per prevenire possibili danni alla batteria. Sarà quindi possibile scollegare la spina della base di carica. Un buon sistema per prolungare la vita utile della batteria è di ricaricarla periodicamente durante l'inverno. Una carica completa ogni 3 mesi sarà sufficiente. Si consiglia inoltre di coprire la base con un foglio di nylon durante l'inverno.

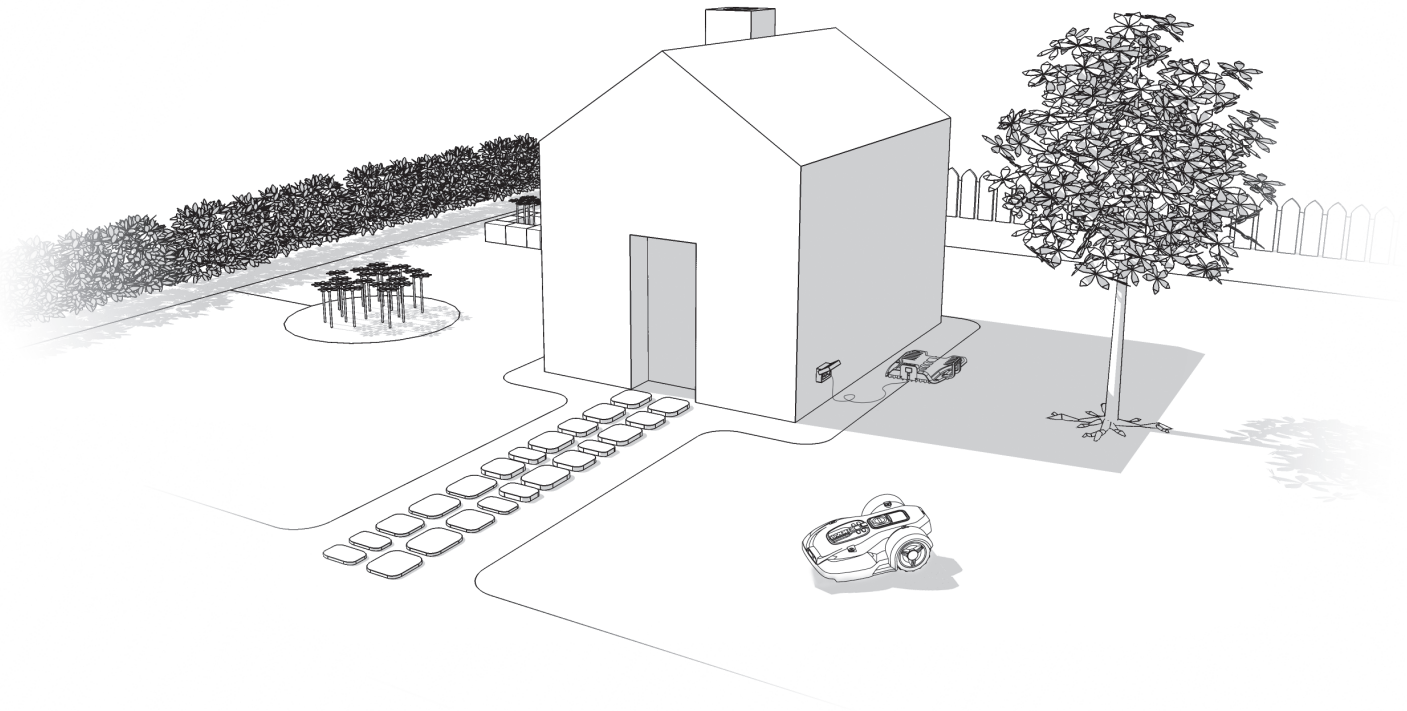
Sicurezza

Landroid®L è sicuro per esseri umani e animali domestici. Prima di tutto, vi è una grande distanza tra il bordo esterno della macchina e le lame. Inoltre, i sensori di inclinazione arrestano immediatamente le lame se l'unità viene sollevata dal terreno.

Protezione

Landroid®L è protetto con un codice PIN, che impedisce l'utilizzo del prodotto da parte di persone non autorizzate. Una volta portato fuori dalla sua area di lavoro, non potrà essere riavviato da nessuno che non conosce il codice PIN. Ciò significa che il proprietario stesso non sarà in grado di riavviareLandroid®L nel caso in cui dimentichi il PIN! Si consiglia caldamente di annotare il codice PIN qui per riferimenti futuri. Meglio ancora: registrareLandroid®L online sul sito www.worxlandroid.com e registrare il codice PIN. Sarà sempre possibile accedere al proprio codice PIN online.

Annotare qui il codice PIN



Cómo instalar el Landroid®L

60

ES

La instalación de Landroid®L es sencilla. Según el tamaño de su jardín, tardará muy poco en llevar a cabo todo el proceso. Al igual que nosotros, es muy probable que odie tener que malgastar su valioso tiempo libre cortando el césped. Landroid®L le demostrará ser su mejor inversión, ya que no tendrá que cortar el césped nunca más.

Puede ver el vídeo de demostración de instalación en www.worxlandroid.com.

A Landroid®L le encanta cortar el césped

Se ha diseñado para cortar el césped con frecuencia, permitiéndole disfrutar de un césped más verde y de mejor aspecto como nunca antes. Según el tamaño de su jardín, Landroid®L puede programarse para funcionar en cualquier momento o con la frecuencia que desee sin ningún tipo de restricción. Hará el trabajo por usted.

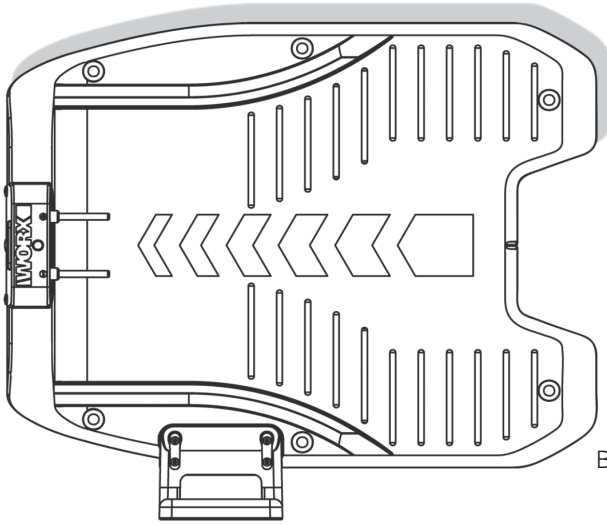
Coste de funcionamiento

¿Preocupado por la factura de la luz? Hagamos unos cálculos: si deja que su Landroid®L trabaje 3 horas al día, 5 días a la semana, 25 semanas al año, su Landroid®L le costará alrededor de 8 € en electricidad*. Sí, 8 € al año. Una fracción de lo que su ruidoso y contaminante cortacésped gastarían en gasóleo.

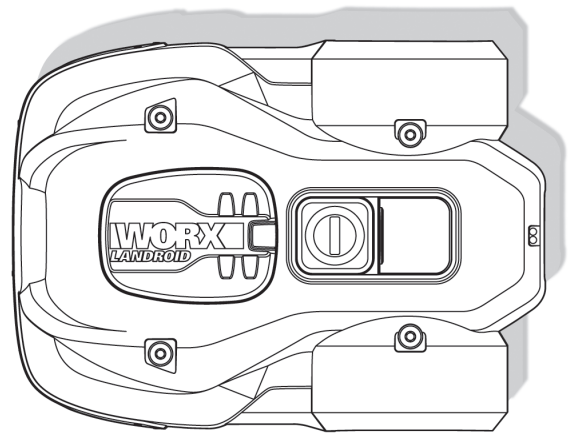
* Fuente: www.energy.eu

Preparación

En la caja



Base de carga



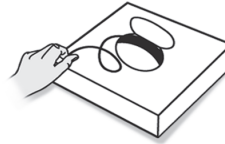
Landroid®L



Estacas de sujeción de la base



Hojas de repuesto



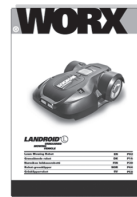
Carrete de alambre delimitador



Estacas delimitadoras



Cable de alimentación con transformador AC/DC

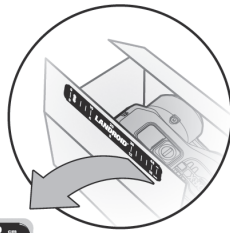


Manual del propietario



Guía de instalación

Medidor de distancia del cable delimitador



Guía de programación y de solución de problemas



Eclaración de garantía



Llave hexagonal

Del cobertizo



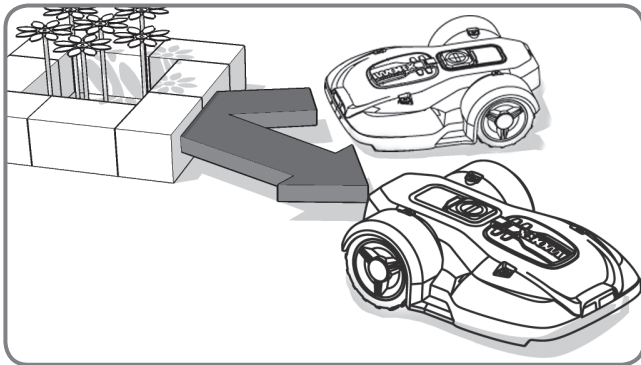
Tijeras



Martillo

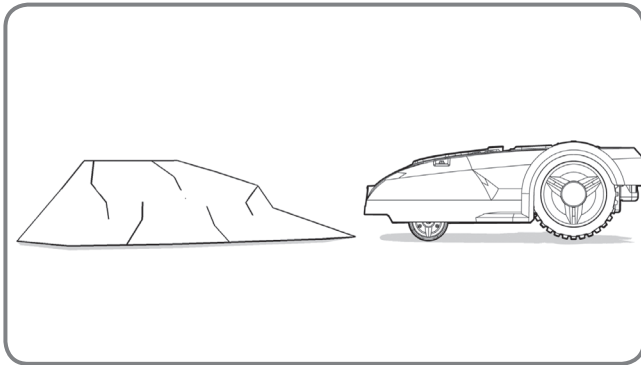
El nuevo hogar de su Landroid®L - su jardín

Empecemos por echar un vistazo más de cerca al nuevo hogar de su Landroid®L, su césped, destacando aquellas zonas dónde puede ir con seguridad y las zonas que es mejor evitar.



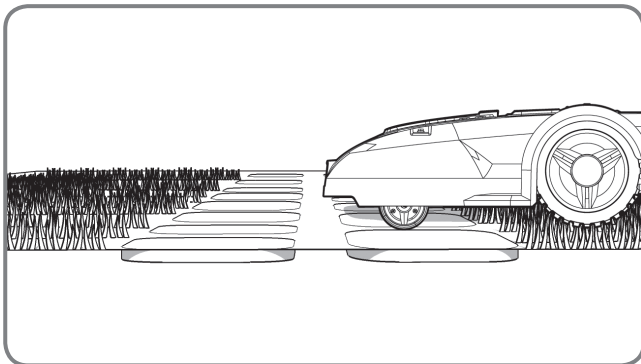
Obstáculos con los que puede chocar

Al chocar contra cualquier obstáculo que sea rígido, estable y más alto de 15cm, como un muro o una valla, su Landroid®L simplemente se detendrá y se alejará del obstáculo.



Piedras

Las piedras que son lo suficientemente pesadas como para no moverse con la acción del Landroid®L se pueden alcanzar de forma segura. Sin embargo, si la piedra tiene una superficie inclinada en la que su Landroid®L puede subir, debería eliminarla o excluirla de la zona de trabajo.

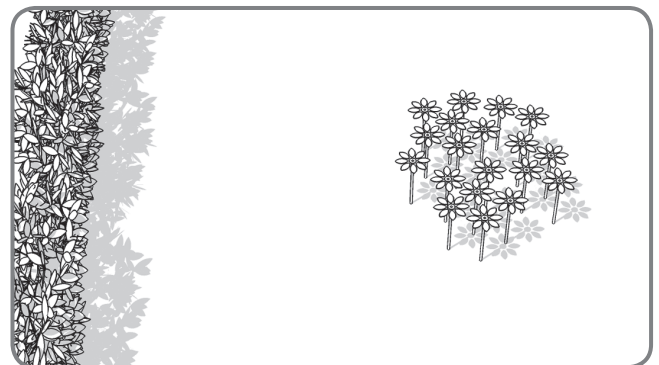
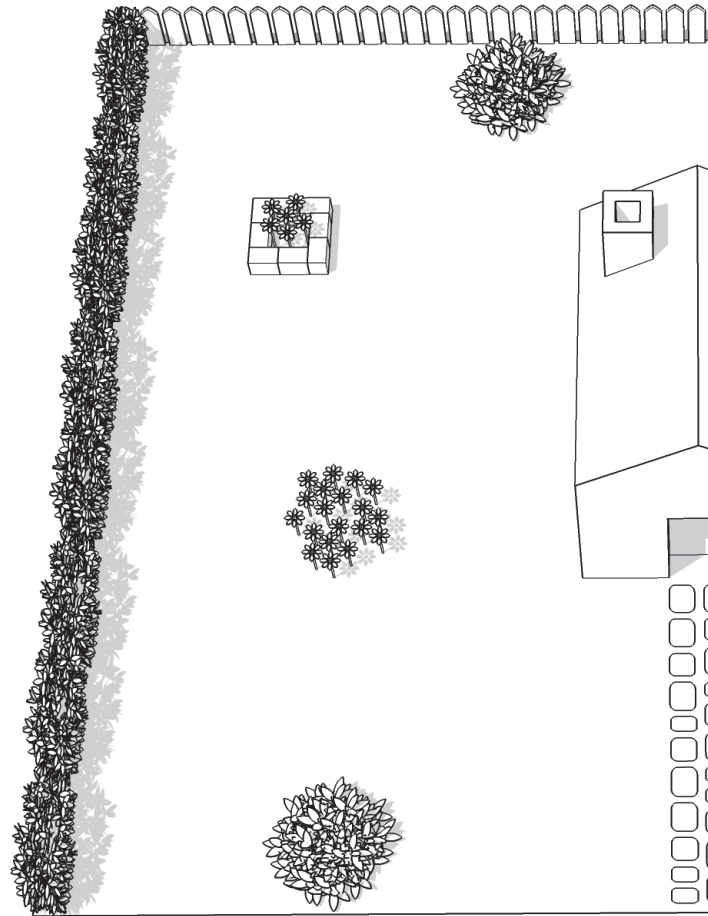


Entradas de vehículos

Si su camino es a nivel del césped, sin ninguna superficie que sobresalga, el Landroid®L puede moverse libremente sobre él. Si quiere que Landroid®L la evite, solo es necesaria una distancia de 10cm* entre el cable delimitador y la entrada.

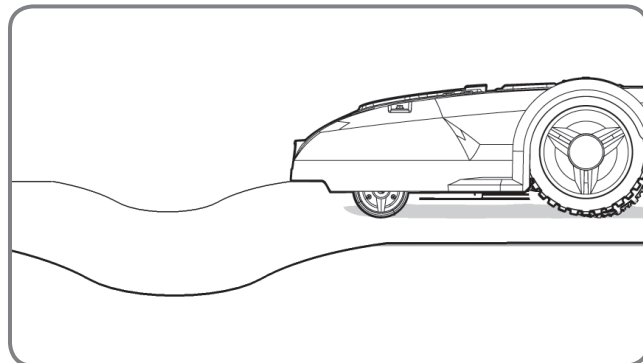
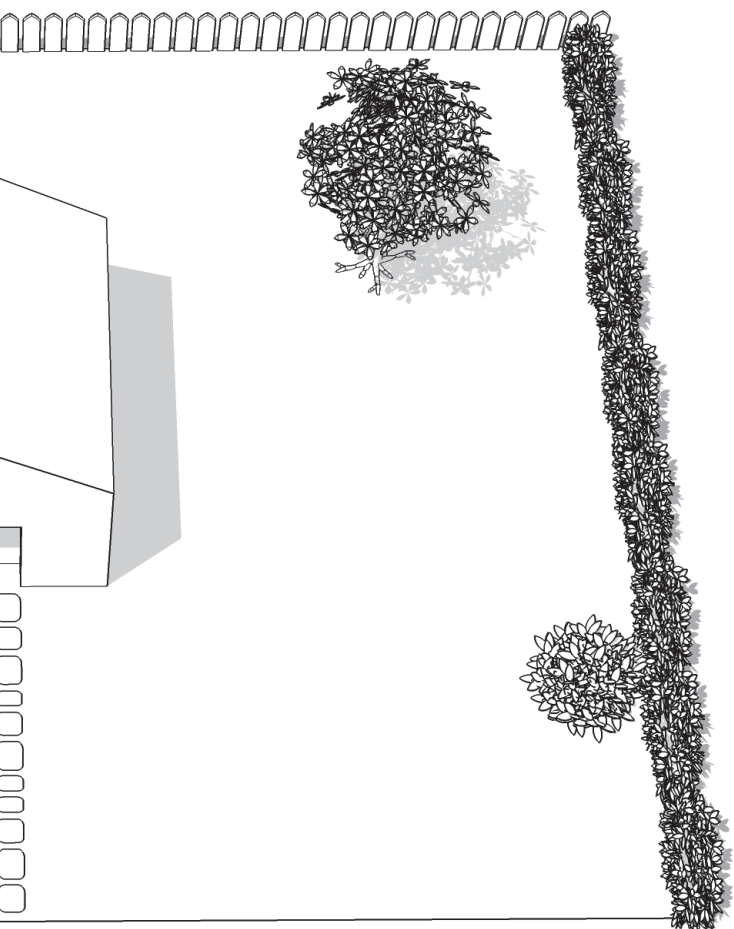
Si está cubierto de grava, no debe permitir que el Landroid®L se desplace sobre ella. Utilice el medidor de distancia de separación en este caso, manteniendo una distancia de 45cm* entre el cable delimitador y la entrada.

* Esta es la distancia recomendada. Utilice el calibre de distancia proporcionado para garantizar la instalación adecuada



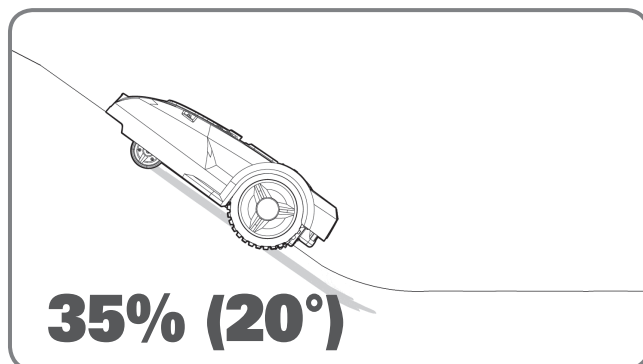
Parterres, estanques, piscinas...

Seguro que no quiere que su Landroid®L corte las flores o caiga en el agua. Estas zonas tienen que evitarse.



Protuberancias y depresiones

En el caso de bultos y hoyos grandes, tenga en cuenta si las hojas del Landroid®L pueden tocar el suelo. Si este es el caso, o bien suavizar la rampa, o bien excluir esas áreas de la zona de trabajo de su Landroid®L.



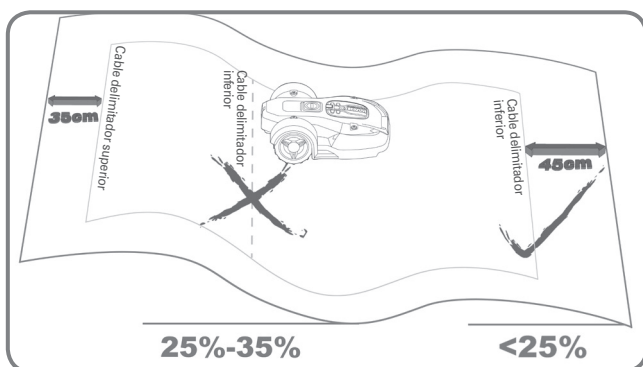
Pendientes

Su Landroid®L tiene la capacidad de subir de forma segura por pendientes de hasta 20°, por lo que evite pendientes más pronunciadas que estas.



Árboles

Sin embargo, si hay raíces que sobresalen del terreno, esta zona debe evitarse para no dañar las raíces.



Instalación del Cable Delimitador en pendientes

El Cable Delimitador Superior NO debe ser colocado en pendientes con una inclinación superior al 35% (20°). El Cable Delimitador Superior debe respetar una distancia mínima de 35cm respecto a cualquier obstáculo. El Cable Delimitador Inferior NO debe ser colocado en pendientes con una inclinación superior al 25% (15°). El Cable Delimitador Inferior debe respetar una distancia mínima de 45cm respecto a cualquier obstáculo cuando esté colocado en una pendiente con una inclinación de un 25%.

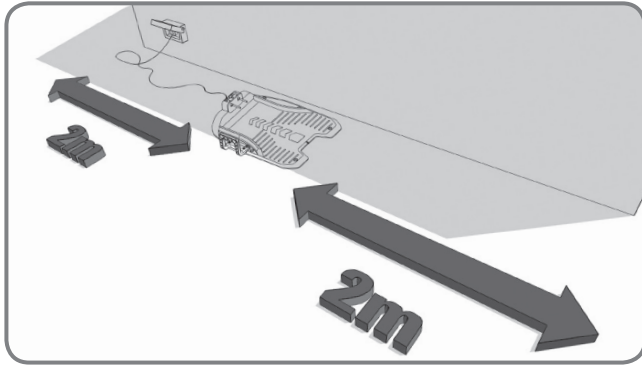
Delimitar el territorio del Landroid®L en su jardín

Su Landroid®L necesita saber dónde tiene que cortar el césped. Por eso tiene que marcar la zona de trabajo con el cable delimitador que formará una barrera invisible. Este cable también orientará a su Landroid®L hacia la base de carga. Si su negocio también utiliza un Landroid®L, entonces debe guardar una distancia de por lo menos 2 metros entre su Cable Delimitador y sus vecinos.

Tenga presente que su Landroid®L no podrá recibir una señal del Cable Delimitador a una distancia superior a 25m.

En primer lugar, localice el mejor sitio para la base de carga teniendo en cuenta la situación del enchufe exterior más cercano. La base de carga tiene un cable de 15m.

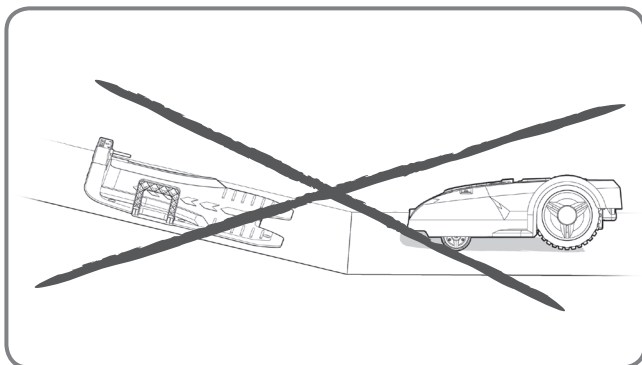
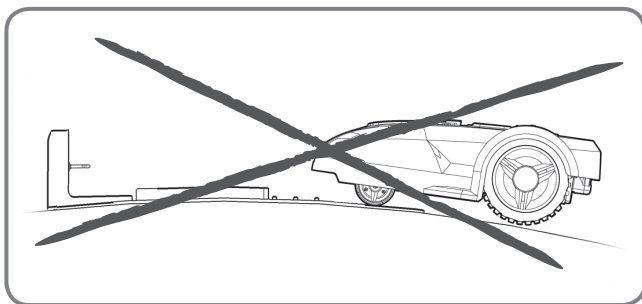
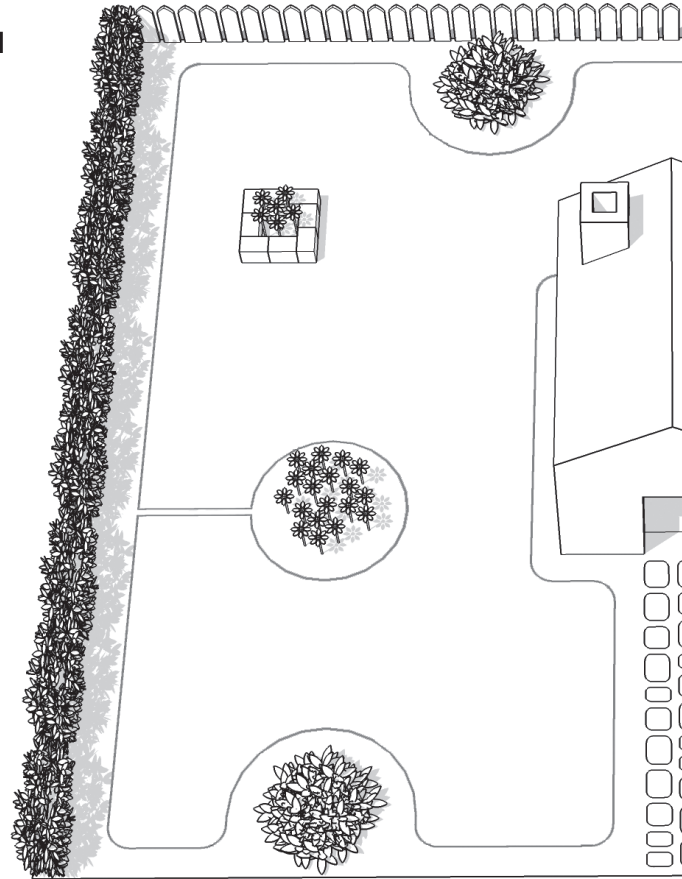
NOTA: asegúrese de que el transformador y la toma de corriente se encuentren en un lugar seco en todo momento.



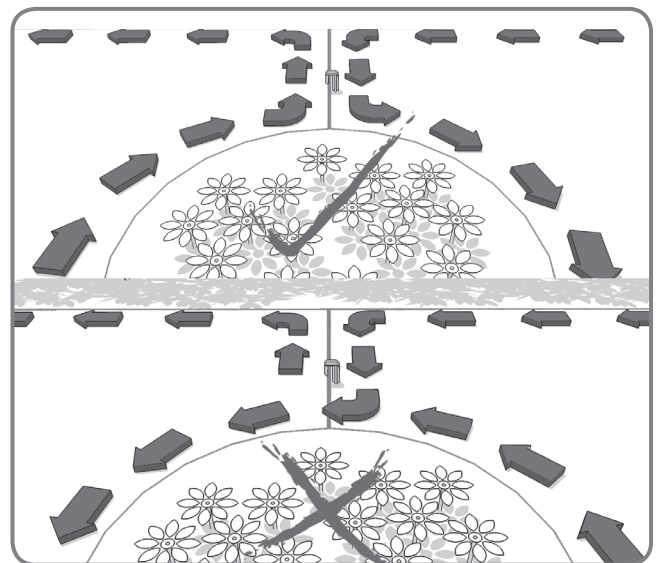
64

ES

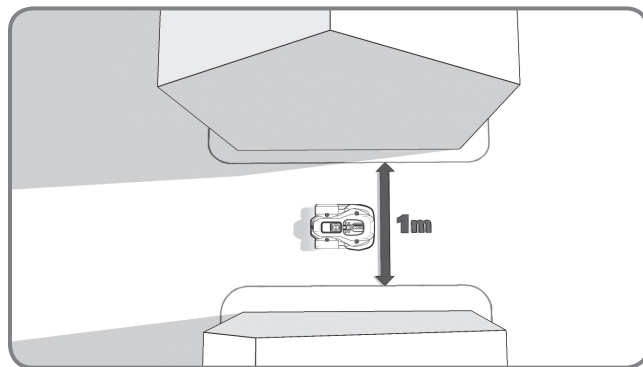
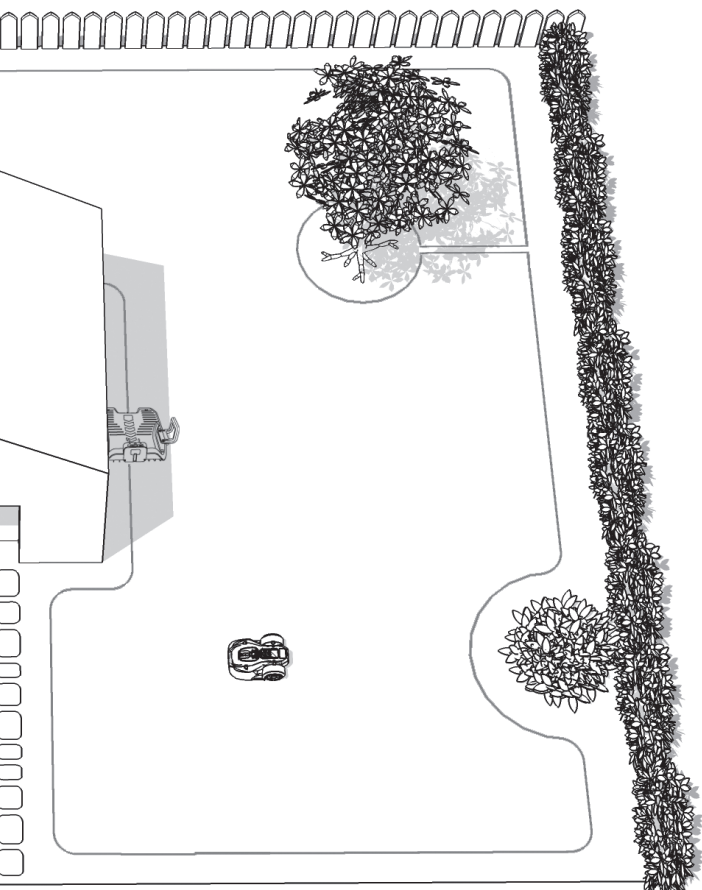
El cargador se debe colocar a lo largo de una línea recta, con 2 metros de margen tanto en la parte delantera como en la parte posterior. Si es posible, coloque la base de carga a la sombra, las baterías se recargan mejor en un lugar fresco.



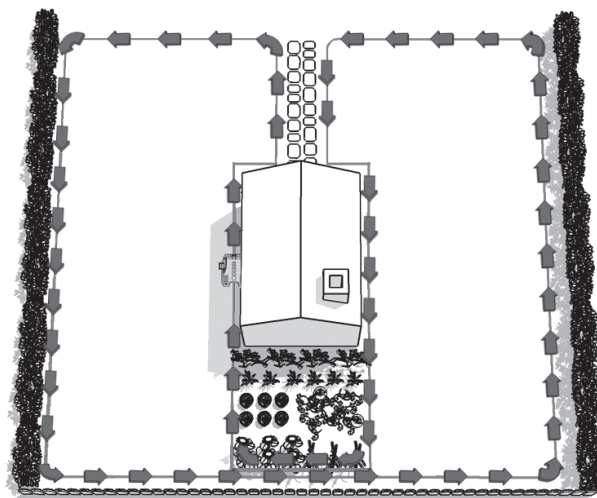
Asegúrese de que la superficie es plana y libre de obstáculos.



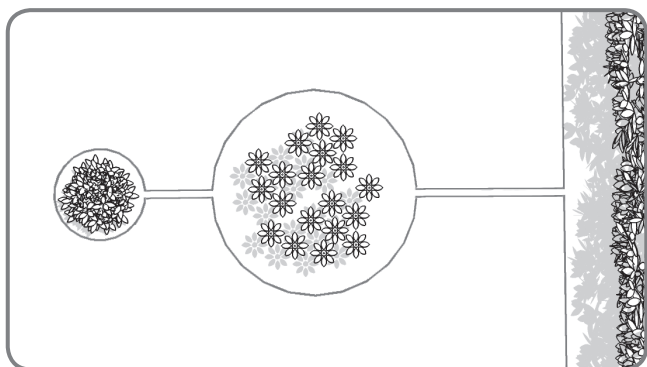
Una isla es un área que se encuentra dentro de su césped en el que no quiere que el Landroid®L vaya. El cable delimitador comienza en el límite de corte, sigue recto hasta la isla, la rodea y vuelve al límite, tal y como se muestra en las flechas de la ilustración.



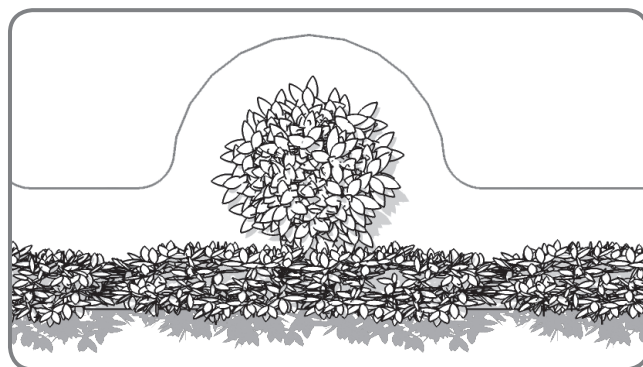
Si su césped tiene dos áreas o más separadas entre sí por medio de un pasillo, este debe ser por lo menos de 1 metros de ancho.



Si sus áreas de césped no están conectadas por un pasillo lo suficientemente ancho, entonces tendrá que coger su Landroid®L y llevarlo al otro césped. El Landroid®L cortará el césped sin problema, pero tendrá que llevarlo de vuelta a la base de carga cuando la batería se agote.



En el caso de que hayan dos islas cerca una de la otra, sería conveniente colocar el cable como se ilustra en la figura de arriba. El Landroid®L puede desplazarse libremente a lo largo del cable delimitador que hay entre las islas y el perímetro de trabajo.

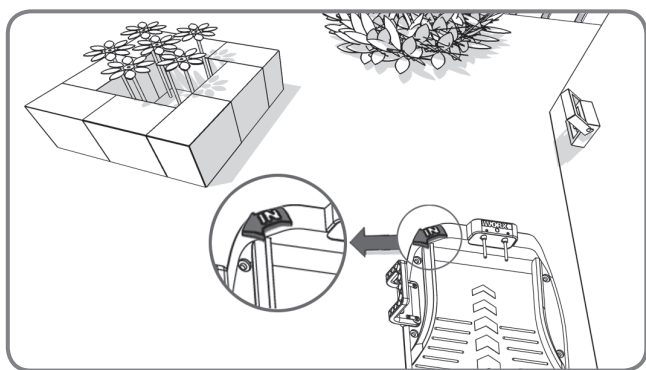


Una zona prohibida, que se encuentra próxima al límite de corte, debe formar parte del propio límite, tal y como se muestra en la ilustración.

Instalación

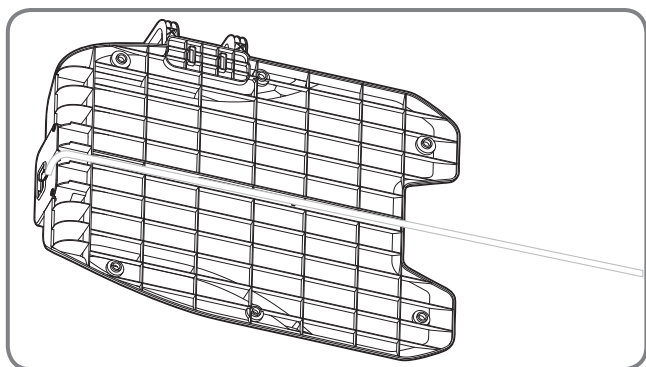
Fijación del cable delimitador

Le recomendamos que primero corte el césped de la zona donde vaya a colocarse el cable mediante un cortacésped normal o una podadora. Esto asegura que el cable se coloca lo más cerca posible del suelo para que el Landroid®L no lo corte accidentalmente. El cable delimitador se alimenta con una tensión muy baja por lo que es totalmente seguro para las personas y animales domésticos.



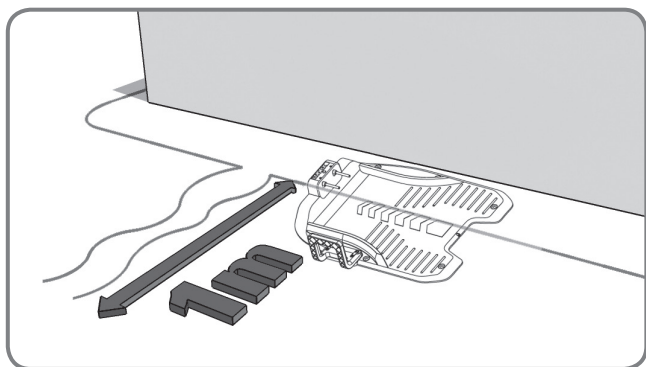
1

Coloque la base de carga en el lugar designado sin fijarla de forma definitiva. La flecha "IN" debe orientarse hacia la parte interior de su césped.



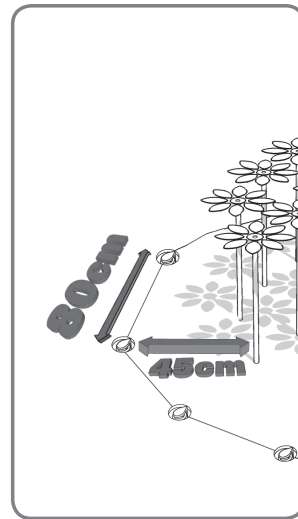
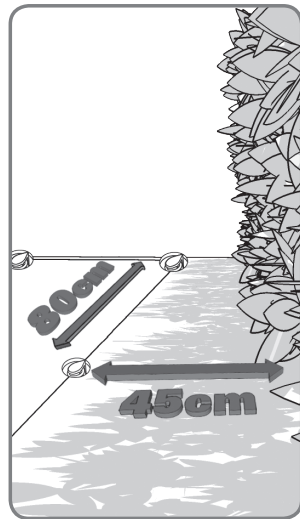
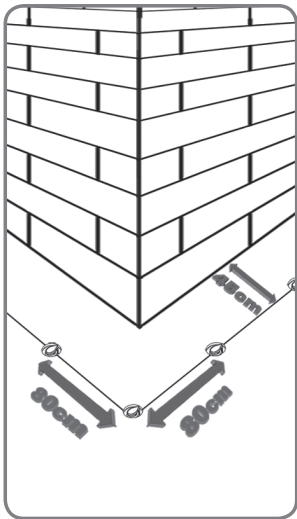
2

Introduzca el cable delimitador a través del túnel bajo la base de recarga.



3

Dejando cerca de 1 metro de longitud de cable extra, desde la parte posterior de su base de recarga comience a sujetar el cable a lo largo del límite de su terreno. Cuando haya finalizado de extender el cable alrededor del límite de su terreno y de vuelta a la base de recarga, deje otro metro extra de cable y entonces córtelo.



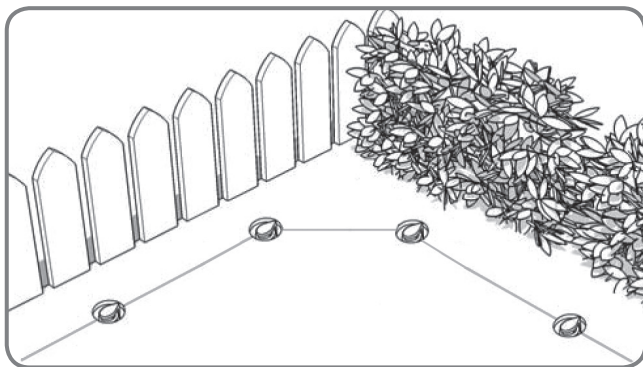
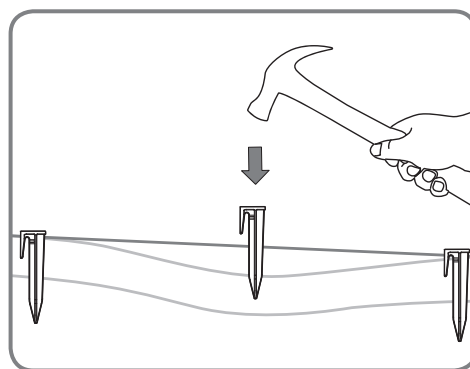
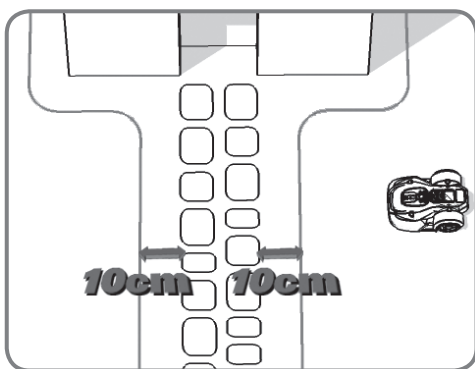
4

Al colocar el cable delimitador, utilice el medidor de distancia para mantener un espacio de 45cm* entre el cable y el perímetro. Sin embargo, en el caso de que haya un obstáculo a nivel de suelo y seguro para el desplazamiento del Landroid®L, como una entrada o acera, entonces solo se necesita un espacio de 10cm*.

El espacio entre las clavijas del cable delimitador debe ser de 80cm

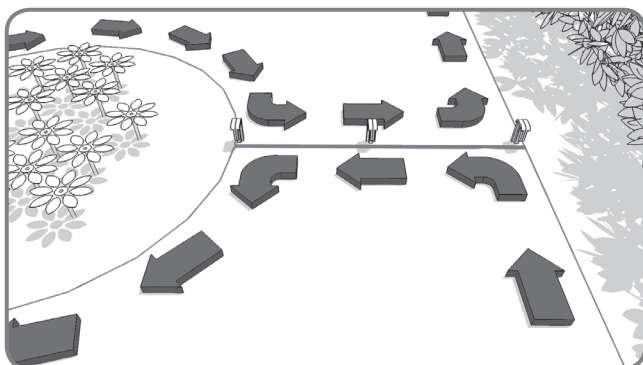
Clave con firmeza las clavijas de protección en el suelo con la ayuda de un martillo, aunque evite ejercer demasiada presión sobre el cable. Mantenga el cable delimitador recto y ajustado entre las clavijas, no debería haber ningún cable flojo.

* Esta es la distancia recomendada. Utilice el calibre de distancia proporcionado para garantizar la instalación adecuada



5

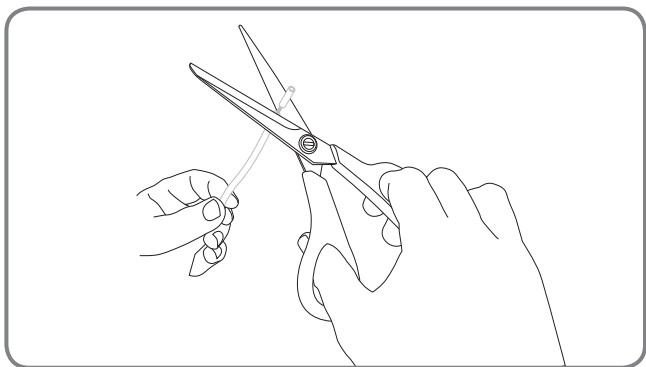
Asegúrese de que el alambre de limitador está perfectamente estirado en cada esquina.



6

Al crear una isla con el cable delimitador, siga la ruta tal y como se indica. El cable debe ir desde el perímetro para trazar la isla definida y volver de nuevo al perímetro. El cable delimitador ubicado entre la isla y el perímetro debe colocarse en una situación cercana y sujetarse con el mismo pasador delimitador. En funcionamiento, Landroid®L podrá pasar sin problemas por esta parte del cable.

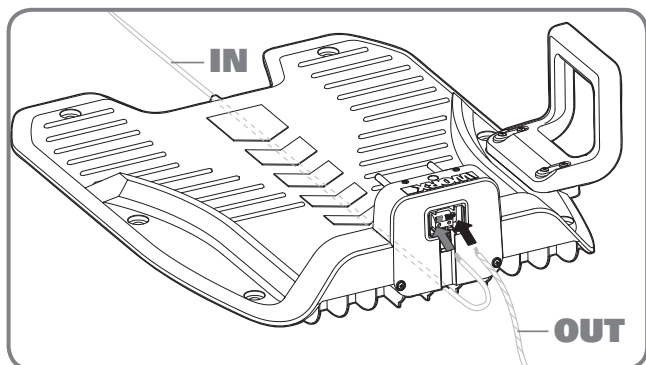
Conectar la base al cable delimitador



1

Corte los dos extremos del cable con la longitud adecuada para llegar a las pinzas.

Despoje los dos extremos del cable.



2

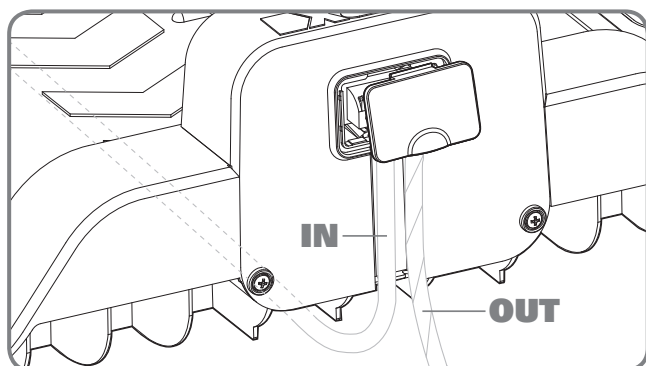
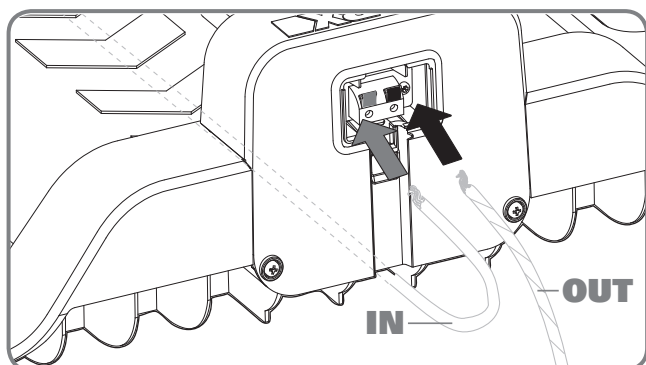
Cuando se conecte a la base de carga habrá un cable de entrada y un cable de salida, tal como se muestra en la figura.

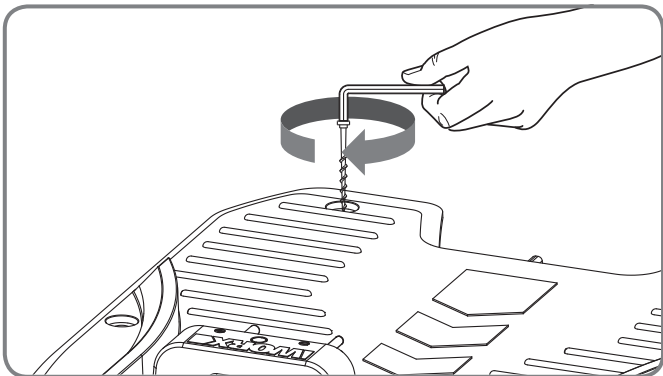
Conecte el cable de entrada (IN) a la abrazadera de color rojo de la base de carga y el cable de salida (OUT) a la abrazadera de color negro.

A continuación, cierre la cubierta.

68

ES

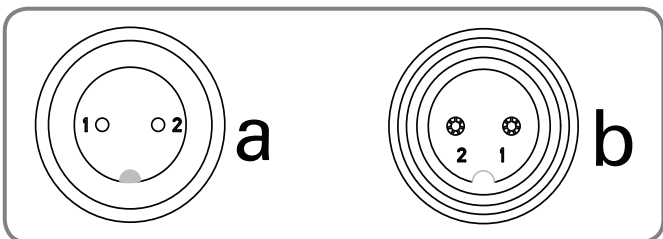




3

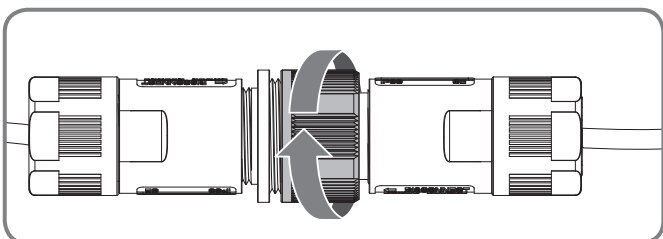
Ahora puede fijar de forma permanente la base de carga en el suelo apretando las clavijas de retención de la base con la llave hexagonal suministrada.

NOTA: Asegúrese de que el cable de entrada pasa en línea recta por debajo del centro de la base de carga.



4

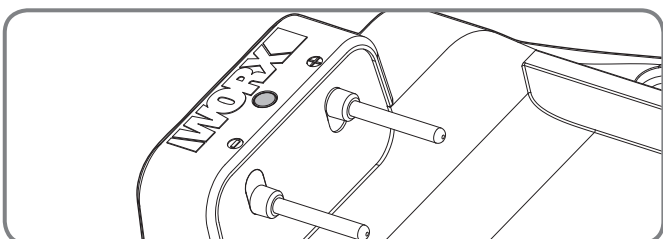
Conecte el cable de alimentación al transformador y luego a la toma de corriente AC, el LED de la base de carga se encenderá. Si el indicador LED está apagado, consulte la Guía de solución de problemas. Al conectar, alinee la muesca en el conector del cable de alimentación (a) con la ranura en el conector del transformador (b).



Asegúrese de que solo enrosca o desenrosca la parte destacada del conector.

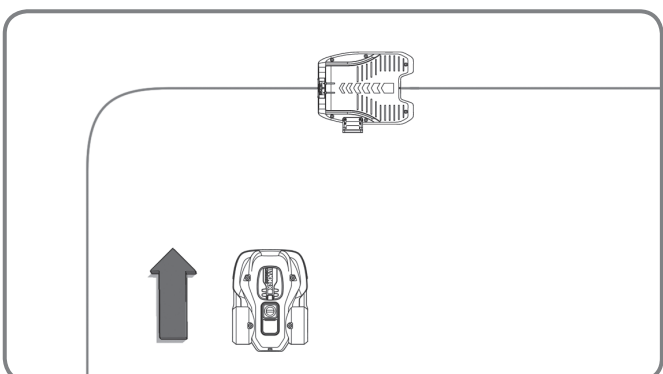
Si no se enciende la luz verde, compruebe las conexiones de alimentación.

En caso de que el cable de alimentación esté dentro de la zona de trabajo, puede enterrarlo lo que sea necesario.



Encender y probar la instalación


Esta es la parte emocionante en la que podrá poner en marcha su Landroid®L por primera vez.

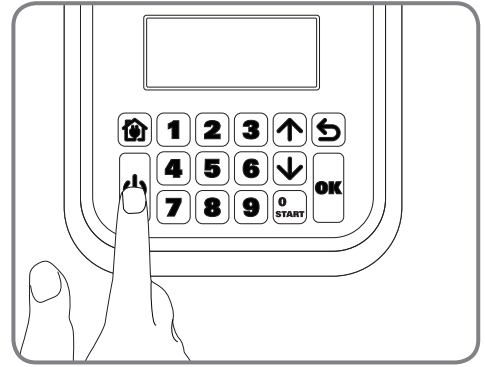
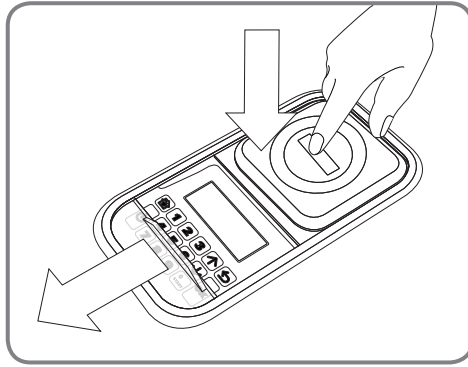



1

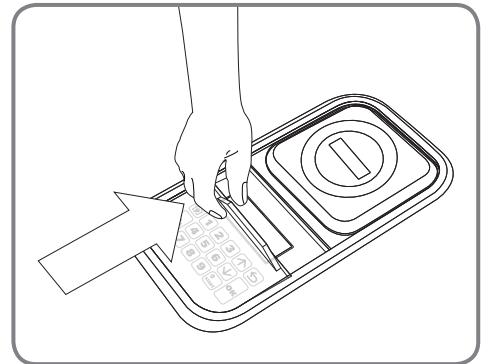
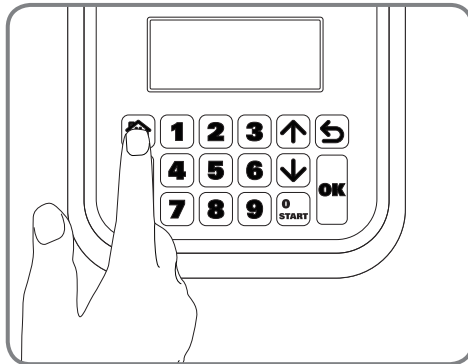
Coloque el Landroid®L dentro del área de trabajo, a pocos metros de la parte posterior de la base de carga.

2

Abra el panel del teclado pulsando el gran botón rojo que hay en la parte superior del Landroid®L. Pulse y mantenga pulsado la tecla ON/OFF  hasta que el Landroid®L se encienda. Introduzca el PIN predeterminado 0000.



Pulse la tecla  y cierre el panel del teclado: su Landroid®L buscará el camino hacia la base de carga. Observe como Landroid®L vuelve a la base de carga y modifica la posición del cable delimitador, si fuera necesario. Si Landroid®L vuelve con éxito a la base de carga, esto significa que la instalación se ha llevado a cabo correctamente. Ahora su Landroid®L comenzará a cargarse por completo.




70
ES

NOTA: Si su Landroid®L está en la base de carga durante un tiempo que lo había programado para cortar el césped, simplemente presione el botón de STOP y cierre el panel del teclado para enviar el aparato de nuevo a cortar el césped.



Advertencia

- Si su Landroid®L está fuera de su territorio, no se moverá y la pantalla mostrará el error **“fuera del área de trabajo”**. Colóquelo otra vez dentro de su territorio y repita el paso 2.
- Si su Landroid®L se encuentra dentro de su territorio, pero la pantalla indica **“fuera de la zona de corte”** y el indicador LED está encendido, esto significa que ha sujetado los extremos del cable delimitador de forma incorrecta. Inviértalos.
- El Landroid®L debe permanecer siempre encendido. Si alguna vez tiene que apagarlo, entonces asegúrese de colocarlo dentro del perímetro de trabajo antes de volverlo a encender.
- Si su Landroid®L deja de funcionar inesperadamente, simplemente presione el botón STOP, abra su ventana de teclado numérico, coloque su botón ENCENDIDO/APAGADO en la posición de ENCENDIDO, corrija los problemas, presione el botón  y cierre su ventana de teclado numérico.

NOTA: Consulte la Guía de programación y resolución de problemas para obtener más información.

Programación

Una vez finalizada la instalación, ha llegado el momento de programar Landroid®L para configurar cuando quiere que se ponga en funcionamiento, utilizando la pantalla de teclado mostrada a continuación. Consulte la Guía de programación y solución de problemas incluida en la caja.

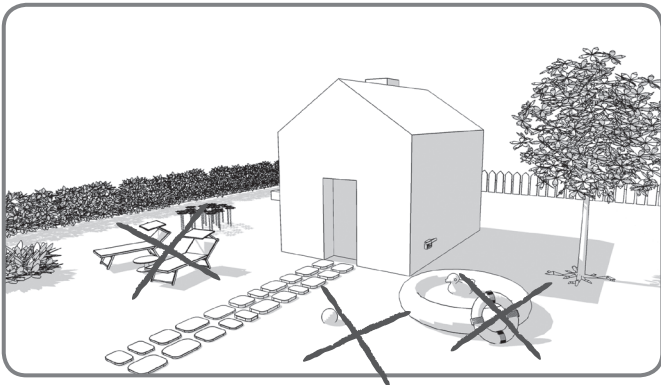


¿Está listo?

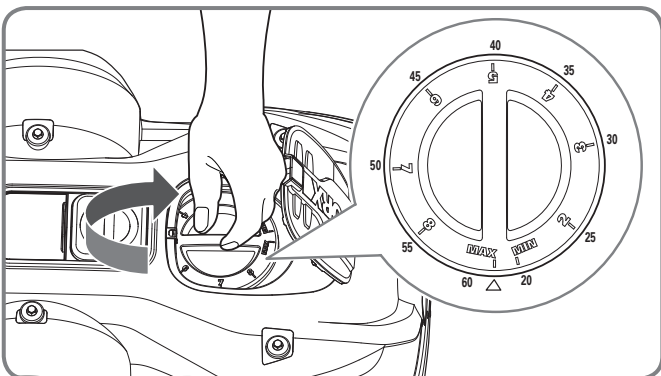
El Landroid®L está diseñado para mantener el césped en una longitud perfecta durante la temporada, pero no está diseñado para deforestar una selva.

Antes de usar por primera vez,

1. Debería cortar el césped a la altura deseada.
2. Asegúrese de que el área de trabajo está limpia de objetos tales como juguetes y ramas...



3. Ajuste la altura de corte de césped a su nivel máximo la primera vez y luego ajústela a su altura de preferida.



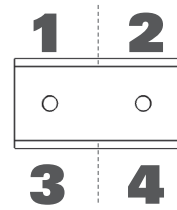
La próxima primavera ponga el Landroid®L a cortar césped un poco antes, cuando la hierba es todavía baja, así puede evitar el corte de césped preliminar.

Mantenerlo afilado



Utilice siempre guantes cuando ajuste las hojas.

Cada hoja de su Landroid®L tiene 4 bordes de corte. Dependiendo con la frecuencia con la que su Landroid®L siegue el césped, la hoja de corte necesitarán darse la vuelta o girarse periódicamente para trabajar con un nuevo borde de corte. Si su Landroid®L está programado para segar el césped todos los días, entonces será necesario girar las hojas de corte mensualmente para conseguir los mejores resultados en la siega. Cada hoja de corte tendrá una duración de hasta 4 meses cuando la siega se realice diariamente. Cuando la hoja de corte esté roma o desgastada, se debe cambiar por una hoja de repuesto proporcionada con su Landroid®L. También puede obtener las hojas de repuesto en su distribuidor de WORX más cercano.



Mantenimiento

El Landroid®L se ha diseñado y construido para permanecer al aire libre, independientemente de las condiciones adversas. Periódicamente limpie la plataforma de la acumulación y restos de hierba y su Landroid®L cortará césped sin problemas, año tras año, temporada tras temporada. No lave la máquina con una pistola de alta presión. Podría ocasionar daños en la batería o en la máquina.

Hibernación

Aunque es pesado, le recomendamos que durante el invierno guarde su Landroid®L en el cobertizo o en el garaje. Antes de guardar su Landroid®L, haga una recarga completa de la batería para evitar que sufra daño. A continuación, puede desconectar el enchufe de la base de carga. Un buen consejo para prolongar la vida de la batería es recargarla periódicamente durante el invierno. Una carga completa cada 3 meses estará bien. También le recomendamos que en invierno cubra la base con un tejido de nylon.

72

ES

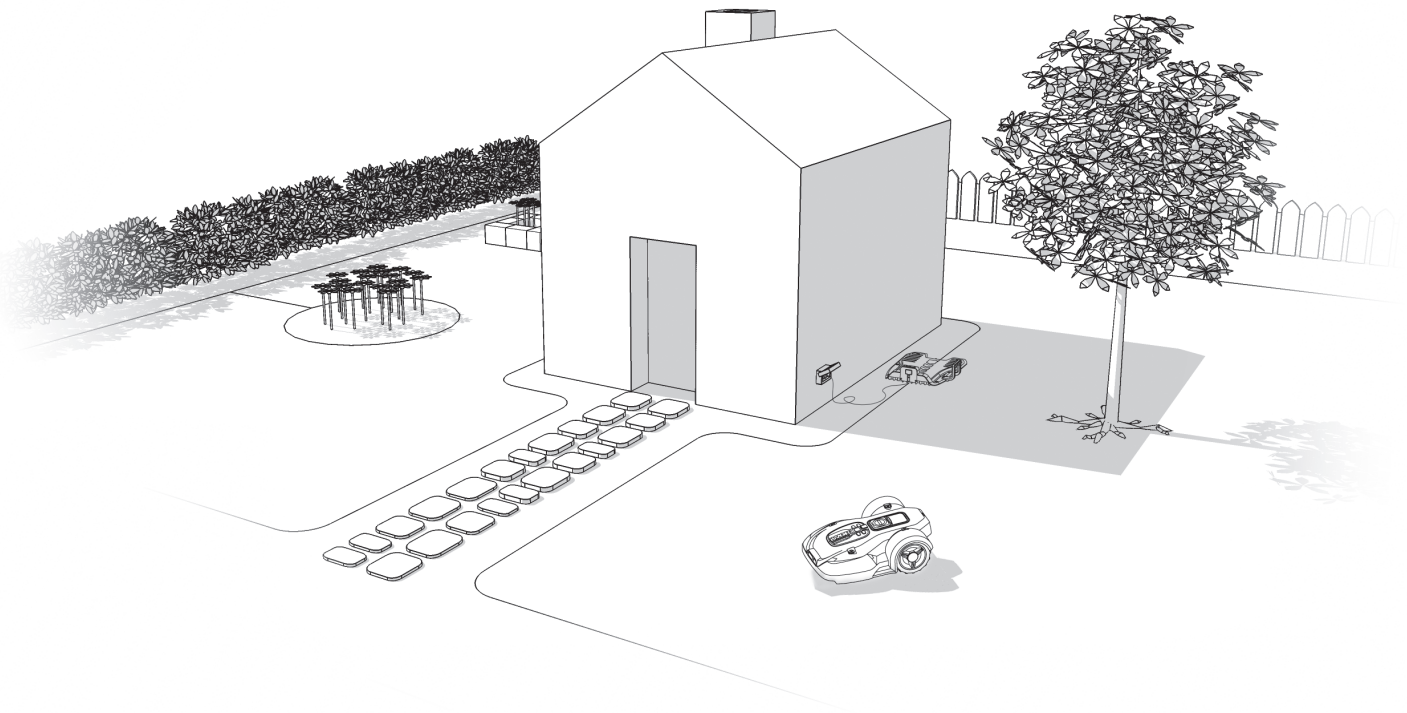
Seguridad

El Landroid®L es seguro para las personas y animales domésticos. En primer lugar, hay una gran distancia entre el borde exterior de la máquina y las hojas. Por otra parte, los sensores de inclinación detendrán automáticamente las hojas si la unidad se eleva del suelo.

Protección

Su Landroid®L está protegido por un código PIN. Este código PIN evita que puedan usarlo personas no autorizadas. Una vez que se lleve fuera de su territorio, ninguna persona que desconozca el código PIN podrá reiniciarlo. ¡Esto también significa que usted no podrá iniciar su Landroid®L si se olvida del código PIN! Le recomendamos encarecidamente que escriba el código PIN aquí como referencia para el futuro. Mejor aún, registre su Landroid®L en línea a www.worxlandroid.com e introduzca su código PIN allí. Usted tendrá acceso al código PIN en línea en cualquier momento.

Escriba su código PIN aquí



Como instalar o seu Landroid®L

74

PT

A instalação do Landroid®L é fácil. Dependendo do tamanho do seu jardim, o processo demora pouco tempo para ser concluído. Se for como nós, detesta ter de desperdiçar o seu precioso tempo a cortar a relva. O Landroid®L irá provar ser o seu melhor investimento ao eliminar a necessidade de estar sempre a cortar a relva. Pode assistir ao vídeo de demonstração sobre como proceder à instalação em www.worxlandroid.com.

O Landroid®L adora cortar relva

Foi concebido para cortar relva frequentemente, mantendo uma relva mais saudável e com o melhor aspeto de sempre. Dependendo do tamanho da sua relva, o Landroid®L poderá ser programado para operar em qualquer altura ou frequência sem restrições. Ele serve para trabalhar para si.

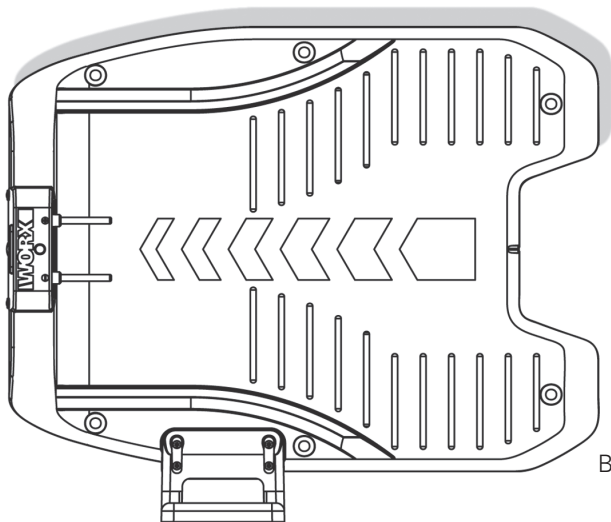
Custos operacionais

Está preocupado com a sua conta de eletricidade? Vamos fazer as contas: se deixar o seu Landroid®L a trabalhar 3 horas por dia, 5 dias por semana, 25 semanas por ano, o seu Landroid®L irá custar-lhe aproximadamente £4 de eletricidade*. Sim, £4 por ano. Uma fração daquilo que gastaria em gasolina para o seu cortador de relva a gasolina barulhento e poluente.

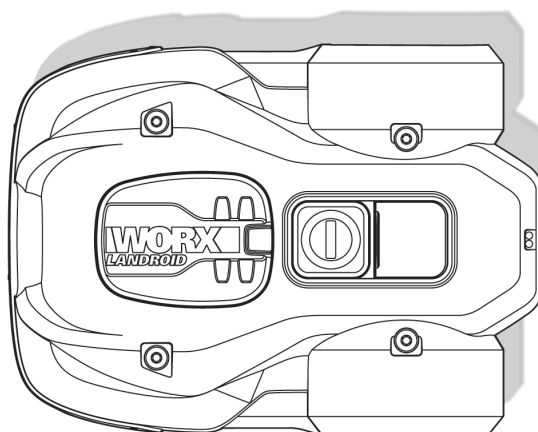
* Fonte: www.energy.eu

Preparação

Na caixa



Base de carga



Landroid®L



Espigas de retenção da base



Lâminas sobresselentes



Bobina de fio de delimitação



Espigas de delimitação



Cabo de alimentação com transformador



Manual de utilizador



Guia de instalação

Medidor de distância



Chave hexagonal



Guia de programação e de resolução de problemas



Certificado de garantia

Do seu telheiro



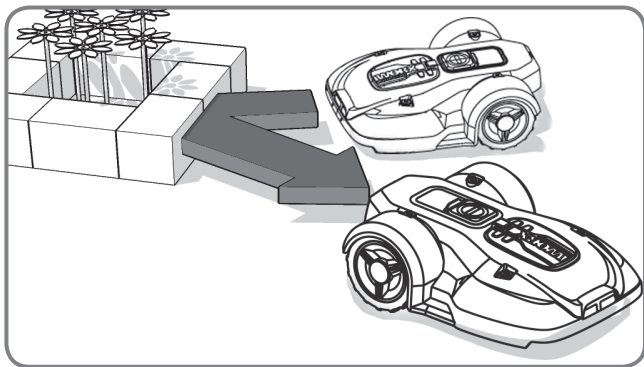
Tesoura



Martelo

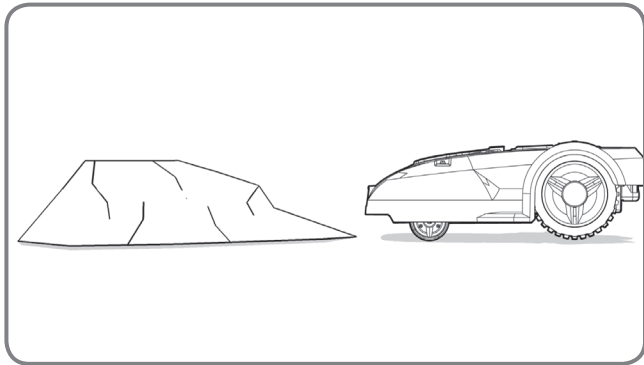
A nova casa do Landroid®L – o seu jardim

Começemos por analisar detalhadamente a nova casa do Landroid®L—o seu relvado—realçando as áreas que este pode aceder em segurança e as áreas que o Landroid®L deve evitar.



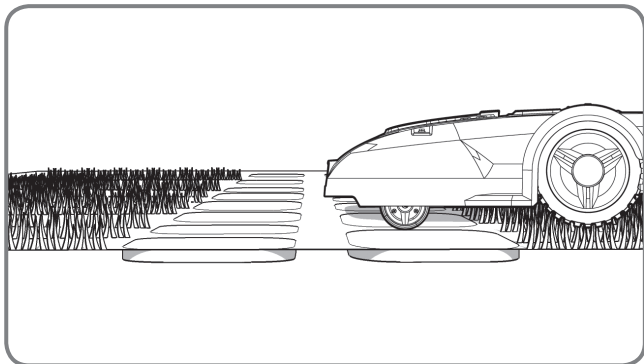
Obstáculos que podem ser atingidos

Quando atingir algum obstáculo mais rígido, estável e mais alto do que 15 cm—tal como uma parede ou uma vedação—o seu Landroid®L irá simplesmente parar e será redirecionado para longe do obstáculo.



Pedras

As pedras cujo peso seja suficiente para impedir que sejam movidas pelo seu Landroid®L podem ser atingidas em segurança. Contudo, caso alguma pedra possua uma superfície inclinada que o seu Landroid®L possa subir, deve removê-la ou excluí-la da área de trabalho.

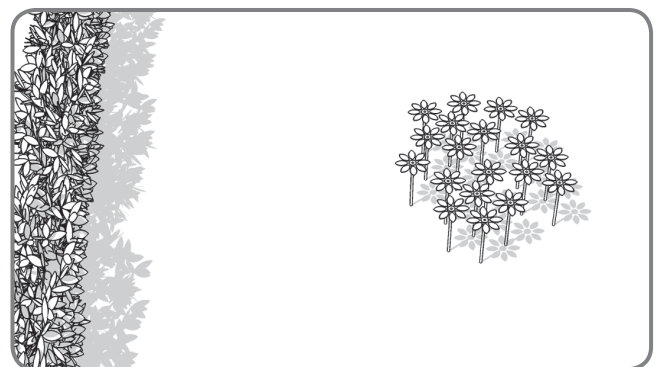
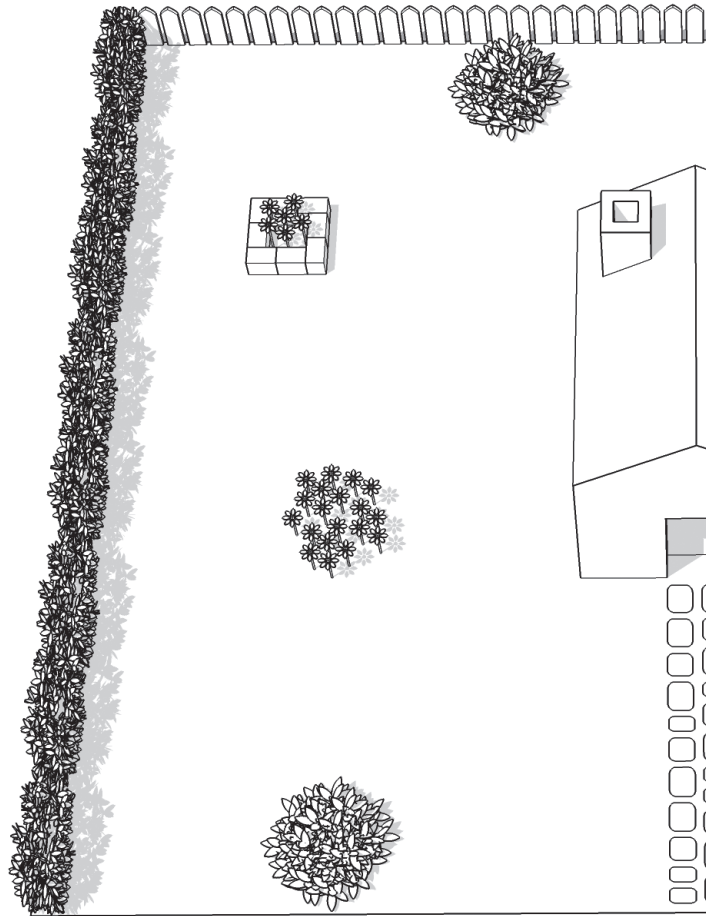


Caminhos de acesso

Se o seu caminho de acesso se encontra ao nível do seu relvado, sem qualquer superfície saliente, o Landroid®L pode circular livremente sobre este. Se gostaria que o Landroid®L o evitasse, é necessário apenas um espaço de 10cm* entre o fio de delimitação e o caminho de acesso.

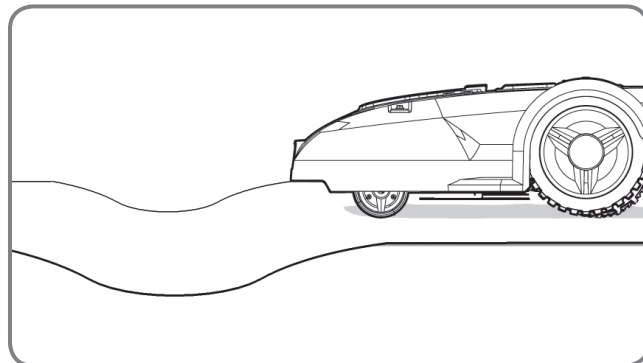
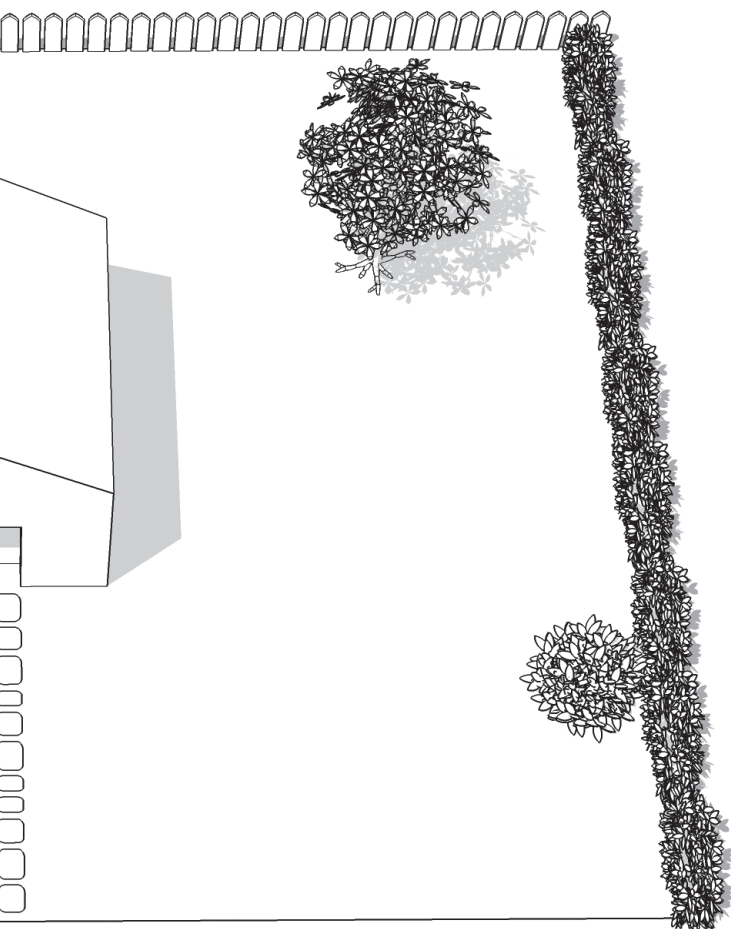
Se está coberto de cascalho, não deve permitir que o Landroid®L circule sobre este, utilizando para isso o medidor de distância para espaçamento neste caso, mantendo um espaço de 45cm* entre o fio de delimitação e o caminho de acesso.

* Esta é a distância recomendada. Utilize o medidor de distância fornecido para garantir uma instalação apropriada.



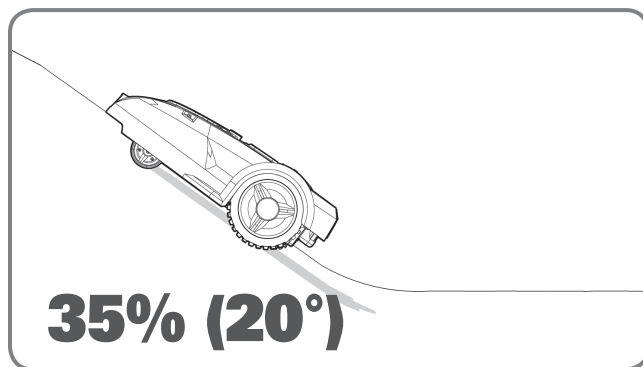
Canteiros de flores, lagos, piscinas...

Com certeza não quer que o seu Landroid®L corte as suas flores ou caia na água. Estas áreas devem ser evitadas.



Depressões e solavancos

No caso de grandes solavancos ou encostas, por favor tenha em consideração a possibilidade de as lâminas tocarem o solo; se for esse o caso, torne as inclinações mais suaves ou exclua essas áreas do funcionamento do seu Landroid®L.



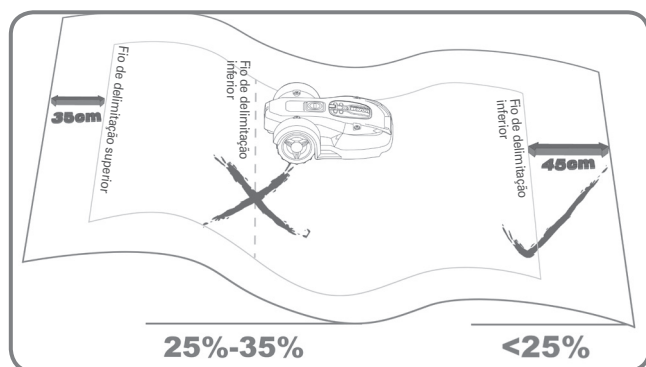
Inclinações

O seu Landroid®L possui a capacidade de subir inclinações em segurança até 35% (20°), por isso, basta evitar inclinações mais acentuadas do que estas.



Árvores

Se existirem raízes a sair do solo, esta área deve ser evitada para não danificar as raízes.



Colocação do fio de delimitação em inclinações

O fio de delimitação superior NÃO deve ser colocado em inclinações mais acentuadas do que 35% (20°). O fio de delimitação superior deve ter uma distância de pelo menos 35cm entre quaisquer obstáculos. O fio de delimitação inferior NÃO deve ser colocado em inclinações mais acentuadas do que 25% (15°). O fio de delimitação inferior deve ter uma distância de pelo menos 45cm entre quaisquer obstáculos quando estiver posicionado numa inclinação de 25%.

Delimitar o território do Landroid®L no seu jardim

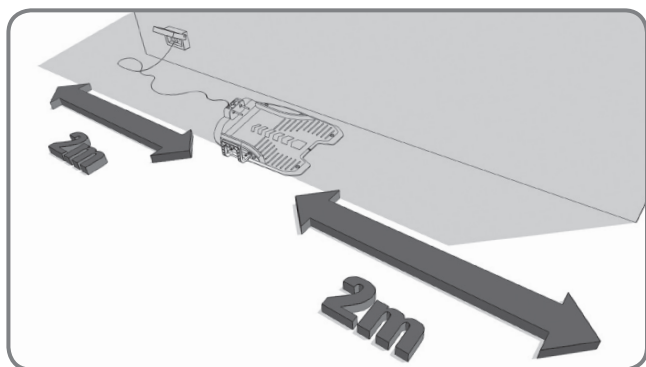
O seu Landroid®L necessita de saber onde cortar relva. É por esse motivo que tem de marcar a sua área de trabalho com um fio de delimitação que irá formar uma vedação invisível. Este fio irá também guiar o seu Landroid®L até à sua base de carga.

Se o seu vizinho também utilizar um Landroid®L tem de manter um espaço de pelo menos 2 metros entre o seu fio de delimitação e os seus vizinhos.

Por favor certifique-se de que o seu Landroid®L não consegue receber um sinal do fio de delimitação além da distância de 25m.

Em primeiro lugar, localize o melhor ponto para a base de carga, tendo em consideração o local em que a sua tomada elétrica exterior mais próxima se encontra. A base de carga possui um cabo de alimentação de 15m.

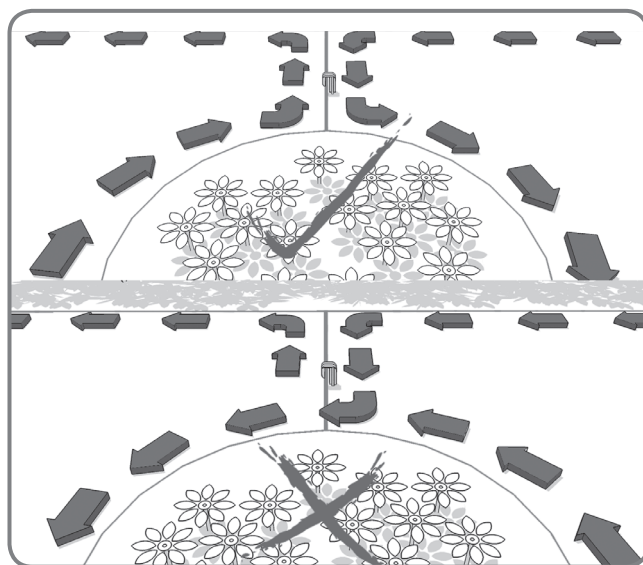
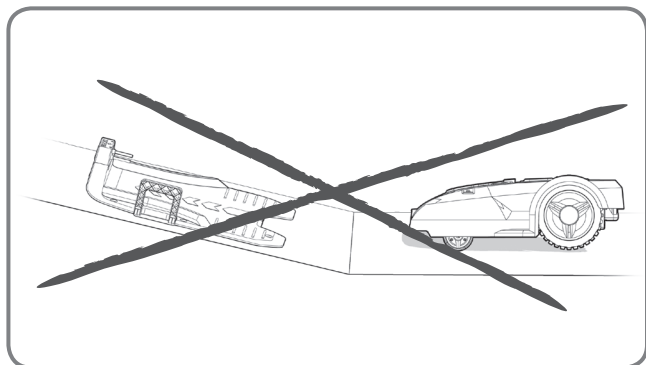
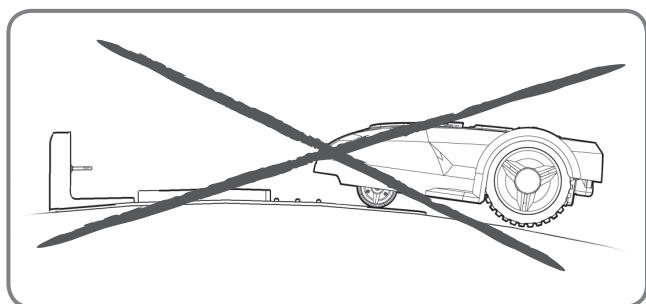
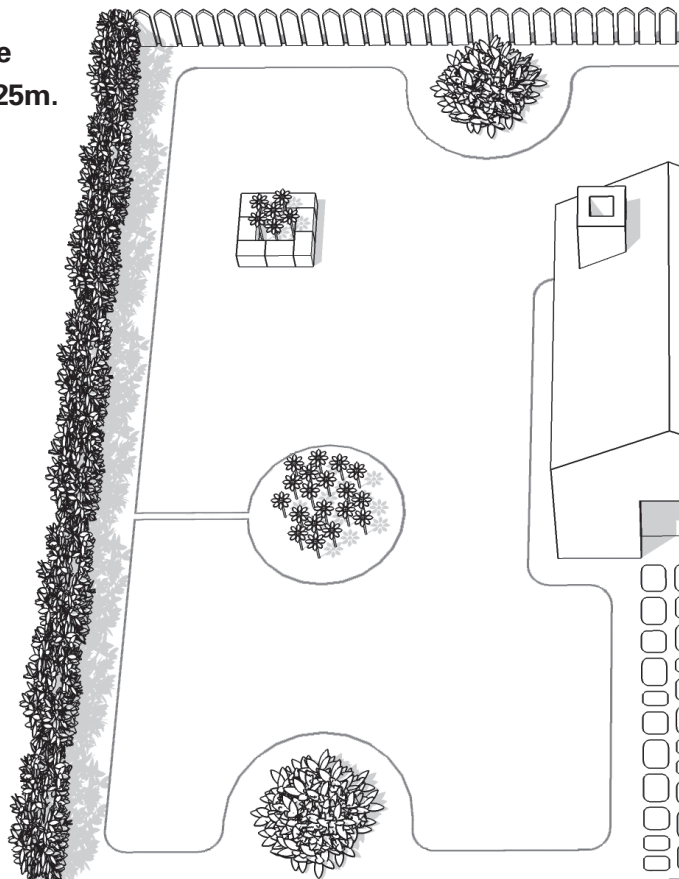
NOTA: Certifique-se de que o transformador e a tomada elétrica são mantidos constantemente numa área seca.



78

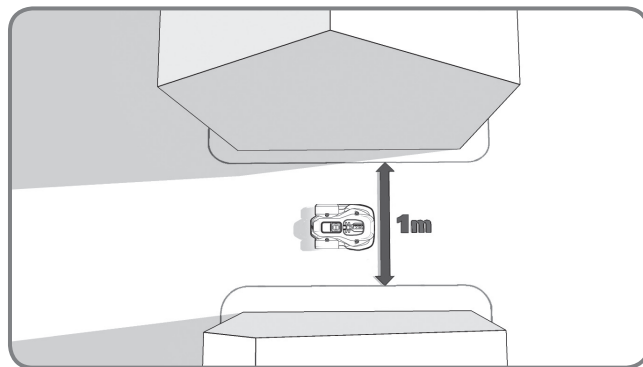
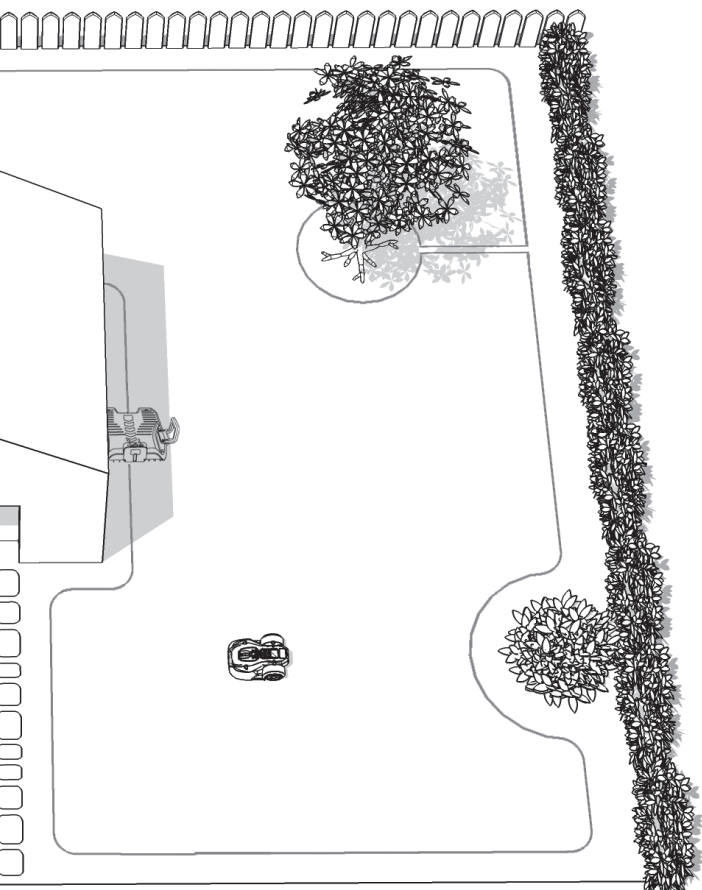
PT

Se possível, coloque a base de carga à sombra—as pilhas recarregam melhor num local fresco.

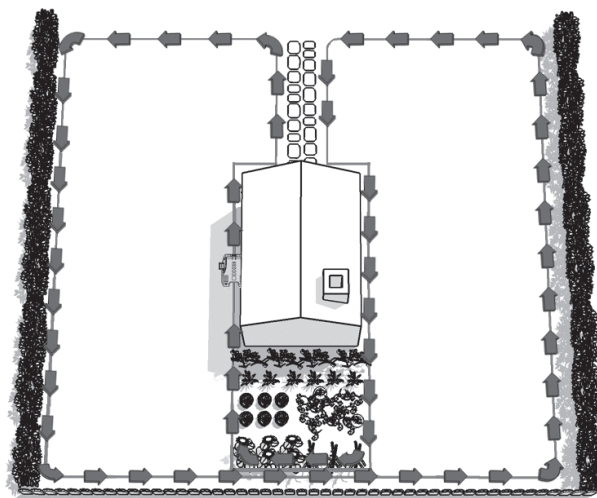


Uma ilha é uma área que assenta no interior do seu relvado para a qual não quer que o seu Landroid®L se dirija. O fio de delimitação começa desde a delimitação do corte de relva, passa diretamente pela ilha, em seu redor e regressa à delimitação conforme indicado pelas setas na imagem.

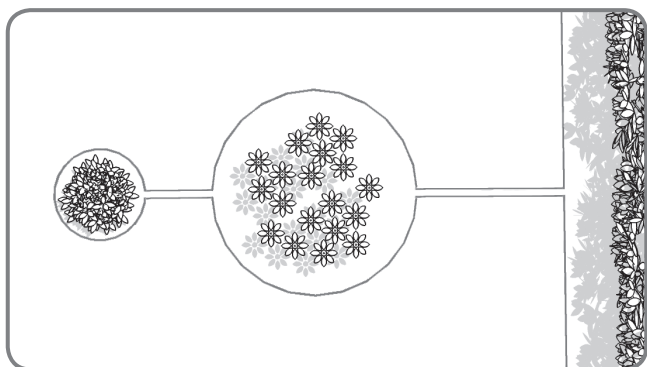
Certifique-se de que se encontra numa área plana, desimpedida de quaisquer obstáculos.



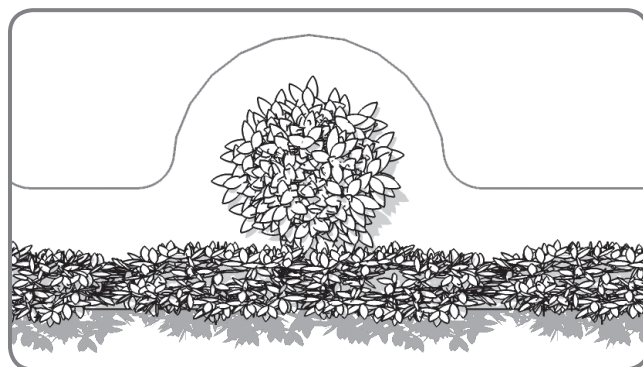
Se o seu relvado tiver duas ou mais áreas separadas ligadas entre si através de um corredor, este deve ter pelo menos 1 metro de largura.



Se os seus relvados não estiverem ligados por um corredor suficientemente largo, tem de pegar no seu Landroid®L e movê-lo para o outro relvado. O Landroid®L cortará a relva deste relvado sem problemas, mas tem de trazê-lo de volta até à base de carga quando a pilha estiver gasta.



No caso de duas ilhas próximas uma da outra, seria conveniente formar o fio conforme indicado acima. O Landroid®L pode deslocar-se livremente sobre o fio de delimitação entre as ilhas e a delimitação de corte de relva.

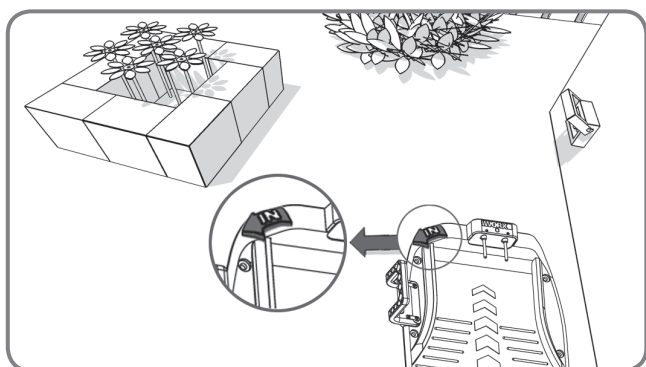


Uma área proibida próxima da delimitação de corte de relva deve fazer parte da própria delimitação, conforme indicado na imagem.

Instalação

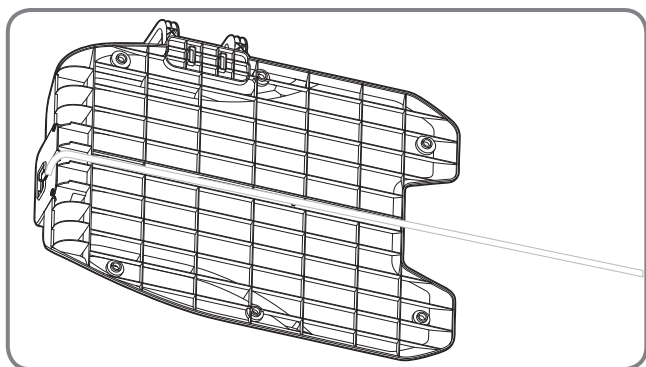
Prender o seu fio de delimitação

Recomendamos que corte a relva em primeiro lugar onde o fio vai ser colocado utilizando um cortador de relva normal ou um corta-relva. Isto assegura que o fio é colocado o mais próximo possível do solo para que o Landroid®L não corte o fio acidentalmente. O fio de delimitação é alimentado com uma tensão muito baixa, de modo a que seja totalmente seguro para humanos e animais.



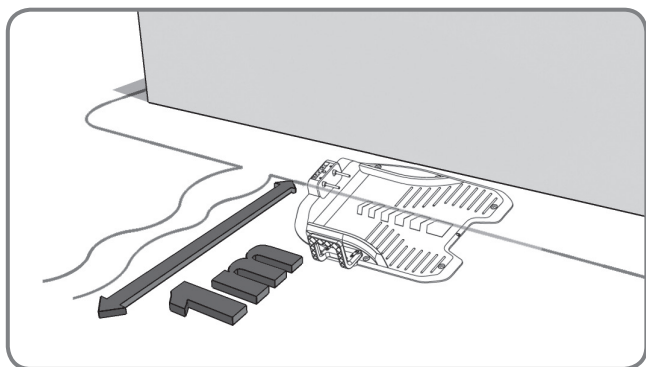
1

Coloque a Base de Carga no devido lugar, sem fixá-la permanentemente. A seta "IN" deve estar orientada de modo a indicar o interior do seu relvado.



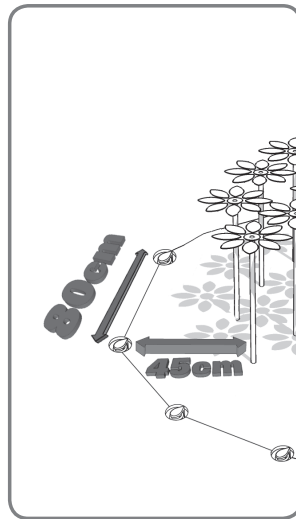
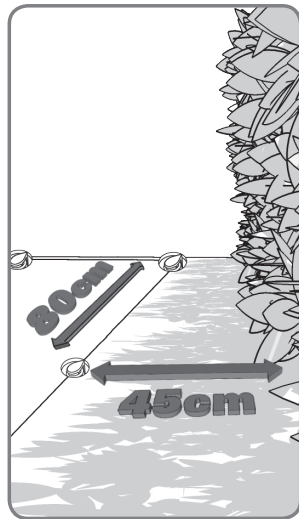
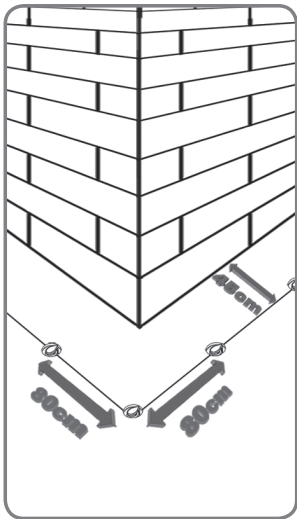
2

Alimente o fio de delimitação através do túnel por baixo da base de carga.



3

Deixando cerca de 1 metro em comprimento de fio extra, comece pela parte traseira da sua base de carga e comece a fixar o fio ao longo da delimitação. Quando acabar de colocar o fio ao longo da delimitação de regresso à base de carga, deixe outro metro de fio extra e, de seguida, corte-o.



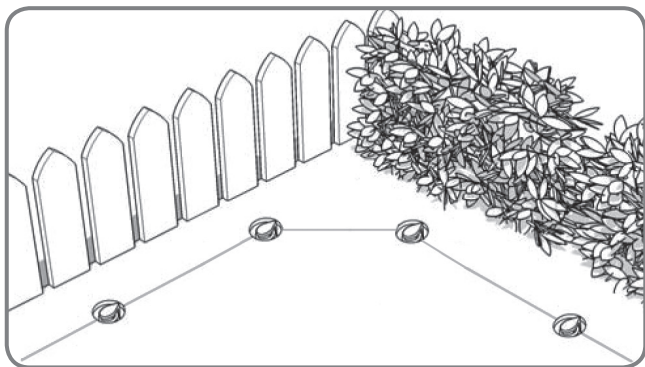
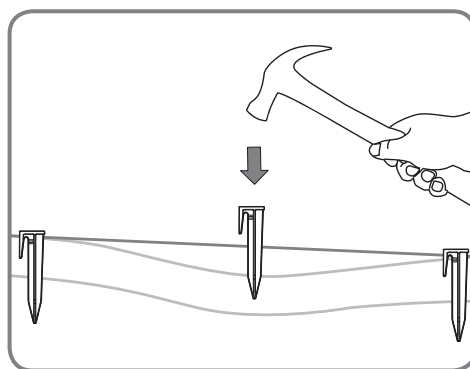
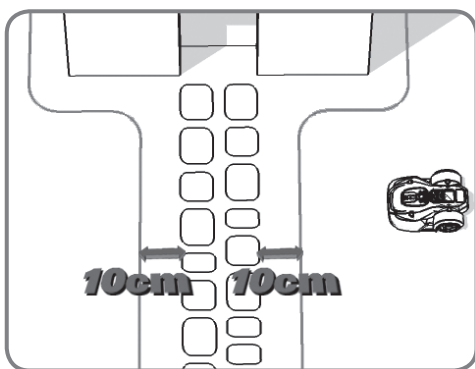
4

Quando colocar o fio de delimitação, utilize o medidor de distância para manter um espaço de 45cm* entre o fio e a delimitação. Contudo, no caso de existir um obstáculo ao nível do solo e o qual seja seguro para o Landroid®L passar sobre este, tal como um caminho de acesso ou passeio, é necessário apenas 10cm* de espaço.

Cada espiga de delimitação deve ser colocada a cerca de 80cm de distância

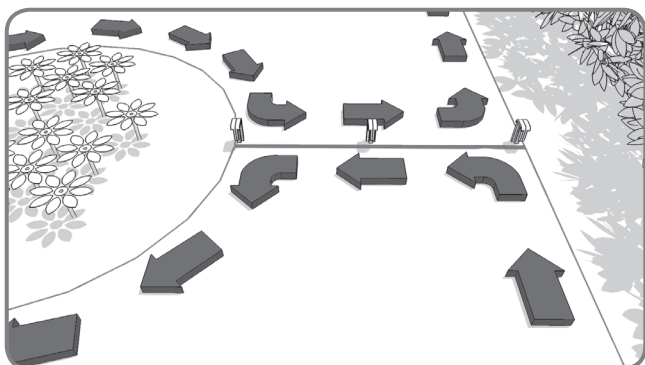
Fixe bem as espigas de delimitação no solo com a ajuda de um martelo, evitando contudo exercer demasiada pressão no fio. Mantenha o fio de delimitação esticado e apertado entre as espigas; não deve existir qualquer fio solto.

* Esta é a distância recomendada. Utilize o medidor de distância fornecido para garantir uma instalação apropriada.



5

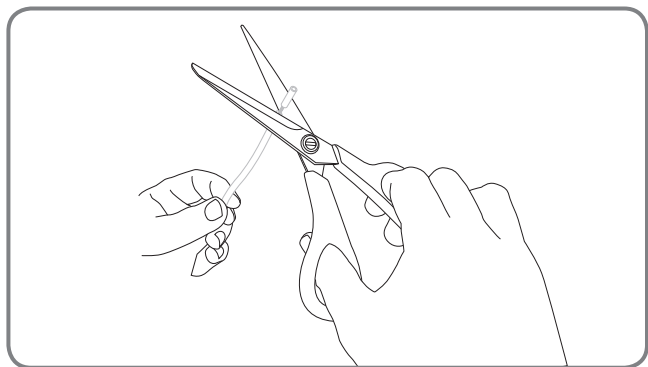
Certifique-se de que o fio de delimitação está perfeitamente esticado em cada canto.



6

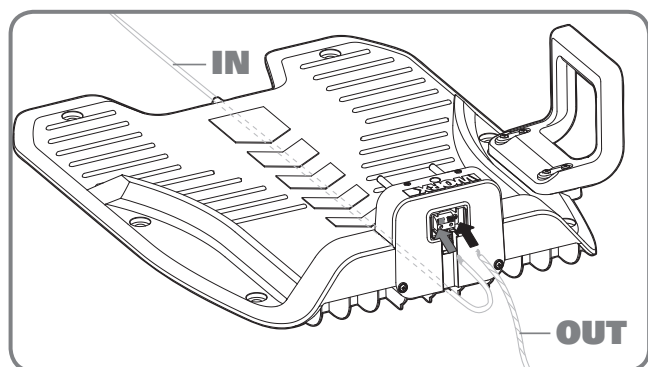
Quando fizer uma ilha com o fio de delimitação siga o caminho conforme indicado. O fio deve ir desde o perímetro para realçar a ilha definida e, de seguida, regressar ao perímetro. O fio de delimitação entre a ilha e o perímetro deve ser colocado próximo e mantido no lugar pela mesma espiga de delimitação. Durante a operação, o Landroid®L deverá passar livremente sobre esta parte do fio.

Ligue a base ao fio de delimitação



1

Corte as duas extremidades do fio com um comprimento apropriado e conveniente para atingir os grampos. Separe as duas extremidades do fio.

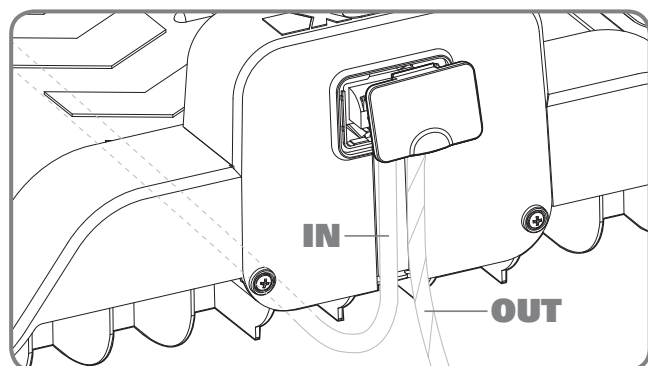
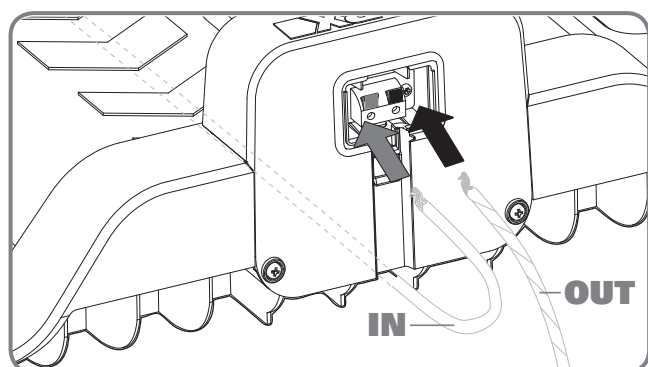


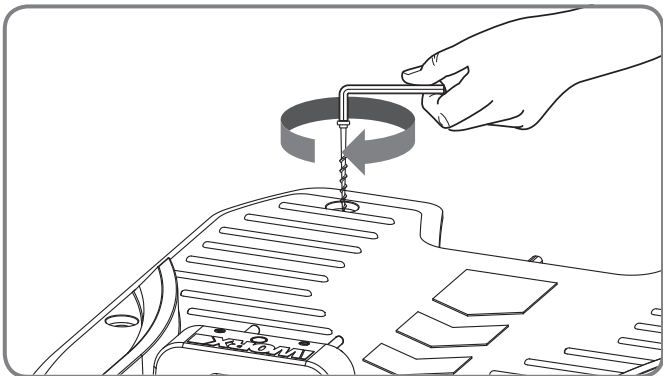
2

Quando liga à base de carga existe um fio IN (entrada) e um fio OUT (saída), conforme indicado. Ligue o fio IN ao grampo vermelho da base de carga e o fio OUT ao grampo preto. De seguida, feche a tampa.

82

PT

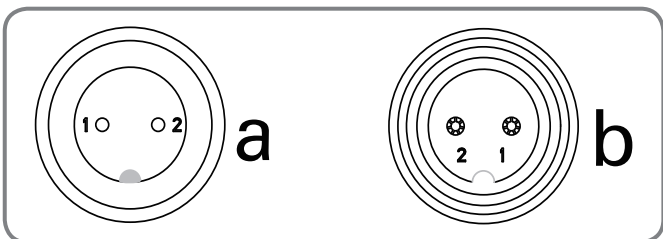




3

Agora pode fixar permanentemente a base de carga no solo ao apertar as espigas de retenção da base fornecidas juntamente com a chave hexagonal fornecida.

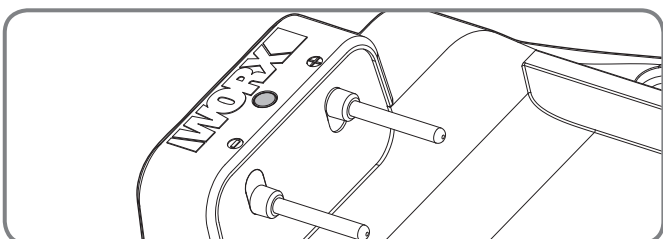
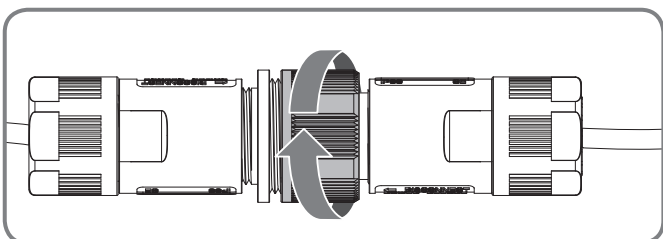
NOTA: Certifique-se de que o fio IN está a entrar ao longo do túnel por baixo da base de carga.



4

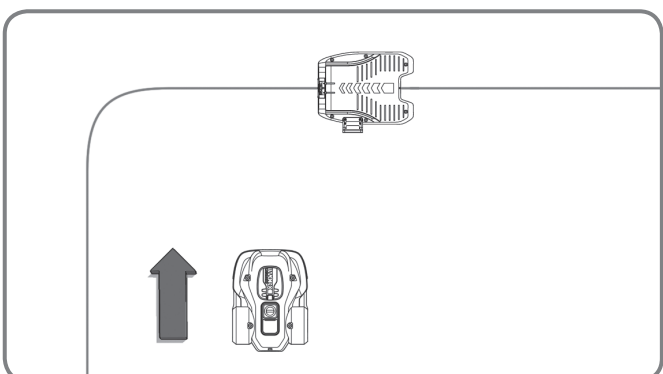
Ligue o cabo de alimentação ao transformador e, de seguida, à tomada elétrica CA, o LED na base de carga acender-se-á. Se o LED estiver desligado, por favor consulte o guia de resolução de problemas. Ao ligar, alinhe o entalhe no conector do cabo de alimentação (a) com a ranhura no conector do transformador (b). Certifique-se de que apenas aparafusa ou desaparafusa a peça do conector realçada.

Se a luz verde não acender, verifique as ligações elétricas. No caso de o cabo de alimentação se encontrar na área de trabalho poderá enterrá-lo consoante necessário.



Ligação e instalação de teste

Esta é a parte animada em que pode ligar o seu Landroid®L pela primeira vez.

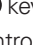


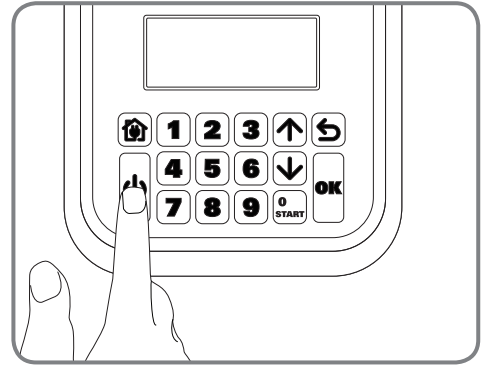
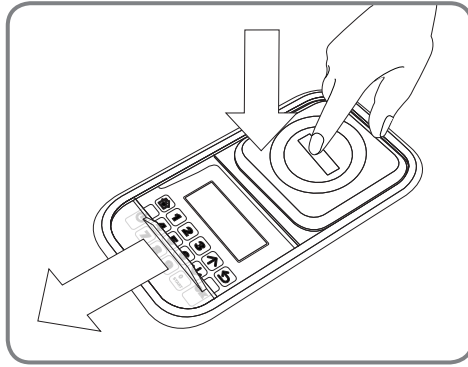
1


Coloque o seu Landroid®L no interior da área de trabalho, a alguns metros da parte traseira da base de carga.

2

Abra a janela do teclado ao premir o botão vermelho grande na parte superior do seu Landroid®L.

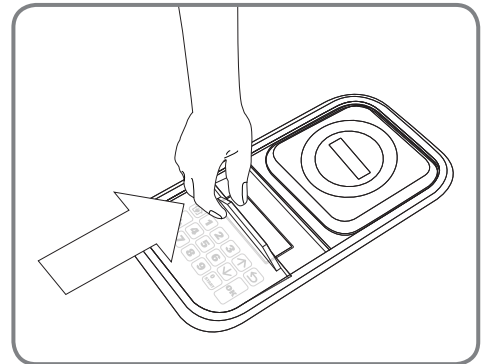
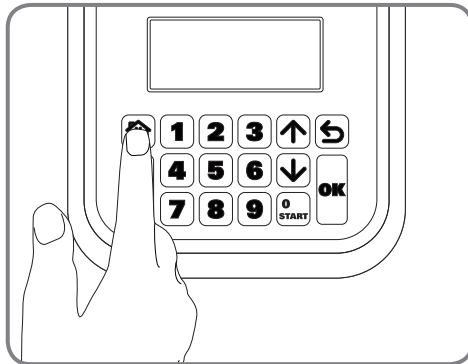
Prima e mantenha premida a tecla ON/OFF  até o Landroid®L ligar. introduza o código PIN 0000 predefinido.



Prima a  tecla e feche a janela do teclado: o seu Landroid®L encontrará agora o caminho até à base de carga.

Observe o Landroid®L à medida que regressa à base de carga e modifique o posicionamento do fio de delimitação, se necessário.

Quando o Landroid®L regressar com sucesso à base de carga significa que a instalação foi concluída com sucesso! Agora o seu Landroid®L irá começar a carregar completamente.



NOTA: Se o seu Landroid®L estiver na base de carga durante um período que o tenha programado para cortar relva, prima simplesmente o botão Parar e feche a janela do teclado para enviá-lo novamente para o corte de relva.




Aviso

- Se o seu Landroid®L estiver fora do seu território não se move e o visor indicará o erro "**fora da área de corte**". Apenas tem de movê-lo dentro do seu território e repetir o passo 2.

- Se o seu Landroid®L estiver dentro do seu território mas o visor indicar "**fora da área de corte**" e o LED estiver ligado significa que apertou as extremidades do fio de delimitação de forma incorreta. Basta invertê-las.

- O seu Landroid®L deve manter-se sempre ligado. Se alguma vez tiver de o desligar, certifique-se de que o coloca dentro da respetiva área de delimitação antes de voltar a ligá-lo.

- Se o seu Landroid®L parar de funcionar inesperadamente, simplesmente prima o botão Parar, abra a respetiva janela do teclado, prima a respetiva tecla ON/OFF para ON, corrija os problemas, prima o botão , desligue a respetiva janela do teclado.

NOTA: Por favor consulte o guia de programação e de resolução de problemas para mais informação.

Programação

Após concluir a instalação é tempo agora de programar o Landroid®L para quando pretende que este trabalhe ao utilizar o visor do teclado indicado de seguida. Por favor consulte o guia de programação e de resolução de problemas incluído na embalagem.

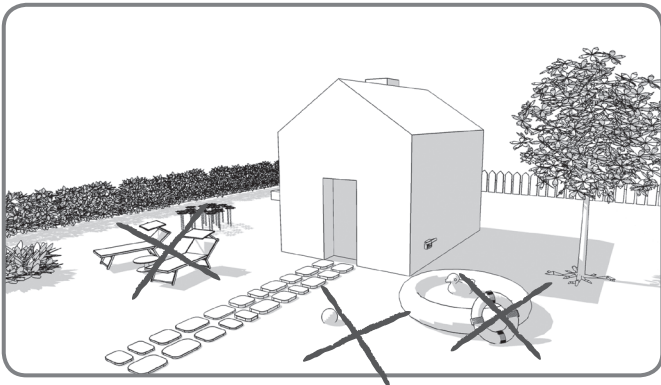


Pronto?

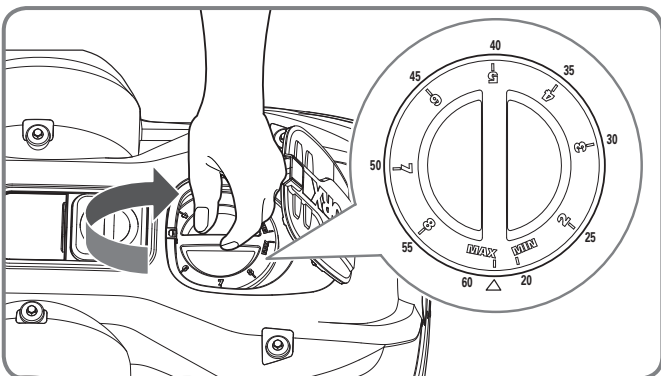
O Landroid®L foi concebido para manter a sua relva num comprimento perfeito durante a estação, mas não foi concebido para desflorestar uma selva.

Antes de efetuar o seu arranque pela primeira vez,

1. Deve cortar a sua relva até à altura pretendida.
2. Certificar-se de que a área operacional está desimpedida de objetos, tais como brinquedos e ramos...



3. Ajuste a altura de corte ao respetivo nível máximo para o primeiro corte de relva e, de seguida, ajuste para a sua altura de relva preferida.



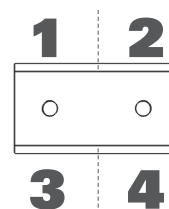
Na próxima Primavera deixe o seu Landroid®L começar a cortar relva mais cedo, quando a relva ainda estiver curta para evitar um corte de relva preliminar.

Mantenha-o afiado



Use sempre luvas quando ajustar as lâminas.

O Landroid®L não corta relva como outros cortadores de relva. As suas lâminas são muito afiadas nos 4 cantos e giram em ambas as direções para a máxima capacidade de corte. Cada lâmina do seu Landroid®L possui 4 cantos de corte. Dependendo da frequência que o Landroid®L corta a sua relva, as lâminas de corte terão de ser viradas/rodadas periodicamente para um novo bordo de corte. Se o seu Landroid®L estiver programado para cortar a relva todos os dias, as lâminas de corte terão de ser rodadas mensalmente para obter os melhores resultados de corte de relva. Cada lâmina de corte dura até 4 meses quando estiver programada para cortar a relva todos os dias. Quando as lâminas de corte estiverem danificadas e desgastadas devem ser substituídas por lâminas sobresselentes fornecidas com o seu Landroid®L. Também se encontram disponíveis lâminas sobresselentes no seu distribuidor WORX mais próximo.



Manutenção

O seu Landroid®L foi concebido e construído para manter-se no exterior, independentemente das condições adversas. Basta limpar periodicamente a sua parte superior no que respeita a acumulação de erva e o seu Landroid®L cortará a relva por si sem quaisquer problemas, ano após ano, estação após estação. Não lave a máquina com uma pistola de jato de alta pressão. Isto poderá causar danos na pilha ou na máquina.

Armazenamento no Inverno

Embora seja duro, recomendamos que guarde o seu Landroid®L no seu telheiro ou garagem durante o Inverno. Antes de guardá-lo recarregue o seu Landroid®L na totalidade, o que irá preservar a sua pilha contra danos. Pode então desligar a ficha da base de carga. Uma boa dica para prolongar a vida útil da pilha é recarregá-la periodicamente durante o Inverno. Uma carga completa a cada 3 meses será suficiente. Também sugerimos que cubra a base com um pano de nylon no período do Inverno.

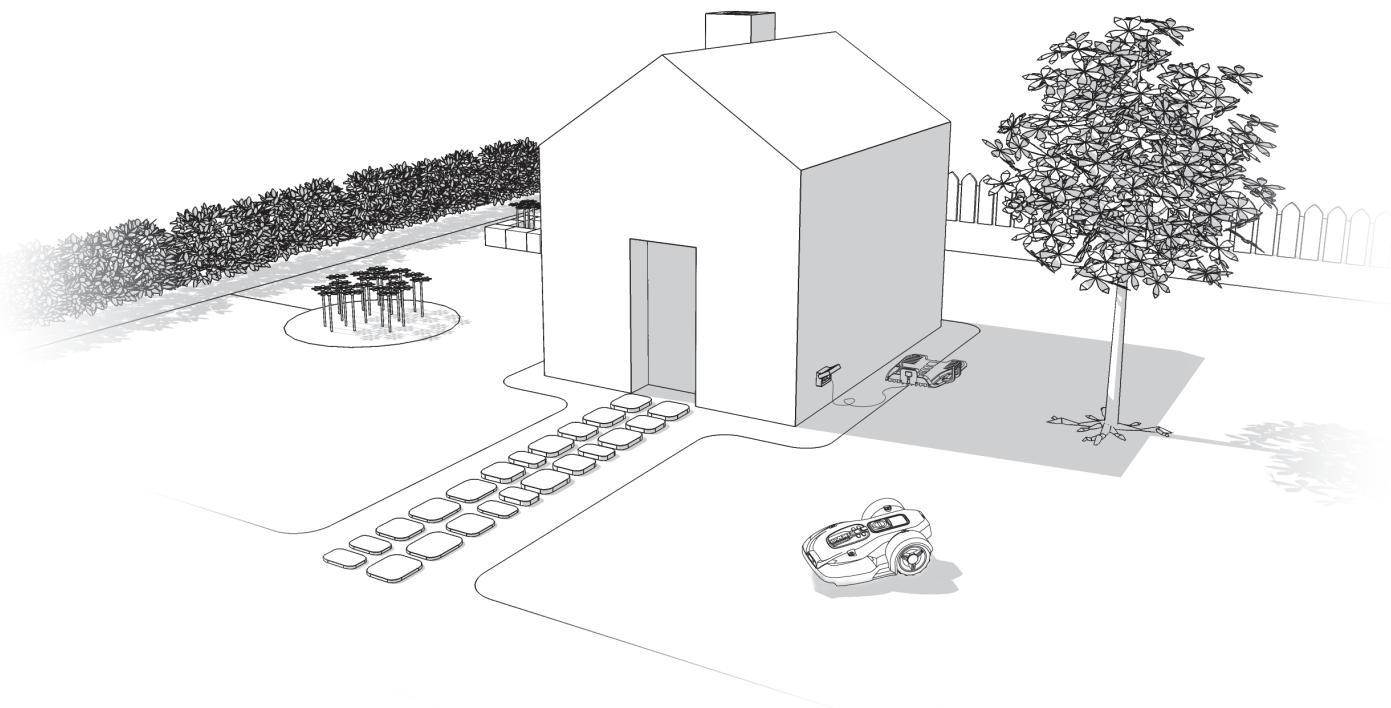
Segurança

O seu Landroid®L é seguro para humanos e animais. Em primeiro lugar, existe um grande intervalo entre o bordo exterior da máquina e as lâminas. Além disso, os sensores de inclinação param imediatamente as lâminas se a unidade for elevada do solo.

Segurança

O seu Landroid®L está protegido com um código PIN. Este código PIN impede que pessoas não autorizadas façam uso dele. Uma vez retirado do seu território, qualquer pessoa que não saiba o código PIN não poderá reiniciá-lo. Isto também significa que não poderá efetuar o arranque do seu Landroid®L caso se esqueça do seu código PIN! Recomendamos fortemente que escreva o seu código PIN para referência futura. Melhor ainda, registe o seu Landroid®L online em www.worxlandroid.com e registe o seu código PIN aqui. Poderá aceder ao seu código PIN online em qualquer altura.

Escreva o seu código PIN aqui



Jak nainstalovat vaši sekačku Landroid®L

88

CZ

Instalace Landroid®L je velmi jednoduchá. V závislosti na rozloze vaší zahrady trvá celý tento proces jen velmi krátkou dobu. Pokud uvažujete jako my, začnete proklínat, že jste svůj drahocenný volný čas dosud věnovali sekání trávníku. Landroid®L se ukáže být tou nejlepší investicí, abyste již nikdy nemuseli sekat váš trávník, tak jako dosud.

Ukázkové video instalace můžete shlédnout na internetové stránce www.worxlandroid.com.

Landroid®L zbožňuje sečení

Je navržen pro časté sečení, kdy bude trávník udržován zdravější a vypadající lépe, než kdykoliv dříve. V závislosti na rozloze vašeho trávníku může být Landroid®L naprogramován tak, aby četnost a doba provozu nebyla ničím omezena. Je zde pro to, aby pro vás pracoval.

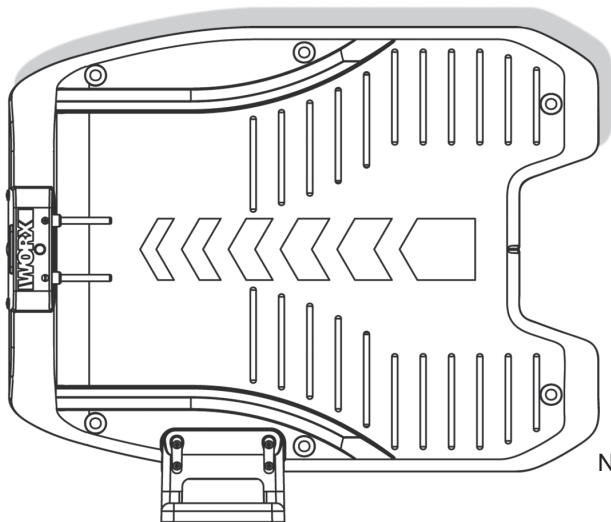
Provozní náklady

Obáváte se účtu za elektřinu? Pojďme si to spočítat: Necháte-li váš Landroid®L pracovat 3 hodiny denně, 5 dní v týdnu, 25 týdnů v roce, náklady na elektřinu* spojenou s provozem vaší sekačky Landroid®L budou přibližně 140 Kč. Ano, 140 Kč ročně. Zlomek ceny, co byste utratili za benzín pro vaši hlučnou, znečišťující benzínovou sekačku.

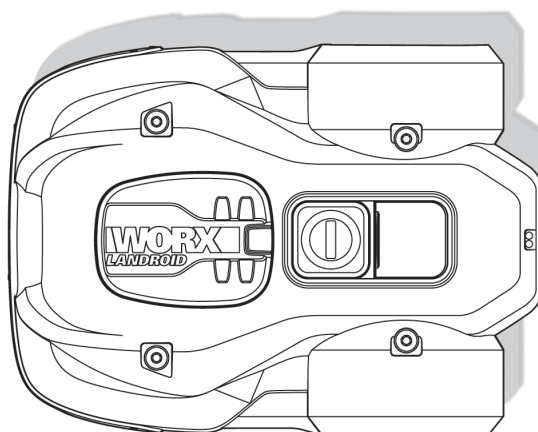
* Zdroj: www.energy.eu

Příprava

Obsah balení



Nabíjecí základna



Landroid®L



Přidržené kolíky základny



Náhradní čepele



Cívka s vymešovacím vodičem



Vymešovací kolíky



Napájecí kabel s transformátorem AC/DC



Návod k použití



Instalační příručka



Měřidlo vzdálenosti



Příručka k programování a odstranění závad



Prohlášení o záruce



Šestihranný

Z vaší dílny



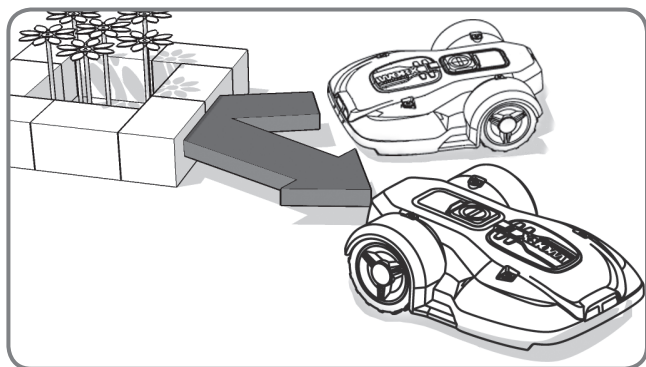
Nůžky



Kladivo

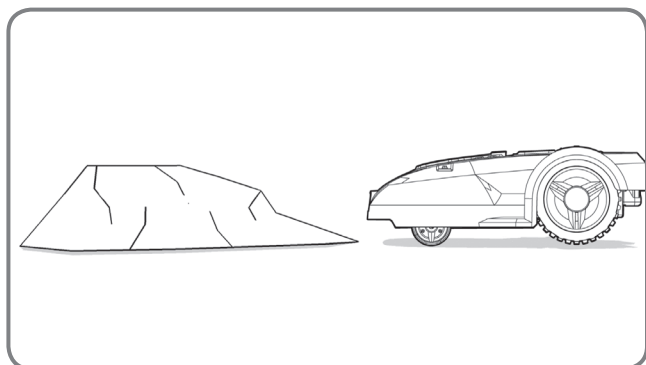
Landroid®L v novém domově – vaší zahradě

Začneme tím, že se blíže podíváme na nový domov sekačky Landroid®L — váš trávník — vyhradíme oblasti, kde se může bezpečně pohybovat a plochy, kterým by se měl Landroid®L nejlépe vyhnout.



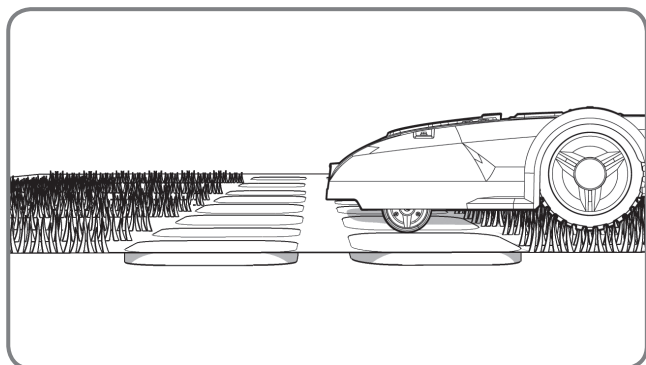
Překážky, které mohou být zachyceny

Při zachycení jakékoliv překážky, která je pevná, stabilní a vyšší než 15cm, jako je například zeď nebo plot, se váš Landroid®L prostě zastaví a nasměruje opačným směrem.



Kameny

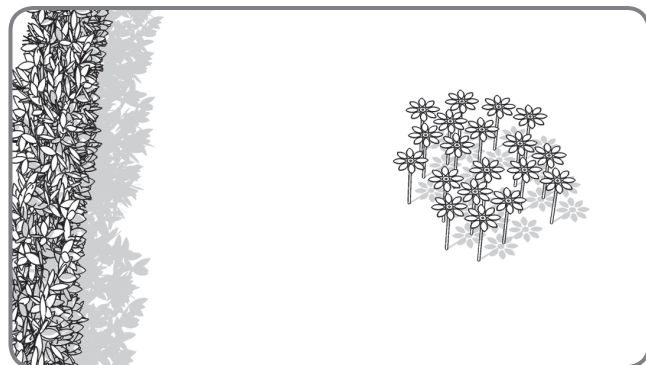
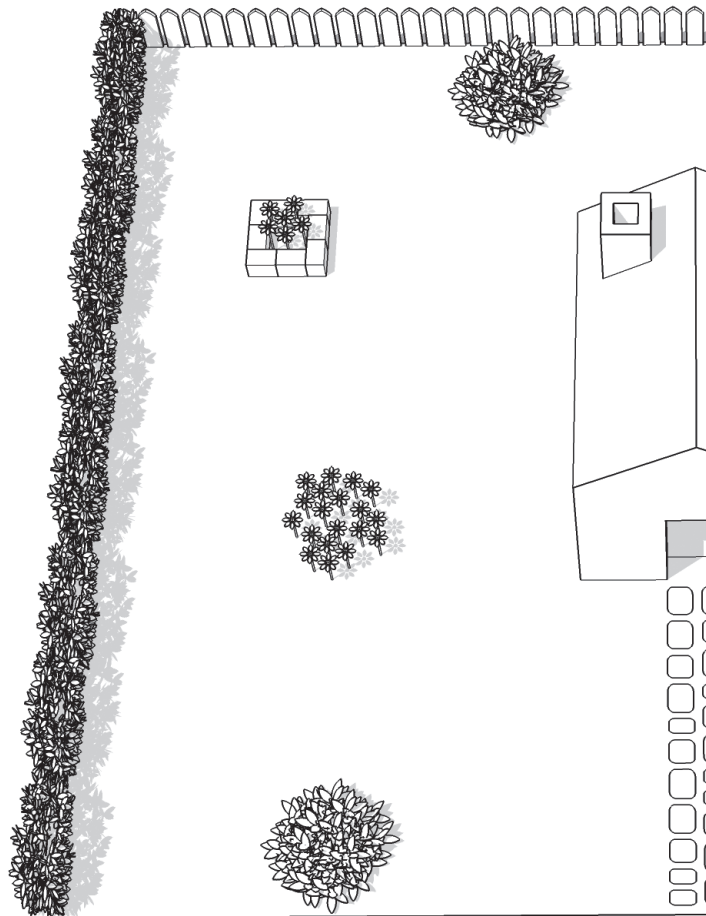
Kontakt s kameny, které jsou dostatečně těžké, aby je nebylo možné sekačkou Landroid®L posunout, je bezpečný. Nicméně, pokud nějaký kámen má šikmý povrch, že by po něm mohl Landroid®L vyjet vzhůru, je vhodné jej buď odstranit, nebo pracovní prostor vymezit mimo něj.



Příjezdové cesty

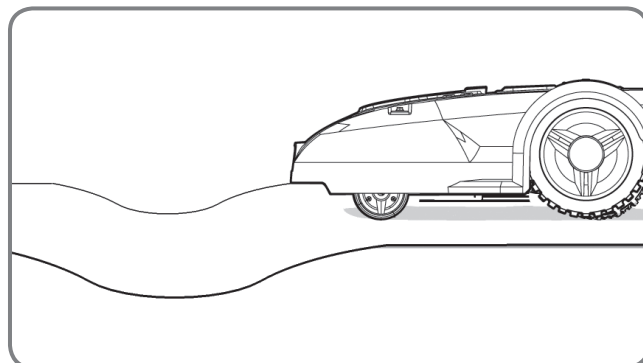
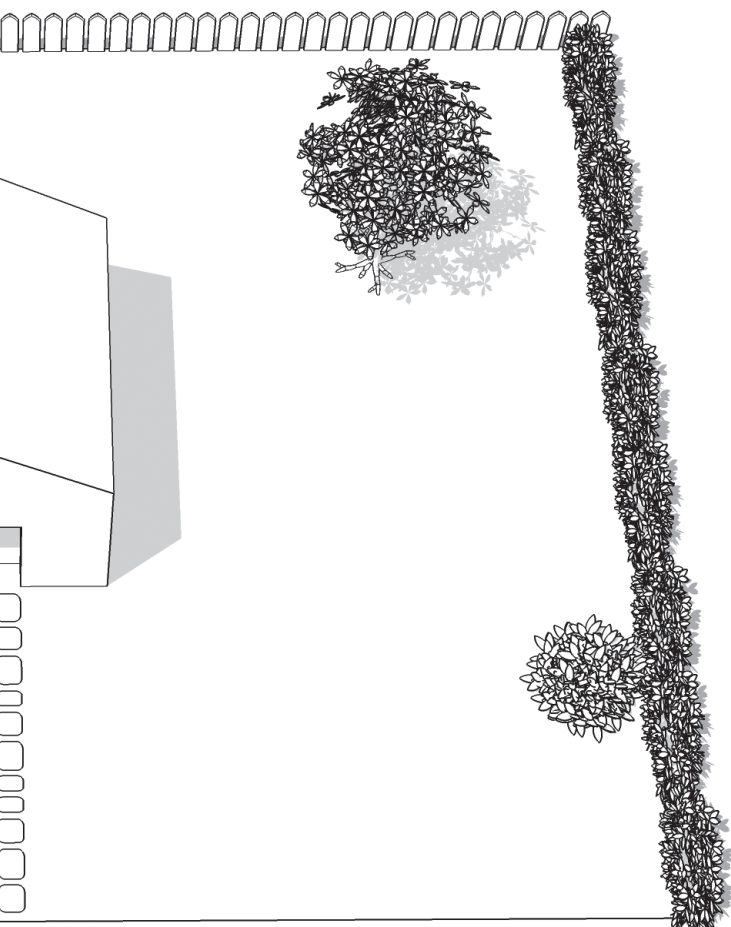
Pokud je vaše příjezdová cesta v rovině s trávníkem, bez vyčnívající plochy, Landroid®L se přes ni může volně pohybovat. Pokud byste se chtěli se sekačkou Landroid®L této oblasti vyhnout, stačí pouze dodržet 10cm* vzdálenost mezi vymešovacím vodičem a příjezdovou cestou. Pokud je příjezdová cesta se štěrkovým povrchem, Landroid®L by přes něj neměl přejíždět. V takovém případě měřidlem vzdálenosti vymezte vzdálenost mezi vymešovacím vodičem a příjezdovou cestou 45cm*.

* Jedná se o doporučenou vzdálenost. K zajištění správné instalace použijte dodané měřidlo vzdálenosti.



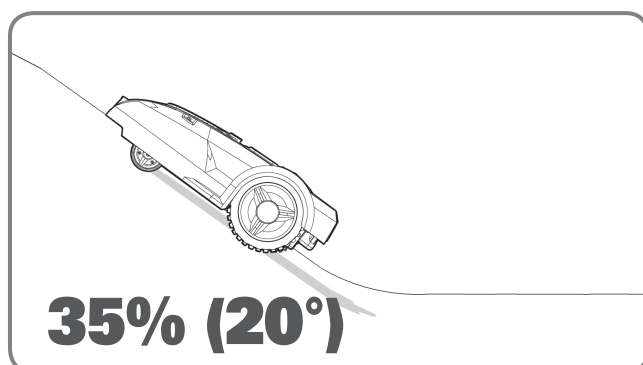
Záhony, jezírka, bazény...

Jistě si nepřejete, aby váš Landroid®L posekal vaše květiny, či spadl do vody. Těmito oblastem je třeba se vyhnout.



Prohlubně a nerovnosti

V případě velkých nerovností nebo poklesů zvažte, zda se čepele nedostanou do kontaktu se zemí; pokud ano, zajistěte pozvolnější stoupání nebo tato místa z vymezené pracovní oblasti sekačky Landroid®L vylučte.



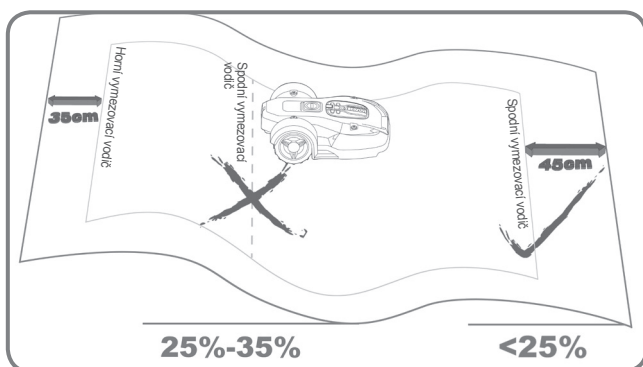
Svahy

Váš Landroid®L má schopnost bezpečného stoupání ve svahu o sklonu až 35%(20°), vyvarujte se tedy použití ve všech strmějších svazích.



Stromy

Pokud ze země trčí kořeny, tato místa musí být vyloučena z vymezené pracovní oblasti, aby nedošlo k poškození kořenů.



Umístění vymežovacího vodiče ve svazích

Horní vymežovací vodič by NEMĚL být umístěn na svazích se sklonem větším než 35%(20°). Horní vymežovací vodič by měl být od případných překážek vzdálen nejméně 35cm. Horní vymežovací vodič by NEMĚL být umístěn na svazích se sklonem větším než 25%(15°). Spodní vymežovací vodič by měl být od překážek vzdálen nejméně 45cm, pokud je ve svahu se strmostí 25%.

Vyznačení území pro Landroid®L ve vaší zahradě

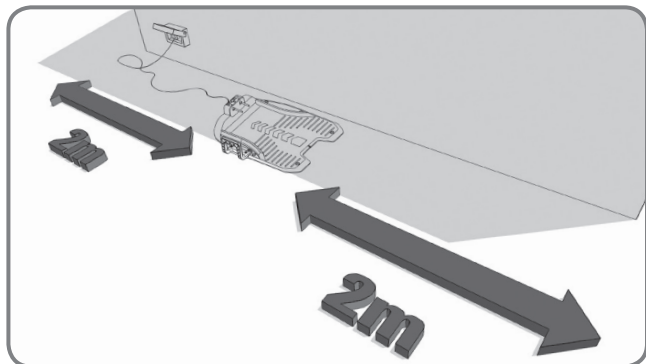
Váš Landroid®L potřebuje znát, v jaké oblasti bude pracovat. To je důvod, proč musíte pomocí vyznačovacího vodiče, který bude tvořit neviditelný plot, vyznačit pracovní oblast. Tento vodič slouží také k vedení vaší sekačky Landroid®L k vlastní nabíjecí základně.

Pokud váš soused také používá sekačku Landroid®L, musíte mezi vaším vyznačovacím vodičem a vašimi sousedy udržovat vzdálenost nejméně 2 metry.

Vezměte prosím na vědomí, že vaše sekačka Landroid®L nebude moci přijímat signál z vyznačovacího vodiče, pokud vzdálenost od něj přesáhne 25 metrů.

Ze všeho nejdříve zvolte nejlepší místo pro nabíjecí základnu s ohledem na to, kde se nachází vaše nejbližší venkovní elektrická zásuvka. Nabíjecí základna má napájecí kabel v délce 15m.

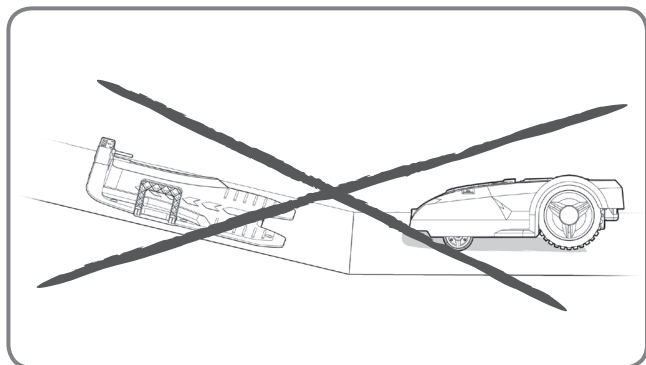
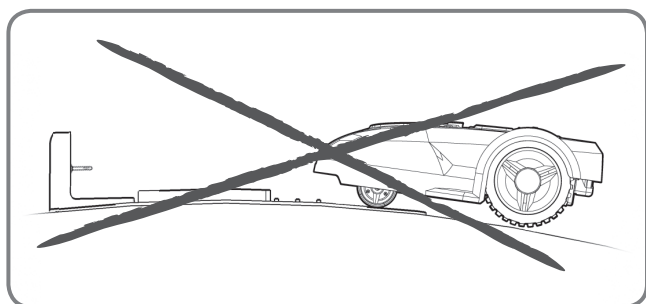
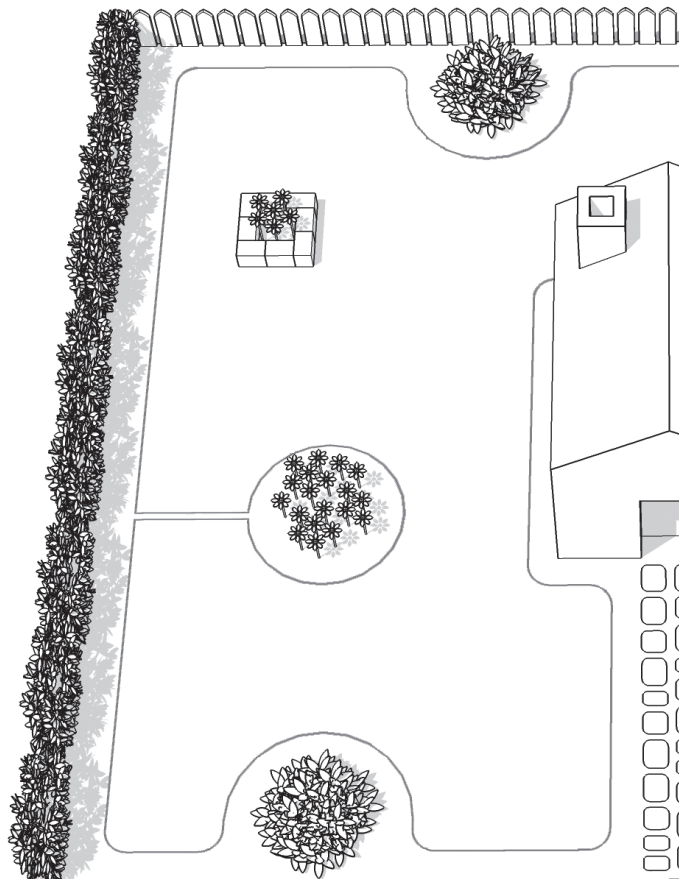
POZNÁMKA: Ujistěte se, že transformátor a elektrické zásuvky jsou po celou dobu uloženy na suchém místě.



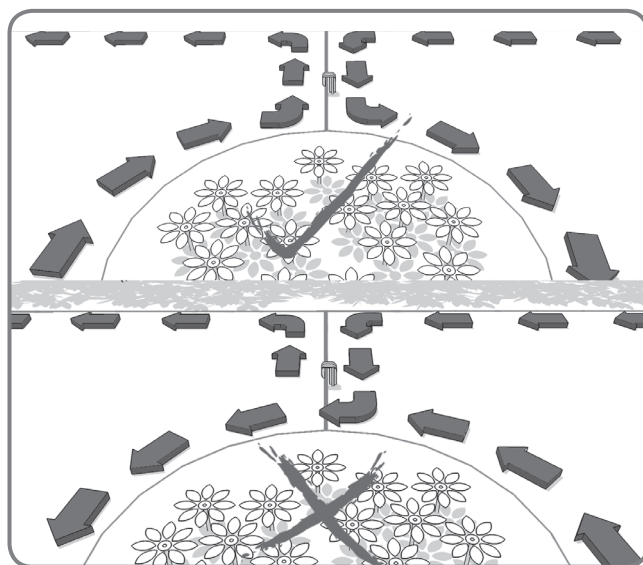
92

CZ

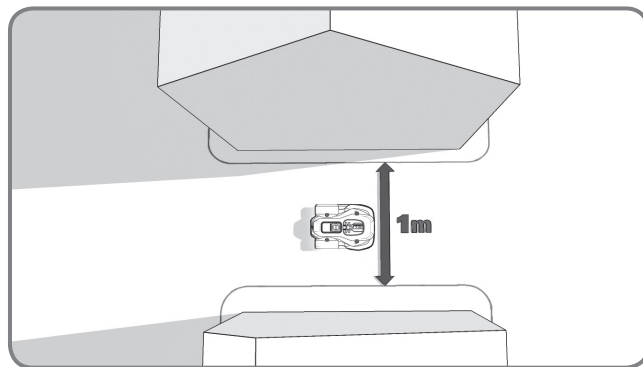
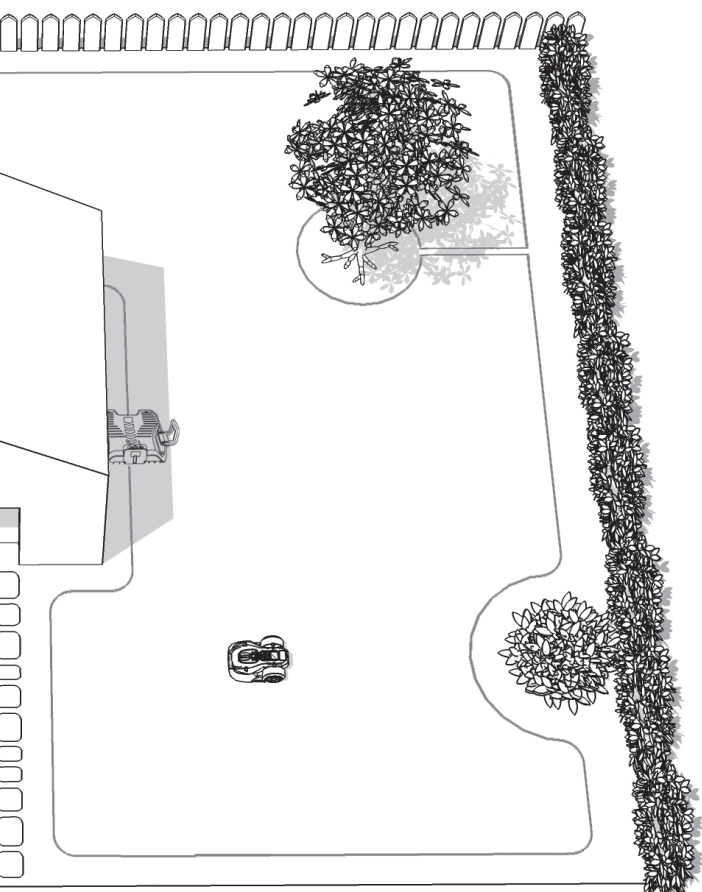
Je-li to možné, umístěte nabíjecí základnu ve stínu — v chladném místě se akumulátory lépe dobíjejí.



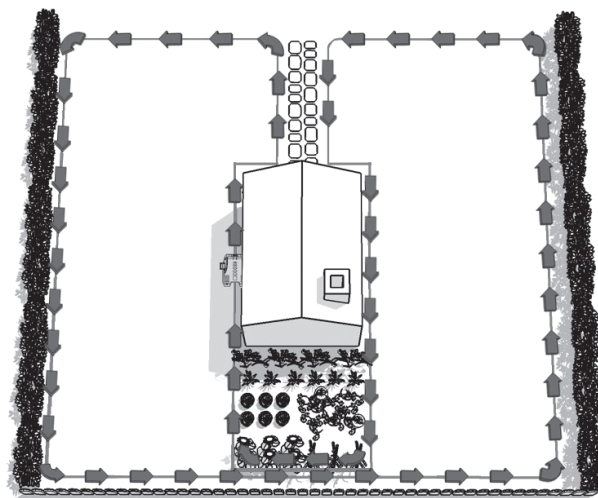
Ujistěte se, zda je nabíjecí základna na rovné ploše, bez jakýchkoli překážek.



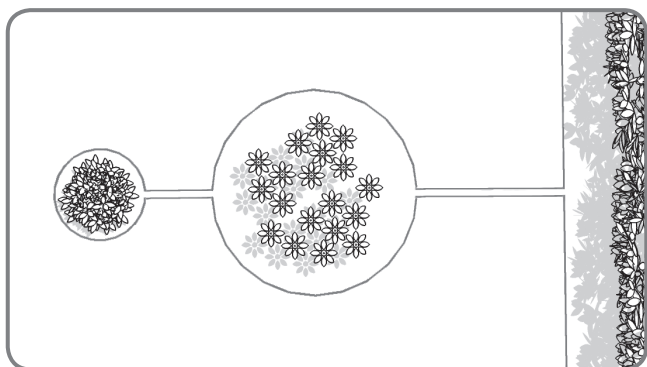
Ostrov je oblast, která je umístěna uvnitř vašeho trávníku, kde si nepřejete, aby sekačka Landroid®L pracovala. Vyznačovací vodič začíná vést od hranice vymezeného prostoru sečení, vede přímo k ostrovu, okolo něj a zpět k hranici, jak je znázorněno šipkami na obrázku.



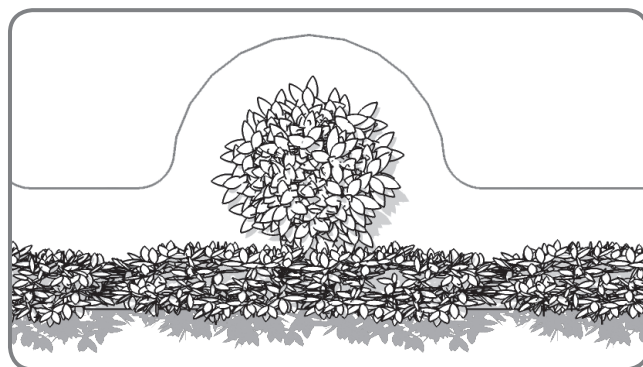
Pokud má váš trávník dvě nebo více samostatných oblastí vzájemně propojených koridorem, tento musí být nejméně 1 metr široký.



Pokud vaše trávníky nejsou spojeny koridorem, který je dostatečně široký, pak budete muset sekačku Landroid®L zvednout a přesunout ji do další vymezené oblasti trávníku. Landroid®L bude bez problémů provádět sečení trávy v této oblasti, ale po vybití akumulátoru jej budete muset k nabíjecí základně přenést zpět.



V případě dvou ostrovů, které jsou velmi blízko u sebe, je vhodné vedení vodiče výše uvedeným způsobem. Landroid®L se může volně pohybovat přes vymežovací vodič mezi ostrovy a vymezenou oblastí sečení.

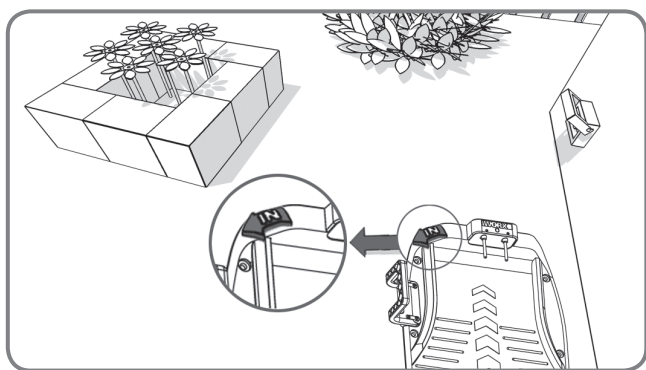


Zakázaná oblast, která je v blízkosti hranice vymezené oblasti sečení, musí být součástí samotného vymezení, jak je znázorněno na obrázku.

Instalace

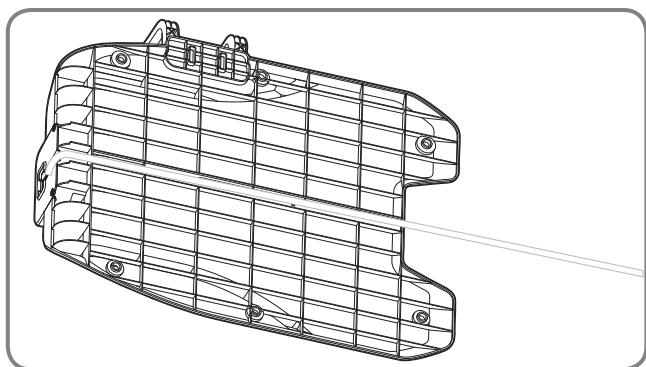
Zajištění vymešovacieho vodiče kolíky

Doporučujeme, abyste v místě, kde má být vodič položen, nejprve posekali trávnik použitím normální nebo strunové sekačky. Tím bude zajištěno, aby byl vodič položen co nejbliže k zemi a nedošlo tak k jeho neúmyslnému přeseknutí sekačkou Landroid®L. Vymešovací vodič je napájen velmi nízkým napětím, takže je zcela bezpečný pro člověka i domácí zvířata.



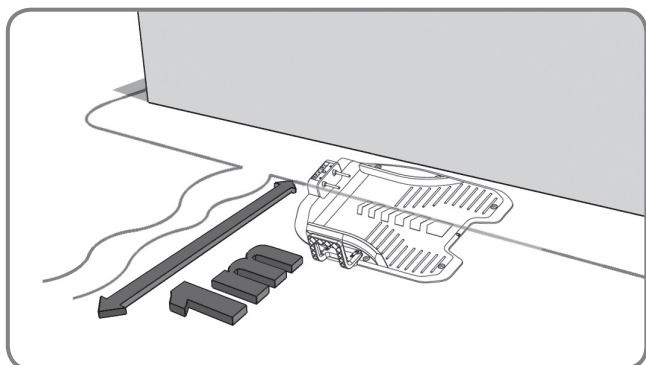
1

Nabíjecí základnu umístěte na jejím určeném místě, a to tak, aby nebyla upevněna natrvalo. Šipka "IN" musí být orientována tak, aby ukazovala dovnitř vašeho trávniku.



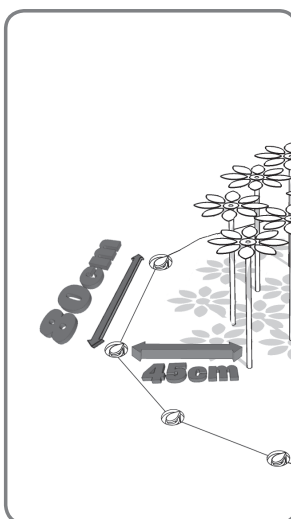
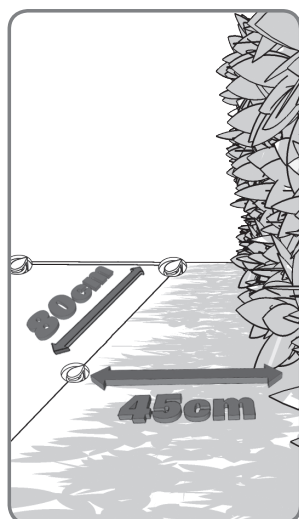
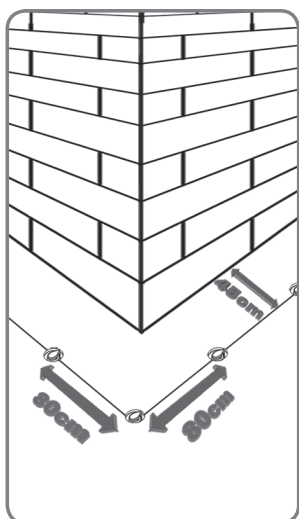
2

Vymešovací vodič ved'te tunelem pod nabíjecí základnou.



3

Ponechejte asi 1 metr délky vodiče navíc, začněte od zadní strany nabíjecí základny a vodič upevňujte kolíky podél vymezené oblasti. Po dokončení pokládky vodiče podél hranice vymešovující oblast sečení a jeho zavedení zpět do nabíjecí základny ponechejte opět jeden metr vodiče navíc, a pak jej ucvakněte.



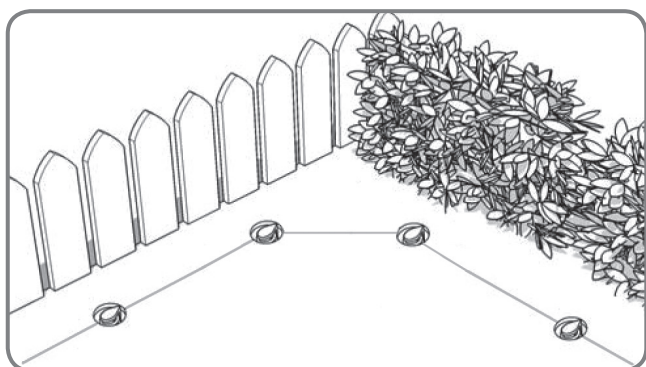
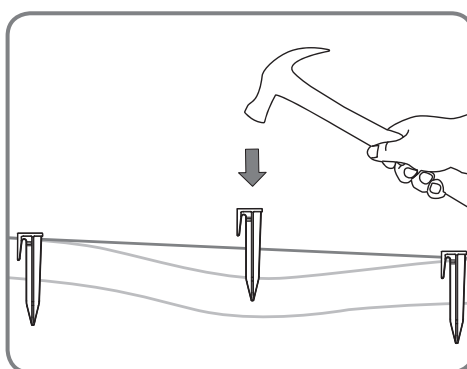
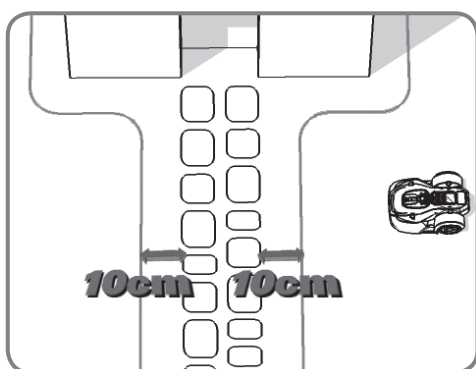
4

Při pokládání vymešovacieho vodiče udržujte mezi vodičem a hranicí vymešované oblasti pomocí měřidla vzdálenosti odstup 45cm*. Avšak v případě překážky, která je v úrovni země, a je bezpečná pro přejezd sekačky Landroid®L, jako jsou například příjezdové cesty nebo chodník, je nutné dodržet odstup pouze 10cm*.

Jednotlivé vymešovacie kolíky by měly být od sebe ve vzdálenosti 80cm.

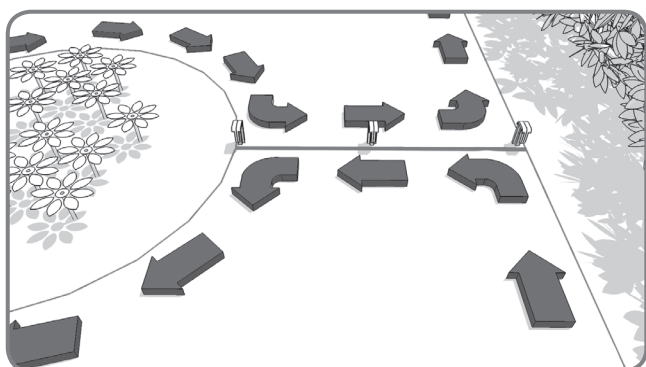
Vymešovacie kolíky přitlučte kladivem napevno do země. Dejte ale pozor, aby nebyl vymešovacie vodič vystaven příliš velkému tlaku. Vymešovacie vodič musí být veden mezi kolíky přímo a napjatě, neměl by mít žádné prověšení.

*Jedná se o doporučenou vzdálenost. K zajištění správné instalace použijte dodané měřidlo vzdálenosti.



5

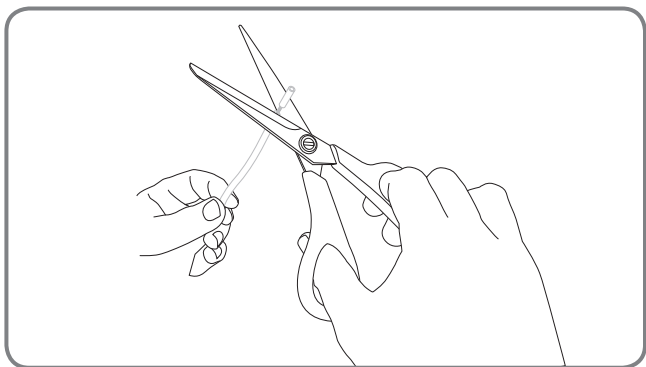
Zajistěte, aby byl vymešovacie vodič ve všech rozích veden naprosto rovně.



6

Při tvorbě ostrova pomocí vymešovacieho vodiče dodržujte vedení podle ilustrace. Vodič by měl vést od ohraničené oblasti směrem k ostrovu a poté zpět k ohraničené oblasti. Vymešovacie vodiče mezi ostrovem a ohraničenou oblastí by měly být vedeny těsně vedle sebe a uchyceny na místě stejným vymešovacím kolíkem. Během provozu musí mít sekačka Landroid®L možnost volně přejíždět přes tuto část vodiče.

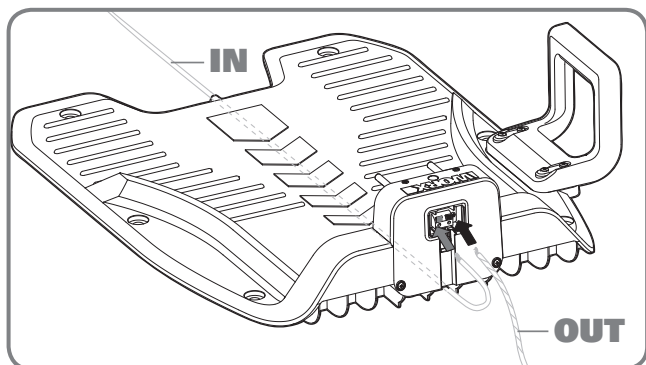
Připojení základny k vymezovacímu vodiči



1

Ucvakněte dva konce drátu ve vhodné délce tak, aby dosáhly ke svorce.

Z obou konců vodiče odstraňte izolaci.



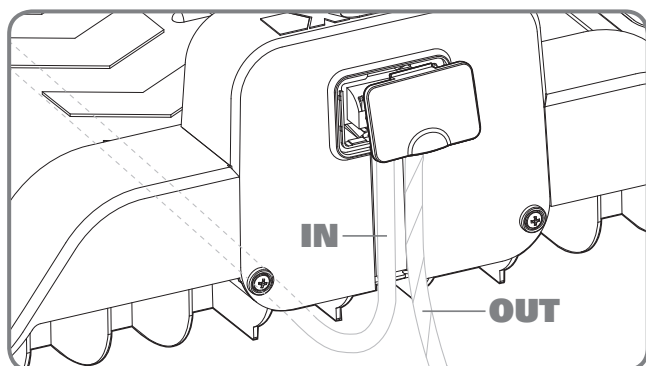
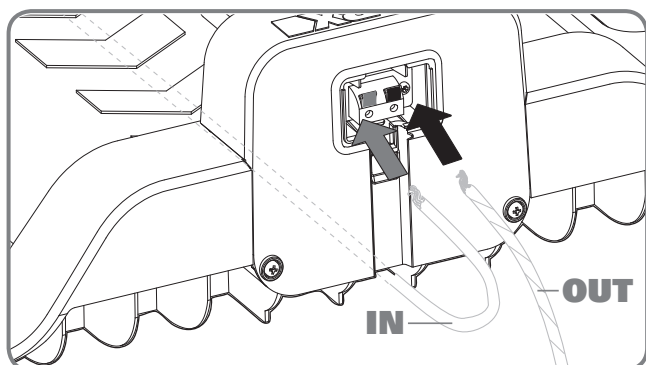
2

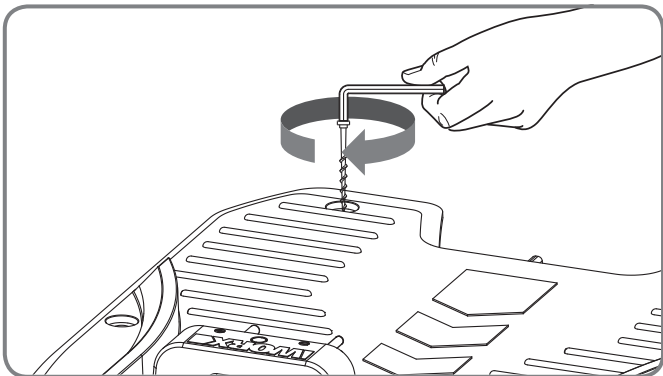
Při připojování k nabíjecí základně bude rozlišen vstupní (IN) a výstupní (OUT) vodič, jak je znázorněno. Vstupní vodič (IN) připojte k červené svorce nabíjecí základny a výstupní vodič (OUT) k černé svorce.

Poté kryt uzavřete.

96

CZ

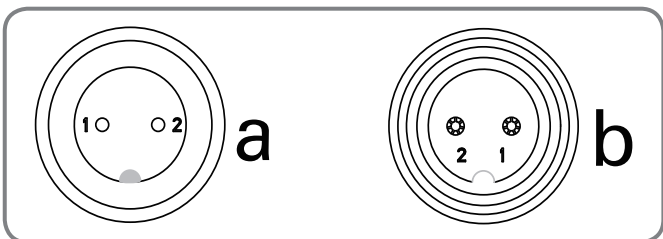




3

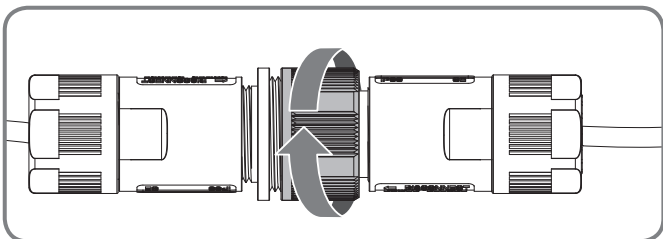
Nyní můžete nabíjecí základnu napevno uchytit k zemi utažením dodaných přídržných kolíků základny dodaným šestihranným klíčem.

Poznámka: Ujistěte se, že vstupní vodič (IN) vede přímo tunelem pod nabíjecí základnu.



4

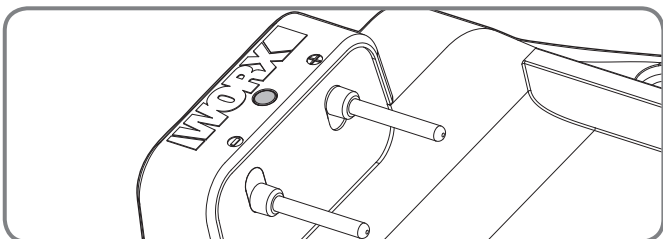
Napájecí kabel připojte k transformátoru a poté do elektrické síťové zásuvky. Na nabíjecí základně se rozsvítí kontrolka LED. Pokud se kontrolka LED nerozsvítí, prostudujte si Příručku k programování a odstranění závad. Při připojování vyrovnejte výřez na konektoru napájecího kabelu (a) s drážkou na konektoru transformátoru (b).



Ujistěte se, že provádíte šroubování a vyšroubování pouze zvýrazněné části konektoru.

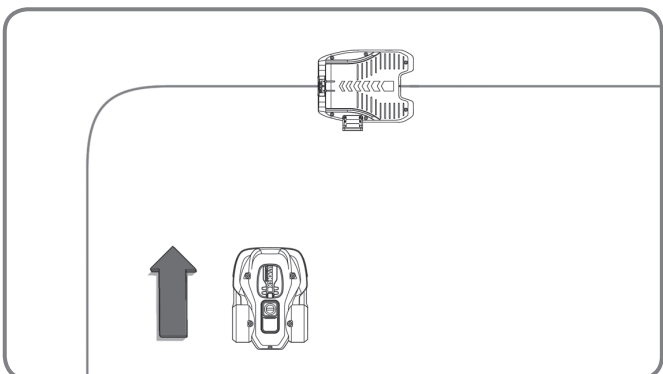
Pokud se zelená kontrolka nerozsvítí, zkontrolujte připojení napájení.

V případě, že se napájecí kabel nachází v pracovní oblasti, můžete jej podle potřeby zasypat.



Spuštění a zkouška instalace

První spuštění vaší sekačky Landroid®L je velmi vzrušující.

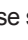


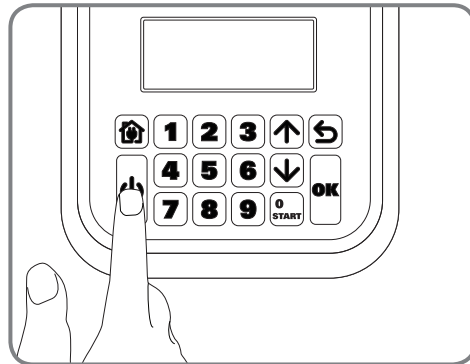
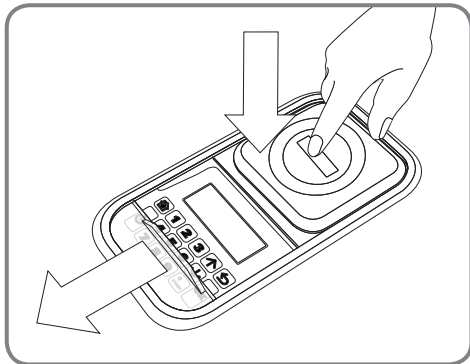
1


Sekačku Landroid®L umístěte uvnitř pracovní plochy, jen několik metrů od zadní části nabíjecí základny.

2

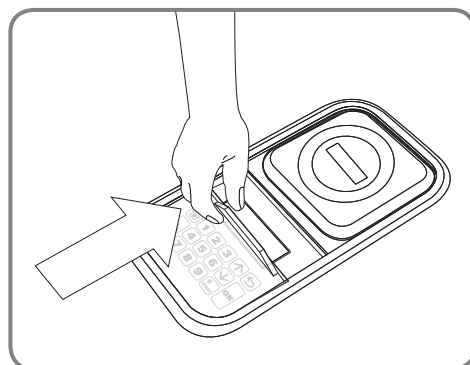
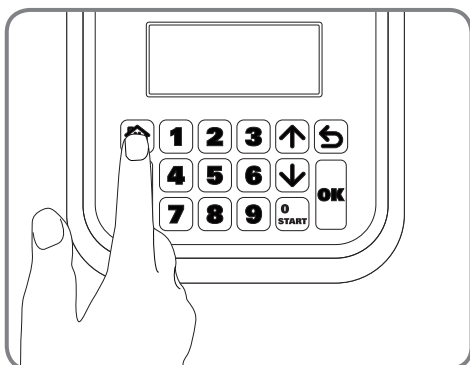
Stisknutím velkého červeného tlačítka na horní části sekačky Landroid®L otevřete okénko s klávesnicí.

Stiskněte a podržte tlačítko ON/OFF (Zap./Vyp.) , dokud se sekačka Landroid®L nezapne. potom zadejte výchozí PIN 0000.



Stiskněte  tlačítko a zavřete okénko s klávesnicí: vaše sekačka Landroid®L nyní vyhledá cestu do nabíjecí základny.

Sledujte, zda se sekačka Landroid®L vrátí do nabíjecí základny a pokud je potřeba, změňte umístění vymezovacího vodiče. Pokud se Landroid®L úspěšně vrátí do nabíjecí základny, znamená to, že instalace byla úspěšně dokončena! Nyní se váš Landroid®L začne plně nabíjet.



98

POZNÁMKA: Pokud se váš Landroid®L nachází v nabíjecí základně v době, kterou jste naprogramovali pro sečení, pak jednoduše stiskněte tlačítko STOP, zavřete okénko s klávesnicí a sekačka začne opět sekat trávu.

CZ




Varování

- Pokud se váš Landroid®L nachází mimo vymezenou oblast, nebude se pohybovat a na displeji se zobrazí chybová hláška "**mimo vymezenou oblast sečení**". V takovém případě jej přesuňte do vymezené oblasti a postupujte krokem 2.

- Pokud se váš Landroid®L nachází uvnitř vymezené oblasti, ale na displeji je zobrazeno "**mimo vymezenou oblast sečení**" a svítí kontrolka LED, znamená to, že jste nesprávně upnuli do svorky konec vymezovacího vodiče. Vodiče pouze mezi sebou zaměňte.

- Vaše sekačka Landroid®L by měla stále zůstat zapnutá. Pokud ji budete někdy potřebovat vypnout, pak se ujistěte, zda jste ji před opětovným spuštěním umístili do vymezené oblasti pro sečení.

- Pokud se vaše sekačka Landroid®L neočekávaně zastaví, stačí stisknout tlačítko STOP, otevřít okénko s klávesnicí, přepínač ON/OFF (Zap./Vyp.) přepnout do polohy ON (Zapnuto), odstranit závalu, stisknout tlačítko  a uzavřít okénko s klávesnicí.

POZNÁMKA: Podrobné informace naleznete v Příručce k programování a odstranění závad.

Programování

Po dokončení instalace nastal čas naprogramovat pomocí níže uvedené klávesnice Landroid®L, aby provedl požadovanou práci. Podrobné informace naleznete v Příručce k programování a odstranění závad, která je v balení přiložena.

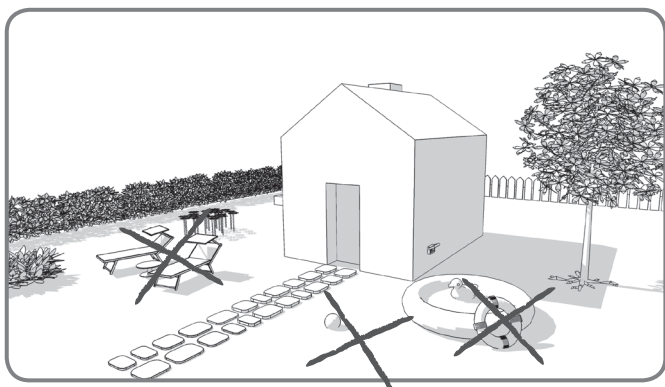


Připravení?

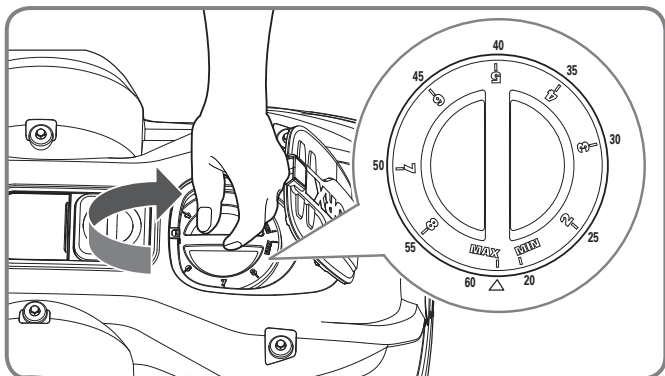
Landroid®L je určen k údržbě vašeho trávníku po celou sezónu v přesně stanovené výšce, ale není určen pro úpravu rozbujelé a neudržované zeleně.

Před prvním spuštěním byste měli

1. Trávník posekat na požadovanou výšku.
2. Ujistěte se, že je pracovní oblast zbavena nežádoucích předmětů, jako jsou hračky a větve ...



3. Při prvním sečení nastavte výšku na nejvyšší úroveň a poté ji upravte na vámi požadovanou výšku trávníku.

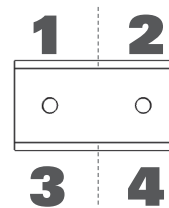


Na jaře v příštím roce začněte používat Landroid®L brzy, když je tráva ještě stále krátká, abyste se vyhnuli přípravnému posečení.

Udržujte ostré

 Při manipulaci s čepeli vždy používejte rukavice.

Landroid®L neprovádí sečení trávy stejně jako ostatní sekačky. Její čepel je ostrá jako břitva na všech 4 hranách a pro dosažení maximální řezné kapacity rotují v obou směrech. Každá čepel vaší sekačky Landroid®L má 4 řezné hrany. V závislosti na frekvenci sečení trávníku sekačkou Landroid®L je nutné řezné čepel pravidelně otáčet pro použití nové řezné hrany. Pokud je vaše sekačka Landroid®L naprogramována ke každodennímu sečení trávníku, pak bude nutné otáčet řezné čepel pro dosažení nejlepších výsledků každý měsíc. Životnost každé řezné čepel je při každodenním sečení až 4 měsíce. Pokud jsou řezné čepel tupé a opotřebené, měly by být nahrazeny novými, dodanými s vaší sekačkou Landroid®L. Náhradní čepel jsou k dispozici také u vašeho nejbližšího prodejce WORX.



Údržba

Váš Landroid®L je navržen a vyroben tak, aby mohl být ponechán ve venkovním prostředí bez ohledu na nepříznivé podmínky. Stačí pravidelně čistit kryt sekačky od nánosů trávy, a vaše sekačka Landroid®L tak bude pro vás připravena sekat bez jakýchkoliv problémů, každý rok, sezónu po sezóně. Sekačku neoplachujte vysokotlakou stříkací pistolí. Mohlo by dojít k poškození akumulátoru nebo vlastní sekačky.

Zimní uskladnění

Přestože to nemusí být jednoduché, doporučujeme v zimním období uskladnit sekačku Landroid®L v kůlně nebo garáži. Před uložením proveďte úplné nabití akumulátoru vaší sekačky Landroid®L, aby byl chráněn před poškozením. Poté můžete konektor odpojit od nabíjecí základny. Dobrá rada k prodloužení životnosti akumulátoru je jeho pravidelné dobíjení v zimním období. Dostatečné bude jeho plné dobíjení po každých 3 měsících. Rádi bychom také doporučili v zimním období zakrýt základnu nylonovým potahem.

100

CZ

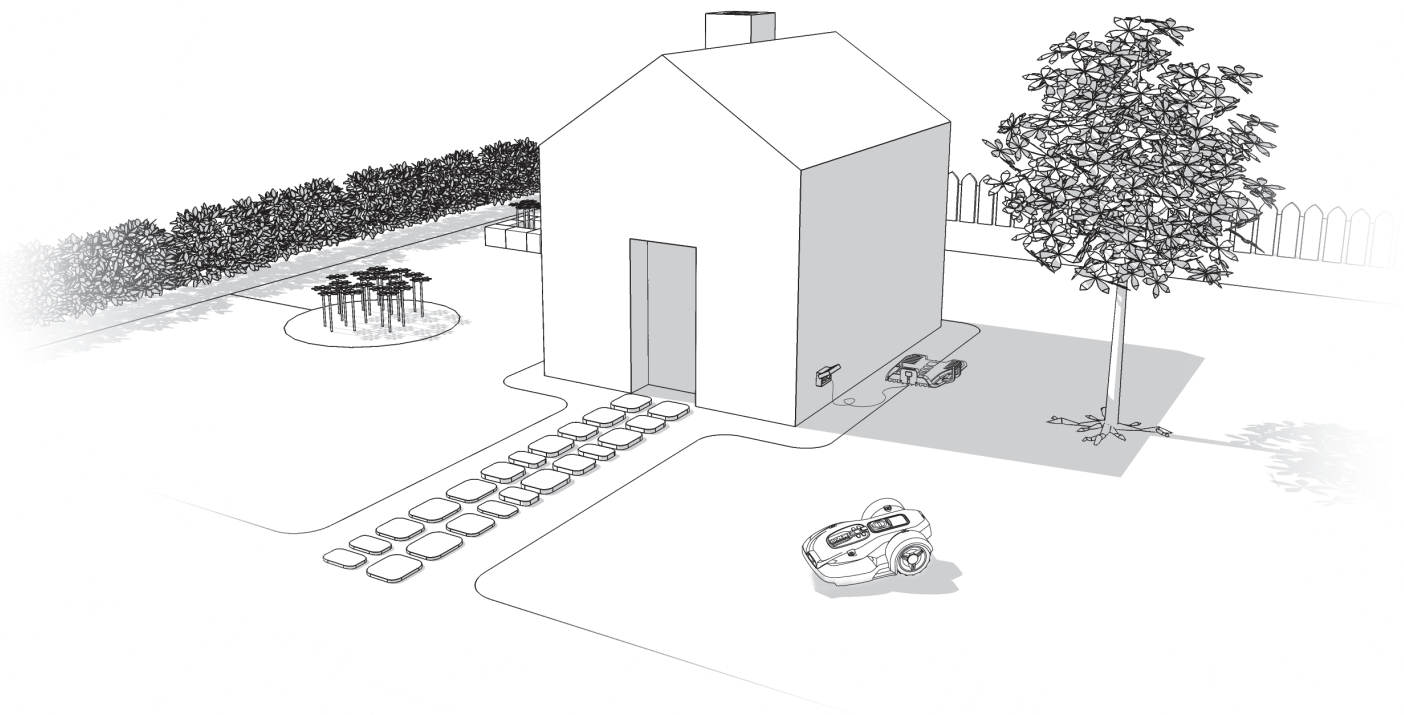
Bezpečnost

Vaše sekačka Landroid®L je pro člověka i pro domácí zvířata bezpečná. Za prvé, má mezi vnějším okrajem stroje a řeznými čepeli značný prostor. Mimo to, při nadzdvížení stroje ze země senzory náklonu okamžitě řezné čepel zastaví.

Zajištění

Vaše sekačka Landroid®L je chráněna kódem PIN. Tento kód PIN brání před jejím použitím neautorizovanými osobami. Jakmile je přesunuta mimo vymezenou oblast sečení, nebude jí možné znovu spustit bez znalosti PIN kódu. To ovšem také znamená, že nebudete moci svou sekačku Landroid®L spustit, pokud zapomenete PIN kód! Důrazně doporučujeme, abyste si zde svůj PIN kód zaznamenali pro budoucí použití. Ještě lépe bude, pokud si zaregistrujete Landroid®L on-line na www.worxlandroid.com a svůj PIN kód si zde zaznamenáte. Tak budete mít přístup ke svému kódu PIN kdykoliv budete potřebovat.

Svůj PIN kód si zaznamenejte zde



Ako nainštalovať vašu kosačku Landroid®L

102

SK

Inštalácia Landroid®L je veľmi jednoduchá. V závislosti od rozlohy vašej záhrady trvá celý tento proces len veľmi krátku dobu. Ak uvažujete ako my, začnite preklínať, že ste svoj drahocenný voľný čas venovali doposiaľ koseniu trávniku. Landroid®L je pre Vás tou najlepšou investíciou, aby ste už nikdy nemuseli kosiť váš trávnik, tak ako doposiaľ.

Ukázkové video inštalácie si môžete pozrieť na internetovej stránke www.worxlandroid.com.

Landroid®L zbožňuje kosenie

Je navrhnutý na časté kosenie, aby bol váš udržiavaný trávnik zdravší a vypadal lepšie, ako kedykoľvek predtým. V závislosti od rozlohy vášho trávniku môže byť Landroid®L naprogramovaný tak, aby početnosť a doba prevádzky nebola ničím obmedzená. Je tu preto, aby pre vás pracoval.

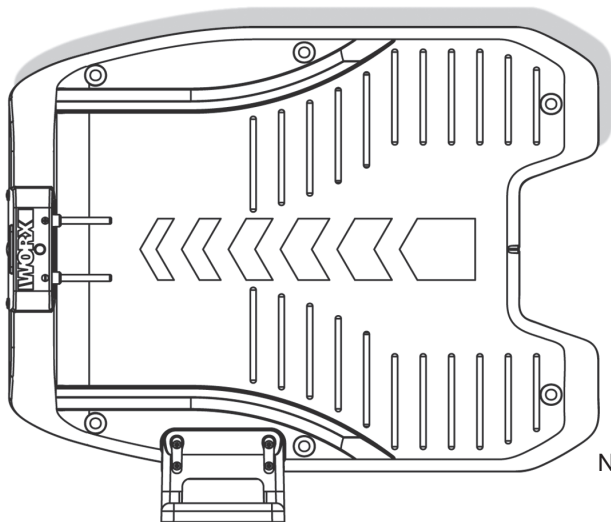
Prevádzkové náklady

Obávate sa účtu za elektrinu? Poďme si to spočítať: Pokiaľ necháte váš Landroid®L pracovať 3 hodiny denne, 5 dní v týždni, 25 týždňov v roku, náklady na elektrinu* spojenú s prevádzkou vašej kosačky Landroid®L budú približne 140 Kč. Áno, 140 Kč ročne. Zlomok ceny, čo by ste utratili za benzín pre vašu hlučnú, znečisťujúcu benzínovú kosačku.

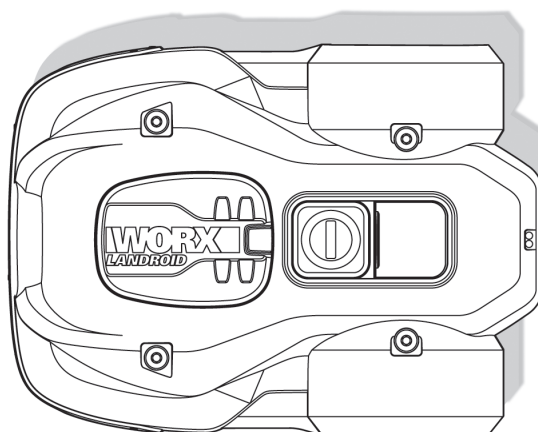
* Zdroj: www.energy.eu

Príprava

Obsah balenia



Nabijacia základňa



Landroid®L



Prídržné kolíky základne



Náhradé čepele



Cievka s vodičom na vymedzenie



kolíky určené na vymedzenie



Napájací kábel s transformátorom AC/DC



Návod na použitie



Inštaláčnã príručka

Meradlo vzdialenosti



Šesthranný kľúč

Z vašej dielne



Nožnice



Kladivo



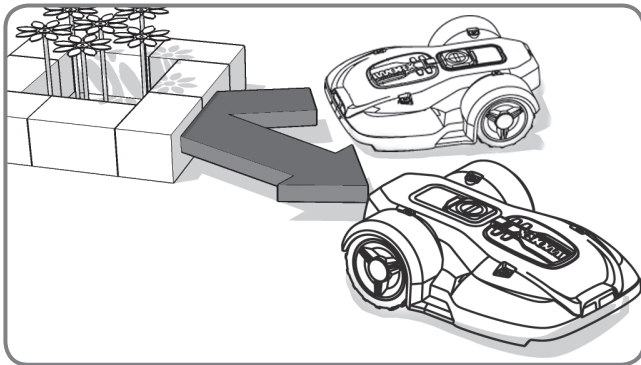
Príručka k programovaniu a odstraňovaniu porúch



Prehlásenie o záruke

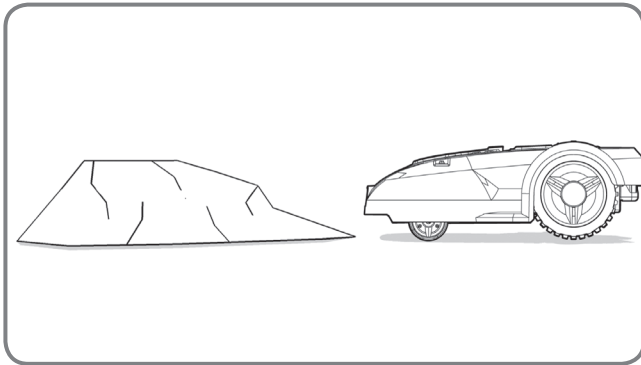
Landroid®L v novom domove – vašej záhrade

Začneme tým, že sa bližšie podívame na nový domov kosačky Landroid®L — váš trávnik — vyhradíme oblasti, kde sa môže bezpečne pohybovať a plochy, ktorým by sa mal Landroid®L najlepšie vyhnúť.



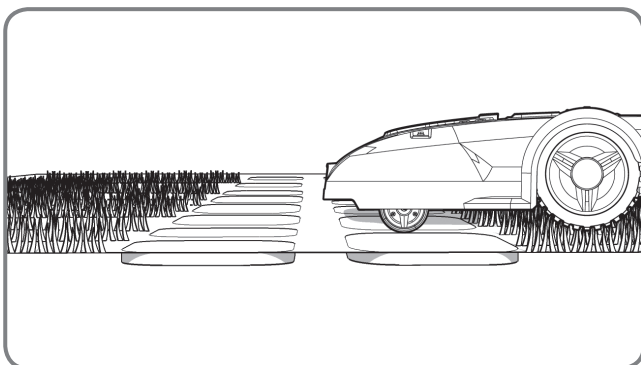
Prekážky, ktoré by mohli byť zachytené

Pri zachytení akejkoľvek prekážky, ktorá je pevná, stabilná a vyššia ako 15cm, ako je napríklad stena alebo plot, sa váš Landroid®L jednoducho zastaví a nasmeruje opačným smerom.



Kamene

Kontakt s kameňmi, ktoré sú dostatočne ťažké, aby ich nebolo možné kosačkou Landroid®L posunúť, je bezpečný. Pokiaľ však nejaký kameň má šikmý povrch, že by po ňom mohol Landroid®L vyjsť nahor, je vhodné ho buď odstrániť, alebo pracovný priestor vymedziť mimo kameň.

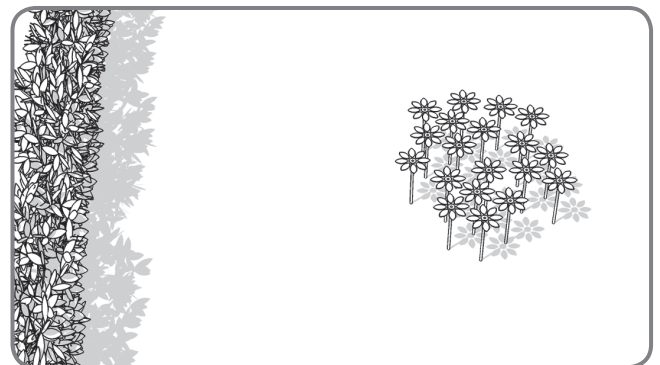
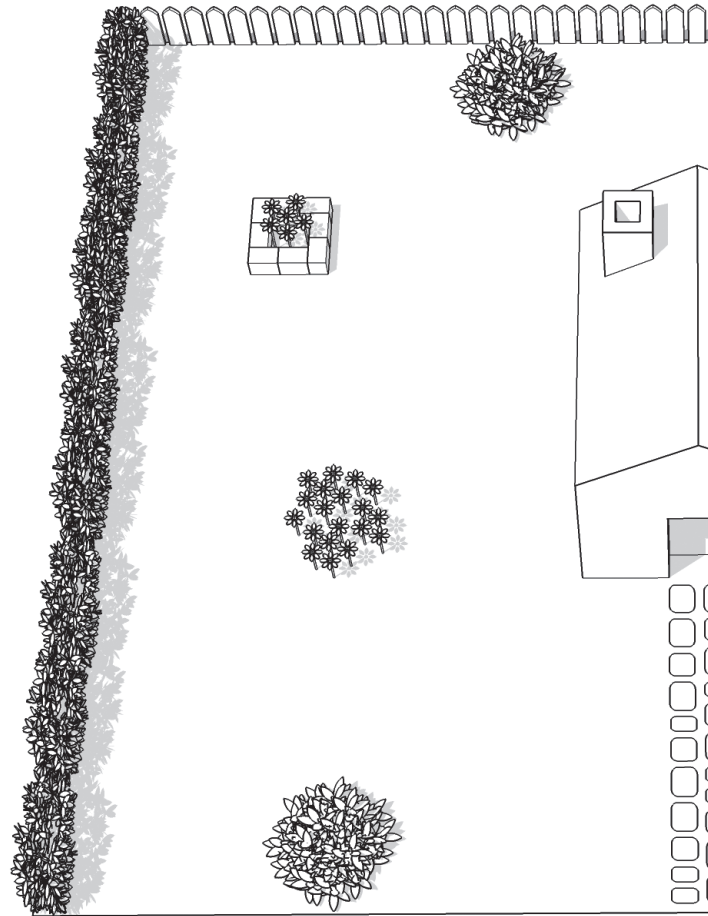


Príjazdové cesty

Ak je vaša príjazdová cesta v rovine s trávnikom, bez plochy, ktorá by vyčnievala, Landroid®L sa po nej môže voľne pohybovať. Ak by ste sa chceli s kosačkou Landroid®L tejto oblasti vyhnúť, stačí iba dodržať 10cm* vzdialenosť medzi vodičom na vymedzenie a cestou určenej na príjazd.

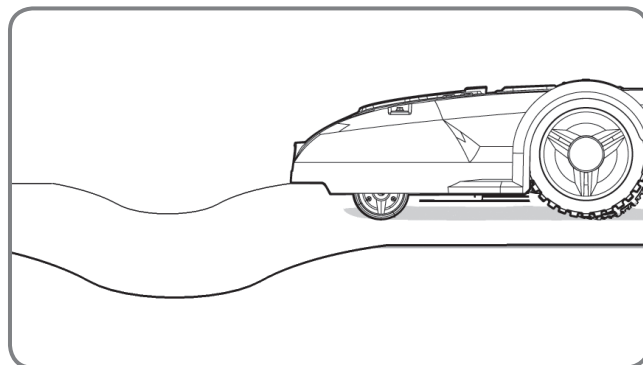
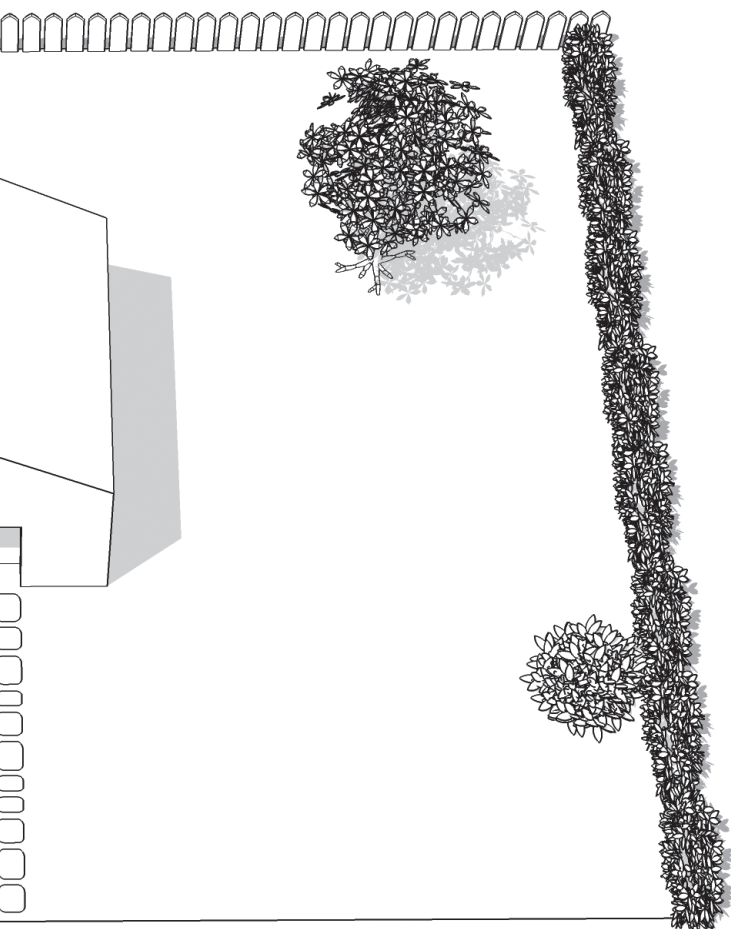
Ak je príjazdová cesta so štrkovitým povrchom, Landroid®L by po ňom nemal jazdiť. V takom prípade meradlom vzdialenosti vymedzte vzdialenosť medzi vodičom na vymedzenie a príjazdom 45cm*.

* Jedná sa o odporúčenú vzdialenosť. Na zaistenie správnej inštalácie použite dodané meradlo vzdialenosti.



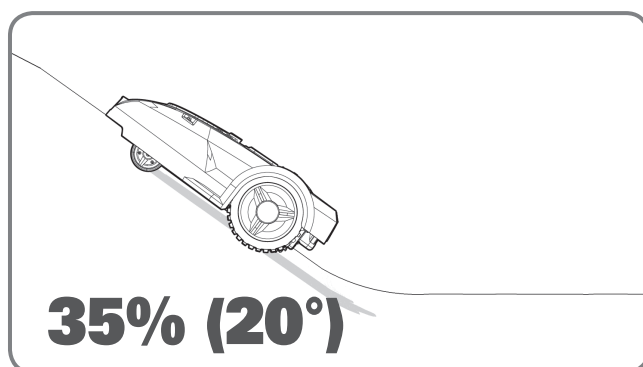
Záhony, jazierka, bazény...

Určite si neželáte, aby váš Landroid®L pokosil vaše kvetiny alebo spadol do vody. Týmto oblastiam je treba sa vyhnúť.



Jamy a nerovnosti

V prípade veľkých nerovností alebo poklesov zvážte, či sa čepele nedostanú do kontaktu so zemou; ak áno, zaistite pozvoľnejšie stúpanie alebo tieto miesta z vymedzenej pracovnej oblasti kosačky Landroid®L vylúčte.



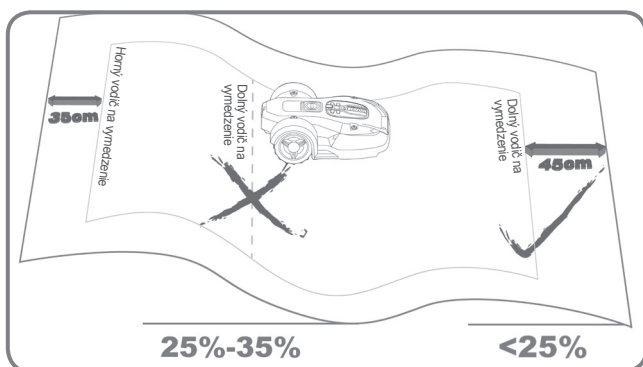
Svahy

Váš Landroid®L má schopnosť bezpečného stúpania vo svahu so sklonom až 35%(20°), vyvarujte sa teda použitiu v strmých svahoch.



Stromy

Ak zo zeme trčia korene, tieto miesta musíte vylúčiť z pracovnej oblasti, aby nedošlo k poškodeniu koreňov.



Umiestnenie vodiča na vymedzenie vo svahu

Horný vodič na vymedzenie by NEMAL byť umiestnený na svahoch so sklonom väčším ako 35%(20°). Horný vodič na vymedzenie by mal byť od prípadných prekážok vzdialený minimálne 35cm. Horný vodič na vymedzenie by NEMAL byť umiestnený na svahoch so sklonom väčším ako 25%(15°). Dolný vodič na vymedzenie by mal byť od prekážok vzdialený minimálne 45cm, ak je vo svahu so strmostou 25%.

Vyznačenie územia pre Landroid®L vo vašej záhrade

Váš Landroid®L musí vedieť, v akej oblasti bude pracovať. To je dôvod, prečo musíte pomocou vodiča na vymedzenie, ktorý bude tvoriť neviditeľný plot, vyznačiť pracovnú oblasť. Tento vodič slúži tiež k vedeniu vašej kosačky Landroid®L k vlastnej nabíjacej základni.

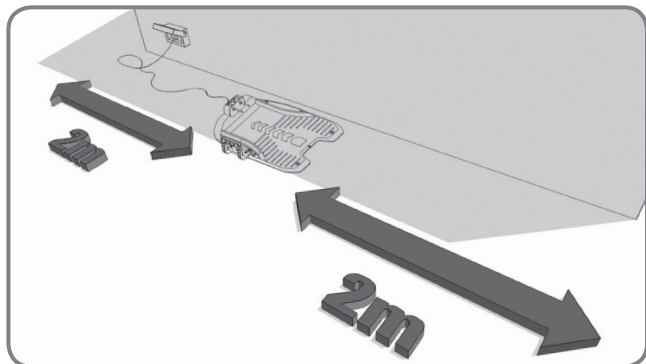
Ak váš sused používa tiež kosačku Landroid®L, musíte medzi vašim vodičom na vymedzenie vašimi susedmi udržiavať vzdialenosť minimálne 2 metre.

Uvedomte si prosím, že vaša kosačka Landroid®L nebude môcť prijímať signál z vodiča na vymedzenie, ak vzdialenosť od neho presiahne 25 metrov.

Zo všetkého najskôr zvolte najlepšie miesto pre základňu na nabíjanie s ohľadom na to, kde sa vonku nachádza vaša najbližšia elektrická zásuvka.

Nabíjacia základňa má napájací kábel z dĺžkou 15m.

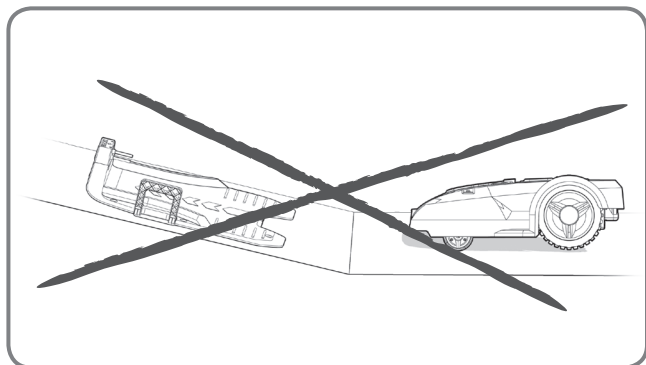
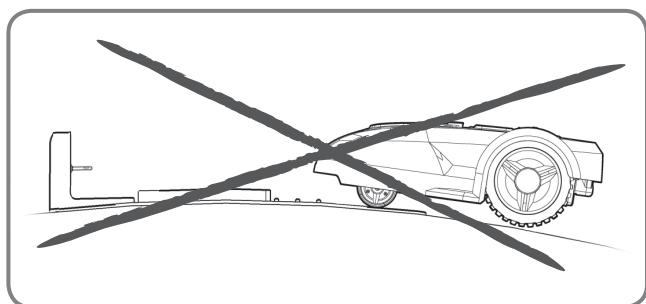
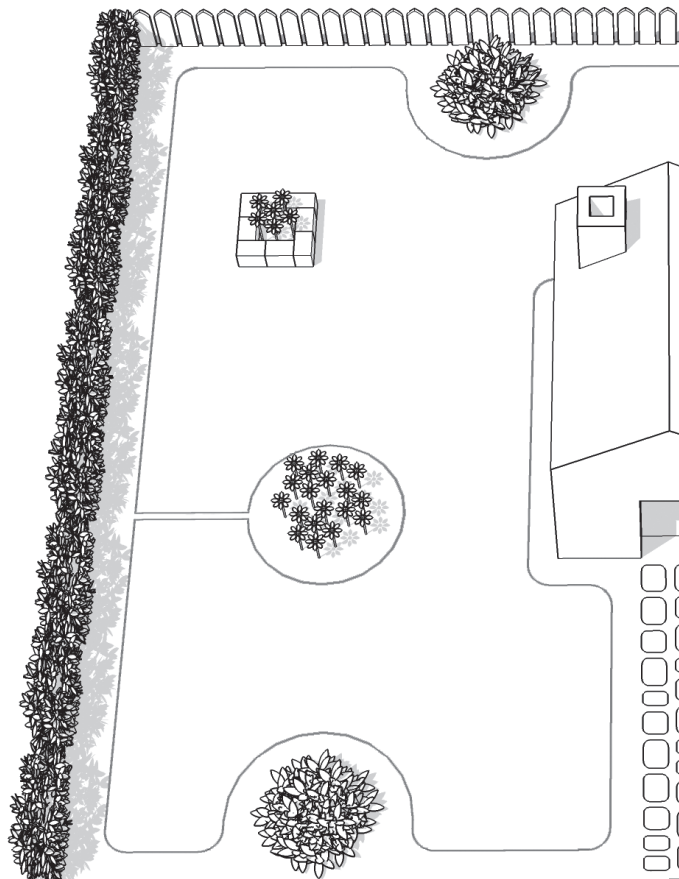
POZNÁMKA: Skontrolujte, či transformátor a elektrické zásuvky sú po celý čas uložené na suchom mieste.



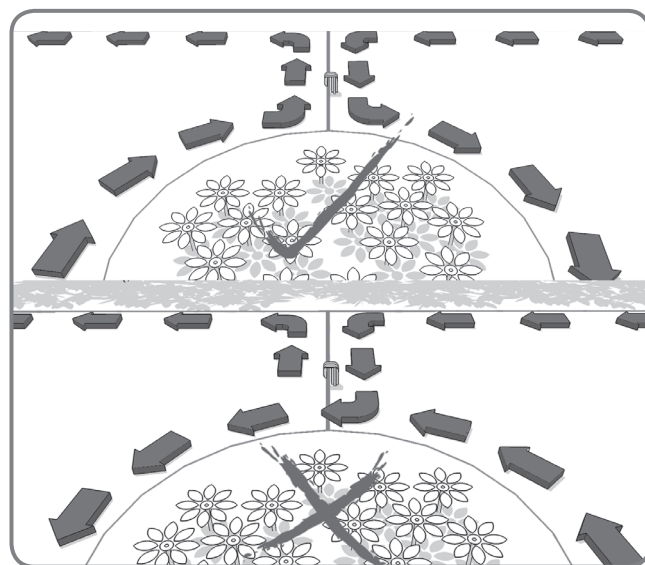
106

SK

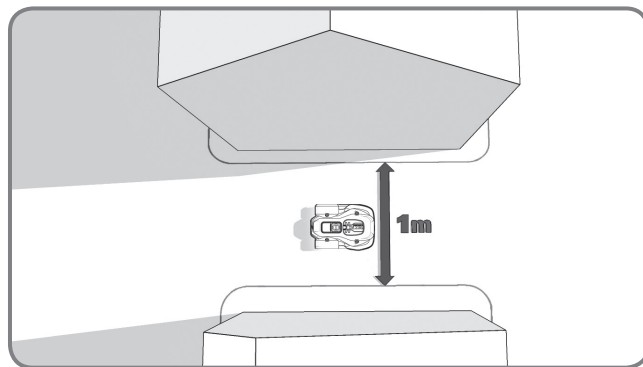
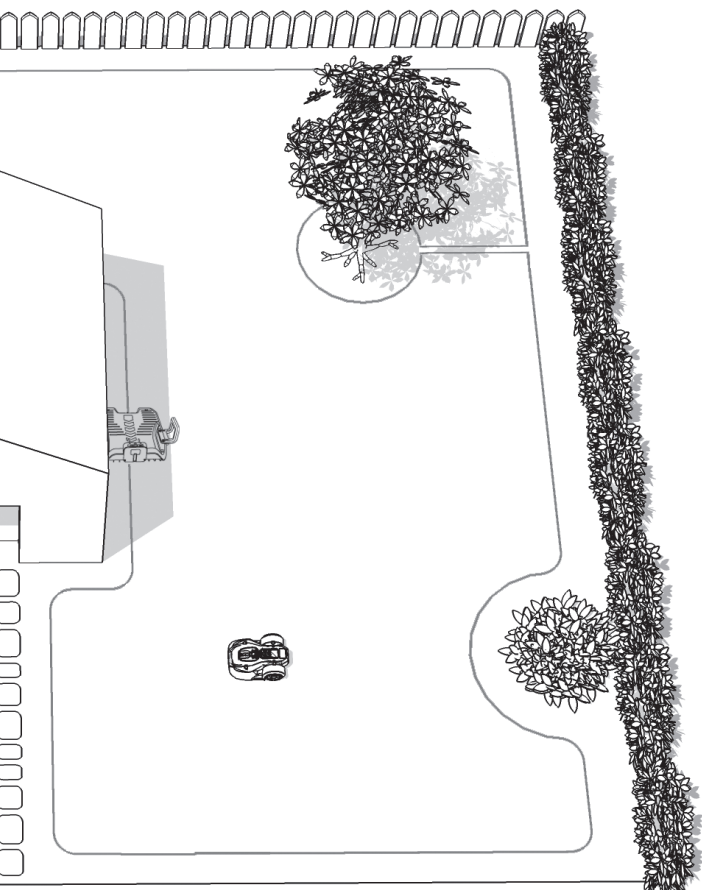
AK to bude možné, nabíjajúcu základňu umiestnite v tieni — na chladnom mieste sa akumulátory lepšie nabíjajú.



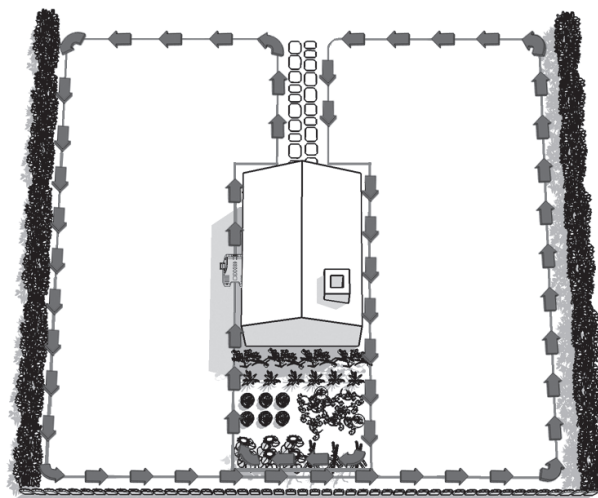
Skontrolujte, či je nabíjacia základňa na rovnej ploche, bez akýchkoľvek prekážok.



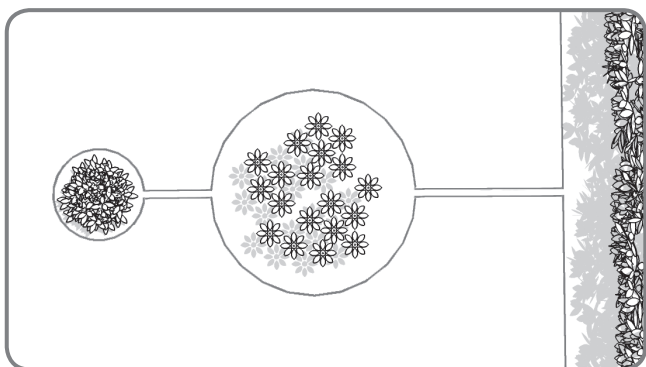
Ostrov je oblasť, ktorá je umiestnená vo vnútri vášho trávniku, kde si neželáte, aby kosačka Landroid®L pracovala. Vodič určený na vymedzenie začína viesť od hranice vymedzeného priestoru kosenia, vedie priamo k ostrovu, okolo neho a naspäť k hranici, tak, ako je znázornené šípkami na obrázku.



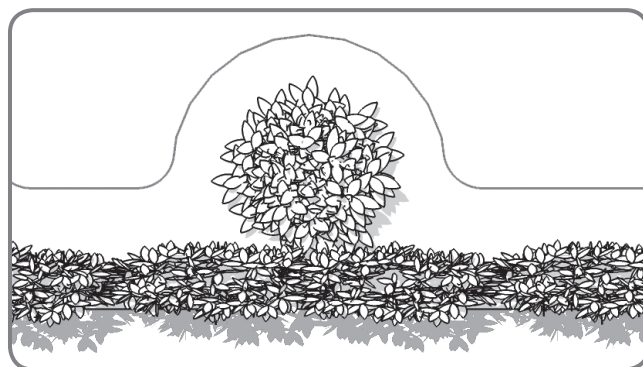
Ak má váš trávnik dve alebo viac samostatných oblastí vzájomne prepojených koridorom, tento koridor musí byť najmenej 1 meter široký.



Ak vaše trávniky nie sú spojené koridorom, ktorý je dostatočne široký, potom budete musieť kosačku Landroid®L zdvihnúť a presunúť do ďalšej vymedzenej oblasti na trávniku. Landroid®L bude bez problémov vykonávať kosenie trávy v tejto oblasti, ale po vybití akumulátora ho budete musieť k nabíjacej základni preniesť naspäť.



V prípade, že sú dva ostrovy veľmi blízko pri sebe, bude vhodné vedenie vodiča vyššie uvedeným spôsobom. Landroid®L sa môže voľne pohybovať cez vodič na vymedzenie medzi ostrovmi a vymedzenou oblasťou kosenia.

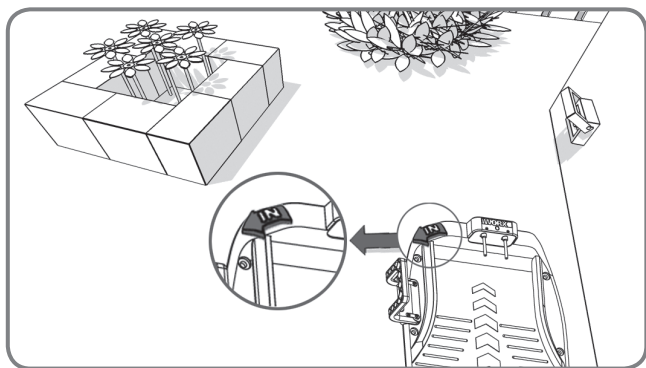


Zakázaná plocha, ktorá sa nachádza v blízkosti hranice plochy určenej na sekание, by mala byť súčasťou tejto hranice, ako je zobrazené na obrázku.

Inštalácia

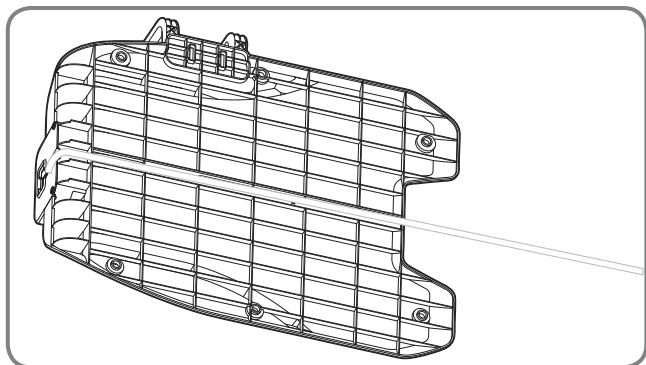
Zaistenie vodiča na vymedzenie kolíkmi

Odporúčame vám, aby ste na mieste, kde má byť položený vodič najskôr pokosili trávnik použitím normálnej alebo strunovej kosačky. Tým si zaistíte, aby bol vodič položený čo najbližšie k zemi a nedošlo tak k tomu, aby sa neúmyselne presekol kosačkou Landroid®L. Vodič na vymedzenie je napájaný veľmi nízkym napätím, takže je úplne bezpečný pre človeka aj pre domáce zvieratá.



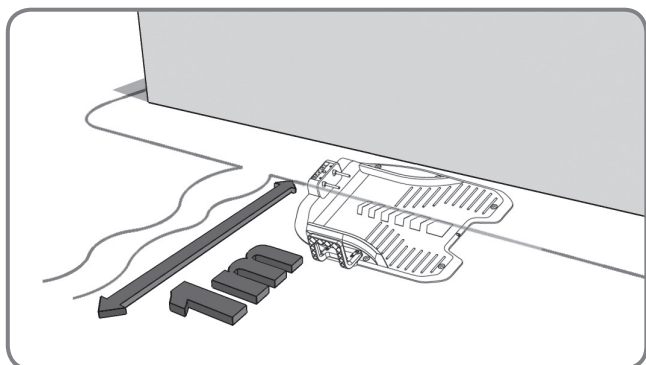
1

Nabíjaciu základňu umiestnite na určené miesto tak, aby nebola upevnená natrvalo. Šípka "IN" musí byť orientovaná tak, aby ukazovala dovnútra vášho trávniku.



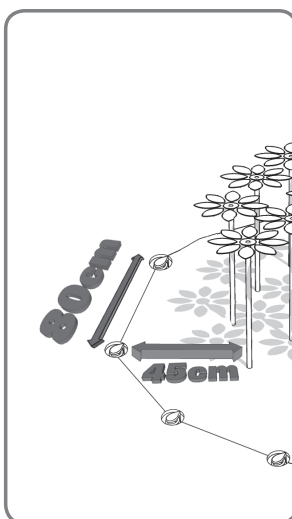
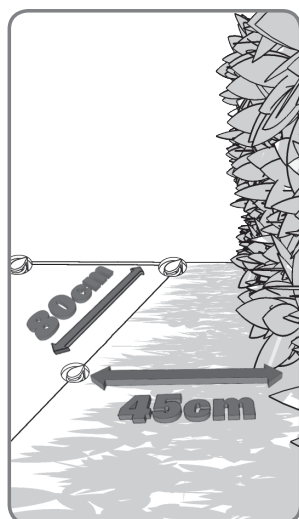
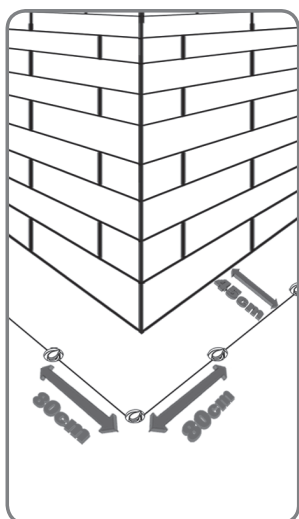
2

Vodič na vymedzenie vedte tunelom pod nabíjacou základňou.



3

Nechajte asi o 1 meter dĺžky vodiča navyč, začnite od zadnej strany nabíjacej základne a vodič upevňujte kolíkmi pozdĺž vymedzenej oblasti. Po skončení pokládky vodiča pozdĺž hranice, ktorá vymedzuje oblasť určenej na kosenie a jeho zavedenie naspäť do nabíjacej základne nechajte opäť o jeden meter vodiča navyč, a potom ho skráťte.



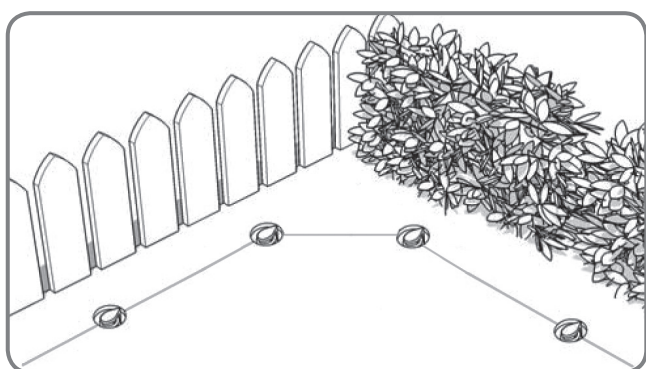
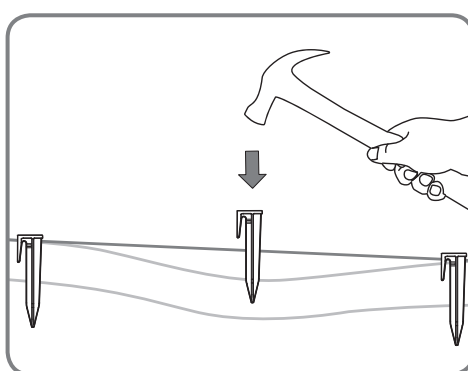
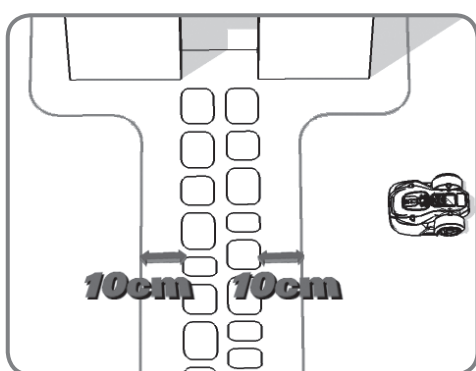
4

Pri pokladaní vodiča na vymedzenie udržujte medzi vodičom a hranicou vymedzenej oblasti pomocou meradla vzdialenosť odstup 45cm*. V prípade prekážky, ktorá je na úrovni zeme a je bezpečná pre príjazd kosačky Landroid®L, ako sú napríklad príjazdové cesty alebo chodník, je nutné dodržať odstup iba 10cm*.

Jednotlivé vymedzovacie kolíky by mali byť od seba vo vzdialenosti 80cm.

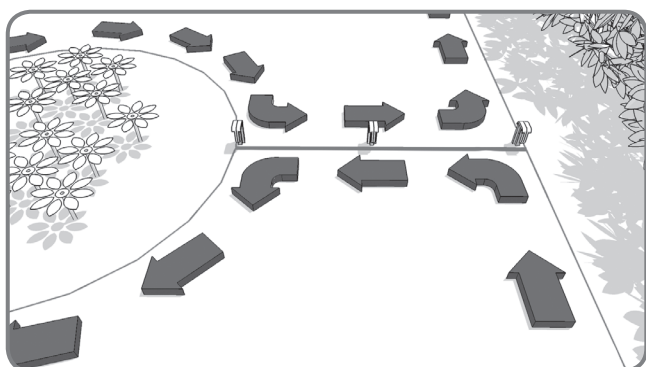
Vymedzovacie kolíky zatlačte kladivom napevno do zeme. Dajte ale pozor, aby nebol vymedzovací vodič vystavený príliš veľkému tlaku. Vymedzovací vodič musí byť vedený medzi kolíkmi priamo a napätý, aby nemal žiadne previsy.

* Jedná sa o odporúčenú vzdialenosť. Na zaistenie správnej inštalácie použite dodané meradlo vzdialenosti.



5

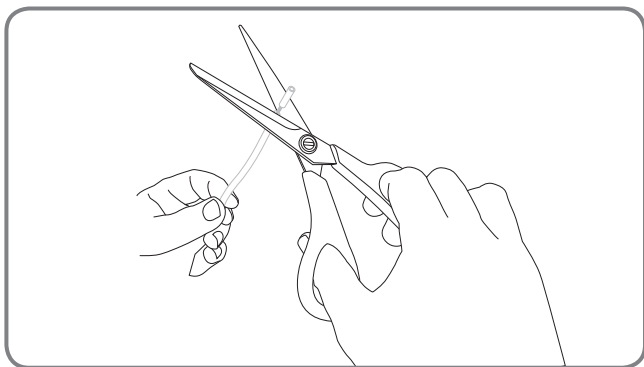
Zaistite, aby bol vymedzovací vodič vo všetkých rohoch vedený úplne rovno.



6

Pri tvorbe ostrova pomocou vymedzovacieho vodiča dodržujte vedenie podľa obrázku. Vodič by mal viesť od ohraničenej oblasti smerom k ostrovu a potom naspäť k ohraničenej oblasti. Vymedzovacie vodiče medzi ostrovom a ohraničenou oblasťou by mali byť vedené tesne vedľa seba a uchytené na mieste rovnakým vymedzovacím kolíkom. Počas prevádzky musí mať kosačka Landroid®L možnosť voľne prechádzať cez túto časť vodiča.

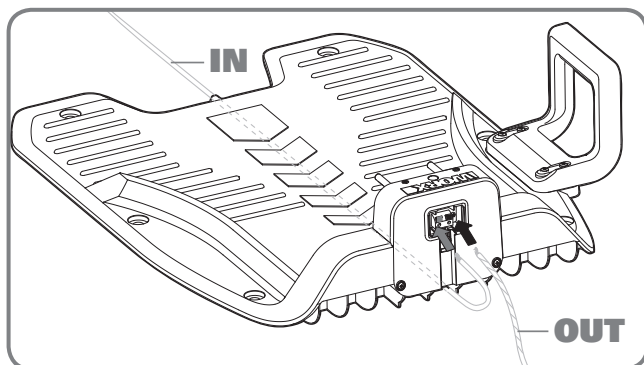
Pripojenie základne k vymedzovaciemu vodiču



1

Odstrihnite dva konce drôtu vo vhodnej dĺžke tak, aby dosiahli ku svorke.

Z obidvoch koncov vodiča odstráňte izoláciu.



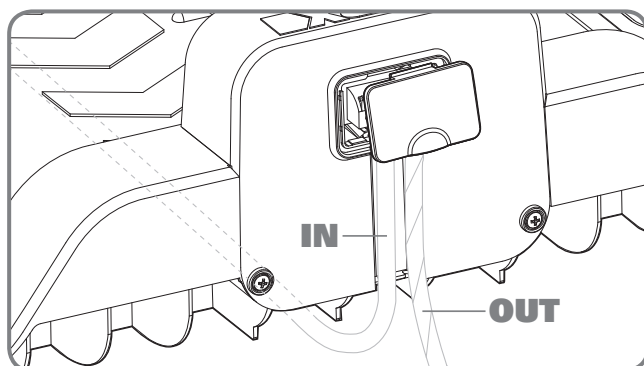
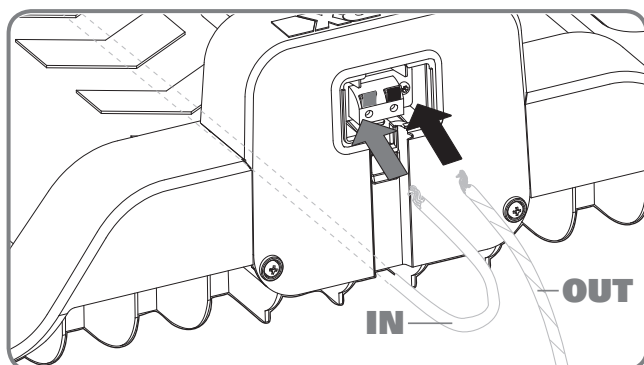
2

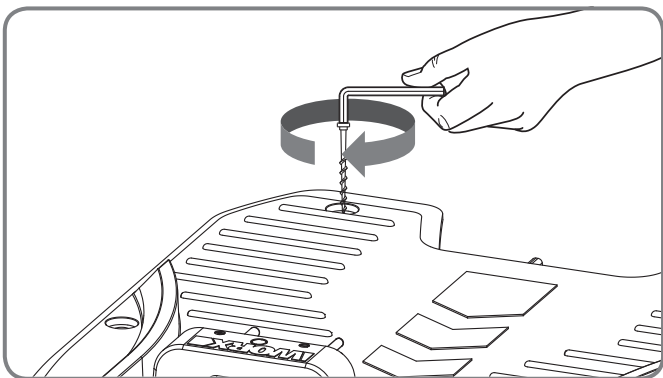
Pri pripájaní k nabíjacej základni bude rozlíšený vstupný (IN) a výstupný (OUT) vodič tak, ako je znázornené. Vstupný vodič (IN) pripojte k červenej svorke nabíjacej základne a výstupný vodič (OUT) k čiernej svorke.

Poto kryt uzatvorte.

110

SK

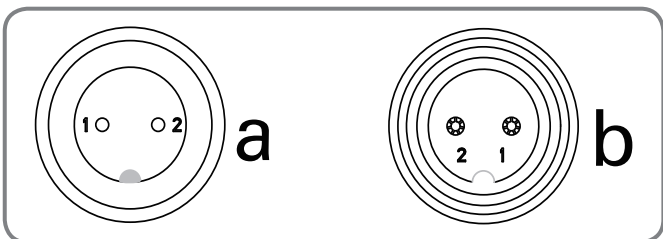




3

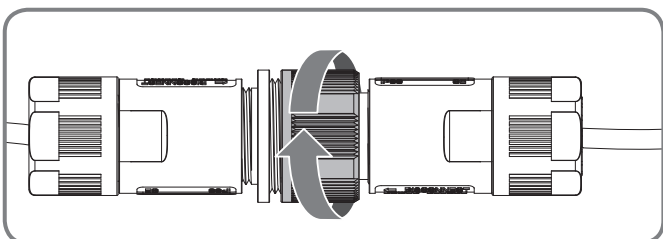
Teraz môžete nabíjaciu základňu napevno uchytiť k zemi utiahnutím dodaných pridržných kolíkov základne dodaným šesťhranným kľúčom.

Poznámka: Skontrolujte, či vstupný vodič (IN) vedie priamo do tunela pod nabíjacou základňou.



4

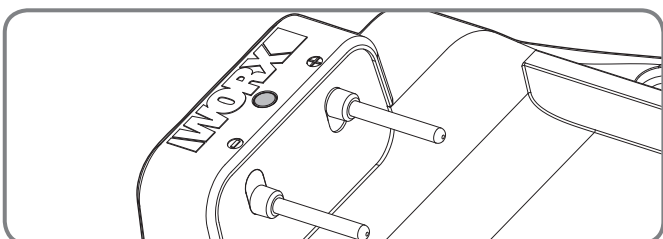
Napájací kábel pripojte k transformátoru a potom do elektrickej sieťovej zásuvky. Na nabíjacej základni sa rozsvieti kontrolka LED. Ak sa kontrolka LED nerozsvieti, preštudujte si Príručku na programovanie a odstránenie porúch. Pri pripájaní vyrovnajte výrez na konektore napájacieho kábla (a) s drážkou na konektore transformátora (b).



Skontrolujte, či prevádzkate skrutkovanie a odskrutkovanie iba zvýraznenej časti konektora.

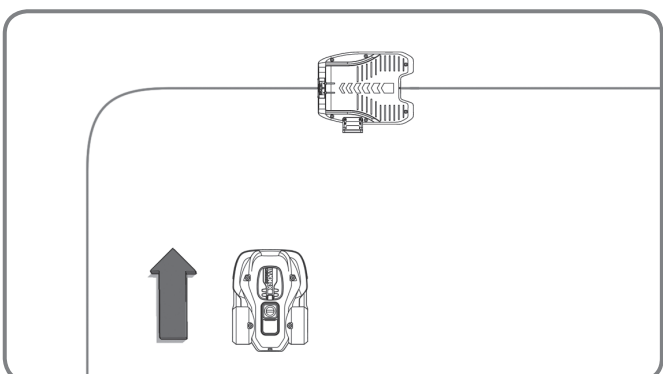
Ak sa zelená kontrolka nerozsvieti, skontrolujte pripojenie napájania.

V prípade, že sa napájací kábel nachádza v pracovnej oblasti, môžete ho podľa potreby zasypať.



Spustenie a skúška inštalácie

Prvé zapnutie vašej kosačky Landroid®L je veľmi vzrušujúce.




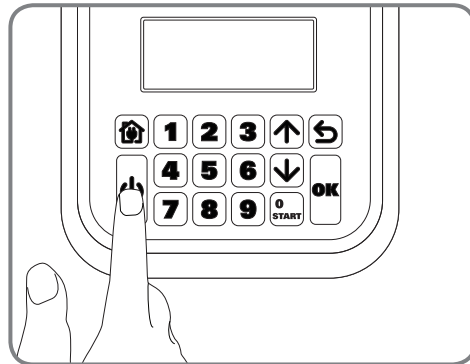
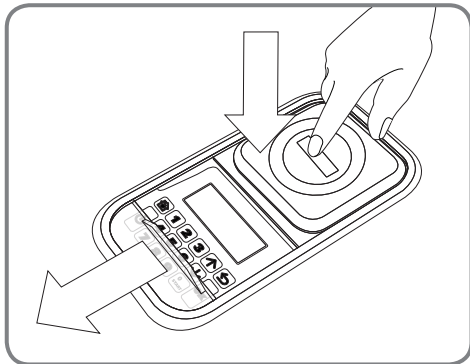
1


Kosačku Landroid®L umiestnite vo vnútri pracovnej plochy, len niekoľko metrov od základnej časti nabíjacej základne.

2

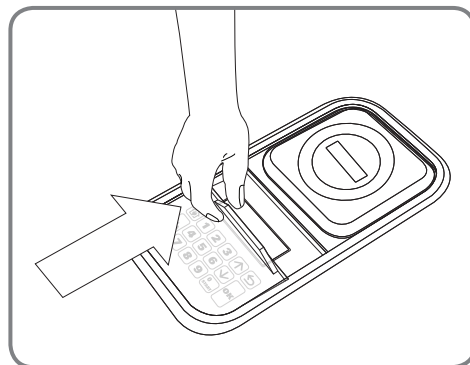
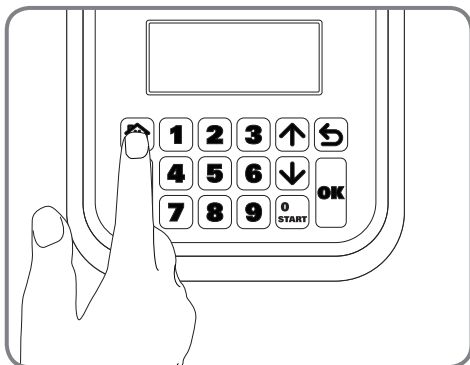
Stlačením veľkého červeného tlačidla na hornej časti kosačky Landroid®L otvoríte okienko s klávesnicou.

Stlačte a podržte tlačidlo ON/OFF (Zap./Vyp.)  pokiaľ sa kosačka Landroid®L nezapne. potom zadajte východzí PIN 0000.



Stlačte tlačidlo  a zatvorte okienko s klávesnicou: vaša kosačka Landroid®L teraz vyhľadá cestu k nabíjacej základni.

Sledujte, či sa kosačka Landroid®L vráti do nabíjacej základne a ak to bude potrebné, zmeňte umiestnenie vodiča na vymedzenie. Ak sa Landroid®L úspešne vráti do nabíjacej základne, znamená to, že inštalácia bola úspešne dokončená! Teraz sa váš Landroid®L začne nabíjať.



POZNÁMKA: Ak sa váš Landroid®L nachádza v nabíjacej základni v čase, ktorý ste naprogramovali pre kosenie, potom jednoducho stlačte tlačidlo STOP, zatvorte okienko s klávesnicou a kosačka začne opäť kosiť trávu.




Varovanie

• Ak sa váš Landroid®L nachádza mimo vymedzenú oblasť, nebude sa pohybovať a na displeji sa zobrazí hláška chyby "**mimo vymedzenú oblasť kosenia**". V takom prípade ho presuňte do vymedzenej oblasti a postupujte podľa kroku 2.

• Ak sa váš Landroid®L nachádza vo vnútri vymedzenej oblasti, ale na displeji je zobrazené "**mimo vymedzenú oblasť kosenia**" a svieti kontrolka LED, znamená to, že ste nesprávne pripevnili koniec vymedzovacieho vodiča. Vodiče len medzi sebou vymeňte.

• Vaša kosačka Landroid®L by mala zostať stále zapnutá. Ak ju niekedy budete potrebovať vypnúť, uistite sa, či ste ju pred opätovným spustením umiestnili do vymedzenej oblasti na kosenie.

• Ak sa vaša kosačka Landroid®L neočakávane zastaví, stačí stlačiť tlačidlo STOP, otvoriť okienko s klávesnicou, prepínač ON/OFF (Zap./Vyp.) prepnúť do polohy ON (Zapnuté), odstrániť poruchu, stlačiť tlačidlo  a uzavrieť okienko s klávesnicou.

POZNÁMKA: Podrobné informácie nájdete v Príručke k programovaniu a odstraňovaniu porúch.

Programovanie

Po dokončení inštalácie nastal čas programovať pomocou nižšie uvedenej klávesnice Landroid®L, aby previedol požadovanú prácu. Podrobné informácie nájdete v Príručke k programovaniu a odstraňovaniu porúch, ktorá je priložená k baleniu.

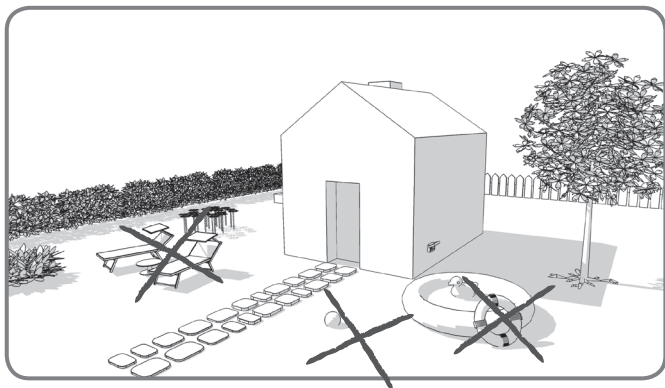


Pripravení?

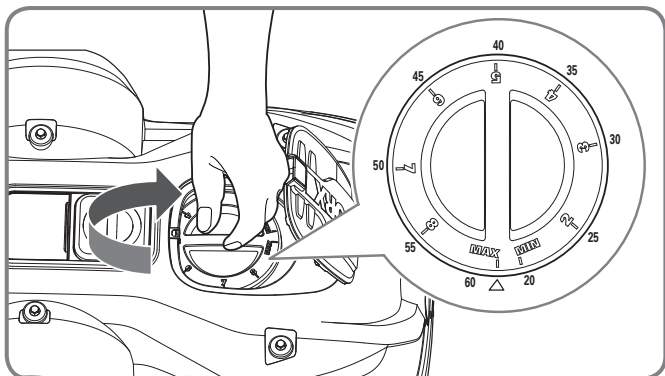
Landroid®L je určený na údržbu vášho trávniku počas celej sezóny na presne stanovenú výšku, ale nie je určený na úpravu bujnej a neudržiavanej zelene.

Pred prvým zapnutím by ste mali,

1. Trávnik pokosiť na požadovanú výšku.
2. Skontrolujte, či je pracovná oblasť zbavená nežiadúcich predmetov, ako sú hračky a konáre...



3. Pri prvom kosení nastavte výšku na najvyššiu úroveň a potom ju upravte na vami požadovanú výšku trávniku.

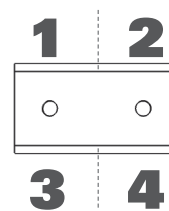


Na budúci rok na jar začnite používať Landroid®L skôr, keď je tráva ešte stále krátka, aby ste sa vyhli prípravnému koseniu.

Udržujte ostré

 Pri manipulácii s čepeľami vždy používajte rukavice.

Landroid®L nevykonáva kosenie trávy rovnakým spôsobom ako ostatné kosačky. Jej čepele sú ostré ako britva na všetkých 4 hranách a na dosiahnutie maximálnej reznej kapacity rotujú v oboch smeroch. Každá čepeľ vašej kosačky Landroid®L má 4 rezné hrany. V závislosti od frekvencie kosenia trávniku kosačkou Landroid®L je nutné rezné čepele pravidelne otáčať na použitie novej reznej hrany. Ak je vaša kosačka Landroid®L naprogramovaná na každodenné kosenie trávniku, potom bude nutné otáčať rezné čepele, aby ste dosiahli najlepšie výsledky každý mesiac. Životnosť každej reznej čepele je pri každodennom kosení až 4 mesiace. Ak sú rezné čepele tupé a opotrebované, mali by byť nahradené za nové, dodané s vašou kosačkou Landroid®L. Náhradné čepele sú k dispozícii tiež u vášho najbližšieho predajcu WORX.



Údržba

Váš Landroid®L je navrhnutý a vyrobený tak, aby mohol byť nechán vo vonkajšom prostredí bez ohľadu na nepriaznivé podmienky. Stačí pravidelne čistiť kryt kosačky od nánosov trávy a vaša kosačka Landroid®L tak bude pre vás pripravená kosiť bez akýchkoľvek problémov, každý rok, sezónu za sezónou. Kosačku neoplachujte vysokotlakovou striekacou pištoľou. Mohlo by dôjsť k poškodeniu akumulátora alebo samotnej kosačky.

Uskladnenie na zimu

Aj keď to nemusí byť jednoduché, odporúčame vám v zimnom období uskladniť kosačku Landroid®L v kólni alebo v garáži. Pred uložením preveďte úplné nabitie akumulátora vašej kosačky Landroid®L, aby bol chránený pred poškodením. Potom môžete konektor odpojiť od nabíjacej základne. Dobrá rada k predĺženiu životnosti akumulátora je jeho pravidelné dobíjanie v zimnom období. Dostatočné bude jeho úplné dobitie po uplynutí každých 3 mesiacov. Odporúčame vám v zimnom období zakryť základňu nylonovým poťahom.

114

SK

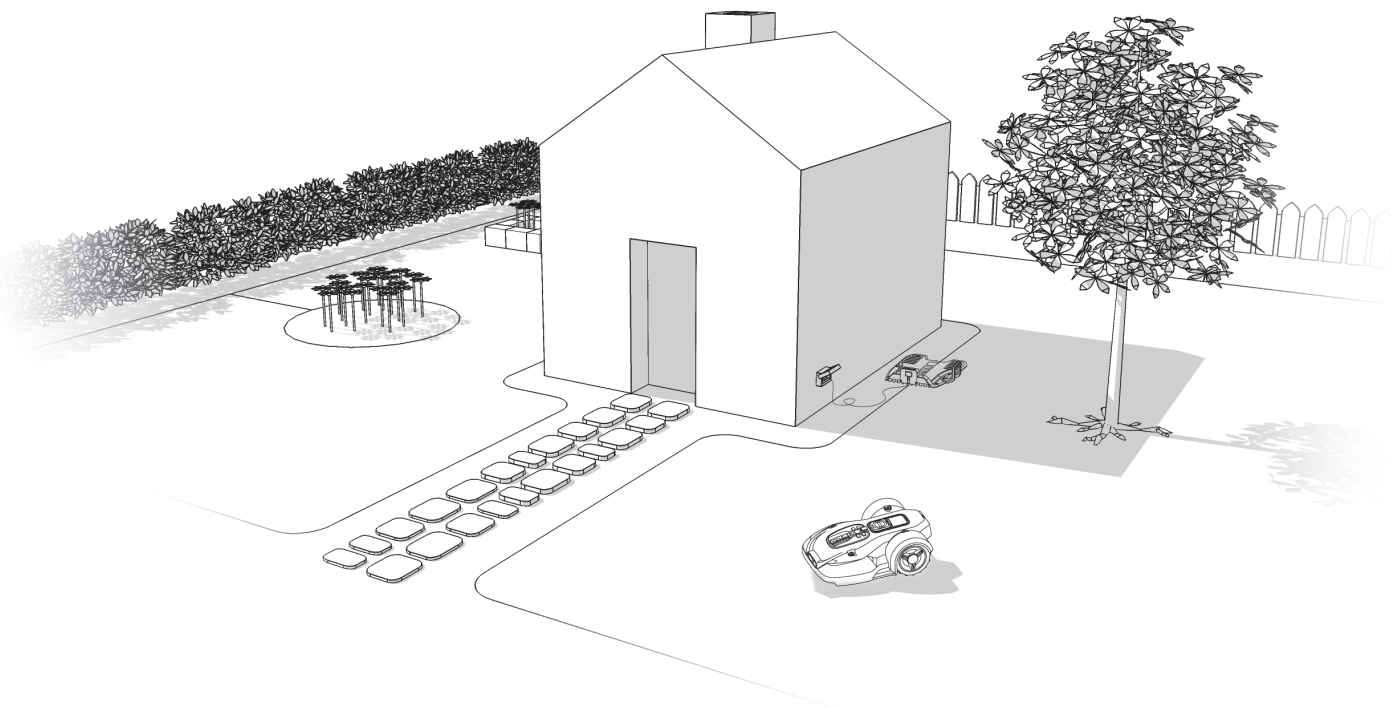
Bezpečnosť

Vaša kosačka Landroid®L je pre človeka aj pre domáce zvieratá bezpečná. Po prvé, medzi vonkajším okrajom stroja a reznými čepeľami má veľký priestor. Okrem toho pri zdvihnutí stroja zo zeme senzory sklonu okamžite rezné čepele zastavia.

Zaistenie

Vaša kosačka Landroid®L je chránená kódom PIN. Tento kód PIN bráni pred jej použitím neautorizovanými osobami. Hneď ako bude presunutá mimo vymedzenú oblasť kosenia, nebude ju možné znovu pustiť bez znalosti PIN kódu. Znamená to tiež, že nebudete môcť svoju kosačku Landroid®L zapnúť, ak zabudnete PIN kód! Odporúčame vám, aby ste si svoj PIN kód zaznamenali pre budúce použitie. Ešte lepšie bude, ak si zaregistrujete Landroid®L on-line na www.worxlandroid.com a svoj PIN kód si tu zaznamenáte. Tak budete mať prístup ku svojmu kódu PIN, kedykoľvek budete potrebovať

Svoj PIN kód si zaznamenajte na tomto mieste



Sådan kommer du i gang med din Landroid®L

116

DK

Installationen af din Landroid®L er let. Afhængig af størrelsen af din have, tager hele processen kun et kort stykke tid. Hvis du ligesom os hader at spilde din kostbare tid med at slå græs. Vil Landroid®L vise sig at være din bedste investering, der eliminerer behovet for at slå græsset igen.

Du kan se en demo video på www.worxlandroid.com.

Landroid®L elsker at slå græs

Den er designet til at slå græs ofte, for at vedligeholde en sundere og bedre udseende plæne end nogensinde før. Afhængig af størrelsen af din plæne, kan Landroid®L programmeres til at operere til enhver tid eller frekvens uden nogen restriktioner. Den er her for at arbejde for dig.

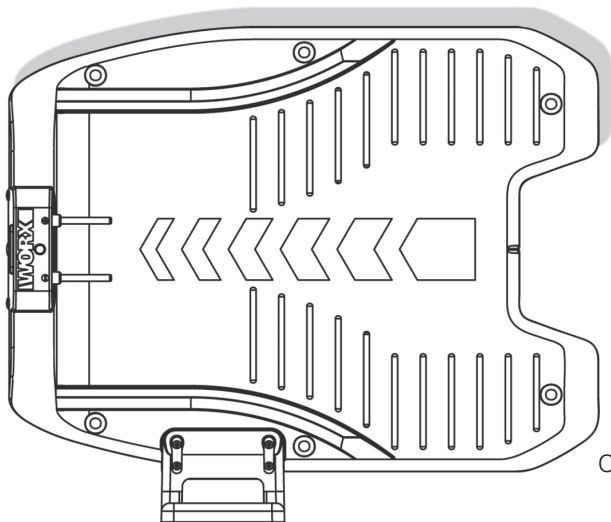
Omkostninger

Bekymrer du dig for elregningen? Lad os regne lidt på det: Hvis du lader din Landroid®L køre i 3 timer hver dag, 5 dage om ugen i 25 uger om året, så vil din Landroid®L koste ca. 62 kr. i elektricitet*. Ja, kun 62 kr. om året. Det er kun en brøkdel af, hvad du ville bruge på benzin til din larmende og forurenende benzindræsmaskine.

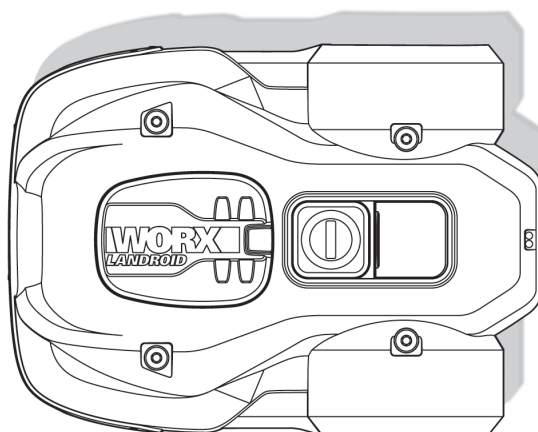
* Kilde: www.energy.eu

Forberedelse

I kassen



Opladestation



Landroid®L



Pløkker til opladestationen



Ekstra klinger



Rulle til grænsekabel



Pløkker til grænsekabel



E-ledning med AC/DC transformer

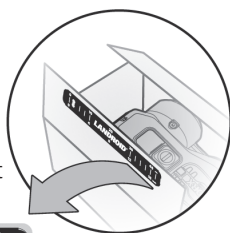


Brugsvejledning



Installationsvejledning

Afstandsmåler til grænsekablet



Allennøgle



Programmering og fejlfindingsvejledning



Garantierklæring

Fra dit skur



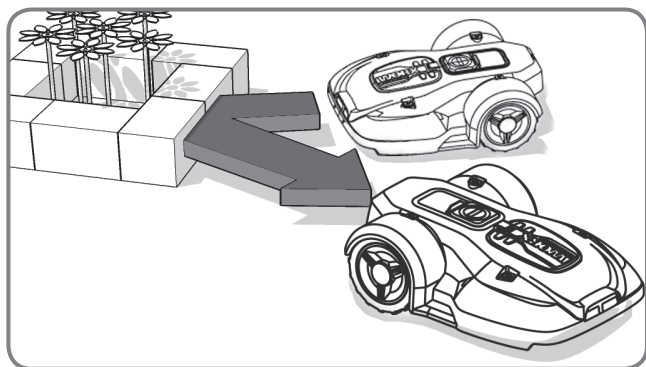
En saks



En hammer

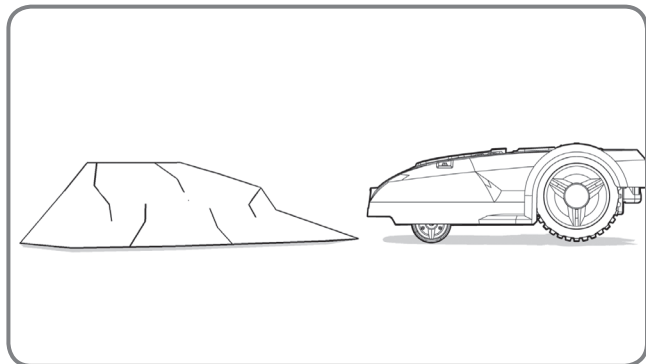
Din Landroid®L's nye hjem – din have

Lad os starte med et kig på din Landroid®L's nye hjem – din have – her skal du finde de områder, hvor den sikkert kan køre, og de områder, som helt skal undgås.



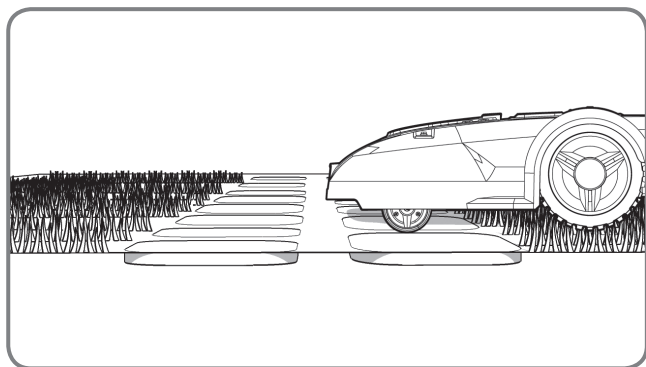
Forhindringer som kan rammes

Hvis din Landroid®L rammer genstande, som er solide, stabile og højere end 15cm - såsom en væg eller et hegn - vil den blot stoppe og dreje væk fra genstanden.



Sten

Din Landroid®L kan sikker køre mod en sten, som er for stor til at den kan flytte den. Men hvis stenen har en skrå overflade, som din Landroid®L kan køre op ad, skal du flytte stenen eller fjerne den helt fra området.

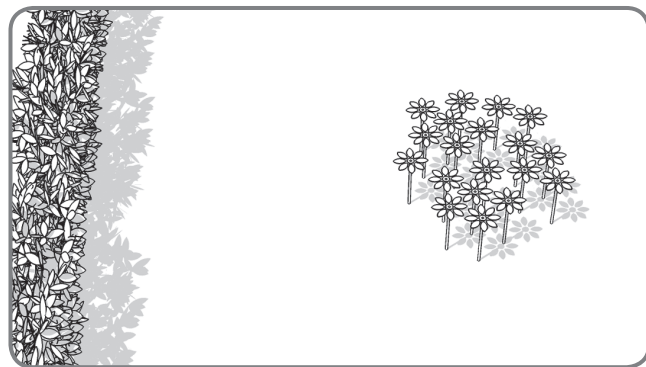
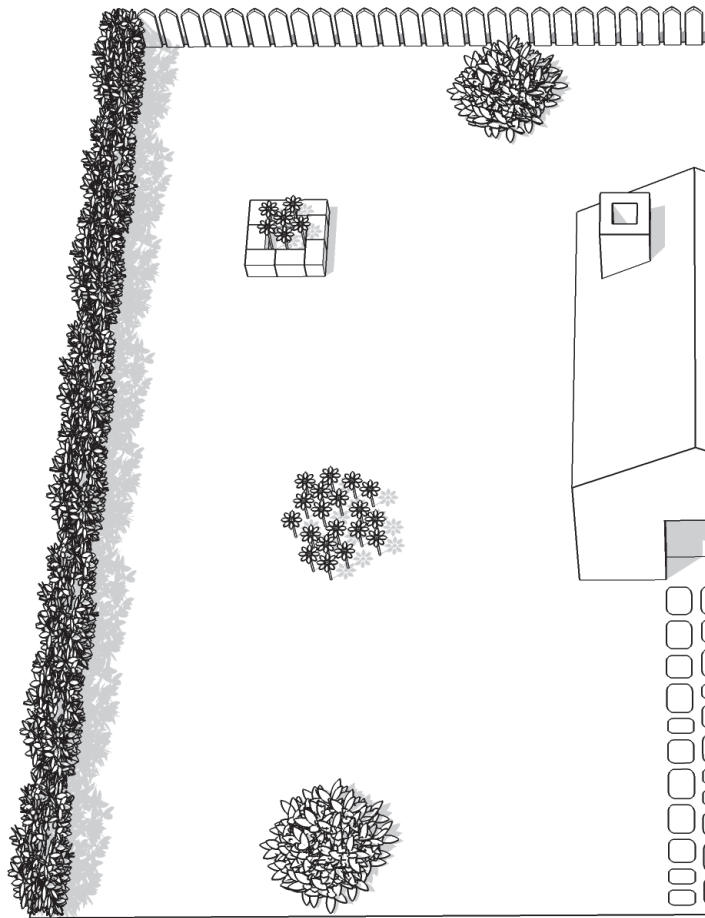


Indkørsler

Hvis din indkørsel er plan med græsplænen, og der ikke stikker noget op mellem dem, kan du Landroid®L køre over den uden problemer. Hvis du ønsker at Landroid®L skal undgå det. Så behøves der kun 10cm* afstand imellem græsekablet og plænen. Hvis indkørslen er grusbelagt, må din Landroid®L ikke køre over den, holdende en 45cm* afstand imellem græsekablet og plænen.

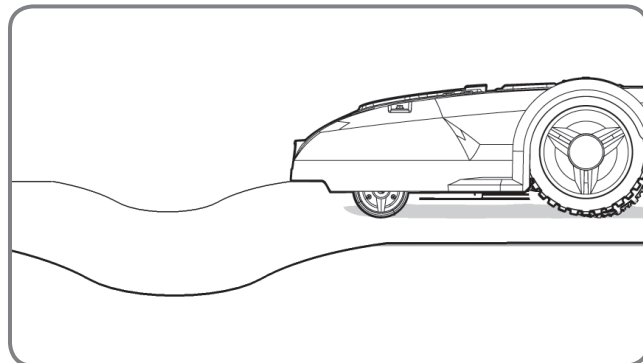
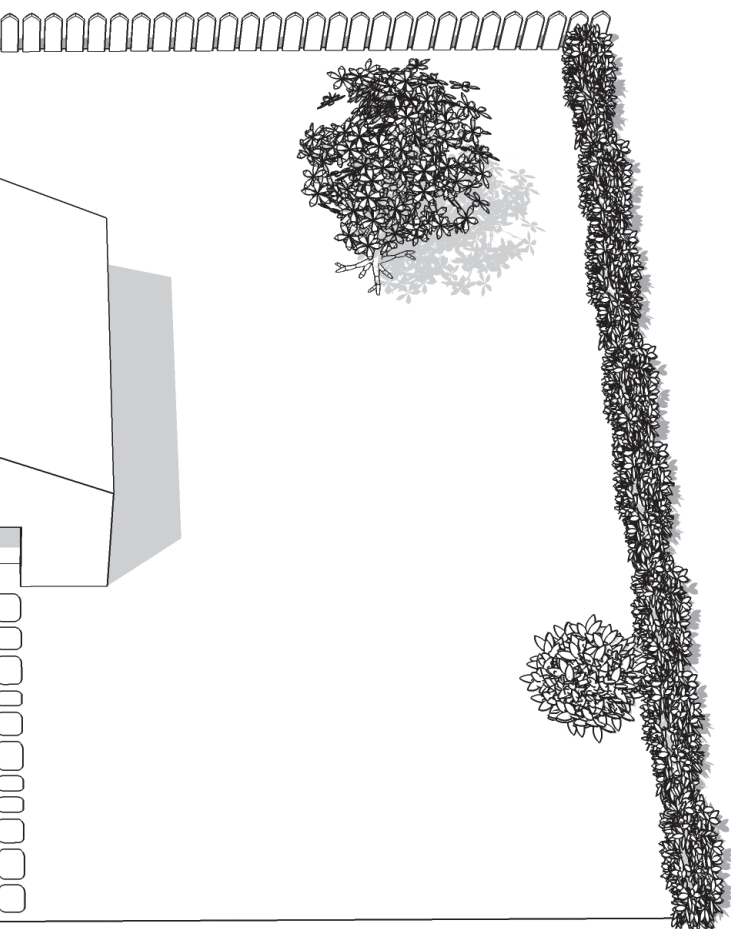
* Dette er den anbefalede afstand.

Brug afstandsmåleren, som følger med, så du sikre en ordentlig opsætning.



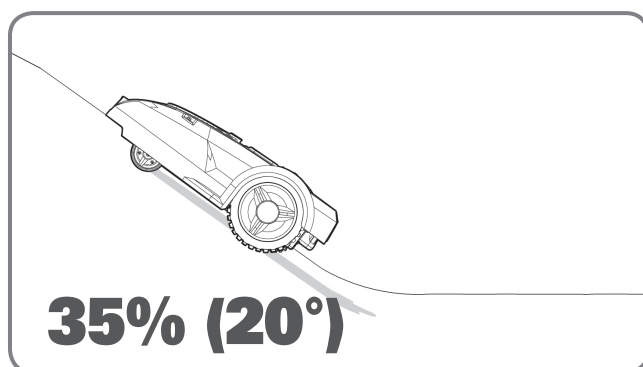
Blomsterbed, kær, swimmingpools...

Du vil nok helst ikke have, at din Landroid®L køre over din blomster eller køre i vandet. Så disse områder skal undgås.



Fordybninger og bump

Hvis der er større bump eller fordybninger, skal du vurdere om klingerne kan nå jorden. Hvis dette ikke er tilfældet, skal du enten udjævne overfladen eller udeluk området.



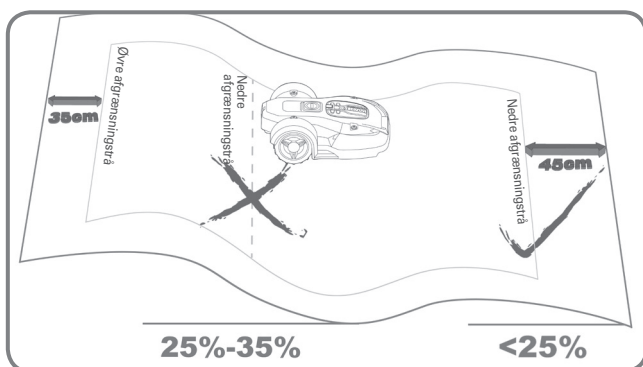
Bakker

Din Landroid®L er i stand til at køre op ad bakker op til 20°, så du skal blot undgå stejlere bakker end disse.



Træer

Men hvis træets rødder stikker op ad jorden, bedes du undgå disse områder, da du ikke ønsker at ødelægge rødderne.



Placering af afgrænsningstråd på skråninger

Den øvre afgrænsningstråd må IKKE placeres på skråninger, som er stejlere end 35% (20°). Den øvre afgrænsningstråd skal have en afstand på mindst 35cm til andre genstande. Den nedre afgrænsningstråd må IKKE placeres på skråninger, som er stejlere end 25% (15°).

Den nedre afgrænsningstråd skal have en afstand på mindst 45cm til andre genstande, når den placeres på en skråning på 25%.

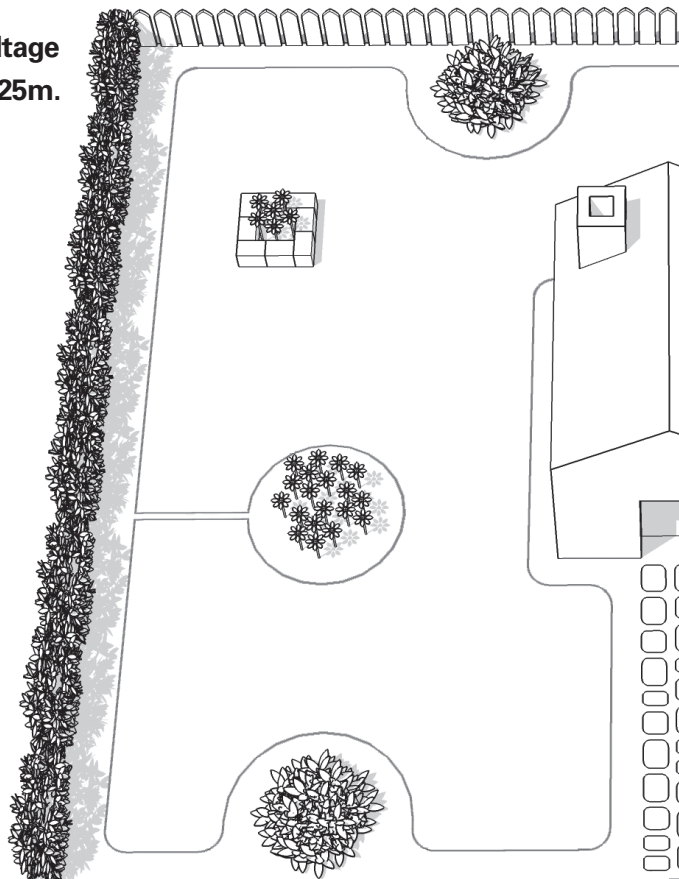
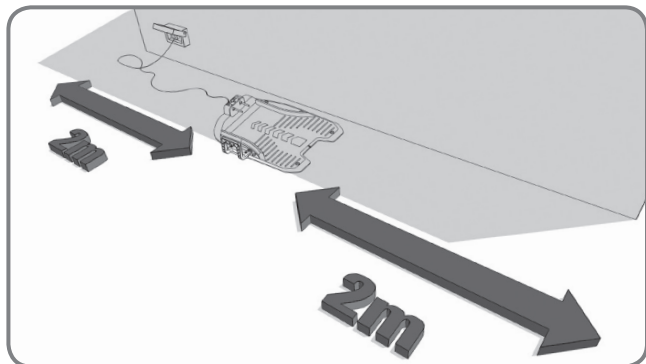
Afmærkning af græsområdet, som skal slås i din have

Din Landroid®L skal vide hvor den skal slå græsset. Det er derfor du skal afmærke dens arbejdsområde ved brug af grænsekablet, som laver et form for usynligt hegn. Dette kabel leder også din Landroid®L til dens opladestation. Hvis din nabo også bruger Landroid®L, skal du holde en afstand på mindst 2 meter mellem dit afgrænsningskabel og din nabos.

Vær venligst opmærksom på, at din Landroid®L ikke kan modtage signaler fra afgrænsningskablet, hvis afstanden er større end 25m.

Du skal først finde det bedste sted til opladestationen, og tag i betragtning hvor din nærmeste stikkontakt er. Opladestationen kommer med en 15m lang e-ledning.

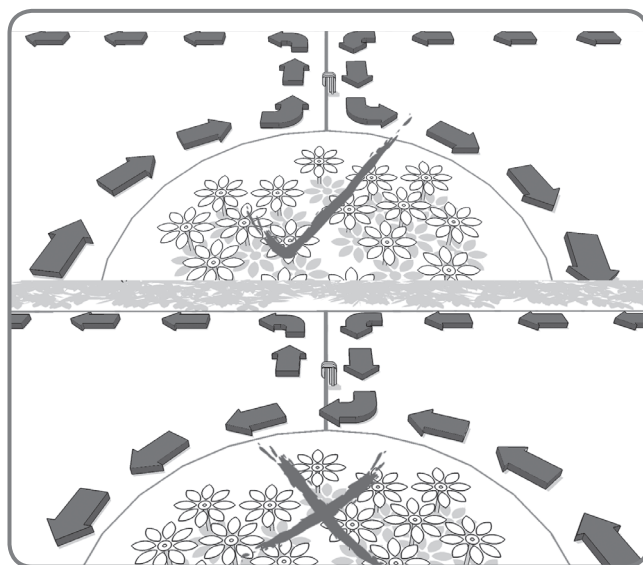
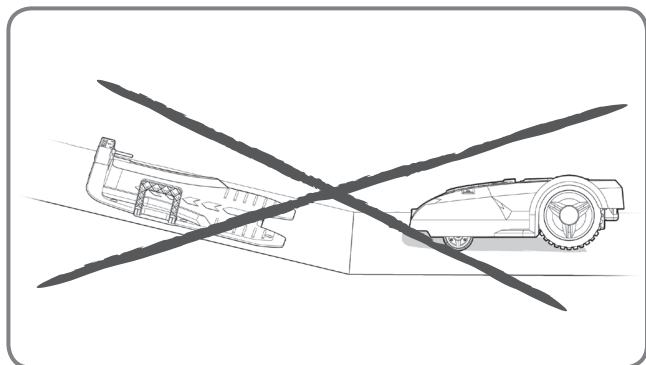
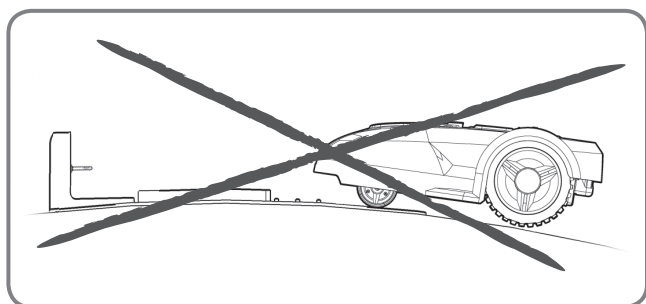
BEMÆRK: Forvis dig om at transformeren og det elektriske stik altid holdes på et tørt sted.



120

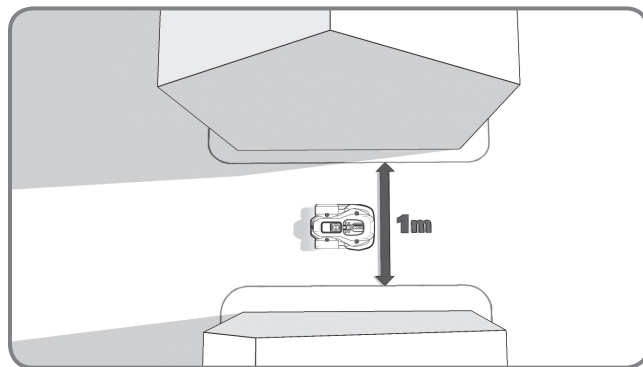
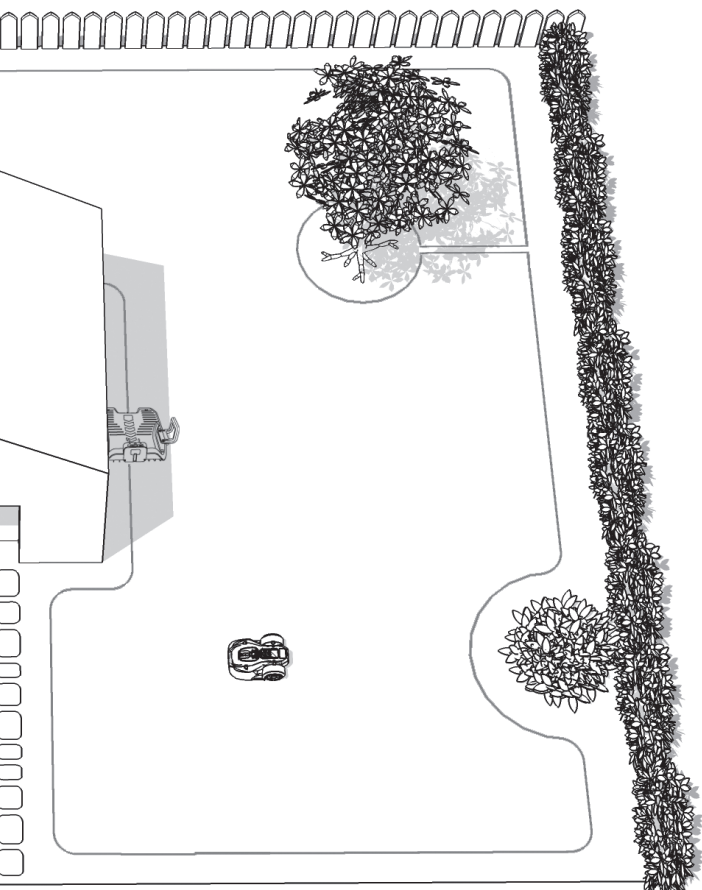
DK

Opladestationen skal være på en lige linje – sørg for, at der er mindst 2 meter til hver sin side. Hvis muligt, skal du stille opladestationen i skyggen – batterier oplades bedre, når de er på et køligt sted.

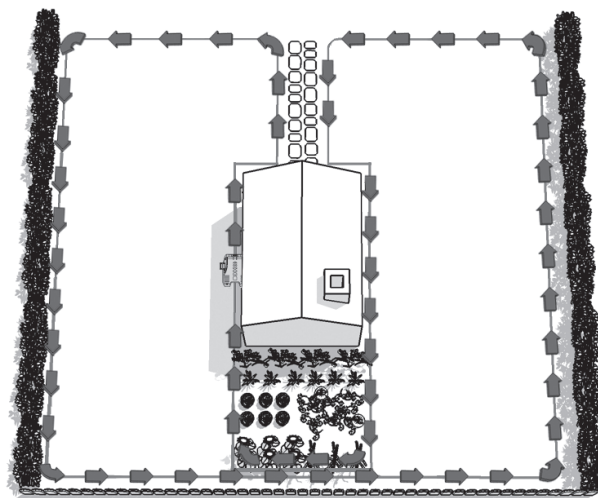


En ø er et område på midten af din græsplæne, hvor du ikke ønsker at din Landroid®L skal køre. Grænsekablet starter fra slågrænsen, og går lige til ø'en, rundt om den og tilbage til grænsen, som vist med pilene på billedet.

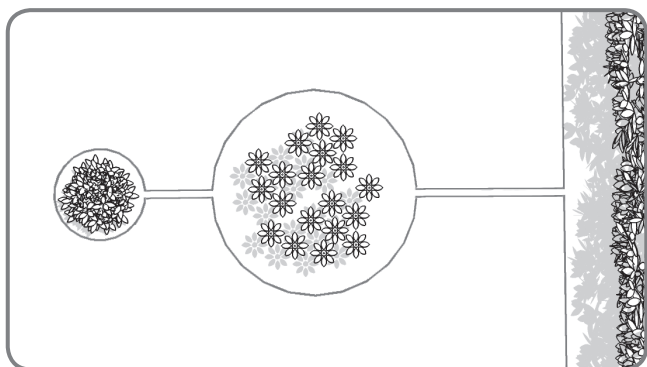
Sørg for, at det er på et plan område, og fri for forhindringer.



Hvis din græsplæne flere separate områder, som er forbundet med en gang, skal denne gang være mindst 1 meter bred.

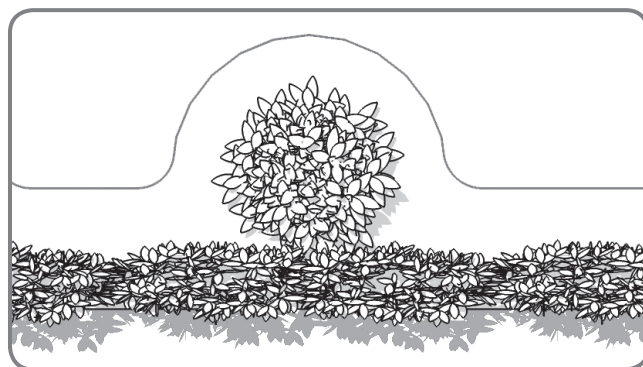


Hvis gangen ikke er bred nok, så bliver du nød til, at flytte din Landroid®L mellem græsplænerne. Din Landroid®L kan godt slå denne græsplæne, men du skal flytte den tilbage til opladestationen når batteriet er fladt.



Hvis ud har to øer, som ligger tæt på hinanden, anbefaler vi at du ligger kablet som vist nedenfor.

Din Landroid®L kan frit køre over grænsekablet mellem øerne og kanten.

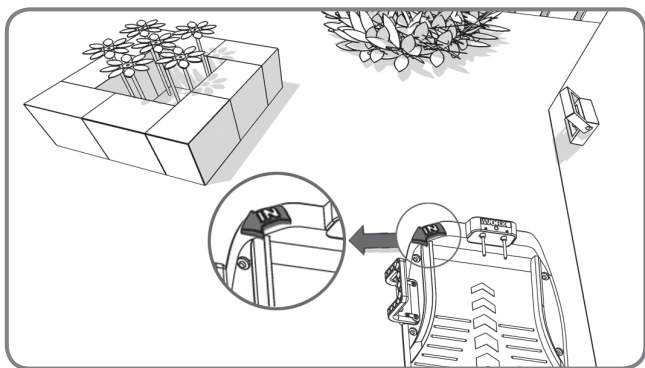


Et forbudt område, der er tæt på slå grænsen skal være en del af grænsen i sig selv, som vist på billedet.

Installation

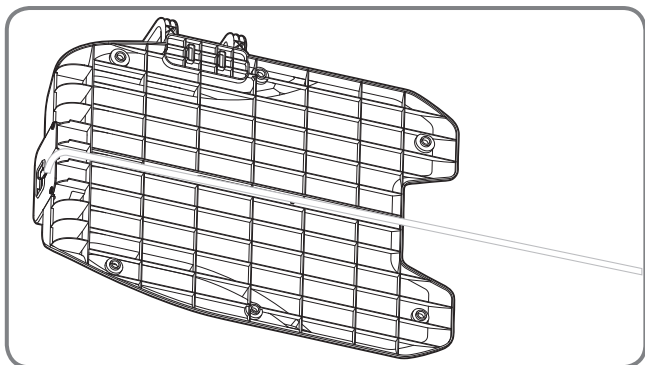
Sådan pløkkes grænsekablet til jorden

Vi anbefaler, at du først slår græsset der hvor kablet skal trækkes med en normal græsslåmaskine eller græstrimmer. Det sikrer, at kablet ligger så tæt på jorden som muligt, så din Landroid®L ikke kører over den og klipper den ved et uheld. Grænsekablet har en meget lav spænding gennem sig, som er sikker for mennesker og dyr.



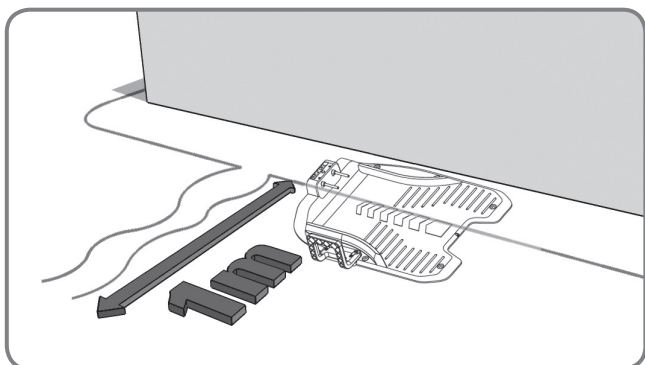
1

Stil opladestationen på det ønskede sted, men ud at fastgøre den permanent. "IN" pilen skal vende sådan, at den indikere indersiden af din plæne.



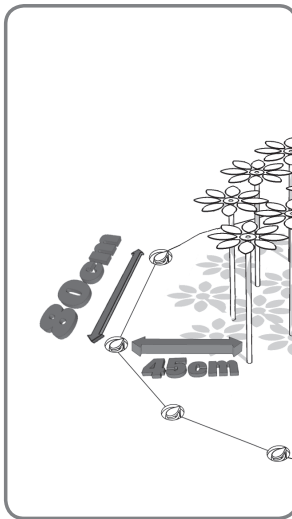
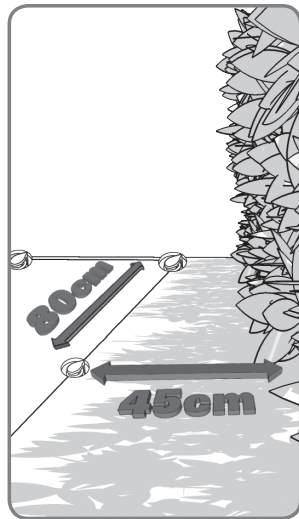
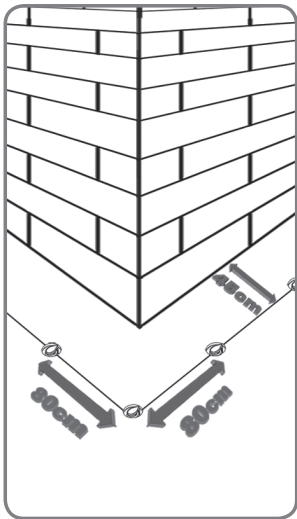
2

Før afgrænsningskablet igennem passagen under opladningssoklen.



3

Efterlad omkring 1 meters ekstra kabellængde, begynd fra enden af opladningssoklen og gør kablet fast langs med grænsen. Når du er færdig med at afgrænse området med kablet og har ført det tilbage til opladningssoklen, efterlad en ekstra meter kabel og skær det over.



4

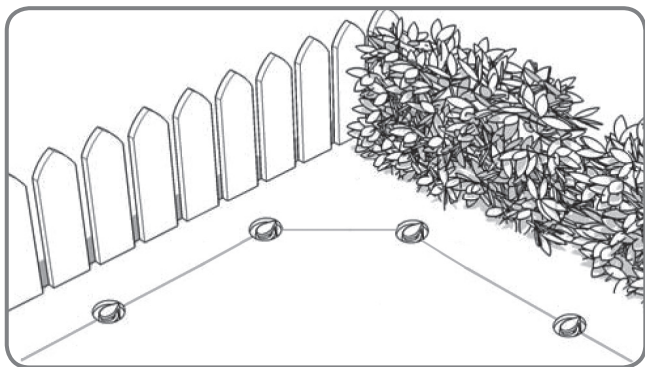
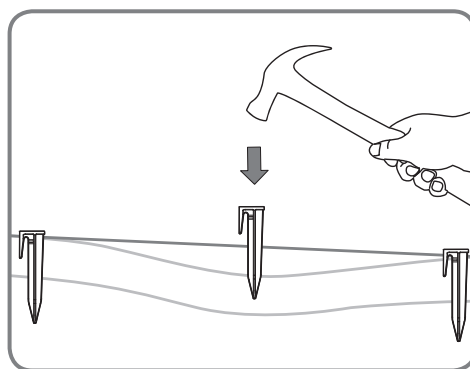
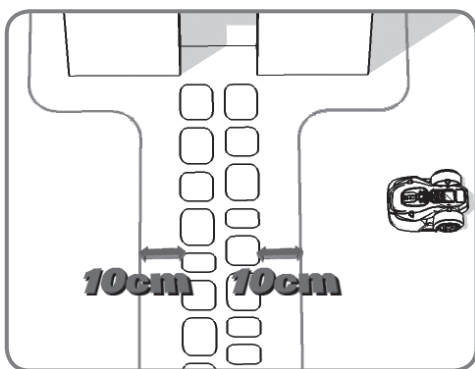
Når du trækker grænsekablet, skal du bruge afstandsmålerne til at holde 45cm* afstand mellem kablet og kanten. Men hvis der er en forhindring, som er plan med jorden og sikker for din Landroid®L at køre over, såsom en indkørsel eller et fortov, skal du kun holde en afstand på 10cm*.

Der skal være ca. 80cm mellem pløkkerne.

Slå pløkkerne i jorden med en hammer, men sørg for at kablet ikke klemmes for meget. Hold grænsekablet lige og udstrakt mellem pløkkerne. Kablet må ikke sidde løst nogen steder.

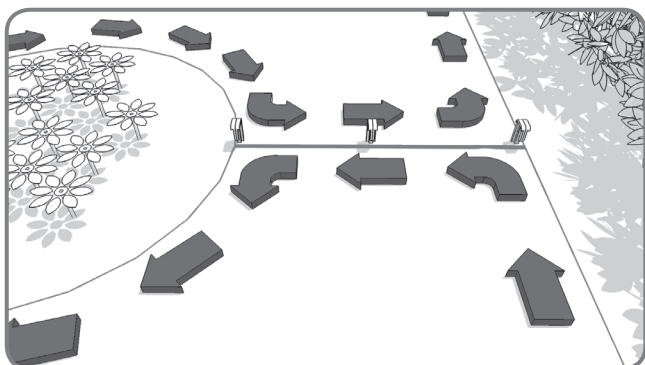
* Dette er den anbefalede afstand, da din Landroid®L ikke selv kan beregne afstanden.

Brug afstandsmåleren, som følger med, så du sikrer en ordentlig opsætning.



5

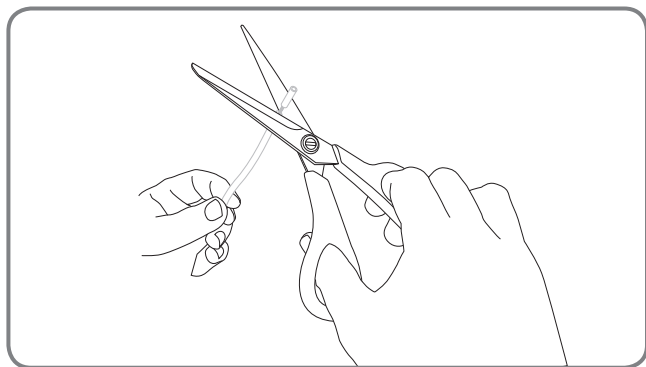
Sørg for afgrænsningskablet er fuldkommen lige i hvert hjørne.



6

Når den laves en ø med grænsekablet, følges stien som vist. Kablet skal løbe langs med omkredsen for at omkredse den definerede ø og derefter vende tilbage til omkredsen. Grænsekablet imellem ø'en og omkredsen skal lægges tæt sammen og hjælpe med at placere den samme grænsepæl. Under drift, vil Landroid®L være i stand til at passere frit over denne del af kablet.

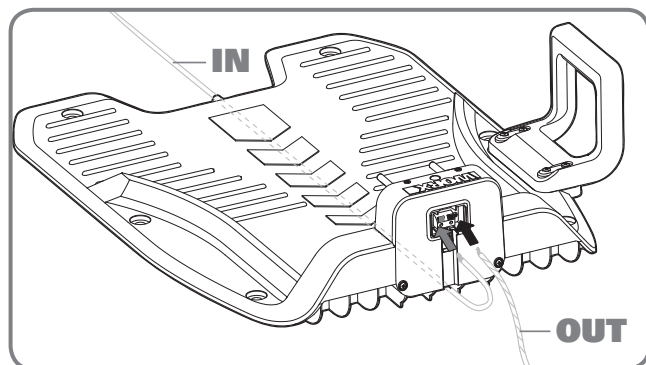
Tilslutning af stationen til grænsekablet



1

Klip enderne på kablet til en længde, så deres længde passer til klemmerne.

Klip beskyttelseselementet af enderne på kablet.



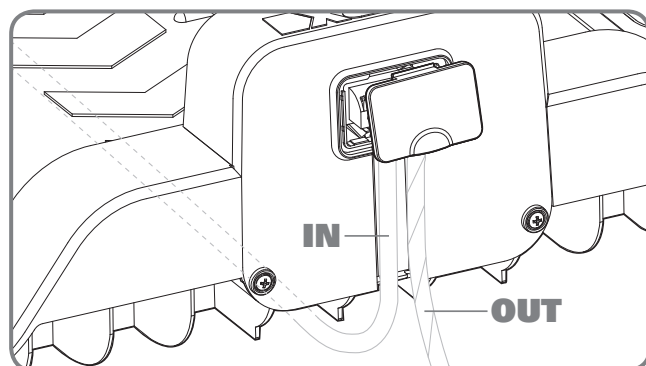
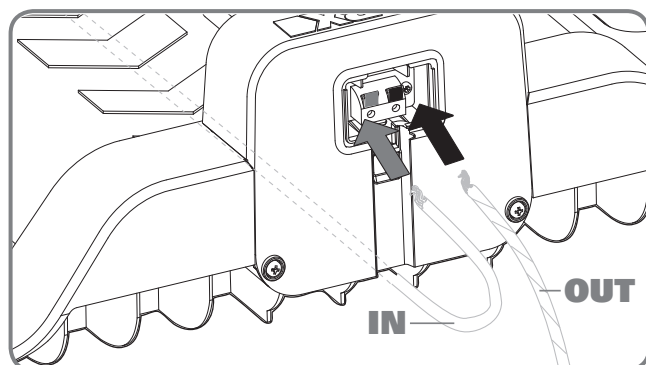
2

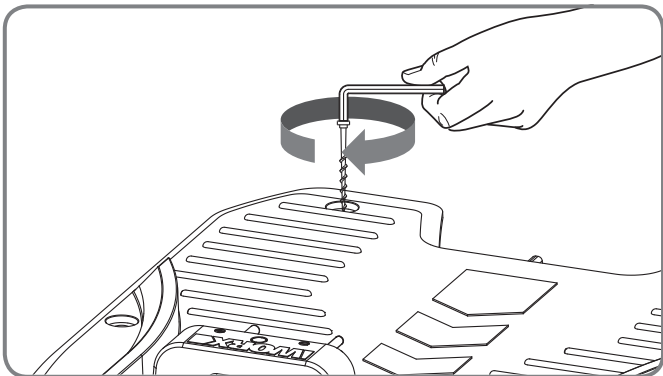
Når du forbinder kablet til opladestationen, er der en IN-kabel og en OUT-kabel, som vist på billedet. Forbind IN-kablet til den røde klemme på opladebasen, og OUT-kablet til den sorte klemme.

Luk herefter låget.

124

DK

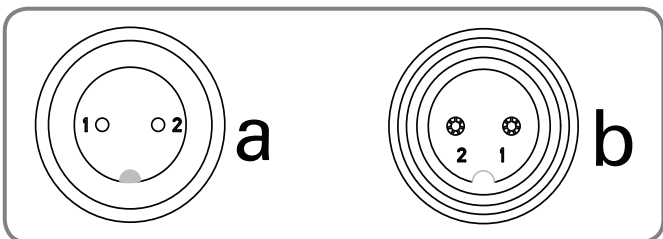




3

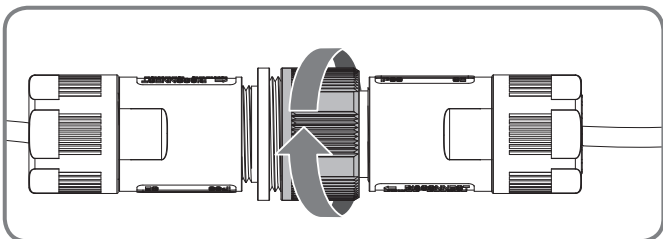
Du kan nu fastspænde opladestationen permanent til jorden, ved at spænde de medfølgende pløkker på med umbraconøglen.

BEMÆRK: Forvis dig om at IN-kablet løber lige under centeret af opladebasen.



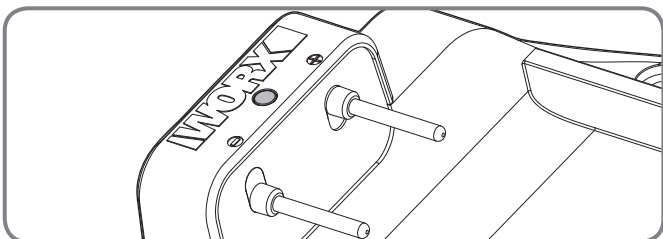
4

Slut el-ledningen til transformeren, og herefter til stikkontakten, hvorefter skærmen på opladestationen tænder. Hvis LED er slukket, referer venligst til fejlfindingsguiden. Når du tilslutter, skal hakket på el-stikket (a) være på linje med rillen på transformerstikket (b).



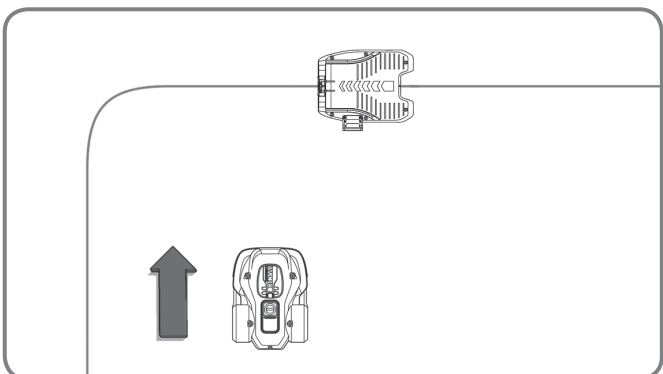
Sørg for, at du kun skruer på de fremhævede dele på stikket. Hvis den grønne lampe ikke lyser, skal du kontrollere strømledningen og forbindelserne.

Hvis el-ledningen er inden for arbejdsområdet, kan du også grave den ned, hvis nødvendigt.



Opstart og afprøvning


Nu kommer den spændende del, hvor du for første gang kan tænde for din Landroid®L.

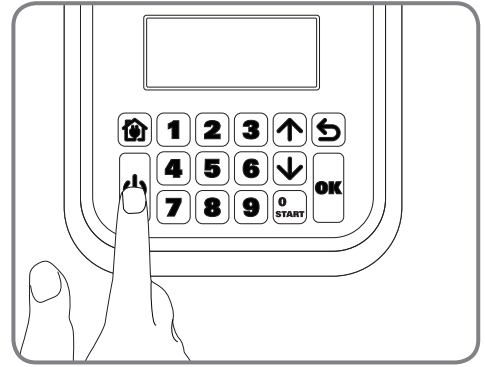
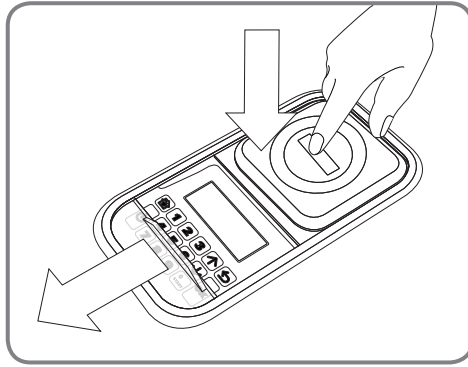



1

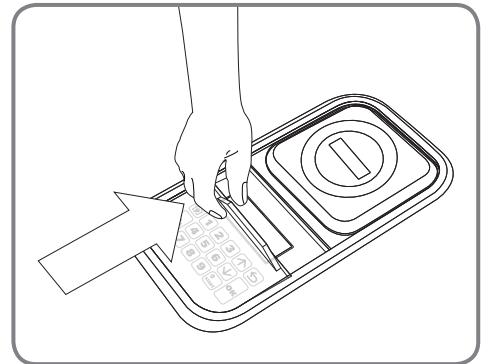
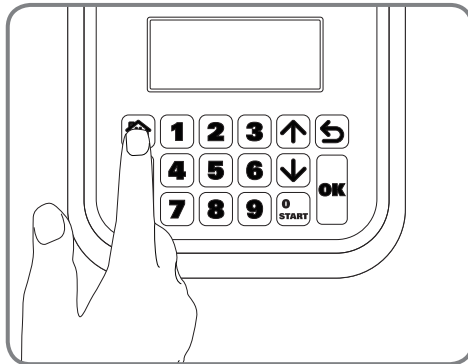
Stil din Landroid®L inde i arbejdsområdet, et par meter væk fra opladestationens bagside.

2

Åbn tastatur-vinduet
Ved at trykke på den store røde knap oven på din Landroid®L.
Hold tænd/sluk  knappen nede indtil din Landroid®L tænder.
Indtast standardindstillet PIN 0000.



Tryk på  tasten og luk tastatur-vinduet:
Din Landroid®L vil nu finde dens vej til opladestationen.
Se efter Landroid®L, når den vender tilbage til opladestationen og modificerer positionen til grænsekablet hvis nødvendigt. Når Landroid®L vender succesfuldt tilbage til opladestationen, betyder dette at installationen er blevet udført med succes. Nu vil din Landroid®L starte med at oplade fuldstændigt.




126

DK

BEMÆRK: Hvis din Landroid®L er i opladestationen på det tidspunkt, som du har indstillet den til at slå græs, skal du blot trykke på ADGANG knappen, og lukke tastatur-vinduet, hvorefter den går i gang med at slå græsset.



Warning

- Hvis din Landroid®L er udenfor dens område, vil den stå stille og der står "**udenfor klippeområde**" på skærmen. Du skal blot flytte den til klippeområdet, og gentag trin 2.
- Hvis din Landroid®L er indenfor dens territorium, men displayet viser "**uden for klippeområdet**" og LED er tændt betyder det at du har klampet grænsekablet til at slutte ukorrekt. Du skal bytte om på enderne..
- Du Landroid®L skal altid være tændt. Hvis du får brug for at slukke for den, skal du sørge for at den er indenfor klippeområdet, når du tænder den igen.
- Hvis din Landroid®L pludselig holder op med, at virke, skal du blot trykke på ADGANG knappen, åbn tastatur-vinduet, stil tænd/sluk knappen på ON (tændt), ret problemet, tryk på  knappen og luk tastatur-vinduet igen.

BEMÆRK: Se venligst **Programmering og Fejlfinding** for yderligere oplysninger.

Programmering

Nu du har afsluttet installationen, er det nu tid til at programmere Landroid®L, når du ønsker at den skal begynde at arbejde, ved at bruge tastaturskærmen vist herunder. Referer venligst til Programmerings- og Fejlfindingsguiden, der følger med i pakken.

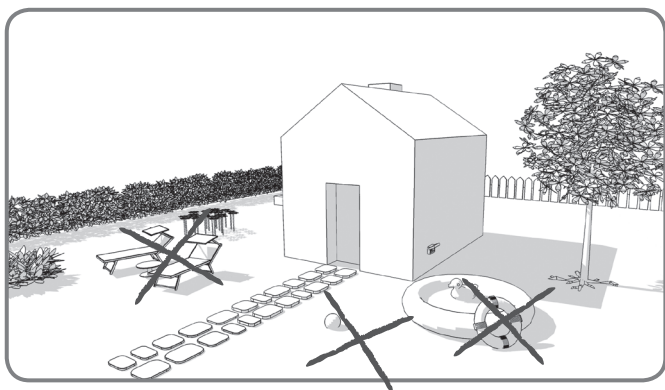


Klar til at gå i gang?

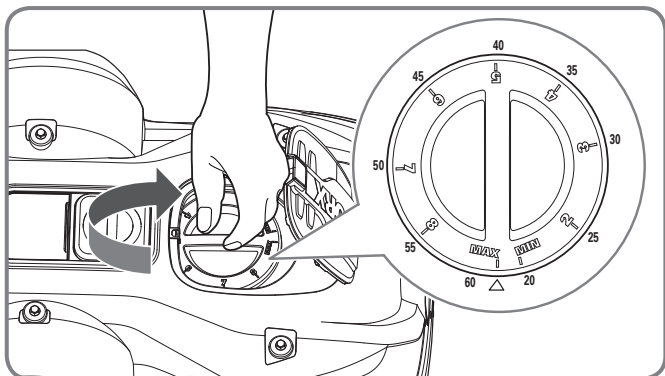
Din Landroid®L er beregnet til, at vedligeholde længden på din græsplæne over sommeren, og den er ikke beregnet til at nedlægge en hel jungle.

Før du starter den for første gang,

1. Skal du først slå græsset til den ønskede højde.
2. Skal du sørge for, at græsplænen er fri for genstande, såsom legetøj og tykke grene...



3. Stil klippehøjden på den maksimale højde, når din Landroid®L først skal klippe græsset, og stil herefter højden efter eget ønske.



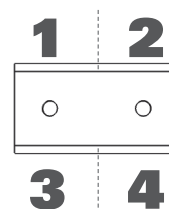
Og foråret efter kan du sætte din Landroid®L i gang tidligt på året, når græsset stadig er kort, så du ikke selv skal slå græsset igen.

Hold den skarp



Brug altid sikkerhedshandsker, når du skal justere klingerne.

Hver klinge på din Landroid®L har 4 skærekanter. Klingerne skal af og til vendes om, så de andre skærekanter også bruges, afhængig af hvor meget du bruger din Landroid®L. Hvis din Landroid®L er programmeret til, at slå græsset hver dag, skal du vende klingerne om hver måned, så du opnår det bedste resultat. Hver klinge vil holde i op til 4 måneder, hvis din Landroid®L slår græsset hver dag. Når klingerne er døde og nedslidte, skal de skiftes med de nye klinger, som følger med din Landroid®L. Du kan også købe ekstra klinger hos din lokale WORX forhandler.



Vedligeholdelse

Din Landroid®L er fremstillet og bygget til, at blive udendørs, uanset vejrforholdene. Du skal blot rengøre overfladen fra græs, hvorefter din Landroid®L slår græsset for dig, sæson efter sæson, år efter år. Maskinen må ikke vaskes med et højtryksanlæg. Dette kan forårsage skader på batteriet eller maskinen.

Om vinteren

Så selvom det er hårdt, så anbefaler vi at du gemmer din Landroid®L i dit skur eller garage vinteren over. Lad din Landroid®L helt op før du gemmer den væk, så batteriet ikke ødelægges. Træk stikket til opladestationen ud. Et godt tip til, at forlænge batterilivet, er at genoplade det en gang i mellem over vinteren. En fuld opladning hver 3. måned vil være fint. Vi anbefaler også, at du tildækker opladestationen med et nylonstykke vinteren over.

128

DK

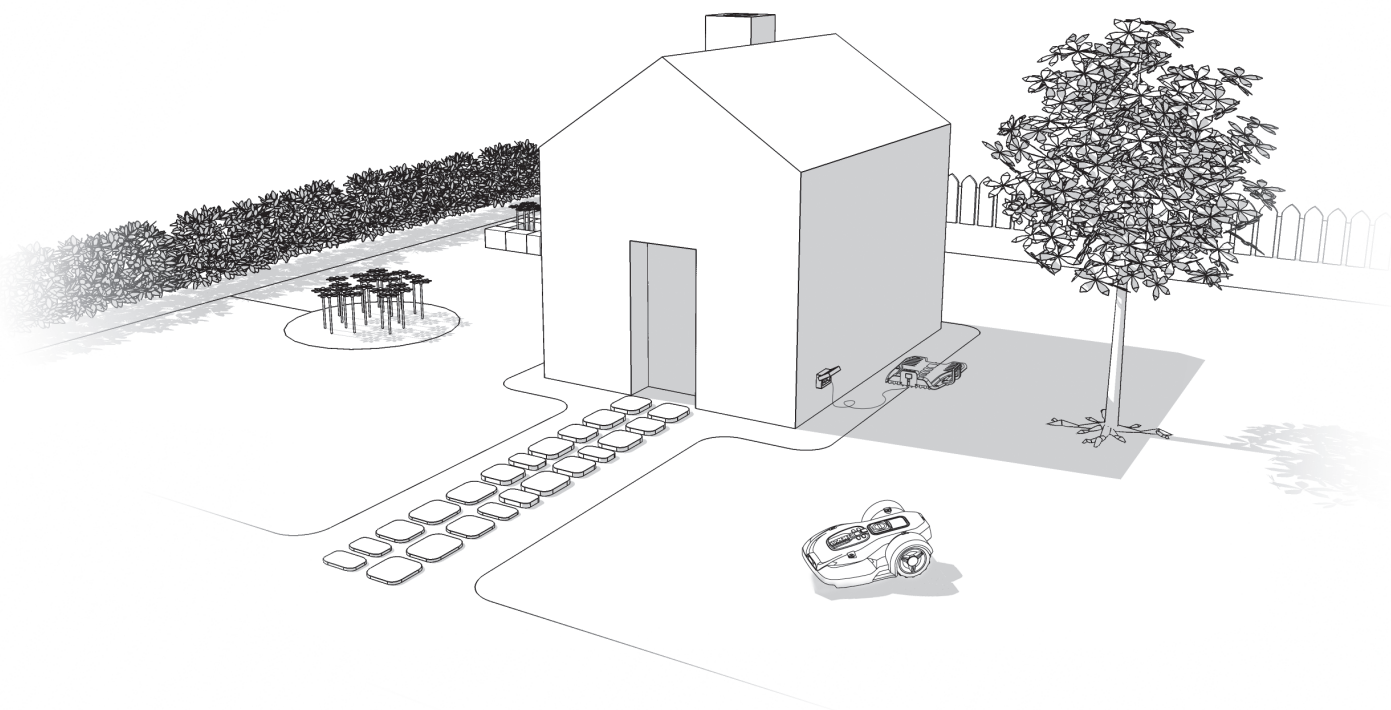
Sikkerhed

Din Landroid®L er sikker for mennesker og dyr. Der er først og fremmest langt fra kanten af maskinen til klingerne. Plus, tilt-sensorerne vil automatisk stoppe klingerne, hvis enheden løftes op.

Sikkerhed

Din Landroid®L er beskyttet med en PIN-kode. PIN-koden forhindre uautoriserede personer i at bruge enheden. Hvis enheden flyttes udenfor dens område, vil den ikke kunne startes igen af nogen som helst, hvis de ikke kender PIN-koden. Dette betyder også, at du ikke vil være i stand til at starte din Landroid®L, hvis du glemmer din PIN-kode! Vi anbefaler stærkt, at du skriver din PIN-kode ned, så du senere kan finde den. Eller du kan registrere din Landroid®L online på www.worxlandroid.com, og gemme din PIN-kode der. Herefter vil du altid kunne se din PIN-kode online.

Skriv din PIN-kode her



W jaki sposób zainstalować robota do koszenia trawy Landroid®L

130

PL

Instalacja robota do koszenia trawy Landroid®L jest łatwa. W zależności od wielkości ogrodu cały proces zajmuje niewiele czasu. Jeśli jesteś taki jak my, nie lubisz tracić swojego cennego czasu na koszenie trawy. Robot Landroid®L okaże się być Twoją najlepszą inwestycją, eliminując potrzebę koszenia trawy raz na zawsze.

Film demonstracyjny z instalacji można zobaczyć na stronie www.worxlandroid.com.

Robot Landroid®L uwielbia kosić trawę

Jest przeznaczony do częstego koszenia, zapewniając zdrowszy i lepiej wyglądający trawnik niż kiedykolwiek wcześniej. W zależności od wielkości trawnika, robota Landroid®L można zaprogramować tak, aby pracował o dowolnej godzinie lub z dowolną częstotliwością bez ograniczeń. Robot jest tutaj, by pracować za Ciebie.

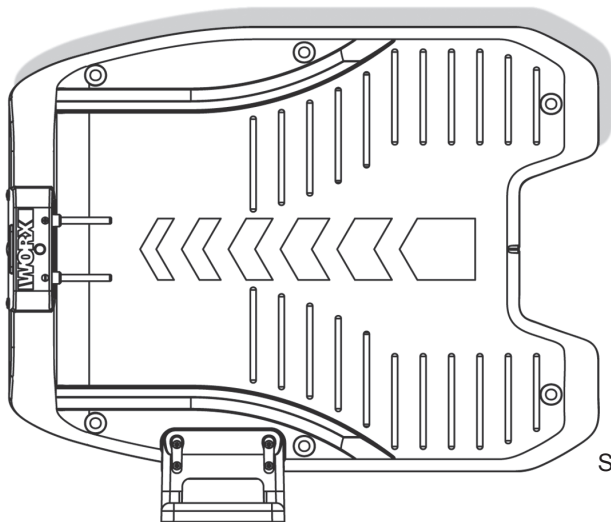
Koszty operacyjne

Boisz się o swój rachunek za prąd? Policzmy: jeśli robot Landroid®L będzie pracował 3 godziny dziennie, 5 dni w tygodniu, 25 tygodni w roku, koszt elektryczności wynikający z użytkowania robota Landroid®L wyniesie ok. 4 £*. Tak, tylko 4 £ rocznie. To ułamek kwoty, którą należałoby wydać na benzynę do głośnej, zanieczyszczającej powietrze kosiarki spalinowej.

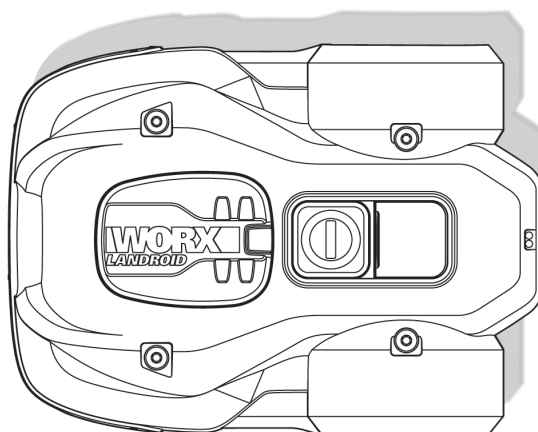
* Źródło: www.energy.eu

Przygotowanie

W pudełku



Stacja ładowania



Landroid®L



Szpilki mocujące bazę



Zapasowe ostrza



Szpula przewodu granicznego



Szpilki mocujące przewodu granicznego



Kabel zasilający z zasilaczem (przełącznik m prądu zmiennego na prąd stały)



Instrukcja obsługi



Instrukcja instalacji

Miernik odległości



Klucz sześciokątny



Instrukcja programowania i rozwiązywania problemów



Gwarancja

Z Twojej szopy



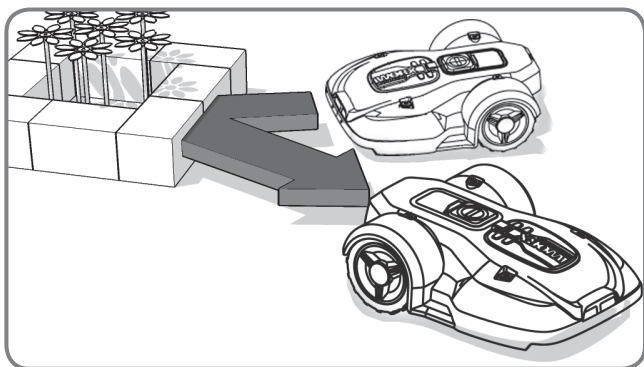
Nożyczki



Młotek

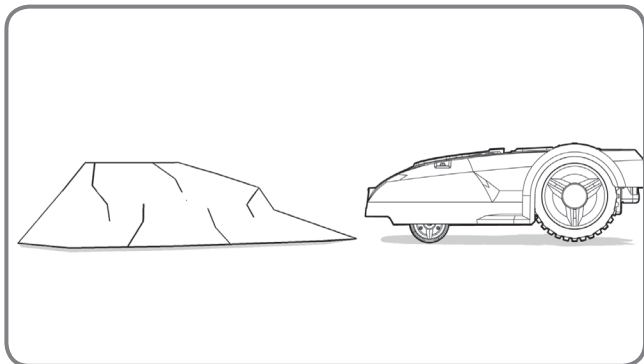
Nowy dom robota Landroid®L- Twój ogród

Zacznijmy od przyjrzenia się bliżej nowemu domowi robota Landroid®L – Twojemu trawnikowi – wyznaczając zarówno bezpieczne obszary dla robota Landroid®, jak i te, których powinien unikać.



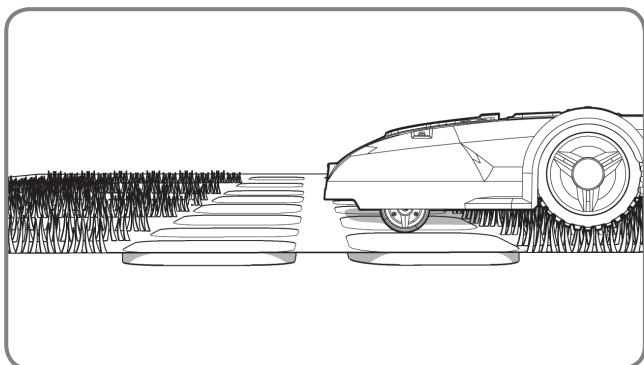
Przeszkody, w które może uderzyć

Jeśli robot Landroid®L uderzy w jakąkolwiek twardą, stabilną przeszkodę wyższą niż 15cm, np. ścianę lub ogrodzenie, po prostu zatrzyma się i zawróci od przeszkody.



Kamienie

Kamienie, które są zbyt ciężkie, żeby robot Landroid®L mógł je przesunąć, mogą być bezpiecznie uderzone przez robota. Jednakże, jeśli jakikolwiek kamień ma nachyloną powierzchnię, na którą może wjechać robot Landroid®, należy usunąć taki kamień lub wykluczyć go z obszaru roboczego robota.

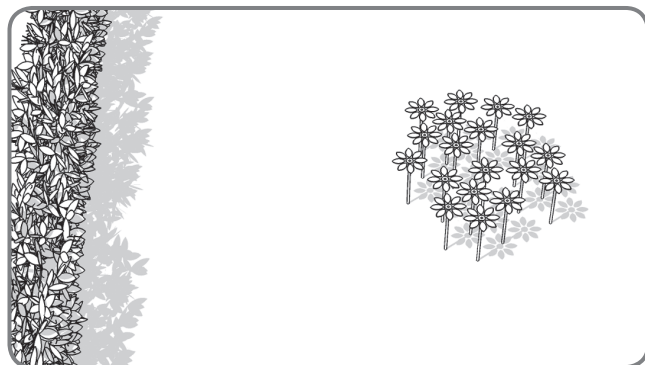
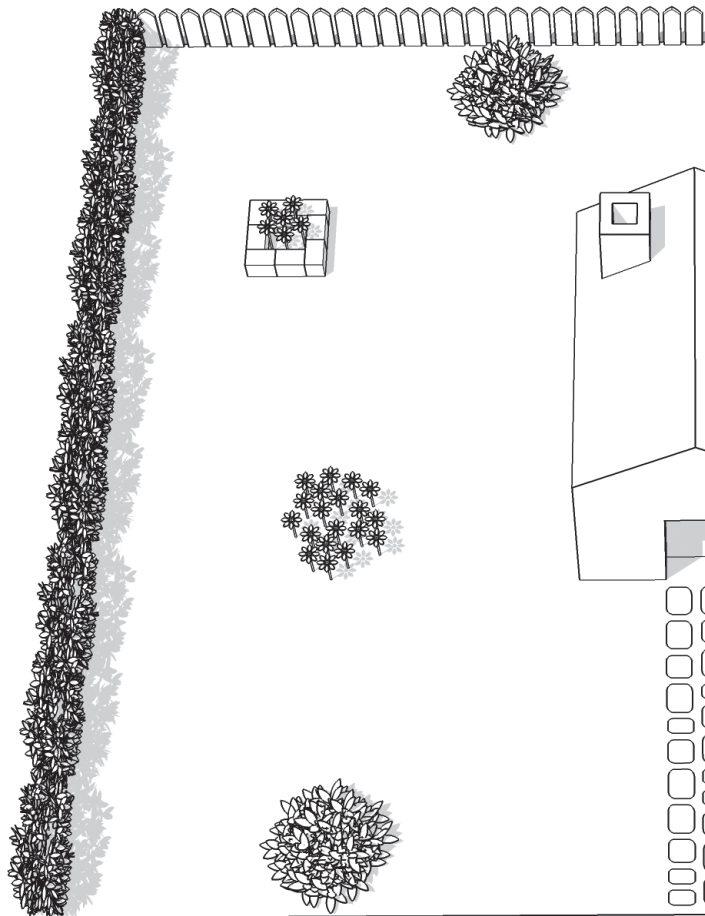


Podjazdy

Jeśli podjazd znajduje się na tym samym poziomie, co trawnik, bez wystającej powierzchni, robot Landroid®L może bezpiecznie po nim przejechać. Jeśli chcesz, aby robot Landroid®L unikał podjazdu, wystarczy zaledwie 10cm* przestrzeni między przewodem granicznym a podjazdem.

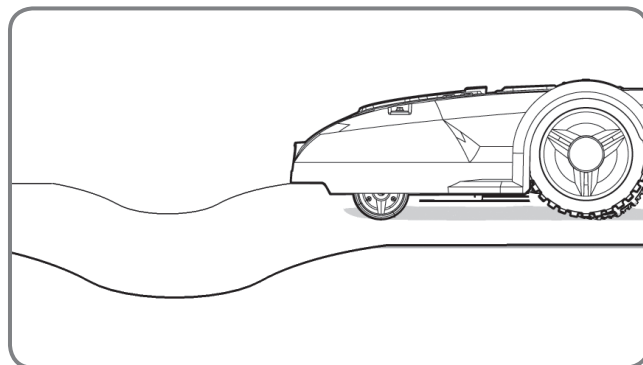
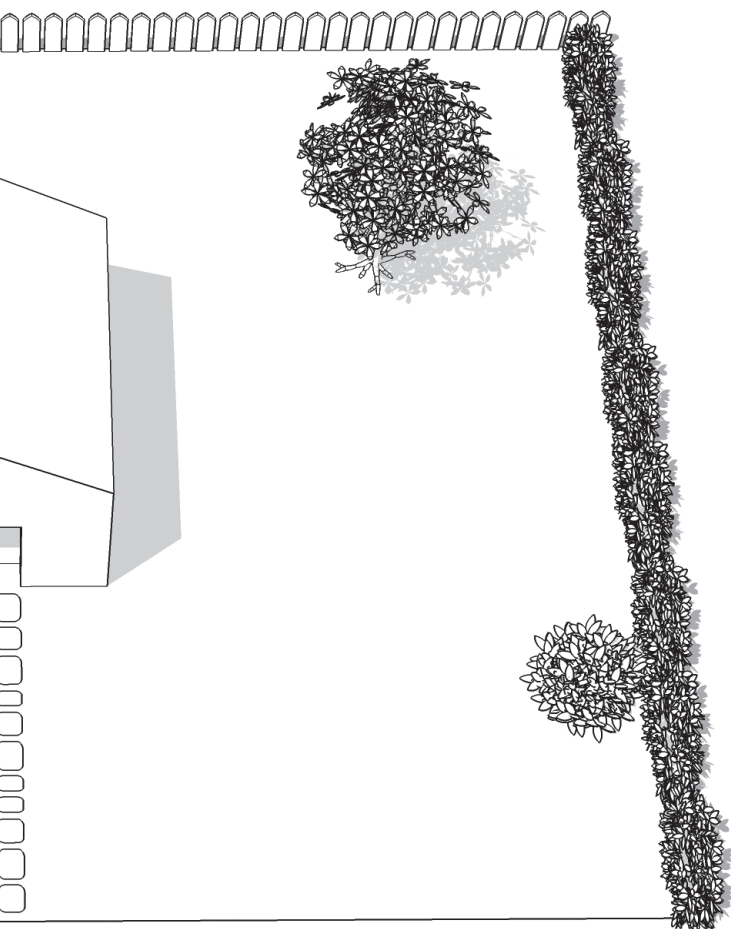
Jeśli podjazd jest pokryty żwirem, robot Landroid®L nie powinien się po nim poruszać. W tym przypadku należy zastosować miernik odległości w celu wyznaczenia odstępu 45cm* między przewodem granicznym a podjazdem.

* To zalecana odległość. Należy użyć załączonego miernika odległości w celu zapewnienia prawidłowej instalacji.



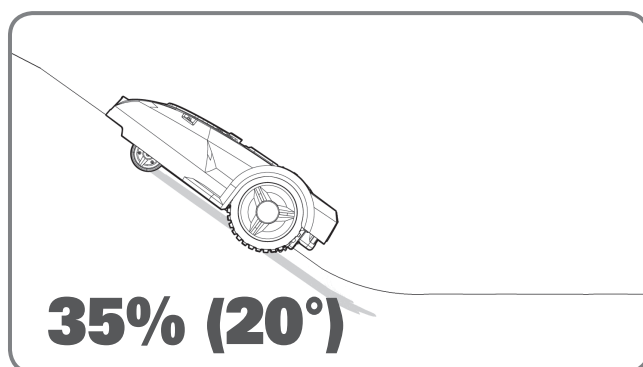
Klomby, sadzawki, baseny...

Z pewnością nie chcesz, aby robot Landroid®L skosił Twoje kwiaty lub wpadł do wody. Należy unikać takich obszarów.



Zagłębienia i wyboje

W przypadku dużych wybojów lub obniżen terenu należy sprawdzić, czy ostrza mogą dotknąć ziemi; jeśli tak, wówczas należy wygładzić ziemię w takich miejscach lub wykluczyć je z obszaru pracy robota Landroid®L.



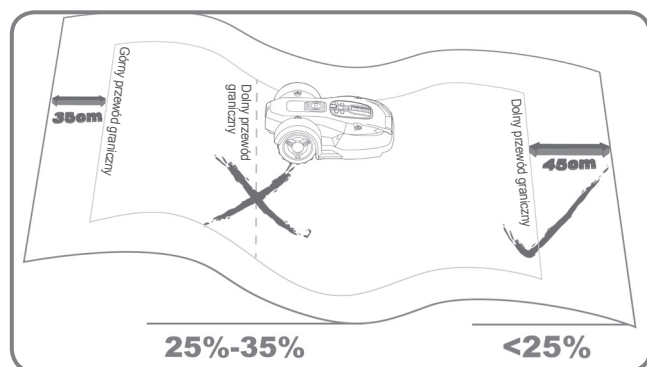
Pochyłości

Robot Landroid®L może bezpiecznie wjeżdżać na pochyłości o kącie nachylenia do 35%(20°), więc wystarczy unikać bardziej stromych pochyłości.



Drzewa

Jeśli z ziemi wystają korzenie, należy unikać takiego obszaru, aby ich nie uszkodzić.



Rozmieszczenie przewodu granicznego na pochyłościach

Górnego przewodu granicznego NIE należy umieszczać na pochyłościach o kącie nachylenia powyżej 35%(20°). Górny przewód graniczny powinien znajdować się w odległości co najmniej 35cm od jakichkolwiek przeszkód. Dolnego przewodu granicznego NIE należy umieszczać na pochyłościach o kącie nachylenia powyżej 25%(15°). Dolny przewód graniczny powinien znajdować się w odległości co najmniej 45cm od jakichkolwiek przeszkód, jeśli znajduje się na pochyłości nachylonej pod kątem 25%.

Wyznaczanie terenu pracy robota Landroid®L w swoim ogrodzie

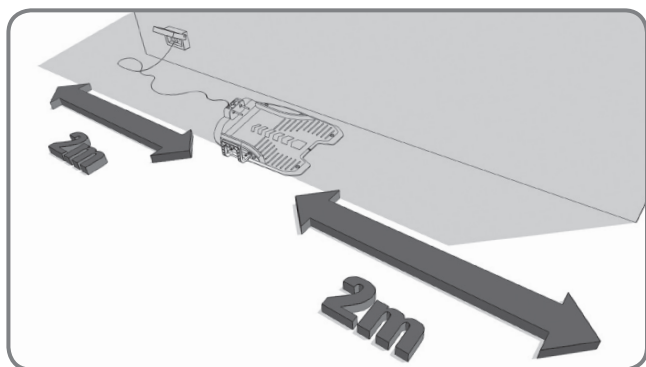
Robot Landroid®L musi wiedzieć, gdzie kosić. Dlatego należy wyznaczyć jego obszar roboczy przy użyciu przewodu granicznego, który stworzy niewidzialne ogrodzenie. Przewód wskaże również robotowi Landroid®L drogę do stacji ładowania.

Jeśli sąsiad również korzysta z robota Landroid®L, należy zachować co najmniej 2 metry odstępu między swoim przewodem granicznym, a przewodem sąsiada.

Należy pamiętać, iż robot Landroid®L nie będzie w stanie odebrać sygnału z przewodu granicznego z odległości większej niż 25m.

W pierwszej kolejności należy wybrać najlepsze miejsce dla stacji ładowania, biorąc pod uwagę lokalizację najbliższego gniazdka elektrycznego. Stacja ładowania jest wyposażona w 15-metrowy przewód zasilania.

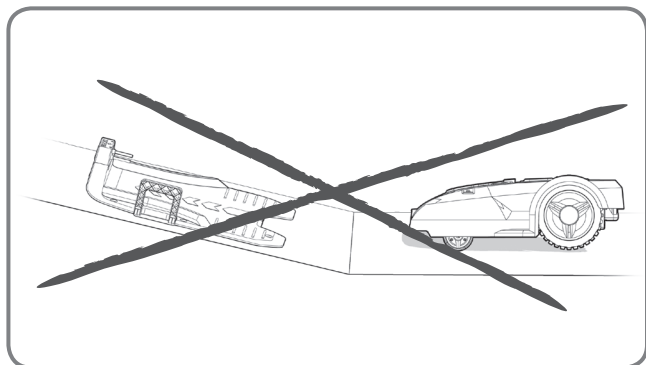
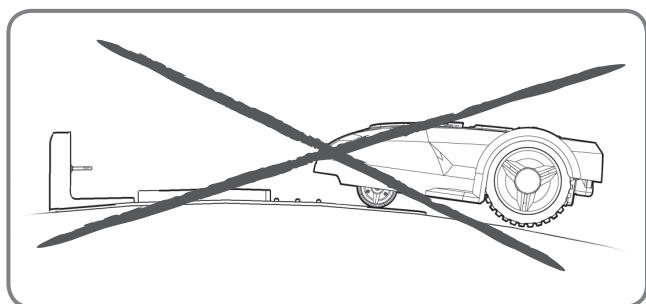
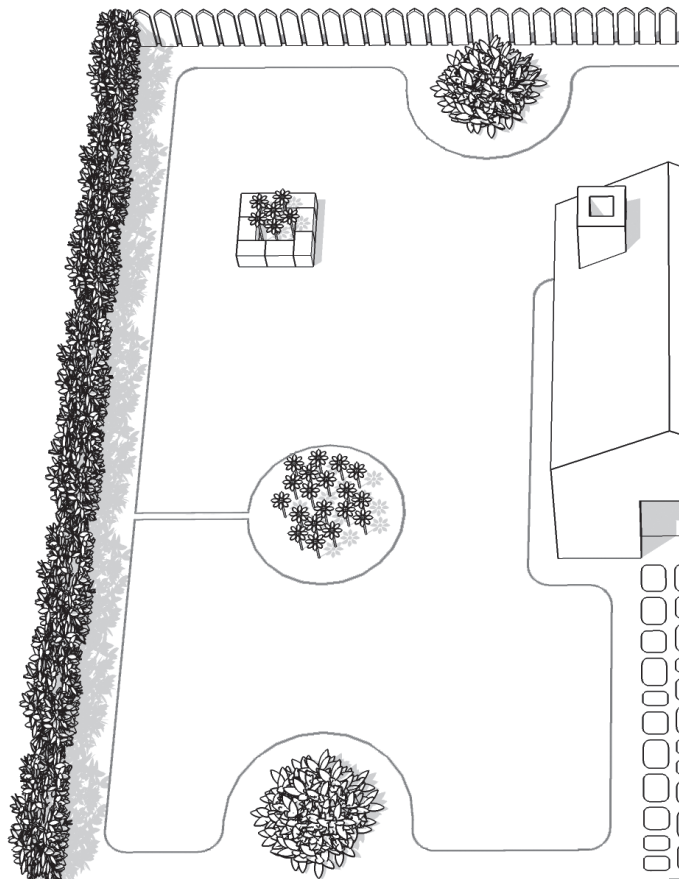
UWAGA: Należy dopilnować, aby miejsce, w którym znajduje się zasilacz i gniazdko elektryczne, było zawsze suche.



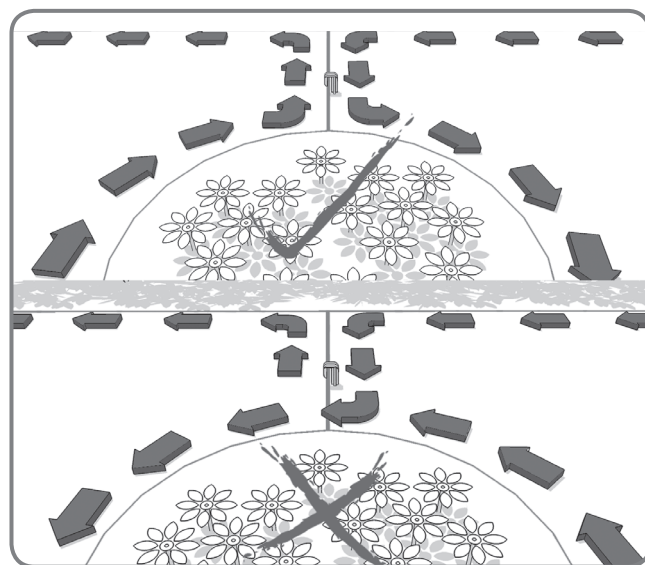
134

PL

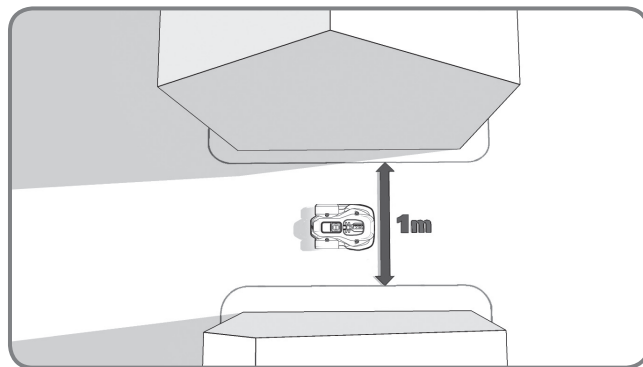
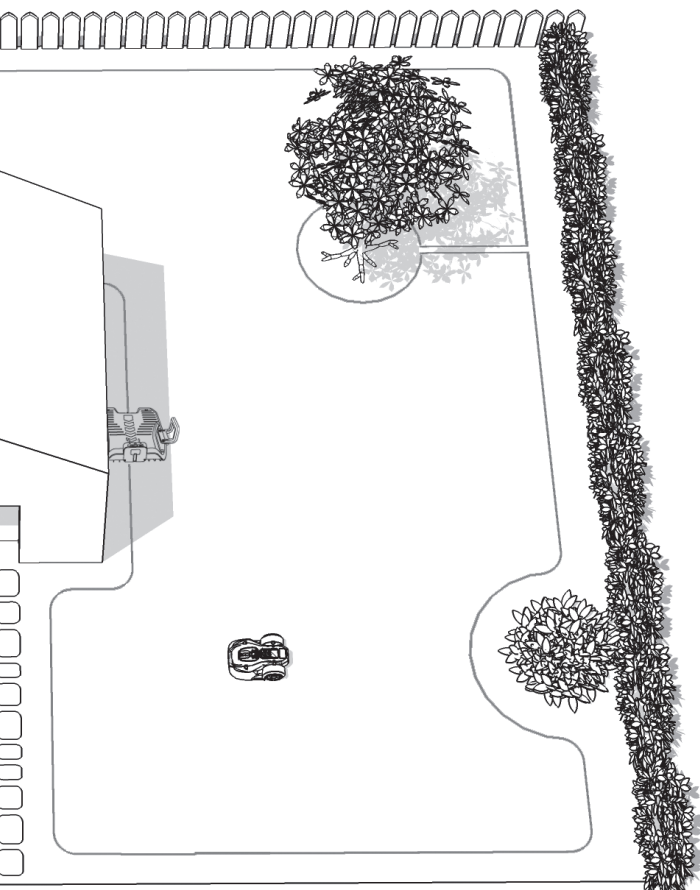
W razie możliwości należy umieścić stację ładowania w cieniu – ładowanie akumulatorów jest skuteczniejsze, jeśli znajdują się one w chłodnym miejscu.



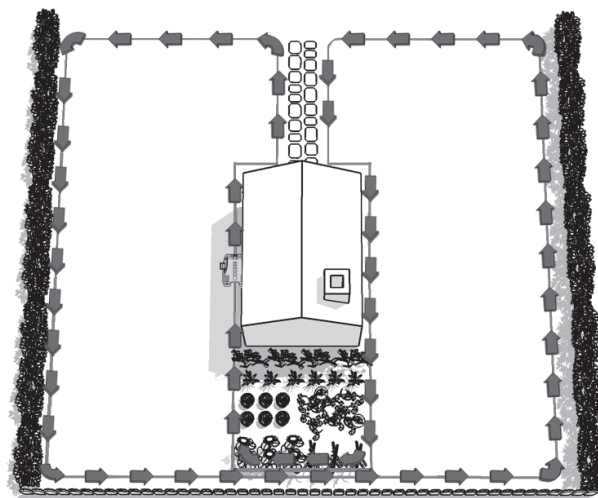
Należy upewnić się, że znajduje się ona na płaskim terenie, z dala od jakichkolwiek przeszkód.



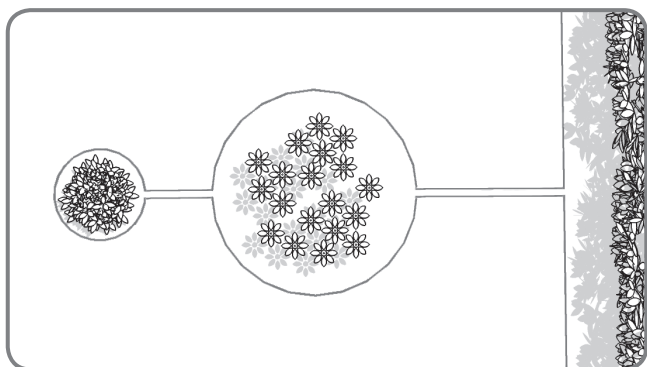
Wysepka jest obszarem znajdującym się na trawniku, gdzie robot Landroid®L nie powinien pracować. Przewód graniczny biegnie od granicy obszaru koszenia, przechodzi wprost do wysepki, wokół niej i z powrotem do granicy obszaru koszenia, zgodnie ze strzałkami na rysunku.



Jeśli na trawniku znajduje się 2 lub więcej oddzielnych obszarów połączonych ze sobą zwężeniem, zwężenia te powinny mieć szerokość co najmniej 1 metra.

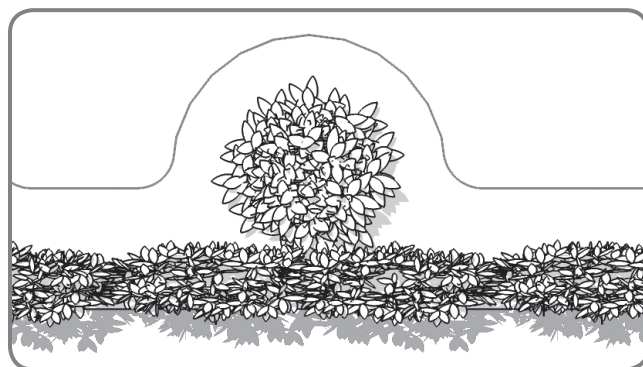


Jeśli trawniki nie są połączone wystarczająco szerokim zwężeniem, konieczne będzie ręczne przeniesienie robota Landroid®L na drugi trawnik. Robot Landroid®L skosi trawnik bez problemu, lecz konieczne będzie przeniesienie go z powrotem do stacji ładowania po wyczerpaniu się akumulatora.



W przypadku istnienia dwóch wysepek znajdujących się blisko siebie zaleca się poprowadzenie przewodu zgodnie z powyższą ilustracją.

Robot Landroid®L może swobodnie przemieszczać się nad przewodem granicznym pomiędzy wysepkami a granicą obszaru koszenia.

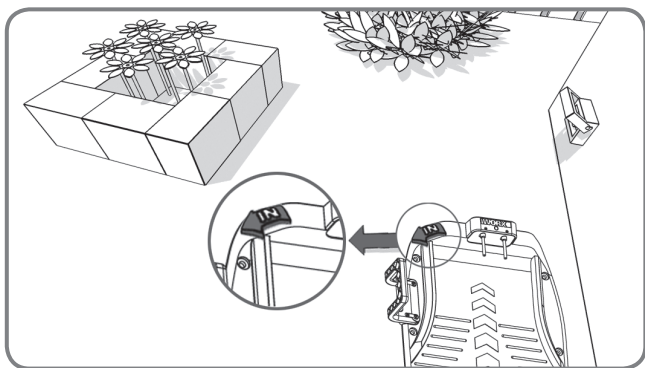


Wykluczony obszar będący blisko granicy obszaru koszenia powinien stanowić część samej granicy, jak pokazano na rysunku.

Instalacja

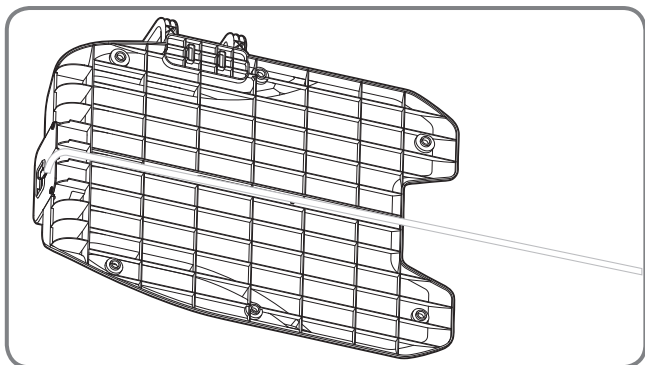
Mocowanie przewodu granicznego

Zalecamy w pierwszej kolejności skosić trawnik w miejscu, w którym ma być położony przewód przy użyciu normalnej kosiarki lub podkaszarki do trawy. Umożliwi to rozproszanie przewodu jak najbliżej ziemi tak, aby robot Landroid®L nie przeciął go przypadkowo. Przewód graniczny jest zasilany przewodem niskonapięciowym, więc jest całkowicie bezpieczny dla ludzi i zwierząt.



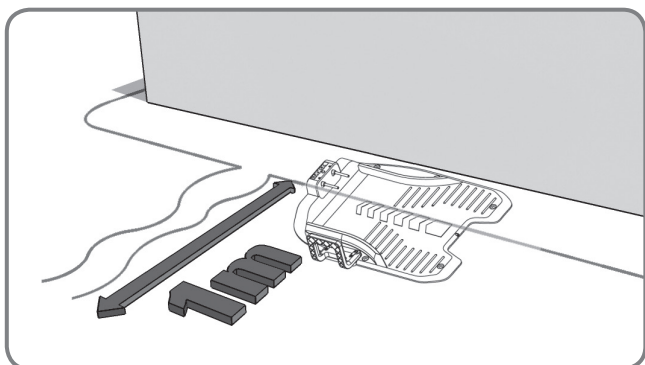
1

Umieścić stację ładowania w docelowym miejscu bez jej mocowania na stałe. Strzałka "IN" powinna być skierowana do wewnątrz trawnika.



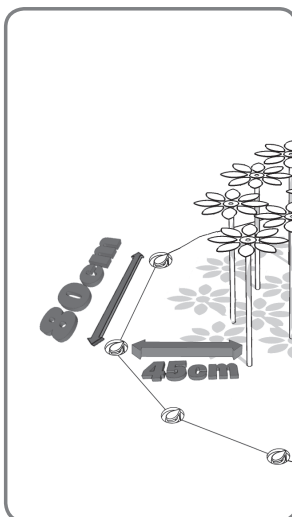
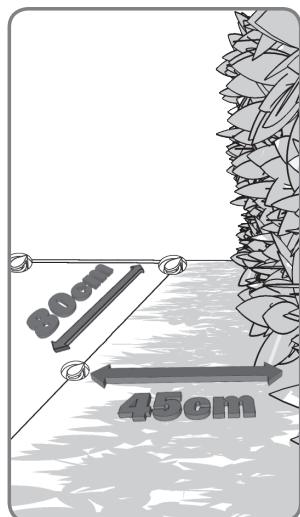
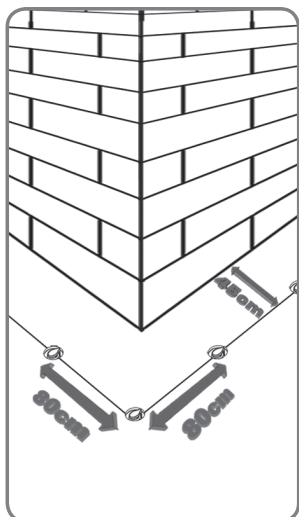
2

Przeprowadzić przewód graniczny przez osłonę kablową pod stacją ładowania.



3

Zostawiając około 1 metra zapasowego przewodu, rozpocząć jego rozkładanie od tyłu stacji ładowania i rozpocząć mocowanie przewodu wzdłuż granicy obszaru. Po rozłożeniu przewodu wzdłuż granic obszaru i z powrotem do stacji ładowania zostawić kolejny metr zapasowego przewodu i odciąć resztę.

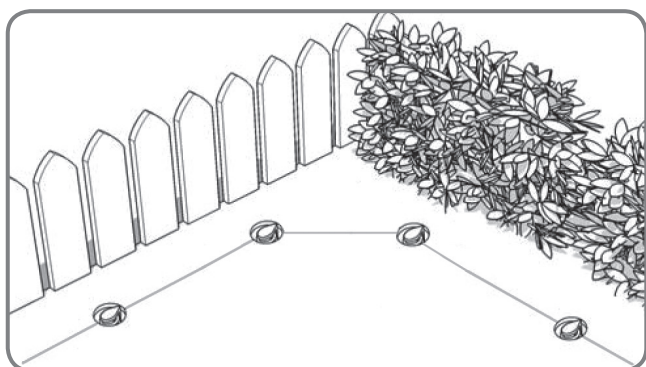
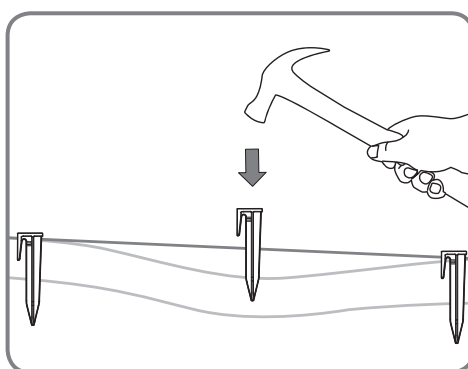
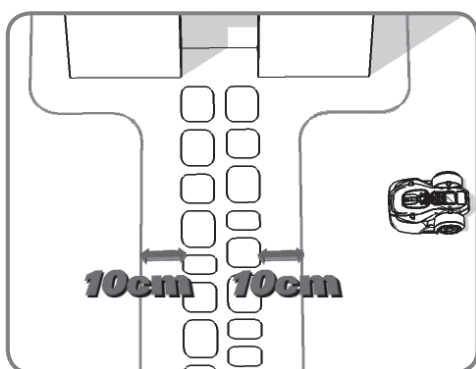


4

Podczas rozkładania przewodu użyć miernika odległości w celu zachowania 45cm* odstępu między przewodem a granicą obszaru. Jednakże w przypadku istnienia przeszkody, która znajduje się na poziomie ziemi i jest bezpieczna dla przejazdu robota Landroid®L, np. podjazd lub chodnik, wystarczy jedynie 10cm* odstępu.

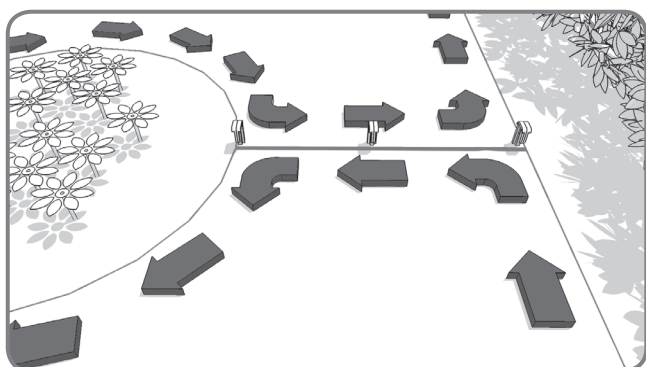
Szpilki mocujące powinny być rozmieszczone co 80cm. Należy wbić szpilki w ziemię przy użyciu młotka, unikając stosowania zbyt dużego nacisku na przewód. Przewód powinien być poprowadzony prosto i powinien być naprężony między szpilkami, bez luzu.

* To zalecany odstęp. Należy użyć załączonego miernika odległości w celu zapewnienia prawidłowej instalacji.



5

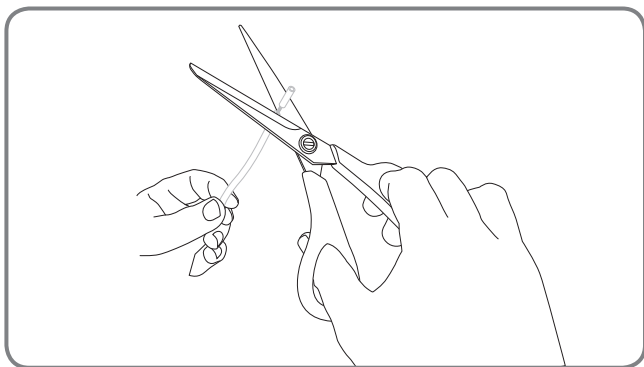
Upewnić się, że przewód graniczny jest idealnie prosty w każdym rogu.



6

Tworząc wysepkę przy użyciu przewodu granicznego, należy przestrzegać pokazanej ścieżki. Przewód powinien być poprowadzony z granicy obszaru, zarysować wysepkę, a następnie powinien być poprowadzony z powrotem do granicy. Przewody graniczne między wysepką i granicą powinny być poprowadzone blisko siebie i powinny być przymocowane przy użyciu tej samej szpilki. Podczas pracy robot Landroid®L będzie w stanie swobodnie przejechać przez tę część przewodu.

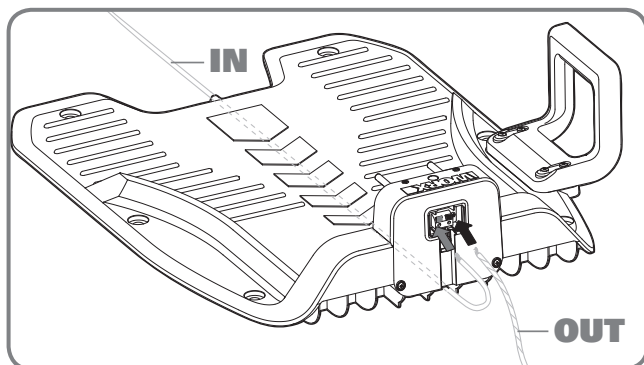
Podłączanie stacji ładowania do przewodu granicznego



1

Przyjąć przewód na długość odpowiednią, aby dosięgnął on zacisków.

Rozdzielić oba końce przewodu.



2

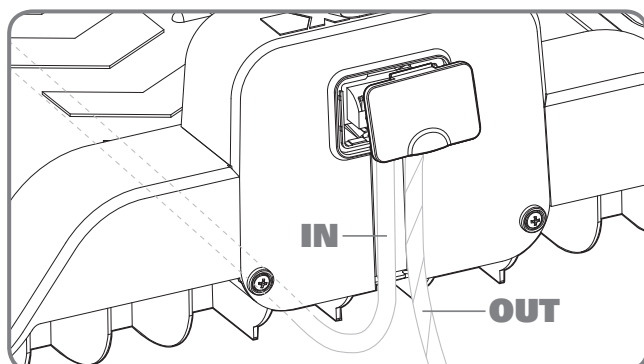
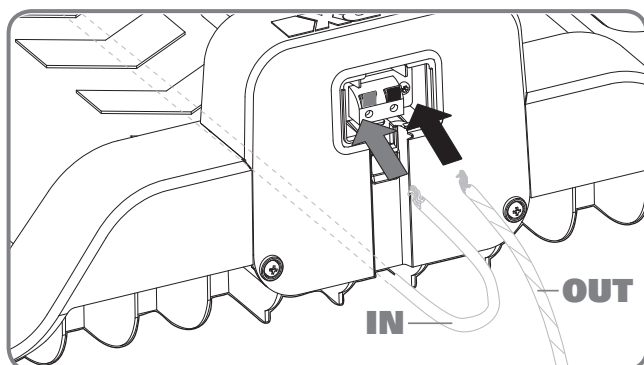
Podczas podłączania do stacji ładowania używa się przewodu IN (wejściowego) i OUT (wyjściowego), zgodnie z ilustracją.

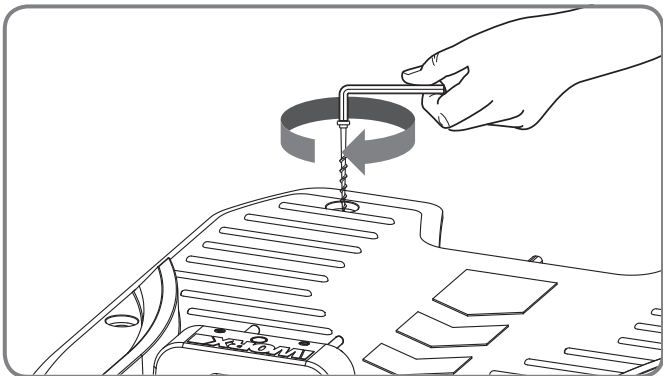
Podłączyć przewód IN (wejściowy) do czerwonego zacisku stacji ładowania, a przewód OUT (wyjściowy) do czarnego zacisku.

Zamknąć pokrywę.

138

PL

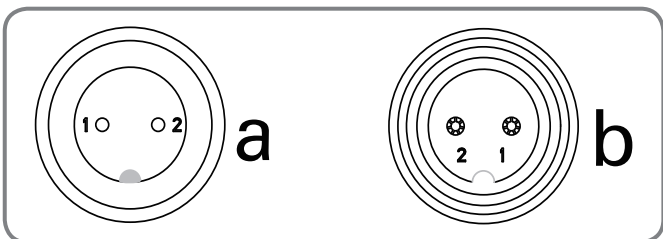




3

Teraz można przymocować stację ładowania na stałe do ziemi poprzez dokręcenie załączonych kołków mocujących stacji przy użyciu załączonego klucza imbusowego.

Uwaga: Upewnić się, że przewód IN (wejściowy) jest poprowadzony prosto przez osłonę pod stacją ładowania.



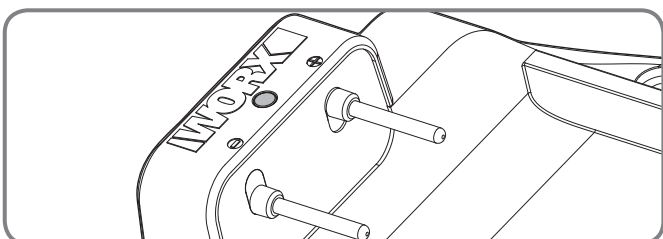
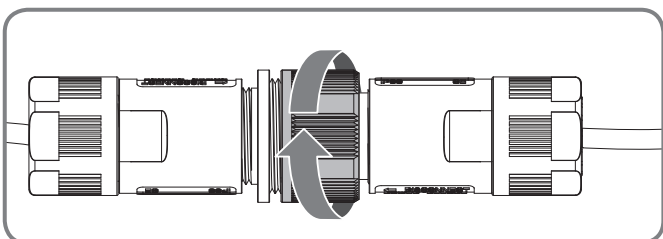
4

Podłączyć przewód zasilania do zasilacza, a następnie do gniazdka zasilania prądem zmiennym (AC). Dioda LED na stacji ładowania włączy się. Jeśli dioda LED jest wyłączona, skorzystaj z informacji zamieszczonych w podręczniku rozwiązywania problemów. Podłączając przewód, dopasować karb na łączniku przewodu zasilania (a) do rowka zasilacza sieciowego (b).b).

Pamiętać o dokręceniu lub odkręceniu jedynie zaznaczonej części łącznika.

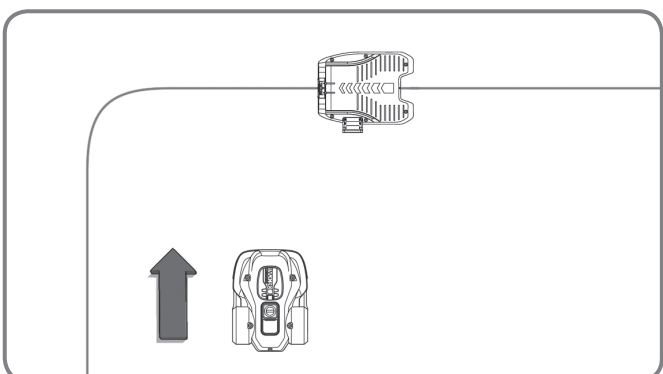
Jeśli zielona dioda nie zapali się, należy sprawdzić doprowadzenie zasilania.

Jeśli przewód zasilania znajduje się w obszarze roboczym, można go również zakopać.



Włączanie i testowanie instalacji

Włączenie robota do koszenia trawy Landroid®L po raz pierwszy jest ekscytującym doświadczeniem.

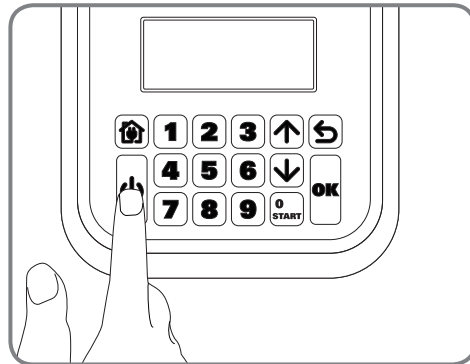
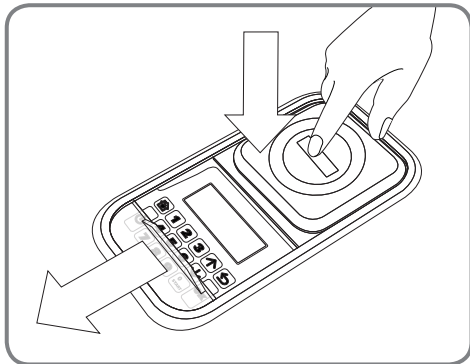


1

Umieścić robot do koszenia trawy Landroid®L wewnątrz obszaru roboczego, parę metrów od tylnej części stacji ładowania.

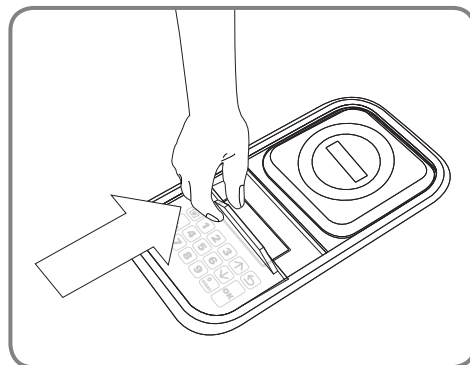
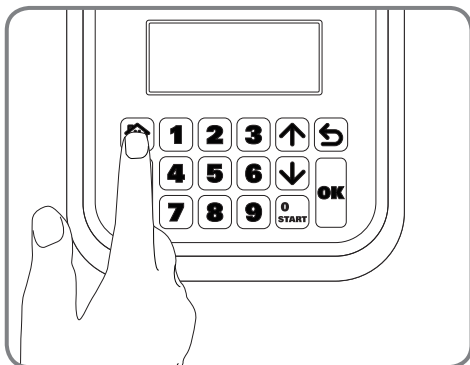
2

Otworzyć okienko klawiatury, naciskając duży czerwony przycisk na górze robota Landroid®L. Nacisnąć i przytrzymać przycisk Power ON/OFF (Zasilanie WŁ./WYŁ.), aż robot Landroid®L się włączy. następnie wprowadzić domyślny kod PIN 0000.



Nacisnąć przycisk (ikonka domu) i zamknąć okienko klawiatury: robot Landroid®L odnajdzie drogę do stacji ładowania.

Zaobserwować jak robot Landroid®L wraca do stacji ładowania i w razie potrzeby zmodyfikować położenie przewodu granicznego. Jeśli robot Landroid®L powróci do stacji ładowania, oznacza to, że instalacja została wykonana prawidłowo! Robot Landroid®L rozpocznie ładowanie do pełna.



UWAGA: Jeśli robot Landroid®L znajduje się w stacji ładowania w czasie, gdy zaprogramowano dla niego koszenie, wystarczy nacisnąć przycisk STOP i zamknąć okienko klawiatury, aby kazać robotowi wrócić do koszenia.



Ostrzeżenie

- Jeśli robot Landroid®L znajdzie się poza wyznaczonym obszarem, przestanie się przemieszczać i wyświetlony zostanie komunikat błędny „poza obszarem koszenia”. Wystarczy umieścić robota wewnątrz obszaru pracy i powtórzyć krok 2.

- Jeśli robot Landroid®L znajduje się wewnątrz obszaru koszenia, lecz wyświetlacz pokazuje komunikat „poza obszarem koszenia” i dioda LED jest włączona, oznacza to, że końcówki przewodu granicznego zostały błędnie zaciśnięte. Należy je zamienić.

- Robot Landroid®L powinien zawsze być włączony. W przypadku konieczności wyłączenia go należy upewnić się, że przed ponownym włączeniem został on umieszczony w swoim obszarze pracy.

- Jeśli robot Landroid®L nagle przestanie działać, wystarczy wcisnąć przycisk STOP, otworzyć okienko klawiatury robota, nacisnąć przycisk ON/OFF (WŁ./WYŁ.) w położenie ON (WŁ.), usunąć problemy, po czym nacisnąć przycisk **0 START** i zamknąć okienko klawiatury.

UWAGA: Więcej informacji można zobaczyć w Instrukcji programowania i rozwiązywania usterek.

Programowanie

Po zakończeniu instalacji pora zaprogramować robota Landroid®L, aby zaczął pracować przy użyciu wyświetlacza klawiatury pokazanego poniżej. Więcej informacji można znaleźć w załączonej Instrukcji programowania i rozwiązywania problemów.

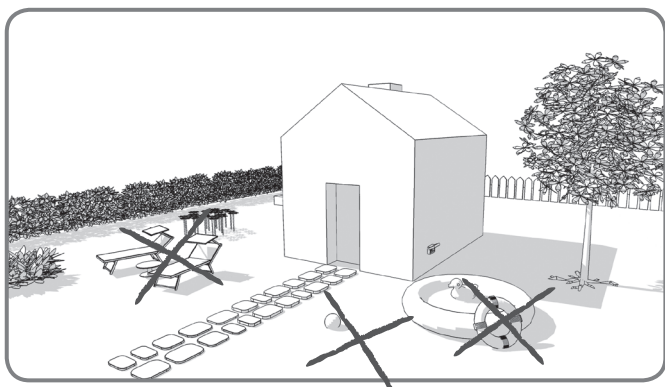


Gotów zacząć?

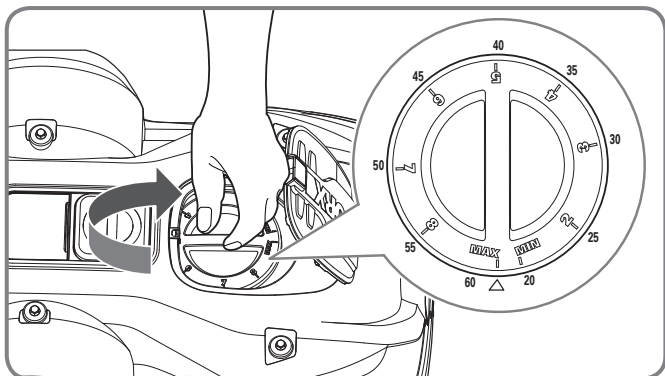
Zadaniem robota Landroid®L jest dbanie o zachowanie doskonałej długości trawy w trakcie sezonu, ale nie nadaje się on do wycinki drzew w dżungli.

Przed pierwszym uruchomieniem

1. Należy samemu skosić trawę na pożądaną wysokość.
2. Upewnić się, że obszar roboczy jest wolny od przeszkód, takich jak zabawki i gałęzie..




3. Dostosować wysokość koszenia do maksymalnego poziomu dla pierwszego koszenia , a następnie ustawić preferowaną wysokość trawy..

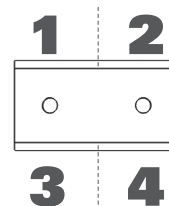


Następnej wiosny zacznij kosić robotem Landroid®L wcześniej, gdy trawa jest wciąż krótka tak, aby uniknąć wcześniejszego ręcznego koszenia trawy.

Zachowanie ostrości

 Regulację ostrzy należy przeprowadzać zawsze w rękawicach ochronnych.

Robot Landroid®L nie kosi trawy tak, jak inne kosiarki. Jego ostrza tnące są bardzo ostre na wszystkich czterech krawędziach i obracają się w obu kierunkach w celu uzyskania maksymalnej wydajności tnącej. Każde ostrze robota Landroid®L posiada 4 krawędzie tnące. W zależności od częstotliwości, z jaką robot Landroid®L kosi trawnik, należy regularnie odwracać/obracać ostrza w celu zastosowania nowej krawędzi tnącej. Jeśli robot Landroid®L jest zaprogramowany do codziennego koszenia trawnika, wówczas ostrza tnące muszą być obracane co miesiąc w celu uzyskania najlepszych wyników koszenia. W przypadku codziennego koszenia każde ostrze tnące wytrzyma do 4 miesięcy. W momencie stępienia i zużycia ostrzy tnących powinny one zostać wymienione na ostrza zapasowe dostarczone wraz z robotem Landroid®L. Zapasowe ostrza można nabyć również u najbliższego sprzedawcy sprzętu WORX.



Konserwacja

Robot Landroid®L został zaprojektowany i zbudowany z myślą o przebywaniu na zewnątrz, niezależnie od niekorzystnych warunków pogodowych. Należy tylko okresowo oczyszczać jego powierzchnię z nagromadzonych ściek trawy, a robot Landroid®L będzie pracował bezproblemowo rok po roku, sezon po sezonie. Nie należy myć robota wodą pod ciśnieniem. Może to spowodować uszkodzenie akumulatora i mechanizmów robota.

Przechowywanie zimą

Mimo, iż jest to trudne, zalecamy przechowywanie robota Landroid®L w szopie lub garażu podczas zimy. Przed przystąpieniem do przechowywania robota Landroid®L należy go naładować do pełna w celu uniknięcia uszkodzenia akumulatora. Następnie można odłączyć wtyczkę od stacji ładowania. Dobrym sposobem na wydłużenie żywotności akumulatora jest jego regularne ładowanie zimą. Całkowite naładowanie co 3 miesiące wystarczy w zupełności. Zalecamy również, aby zimą przykryć stację ładowania nylonową płachtą.

142

PL

Bezpieczeństwo

Robot Landroid®L jest bezpieczny dla ludzi i zwierząt. Po pierwsze, istnieje duża odległość między zewnętrznym brzegiem urządzenia a ostrzami. Ponadto czujniki przechyłu spowodują automatyczne zatrzymanie ostrzy, jeśli urządzenie zostanie podniesione z ziemi.

Zabezpieczenie

Robot do koszenia trawy Landroid®L jest zabezpieczony kodem PIN. Uniemożliwia on korzystanie z urządzenia przez nieupoważnione osoby. Po wyniesieniu urządzenia poza obszar koszenia nie będzie możliwe ponowne włączenie urządzenia przez osobę, która nie zna kodu PIN. Oznacza to również, że w przypadku zapomnienia kodu PIN nie będzie można uruchomić robota Landroid®L! Zalecamy zapisanie kodu PIN w tym miejscu, aby móc skorzystać z niego w przyszłości. Jeszcze lepszym rozwiązaniem jest zarejestrowanie swojego robota Landroid®L na stronie www.worxlandroid.com i zamieszczenie tam swojego kodu PIN. Dostęp do kodu PIN można uzyskać w dowolnym czasie przez Internet.

Zapisz swój kod PIN w tym miejscu

www.worxlandroid.com

WORX
it's your nature