

WORX®



LANDROID® **UNMANNED** **MOWING** **VEHICLE**

Lawn Mowing Robot	EN	P02
Roboter-Rasenmäher	D	P16
Robot de fauchage à pelouse	F	P30
Robot tosaerba	I	P44
Robot cortacesped	ES	P57
Robotgrasmaaier	NL	P71
Robot do koszenia trawy	PL	P84
Robotická sekačka	CZ	P98
Robotická kosačka	SK	P112
Robot za košnjo trave	SL	P126

ORIGINAL INSTRUCTIONS

TABLE OF CONTENTS

1. Product Safety	3
1.1 General & additional safety instruction	3
1.2 Information on the Landroid®L	5
2. Component list	6
3. Understanding Your Landroid®L	8
3.1 How does my Landroid®L know what to mow?	8
3.2 How does my Landroid®L know where to go?	9
A. Finding the Charging Base	9
B. Rain sensors	9
C. Sensing the boundary wire	9
D. Starting and stopping while mowing	9
3.3 How big an area can my Landroid®L mow?	10
3.4 How efficiently will my Landroid®L mow the grass?	10
4. Remote Mobile Control	11
5. Boundary Wire Basics	11
5.1 Pegging the Boundary Wire	11
5.2 Burying the Boundary Wire	11
5.3 Joining the Boundary Wire	11
6. Software update	12
7. Maintenance	12
7.1 Keep it sharp	12
A. Rotate and flip the blades	12
B. Replace the blades	12
7.2 Keep it clean	13
A. Cleaning the body	13
B. Cleaning the Underside	13
C. Clean the contact pins and the charging strips	13
7.3 Battery life	13
7.4 Winter hibernation	14
7.5 Replacing the battery	14

1. Product Safety

1.1 General & additional safety instruction



WARNING: Read all safety warnings and all instructions. Failure to follow the warnings and instructions may result in electric shock, fire and/or serious injury.

Carefully read the instructions for the safe operation of the machine.

Save all warnings and instructions for future reference.

- This appliance is not intended for use by persons (including children) with reduced physical, sensory or mental capabilities, or lack of experience and knowledge, unless they have been given supervision or instruction concerning use of the appliance by a person responsible for their safety.
- Children should be supervised to ensure that they do not play with the appliance.
- The appliance is only to be used with the power supply unit provided with the appliance.

IMPORTANT

READ CAREFULLY BEFORE USE

KEEP FOR FUTURE REFERENCE

SAFE OPERATION PRACTICES

Training

- a) Read the instructions carefully. Make sure you understand the instructions and be familiar with the controls and the proper use of the appliance;
- b) Never allow people unfamiliar with these instructions or children to use the appliance. Local regulations can restrict the age of the operator;
- c) The operator or user is responsible for accidents or hazards occurring to other people or their property

Preparation

- a) Ensure the correct installation of the boundary wire as instructed.
- b) Periodically inspect the area where the appliance is to be used and remove all stones, sticks, wires, bones, and other foreign objects.
- c) Periodically visually inspect to see that the blades, blade bolts and cutter assembly are not worn or damaged. Replace worn or damaged blades and bolts in sets to preserve balance.
- d) On multi-spindle appliances, take care as rotating one blade can cause other blades to rotate.
- e) **WARNING!** The lawnmower shall not be operated without the guard in place.

OPERATION

1. GENERAL

- a) Never operate the appliance with defective guards, or without safety devices, for example deflectors, in place;
- b) Do not put hands or feet near or under rotating parts. Keep clear of the discharge opening at all times;
- c) Never pick up or carry an appliance while the motor is running;
- d) Operate the disabling device from the appliance
 - Before clearing a blockage;
 - Before checking, cleaning or working on the appliance;
- e) It is not permitted to modify the original design of robotic lawnmower. All modifications are made at your own risk.
- f) Start robotic lawnmower according to the instructions. When the power key is switched on, make sure you keep your hands and feet away from the rotating blades. Never put your hands and feet under the mower.
- g) Never lift up robotic lawnmower or carry it when the power key is switched on.
- h) Do not let persons who do not know how robotic lawnmower works and behaves use the mower.
- i) Do not put anything on top of robotic lawnmower or its charging station.
- j) Do not allow robotic lawnmower to be used with a defective blade disc or body. Neither should it be used with defective blades, screws, nuts or cables.
- k) Always switch off robotic lawnmower when you do not intend to use the mower. Robotic lawnmower can only start when the power key is switched on and the correct PIN code has been entered.

2. ADDITIONALLY WHEN THE APPLIANCE IS OPERATING AUTOMATICALLY

- a) Do not leave the machine to operate unattended if you know that there are pets, children or people in the vicinity.

MAINTENANCE AND STORAGE



WARNING! When the mower is turned upside down, the power key must always be switched off. The power key should be switched off during all work on the mowers under frame, such as cleaning or replacing the blades.

- a) Keep all nuts, bolts and screws tight to be sure the appliance is in safe working condition;
- b) Inspect the robotic lawnmower each week and replace worn or damaged parts for safety;

- c) Check especially that the blades and blade disc are not damaged. Replace all blades and screws at the same time if necessary so that the rotating parts are balanced.
- d) Ensure that only replacement cutting means of the right type are used;
- e) Ensure that batteries are charged using the correct charger recommended by the manufacturer. Incorrect use may result in electric shock, overheating or leakage of corrosive liquid from the battery;
- f) In the event of leakage of electrolyte flush with water/neutralizing agent, seek medical help if it comes into contact with the eyes etc;
- g) Servicing of the appliance should be according to manufacturers instructions.

Transport

The original packaging should be used when transporting robotic lawnmower over long distances.

To safely move from or within the working area:

- a) Press the STOP button to stop the mower.
- b) You select the four digit PIN code when you start the mower for the first time.
- c) Always switch off robotic lawnmower if you intend to carry the mower.
- d) Carry the mower by the handle at the rear under the mower. Carry the mower with the blade disc away from the body.



Safety warnings for battery pack

- a) Do not dismantle, open or shred cells or battery pack.**
- b) Do not short-circuit a battery pack. Do not store battery packs haphazardly in a box or drawer where they may short-circuit each other or be short-circuited by conductive materials.** When battery pack is not in use, keep it away from other metal objects, like paper clips, coins, keys, nails, screws or other small metal objects, that can make a connection from one terminal to another. Shorting the battery terminals together may cause burns or a fire.
- c) Do not expose battery pack to heat or fire. Avoid storage in direct sunlight.**
- d) Do not subject battery pack to mechanical shock.**
- e) In the event of battery leaking, do not allow the liquid to come into contact with the skin or eyes. If contact has been made, wash the affected area with copious amounts of water and seek medical advice.**
- f) Seek medical advice immediately if a cell or battery pack has been swallowed.**
- g) Keep battery pack clean and dry.**
- h) Battery pack gives its best performance when it is operated at normal room temperature (20°C ± 5°C).**
- i) When disposing of battery packs, keep battery packs of different electrochemical systems separate from each other.**
- j) Recharge only with the charger specified by WORX. Do not use any charger other than that specifically provided for use with the equipment.** A charger that is suitable for one type of battery pack may create a risk of fire when used with another battery pack.
- k) Do not use any battery pack which is not designed for use with the equipment.**
- l) Keep battery pack out of the reach of children.**
- m) Retain the original product literature for future reference.**
- n) Dispose of properly.**

1.2 Information on the Landroid® L



WARNING - Robotic lawnmower can be dangerous if incorrectly used.

Read through the Operator's manual carefully and understand the content before using your robotic lawnmower.



WARNING - Keep a safe distance from the machine when operating.



WARNING - Operate the disabling device before working on or lifting the machine.



WARNING - Do not ride on the machine.



Do not burn



Batteries may enter water cycle if disposed improperly, which can be hazardous for ecosystem. Do not dispose of waste batteries as unsorted municipal waste.



Batteries should be recycled. Do not dispose of batteries, Return exhausted batteries to your local collection or recycling point.



Do not wash the machine with a high pressure washer

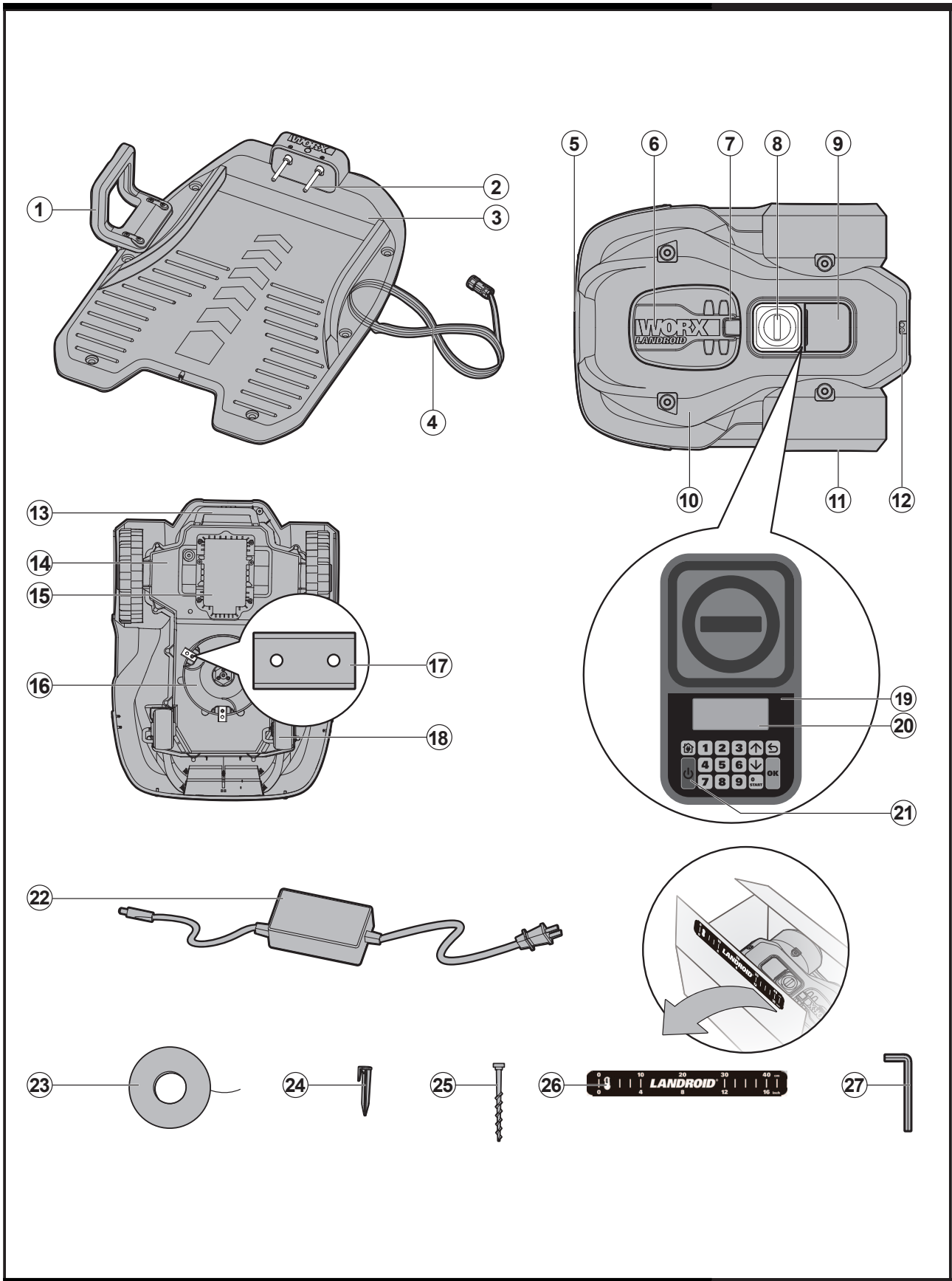


Class III appliance



Waste electrical products must not be disposed of with household waste. Please recycle where facilities exist. Check with your local authorities or retailer for recycling advice.

2. Component list



-
- 1. HANDLE BAR**

 - 2. CONTACT PINS**

 - 3. CHARGING BASE**

 - 4. LOW VOLTAGE CABLE**

 - 5. CHARGING STRIP**

 - 6. GRASS CUTTING HEIGHT ADJUSTMENT COVER**

 - 7. ACCESS POINT - TO OPEN HEIGHT ADJUSTMENT COVER.**

 - 8. STOP BUTTON**

 - 9. KEYPAD WINDOW**

 - 10. Landroid®L DECK**

 - 11. REAR DRIVING WHEEL**

 - 12. RAIN SENSOR**

 - 13. HANDLE**

 - 14. MAIN HOUSING - CONTAINS MOTOR, ELECTRONICS AND BATTERY.**

 - 15. BATTERY PACK**

 - 16. BLADE TURNING DISC**

 - 17. CUTTING BLADES**

 - 18. FRONT WHEEL**

 - 19. KEYPAD**

 - 20. DISPLAY**

 - 21. ON/OFF KEY**

 - 22. POWER ADAPTOR**

 - 23. BOUNDARY WIRE**

 - 24. WIRE PEGS**

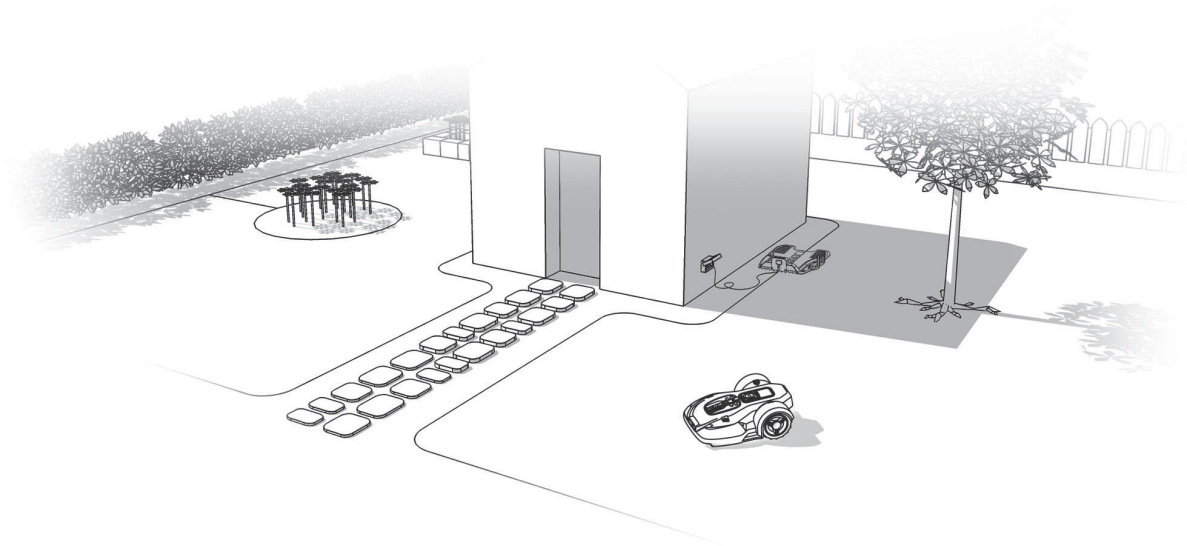
 - 25. CHARGING BASE FIXING NAILS**

 - 26. BOUNDARY WIRE DISTANCE GAUGE**

 - 27. HEX KEY**
-

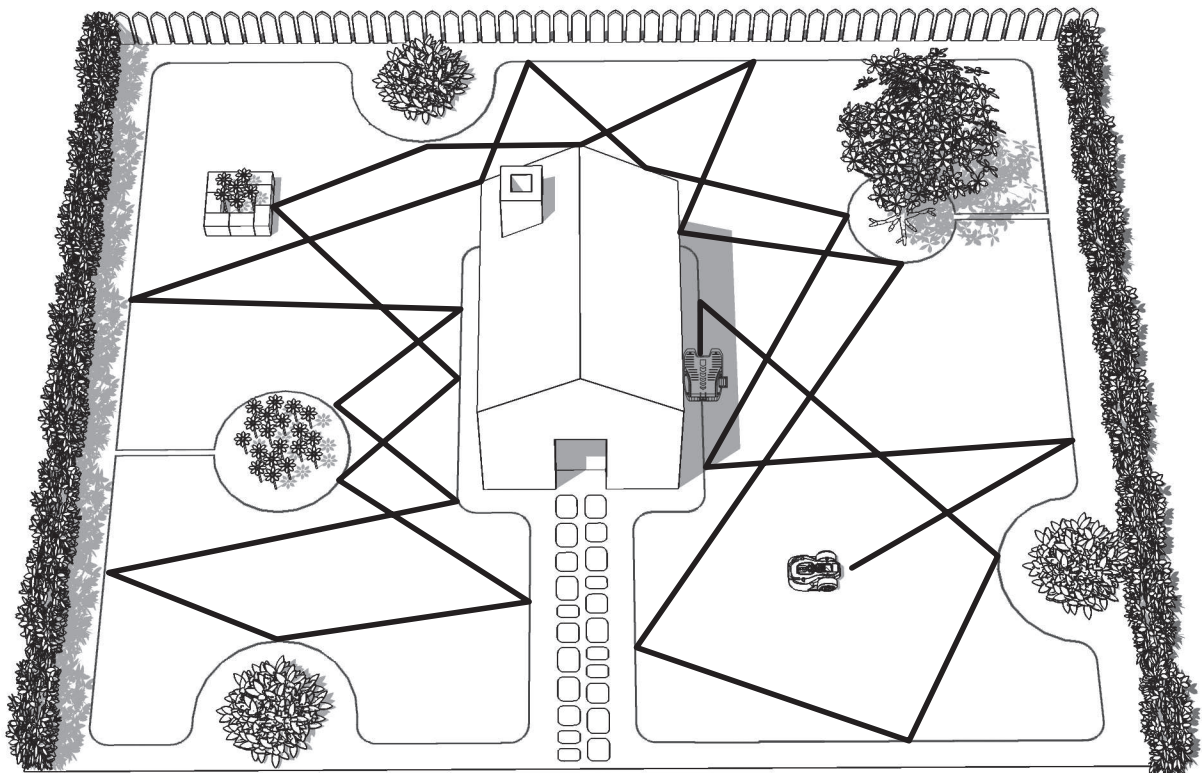
3. Understanding Your Landroid® L

We would like to congratulate you on your new purchase of the Landroid® L and entering into the care-free life of automatic mowing. In the following, we would like to help you better understand how your Landroid® L thinks.



3.1 How does my Landroid® L know what to mow?

The Landroid® L chooses its direction at random. It will make sure your entire lawn is evenly mowed without leaving behind any unattractive mowing paths (See Fig. A).



A

3.2 How does my Landroid®L know where to go?

Your Landroid®L is capable of doing things on its own. The Landroid®L knows when it needs to go to its Charging Base (3) to charge, can sense when it is raining, can stop itself if it senses a problem, and knows to stop, drawback, and then turn around when it bumps into something blocking its path or other object. The Landroid®L will also automatically stop its Blade Turning Disc (16) from rotating if it is lifted off the ground to prevent an accident.

A. Finding the Charging Base

When your Landroid®L needs to recharge, it will stop mowing and follow the Boundary Wire (23) in an anti-clockwise direction back to its Charging Base. Landroid®L is pre-programmed to mow the grass near the boundary wire once a week.

If you want to mow the grass near the boundary wire at other times, open the keypad window, press the home button and close the keypad window. Landroid®L will stop mowing, locate the boundary wire and mow the grass near the boundary wire while it locates the charging station. We suggest you use this function when the battery power is more than 75%. You can check the battery power in the display.

B. Rain sensors

The Landroid®L is fitted with a Rain Sensor (12) that will detect rain drops and tell the Landroid®L to stop mowing and follow the Boundary Wire back to its Charging Base. (See Fig. B)

The Landroid®L is programmable to have a delay start function (0 – 180 mins) when it rains. When the rain sensors are wet, the Landroid®L returns to its docking station. Only when the rain sensors become dry will the Landroid®L begin the delay start countdown or return to mowing immediately. See the Programming and Troubleshooting Guide for more details.

C. Sensing the boundary wire

The Landroid®L always obeys the border set by the Boundary Wire and uses two sensors at its front to sense when it is getting close (See Fig. C). Before changing direction, the Landroid®L will overrun the Boundary Wire up to 25cm*.

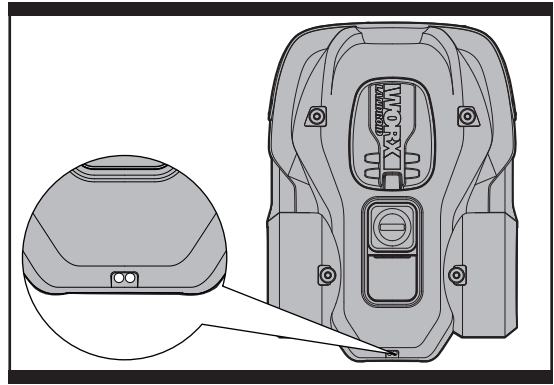
*This is the recommended distance. Use the provided distance gauge to ensure proper installation.

D. Starting and stopping while mowing

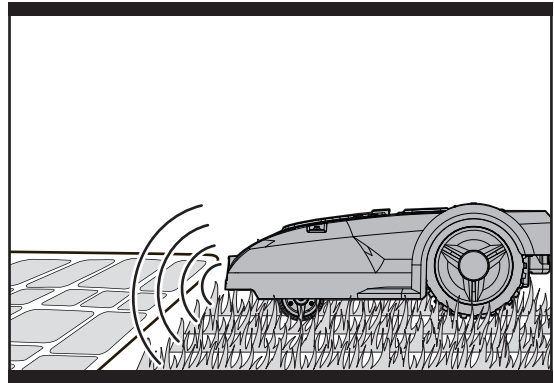
If you would like to command the Landroid®L to stop mowing, then simply press the STOP button (8) on top of the mower.

It will not begin mowing again until you have press **0** START and closed its Keypad Window. (See Fig. D, E)

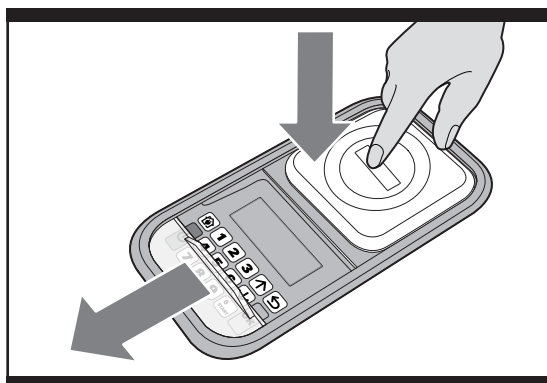
If the Landroid®L senses that something is wrong, it will display a fault message on the Display (20), and will turn itself off if it does not receive any input from the user within 20 min (for information on fault messages refer to the Programming and Troubleshooting Guide).



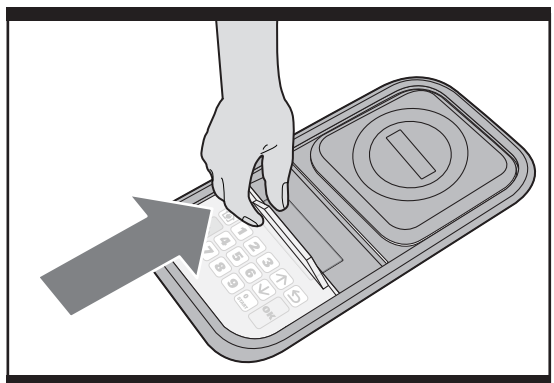
B



C





D





E

To resume:

Scene 1: STOP –Auto Shutdown after 20 mins

- Press the STOP Button
- Open the Keypad Window
- Press the ON/OFF Key (21) to ON
- Press  key to correct the problem
- Press  key again and Close the Keypad Window
- Now the Landroid®L will begin to mow!

Scene 2: STOP–Without Auto Shutdown

- Press the STOP Button
- Open the Keypad Window
- Press  key to correct the problem
- Press  key again and Close the Keypad Window
- Now the Landroid®L will begin to mow!

3.3 How big an area can my Landroid®L mow?

Your Landroid®L is capable of mowing areas of up to different size areas, although this depends on various factors, such as:

- Species of grass in your lawn and its growth rate
- Sharpness of the Blades (17)
- Humidity
- Surrounding temperature
- Amount of obstacles in your Lawn

If the surrounding temperature is very hot where you live then your Landroid®L may charge at a slightly slower rate. The Landroid®L uses less energy in open areas that have fewer obstacles, such as flower beds, fountains, walkways, etc...

You can find the default work time of Landroid®L for different lawn size in programming guide

Mowing times are different for every lawn depending on the factors mentioned previously. Gradually adjust the time you allow your Landroid®L to mow each day until you find the most suitable setting.

You can also program Landroid®L working time to suit your schedule – refer to Programming Guide.

3.4 How efficiently will my Landroid®L mow the grass?

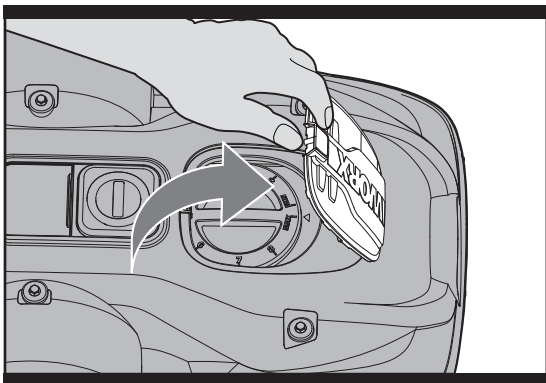
The Landroid®L's cutting height can be adjusted between 2cm - 6cm. Before starting your Landroid®L for the first time, you should cut the grass to the height not more than 9 cm. Then make sure you open the GRASS CUTTING HEIGHT ADJUSTMENT COVER (6) and set the cutting height to its maximum cutting height of 6cm (See Fig. F, G).

Your Landroid®L will cut its best in dry weather. It does not like wet grass, which can build up on the Blade Turning Disc (16) and within the motor, and can also cause loose traction and slippage while working.

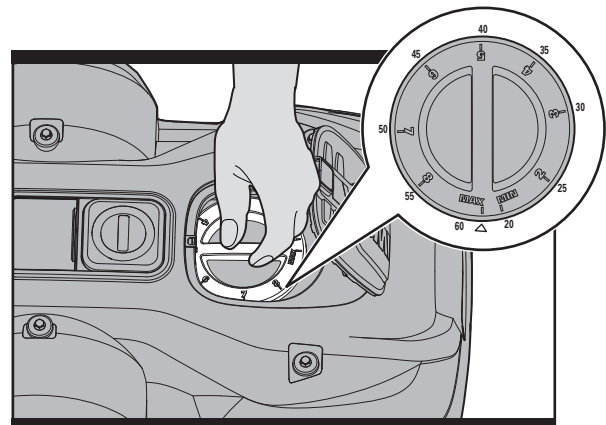
Your Landroid®L is afraid of Lightning Storms. In case of a Lightning Storm, protect the Landroid®L by unplugging the Charging Base (3), disconnecting the Boundary Wire (23), and making sure the Landroid®L is not allowed to charge.

Your Landroid®L loves mowing grass and requires the Cutting Blades (17) to be kept in good condition to cut its best. The Landroid®L can do most things by itself, but will need your help sometimes to prevent damage to itself.

- Never let the Landroid®L travel over gravel.
- Remove or prevent access to obstacles that the Landroid®L could accidentally climb and damage its Blade Disc.
- Remove all debris and foreign objects from your lawn.



F



G

4. Remote Mobile Control (only for specific model, please check Technical data & Declaration of Conformity)

Your Landroid®L could be connected to smart phone. All the general settings could be set on your phone. It will also show the current working status, even errors. For the details settings, please refer to the Landroid®L Wifi Connection Guide.

5. Boundary Wire Basics

5.1 Pegging the Boundary Wire

Use the Boundary Wire Distance Gauge (26) to set the correct distance from the border of your lawn (More than 45cm *).

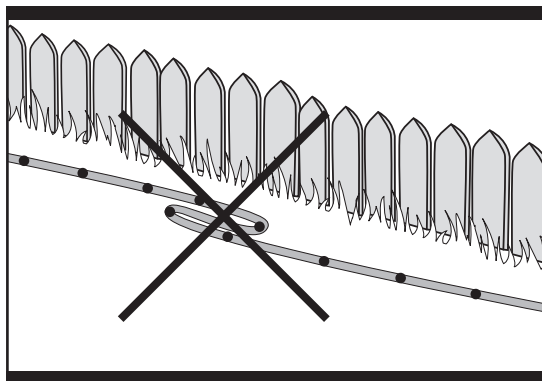
* This is the recommended distance. Use the provided distance gauge to ensure proper installation.

If your neighbor also uses a Landroid®L, then you must keep a spacing of at least 0.5 metres between your Boundary Wire and your neighbors.

The boundary wire must outline the intended mowing area exactly.

Your Landroid®L will become confused by extra bends or coils of Boundary Wire that are not part of its mowing area (See Fig. H).

If there is excess Boundary Wire after the mowing area has been outlined, then cut it off and store this additional wire in a separate location. However, it is important to leave the necessary length where it connects to the Charging Base so it can be connected and still remain buried.



H

5.2 Burying the Boundary Wire

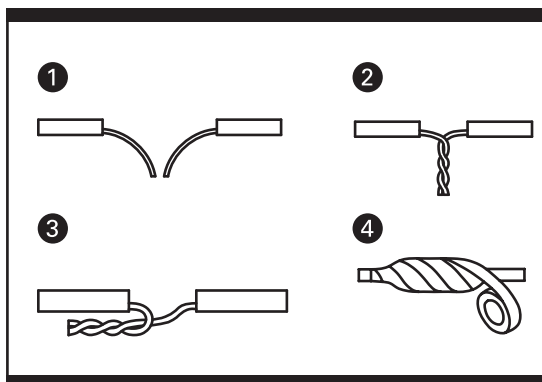
If you are planning to bury the Boundary Wire then it should be noted that when entering its Charging Base for the first time, your Landroid®L may find problems with the way you have laid the wire. It is recommended to first peg down the Boundary Wire to the lawn so it is easy to make adjustments if necessary. This will allow the Landroid®L to become adjusted to its new environment and ensures it will successfully work with the charging base before the Boundary Wire is buried.

When you have completed installing the boundary wire, it is recommended that you ask Landroid®L to follow the boundary wire by pressing the home button.

Whilst observing Landroid®L locating the charging station you can then make alterations to the boundary wire route to ensure trouble free tracking of the boundary wire by Landroid®L when locating the charging station.

5.3 Joining the Boundary Wire

The Boundary Wire (23) can be extended simply by splicing the ends and connecting it to the ends of another piece of wire. You can use insulating tape to secure the joined part of the wire. (See Fig. I)



I

6. Software update

Your Landroid®L software can be updated when new versions become available. The software version will be displayed in the diagnosis page by pressing button 2 on homepage. The latest software can be downloaded from our website www.worxlandroid.com. See the detailed guideline on download page.

The manual in box is based on the default software in the mass production. Some new features/functions in the new version may not exist in the manual. If you found some settings not in the manual, please visit www.worxlandroid.com to download the latest manual.

7. Maintenance

Your Landroid®L needs to be checked from time to time. The Landroid®L works hard and after time needs a good cleaning as well as to have its parts replaced, as they can become worn. In the following we want to let you know how to take care of your Landroid®L.

7.1 Keep it Sharp

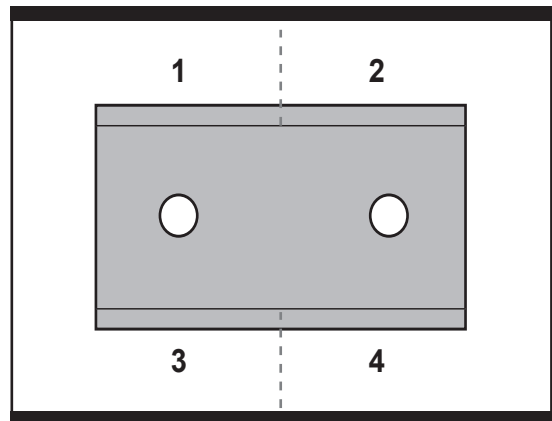


WARNING: Before cleaning, adjusting, or replacing the Blades, turn your Landroid®L OFF and put on protective gloves.



WARNING! When fitting new blades, make sure you replace ALL the blades. Always use new screws when fitting blades. This is important to ensure blade retention. Failure to use new screws could cause serious injury.

The Landroid®L does not cut grass like other mowers. Its Blades (17) are razor sharp on all 4 edges and spin in both directions for maximum cutting capacity (See Fig. J). Each blade of your Landroid®L has 4 cutting edges. Depending on the frequency the Landroid®L mows your lawn, the cutting blades will need to be flipped/rotated periodically for a new cutting edge. If your Landroid®L is programmed to mow the lawn every day then the cutting blades will need to be rotated monthly for the best mowing results. Each cutting blade will last up to 4 months when it is programmed to mow every day. When the cutting blades are dull and worn out, they should be replaced with the spare blades provided with your Landroid®L. Spare blades are also available at your nearest WORX retailer.



J

A. Rotate and Flip the Blades

Your Landroid®L carries the Blades that are all screwed onto the Blade Disc (16). The Blades allow the Landroid®L to do its job and need care and attention. Every once in awhile, you should simultaneously rotate and flip all blades for a perfect cut. When rotating and flipping the Blades, make sure all the Blades are adjusted at the same time or else it could make the Blade Disc off balance. If your Landroid®L mows on a normal schedule (daily) then the Blades should last one season if they are rotated and flipped every month. Always check to see if the Blades are chipped or damaged and replace them if they are.

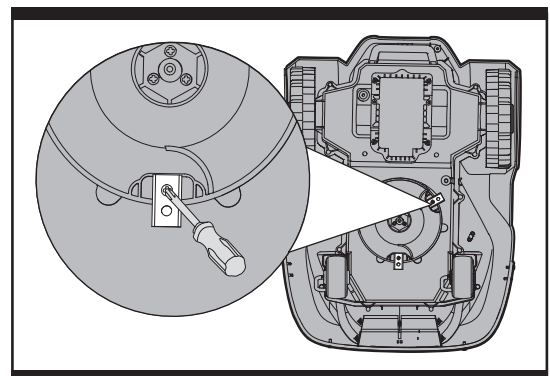
B. Replace the Blades (See Fig. K)

After some time, usually every season, your Landroid®L's Blades will need to be replaced. Your Landroid®L does not like mowing while using Blades of different age and quality. So when replacing the Blades, make sure to replace all of them at the same time. You can replace them with one of the three spare Blade kits and extra Blade screws supplied with your Landroid®L.

Before attempting to replace your Landroid®L's Blades, turn the power off and put on protective gloves. Then follow these steps:

1. Gently flip the Landroid®L over
2. Remove the battery cover and remove the battery.
3. Take the screws off the Blades with a screwdriver
4. Firmly screw on the new Blades
5. Refit the battery and battery cover.

IMPORTANT: After screwing the Blade to the Blade Disc, make sure the Blade is able to spin freely.



K

7.2 Keep it Clean



WARNING! Before cleaning turn your Landroid® L OFF. Put on protective gloves before cleaning the Blade Disc (16) and do not use running water. (See Fig. L)

A. Cleaning the Body

Your Landroid® L will live a much happier and longer life if it is cleaned regularly. Although, as your Landroid® L is an electric machine, you will need to take care when cleaning, so DO NOT use a hose, high pressure washers or otherwise pour running water on your Landroid® L, it is best to use a spray bottle filled with water. When cleaning the machine body use a soft brush or clean cloth and avoid using solvents or polishes (See Fig. L). Lastly, make sure that you remove all build up of grass clippings and debris.

B. Cleaning the Underside

Again, it is important that you power the Landroid® L OFF using the ON/Off Button and wear protective gloves before touching the Blade Disc (16).

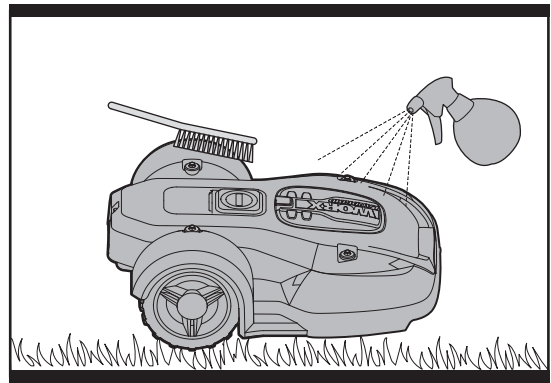
First, flip your Landroid® L upside down to expose its underside. Here you will see the Blade Disc, the Main Housing (14), and the Front (18) and Drive (11) Wheels. Clean everything thoroughly with a soft brush or moist cloth.

Rotate the Blade Disc to ensure it rotates freely. Check the blades spin freely around the fixing screws. Remove any obstructions.

IMPORTANT: Remove any lodged debris so that it does not cause a crack in the Blade Disc. Even the tiniest crack can decrease your Landroid® L's mowing output.

C. Clean the contact pins and the charging strips

Clean the Contact Pins (2) located on the Charging Base (3) and the Charging Strip (5) located on the Landroid® L using a cloth. Remove any build up of grass clippings and debris around the contact pins and charge strips periodically to ensure the Landroid® L successfully charges each time.



L

7.3 Battery Life

The heart of the Landroid® L is its 28-volt lithium-ion battery. No maintenance is required. For proper storage of the battery, make sure it is fully charged in kept in a cool dry place between (20°C-60°C).

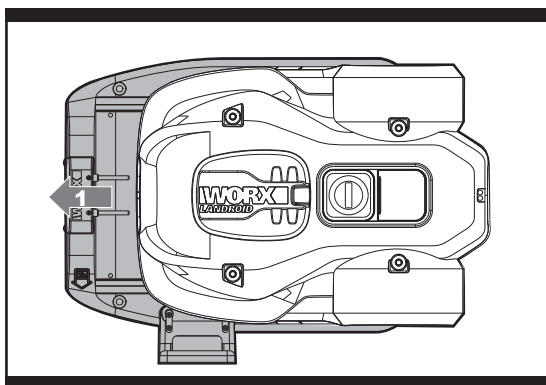
The life-span of the Landroid® L's battery depends on various factors, such as:

- The time span of the mowing season in your region.
- Amount of hours the Landroid® L mows per day.
- Battery maintenance during storage.

Landroid® L can be charged manually without the boundary wire.

To manually charge the battery without connecting the boundary wire to the charging base;

- 1. Connect the Charging Base to a suitable power supply.**
- 2. Manually dock the Landroid® L into the Charging Base while the Landroid® L is powered off. (See Fig.M1)**
- 3. The charging base red light will turn on.**
- 4. While "charging" is shown on the screen. (See Fig. M2), Landroid® L will begin to charge.**



M1



M2

7.4 Winter Hibernation

Your Landroid®L will live longer and healthier if it is allowed to hibernate. So even though it is tough, we would recommend that you store your Landroid®L in your shed or garage during the winter.

Before you prepare your Landroid®L for winter hibernation, we recommend you:

- Thoroughly clean your Landroid®L.
- Fully charge the battery.
- Turn the mower off.

To maximize the battery life, it is recommended to fully charge the battery before storage during winter.

The Boundary Wire can be left in the ground although its ends should be protected, such as placed in a tin can with grease. If the Charging Base is left outside for winter, leave the Boundary Wire connected.

NOTE: When bringing the Landroid®L back to life after winter hibernation, make sure the Charging Strips (5) and Contact Pins (2) are clean, it is best to use a fine grade emery cloth. Then make sure the date and time are correct and send the Landroid®L back to what it loves doing: mowing.

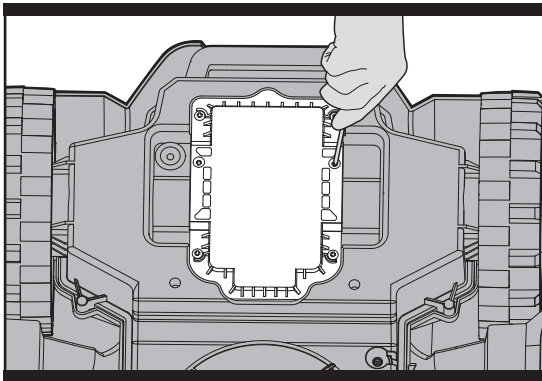
7.5 Replacing the Battery



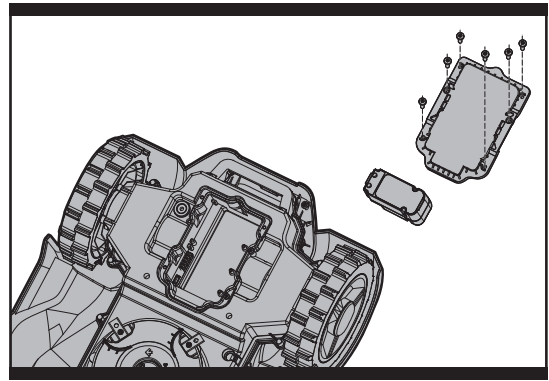
WARNING! Press the ON/OFF Key to OFF before attempting any adjustment, replacement or repair.

If you need to replace the Battery, follow these steps:

1. Gently Turn your Landroid®L upside down.
2. Remove the six screws on the battery cover. (See Fig. N)
3. Take out the old battery. (See Fig. O)
4. Put in the new battery.
5. Firmly replace the screws.



N



O

Environmental Protection



Waste electrical products should not be disposed of with household waste. Please recycle where facilities exist. Check with your Local Authority or retailer for recycling advice.

Plug Replacement (UK & Ireland Only)

If you need to replace the fitted plug then follow the instructions below.

IMPORTANT

The wires in the mains lead are colored in accordance with the following code:

Blue – Neutral

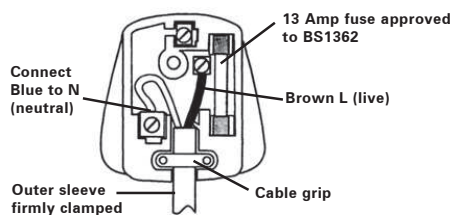
Brown – Live

As the colors of the wires in the mains lead of this appliance may not correspond with the coloured markings identifying the terminals in your plug, proceed as follows. The wire which is coloured blue must be connected to the terminal which is marked with N. The wire which is coloured brown must be connected to the terminal which is marked with L.



WARNING: Never connect live or neutral wires to the earth terminal of the plug. Only fit an approved BS1363/A plug and the correct rated fuse.

NOTE: If a moulded plug is fitted and has to be removed take great care in disposing of the plug and severed cable, it must be destroyed to prevent engaging into a socket.



BEDIENUNGSANLEITUNG

INHALT

1. Sicherheitsvorschriften	17
1.1 Allgemeine Sicherheitshinweise für Elektrowerkzeuge	17
1.2 Informationen zum Landroid®L	19
2. Komponenten	20
3. Wissenswertes zu Ihrem Landroid®L	22
3.1 Wie weiß mein Landroid®L, wo er mähen soll?	22
3.2 Wie weiß mein Landroid®L, wohin er fahren soll?	23
A. Ladestation finden	23
B. Regensensor	23
C. Begrenzungskabel erkennen	23
D. Beim Mähen stoppen und wieder starten	23
3.3 Welche Fläche kann mein Landroid®L mähen?	24
3.4 Wie gut mäht der Landroid®L das Gras?	24
4. Mobile Fernsteuerung	25
5. Grundlegendes zum Begrenzungskabel	25
5.1 Begrenzungskabel abstecken	25
5.2 Begrenzungskabel eingraben	25
5.3 Begrenzungskabel verbinden	26
6. Softwareaktualisierung	26
7. Wartung	26
7.1 Immer schön scharf	26
A. Messer drehen und umdrehen	26
B. Messer austauschen	27
7.2 Sauber halten	27
A. Gehäuse reinigen	27
B. Unterseite reinigen	27
C. Kontakte und Ladestreifen reinigen	27
7.3 Akkulaufzeit und -haltbarkeit	28
7.4 Überwintern	28
7.5 Akku austauschen	29

1. Sicherheitsvorschriften

1.1 Allgemeine Sicherheitshinweise für Elektrowerkzeuge



WARNUNG: Lesen Sie alle Sicherheitshinweise und Anweisungen. Versäumnisse bei der Einhaltung der Sicherheitshinweise und Anweisungen können elektrischen Schlag, Brand und/oder schwere Verletzungen verursachen.

Lesen Sie die Bedienungsanleitung zum sicheren Betrieb des Gerätes aufmerksam durch. Bewahren Sie alle Sicherheitshinweise und Anweisungen für die Zukunft auf.

- Dieses Gerät ist nicht zur Verwendung durch Personen (einschließlich Kindern) vorgesehen, die über reduzierte körperliche Eignung, Wahrnehmung oder geistige Fähigkeiten, Mangel an Erfahrung und Wissen verfügen, sofern diese Personen nicht von einer verantwortlichen Person beaufsichtigt oder in der Verwendung des Gerätes unterwiesen wurden.
- Kinder sollten grundsätzlich beaufsichtigt werden, damit sie nicht mit dem Gerät spielen.
- Das Gerät darf nur mit dem mitgelieferten Netzteil verwendet werden.

**WICHTIG
VOR GEBRAUCH BITTE SORGFÄLTIG
DURCHLESEN UND FÜR WEITERE FRAGEN AUFBEWAHREN**

SICHERER BETRIEB

Training

- a) Die Anweisungen aufmerksam durchlesen. Machen Sie sich mit den Bedienelementen und dem vorschrittmäßigen Gebrauch des Rasenmähers vertraut.
- b) Niemals Kindern oder mit diesen Anweisungen nicht vertrauten Personen erlauben, den Rasenmäher zu benutzen. Nationale Vorschriften können das Alter der Bedienperson möglicherweise beschränken.
- c) Bedenken Sie, dass der Bediener oder Benutzer bei Unfällen oder Gefährdungen anderer Personen oder deren Eigentum die Verantwortung trägt!

Vorbereitung

- a) Stellen Sie sicher, dass das Begrenzungskabel gemäß den Anweisungen verlegt wird.
- b) Inspizieren Sie die Gegend, in der die Ausrüstung eingesetzt werden soll, gründlich und entfernen Sie alle Objekte, die durch die Maschine aufgeschleudert werden könnten.
- c) Überprüfen Sie in regelmäßigen Abständen, ob Messer, Messerschrauben und Schneidbalken abgenutzt oder beschädigt sind. Abgenutzte Messer und Schrauben nur im ganzen Satz auswechseln, um Unwuchten zu vermeiden.
- d) Achten Sie darauf, dass bei Geräten mit mehreren Klingen ein Klingensatz durch den anderen in Rotation versetzt werden kann.
- e) **WARNUNG!** Der Rasenmäher darf nicht betrieben werden, wenn der Schutz nicht angebracht ist.

BETRIEB

1. ALLGEMEINE SICHERHEITSHINWEISE

- a) Betreiben Sie das Gerät niemals mit defektem Schutz oder ohne installierte sicherheitsvorrichtungen, wie etwa deflektoren;
- b) Hände und Füße nicht in die Nähe oder unter rotierende Teile bringen.
- c) Niemals den Rasenmäher bei laufendem Motor anheben oder tragen.
- d) Betätigen Sie die Deaktivierungseinrichtung des Geräts,
 - vor dem Beseitigen einer Verstopfung;
 - vor dem Überprüfen, Reinigen oder Arbeiten am Gerät.
- e) Der ursprüngliche Zustand des WORX Landroid®L darf nicht modifiziert werden. Alle Änderungen erfolgen auf eigene Verantwortung.
- f) Starten Sie den Roboter-Rasenmäher gemäß Anweisungen. Wenn der Netzschalter eingeschaltet ist, stellen Sie sicher, dass Sie Ihre Hände und Füße von den drehenden Messern entfernt halten. Bringen Sie Ihre Hände und Füße niemals unter den Rasenmäher.
- g) Heben Sie den Roboter-Rasenmäher niemals an bzw. tragen Sie ihn nicht, wenn der Netzschalter eingeschaltet ist.
- h) Erlauben Sie niemandem, der sich mit den Funktionen und Verhaltensmuster des WORX Landroid®L nicht auskennt, den Mäher zu benutzen.
- i) Keine Gegenstände auf den WORX Landroid®L oder seine Ladestation legen.
- j) Wenn der Messerteller oder das Gehäuse defekt ist, darf der WORX Landroid®L nicht in Betrieb genommen werden. Das gleiche gilt für defekte Messer, Schrauben, Muttern oder Kabel.
- k) Schalten Sie den Roboter-Rasenmäher stets aus, wenn dieser nicht verwendet wird. Der Roboter-Rasenmäher kann nur starten, wenn der Netzschalter eingeschaltet ist und der korrekte PIN-Code eingegeben wurde.

2. HINWEIS ZUM AUTOMATIKBETRIEB DES ROBOTERS

- a) Den WORX Landroid®L niemals unbeaufsichtigt verwenden, wenn sich Personen – besonders Kinder – oder Haustiere in der Nähe aufhalten.

WARTUNG UND AUFBEWAHRUNG



WARNUNG! Wenn der Rasenmäher umgedreht wird, muss der Netzschalter stets ausgeschaltet werden.

Der Netzschalter muss bei allen Arbeiten am Unterbau des Rasenmähers ausgeschaltet werden, beispielsweise bei der Reinigung oder beim Wechseln der messer.

- a) Stellen sie den festen sitz aller schrauben, muttern und bolzen sicher, um zu gewährleisten, dass sich der rasenmäher in einem betriebssicheren zustand befindet;
- b) Den WORX Landroid®L einmal pro woche kontrollieren und eventuell beschädigte oder verschlissene teile austauschen.
- c) Messer und messerteller besonders sorgfältig auf schäden untersuchen. bei bedarf alle messer und schrauben gleichzeitig austauschen, um eine unwucht der rotierenden teile zu vermeiden.
- d) Verwenden sie beim austausch nur original worx messer.;
- e) Verwenden sie zum laden des akkus nur das vom hersteller empfohlene ladegerät. eine nicht den hinweisen entsprechende verwendung kann zu einem stromschlag, zur überhitzung oder zum auslaufen der batterieflüssigkeit führen.
- f) Tritt batterieflüssigkeit aus, beseitigen sie sie mit wasser und einem neutralen reinigungsmittel. kommt sie mit augen etc. in kontakt, suchen sie sofort einen arzt auf.
- g) Warten sie den roboter nach den anweisungen des herstellers.

Transport

Für längere Transporte legen Sie den WORX Landroid®L am besten in die Originalverpackung.

Für einen sicheren Transport vom oder innerhalb des Arbeitsbereichs:

- a) Drücken Sie die STOP -Taste, um den Mäher zu stoppen.
- b) Sie wählen den vierstelligen PIN aus, wenn Sie den Mäher das erste Mal benutzen.
- b) Schalten Sie den Roboter-Rasenmäher immer aus, wenn Sie diesen tragen möchten.
- c) Den Mäher an seinem Griff g



Sicherheitshinweise für den Akku

- a) **Zellen bzw. Akku nicht zerlegen, öffnen oder zerdrücken.**
- b) **Akku nicht kurzschließen. Akkus nicht wahllos in einer Schachtel oder Schublade aufbewahren, wo sie einander kurzschließen oder durch andere leitfähige Materialien kurzgeschlossen werden könnten.** Bei Nichtverwenden des Akkus ist dieses von Metallgegenständen, wie etwa Büroklammern, Münzen, Nägeln, Schrauben oder anderen kleinen Metallgegenständen fernzuhalten, wo sich die Batterieklemmen berühren können. Das Kurzschließen der Batterieklemmen kann Verbrennungen bzw. einen Brand verursachen.
- c) **Zellen bzw. Akkus nicht Hitze oder Feuer aussetzen. Lagerung in direktem Sonnenlicht vermeiden.**
- d) **Akku nicht mechanischen Stößen aussetzen.**
- e) **Im Fall, dass Flüssigkeit aus dem Akku austritt, darf diese nicht in Kontakt mit der Haut oder den Augen kommen. Sollte dies dennoch geschehen, den betroffenen Bereich sofort mit viel Wasser spülen und einen Arzt aufsuchen.**
- f) **Beim Verschlucken einer Zelle oder eines Akkus muss sofort ein Arzt herangezogen werden.**
- g) **Akku sauber und trocken halten.**
- h) **Akkus funktionieren bei normaler Zimmertemperatur (20 °C ± 5 °C) am besten.**
- i) **Beim Entsorgen von Akkus sollten Akkus mit verschiedenen elektrochemischen Systemen voneinander getrennt gehalten werden.**
- j) **Nur mit dem von WORX bezeichneten Ladegerät aufladen. Kein Ladegerät verwenden, dass nicht ausdrücklich für den Gebrauch mit dem Gerät vorgesehen ist.** Ein Ladegerät, das für eine bestimmte Art von Akku geeignet ist, kann bei Verwendung mit einem anderen Akku eine Brandgefahr darstellen.
- k) **Kein Akku verwenden, dass nicht für den Gebrauch mit dem Gerät vorgesehen ist.**
- l) **Akkus von Kindern fernhalten.**
- m) **Die originalen Produktunterlagen zum späteren Nachschlagen aufbewahren.**
- n) **Ordnungsgemäß entsorgen.**

1.2 Informationen zum Landroid®L



WARNUNG–Rasenmäroboter können bei inkorrektVerwendung gefährlich sein.

Lesen Sie die Bedienungsanleitung sorgfältig durch und verstehen Sie deren Inhalt, bevor Sie IhrenRasenmäroboter betreiben.



WARNUNG - Halten Sie einen Sicherheitsabstand wenn der Roboter-Rasenmäher in Betrieb ist.



WARNUNG - Betätigen Sie die Deaktivierungsvorrichtung, bevor Sie am Gerät arbeiten oder die Maschine anheben..



WARNUNG - RASENMÄHROBOTER darf nicht als Transportmittel missbraucht werden..



Nicht im Feuer entsorgen



Batterien können bei falscher Entsorgung in der Wasserkreislauf gelangen und das Ökosystem bedrohen. Entsorgen Sie alte Batterien nicht im unsortierten Haushaltsabfall.



Li-Ion

Akku nicht in den Haushaltsmüll geben. Bringen Sie den leeren Akku zu Ihrer lokalen Sammel- oder Recyclingstelle.



Waschen Sie das Gerät nicht mit einem Hochdruckreiniger.

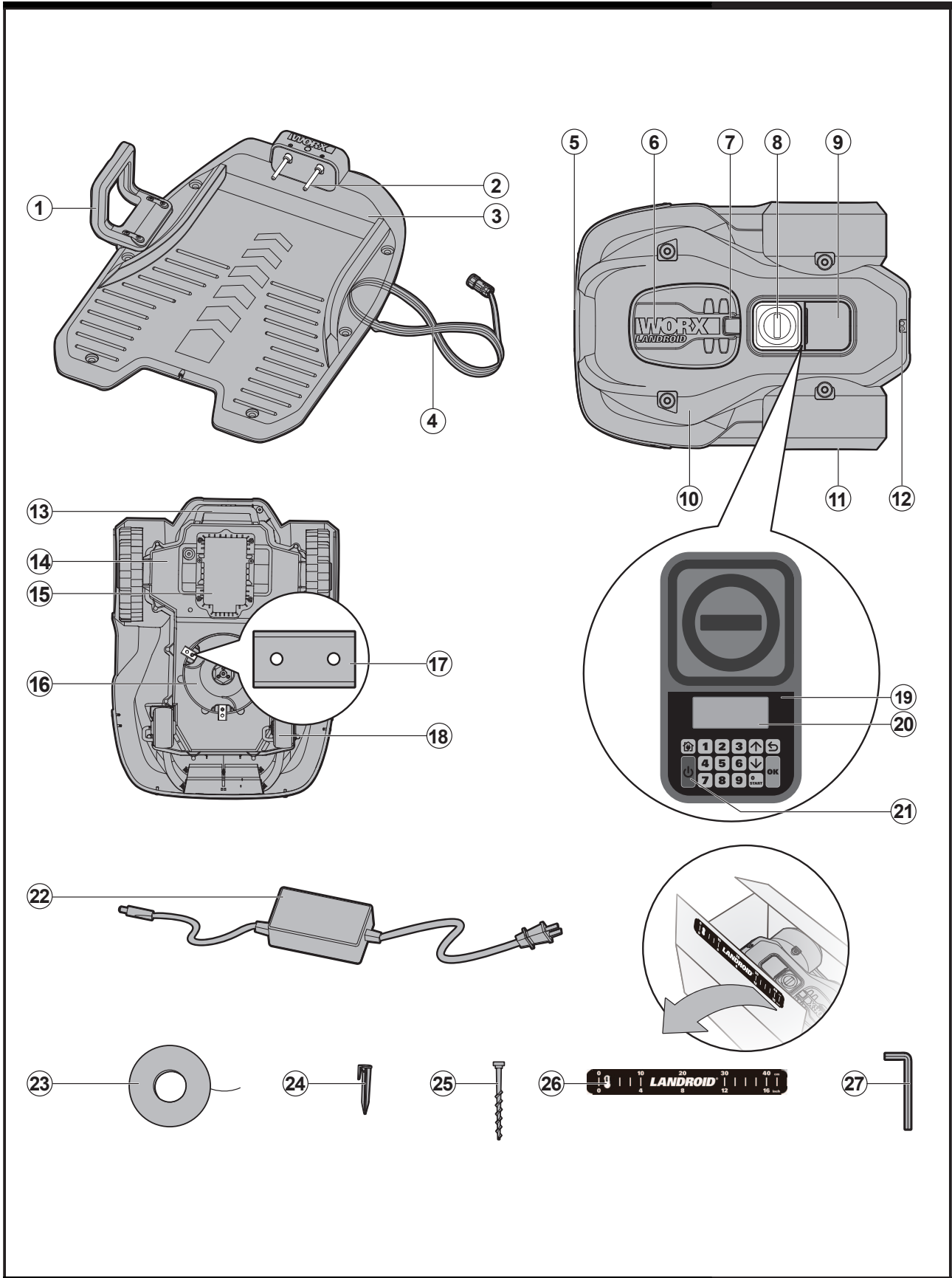


Gerät der Klasse III



Elektroprodukte dürfen nicht mit dem normalen Haushaltsmüll entsorgt werden, sondern sollten nach Möglichkeit zu einer Recyclingstelle gebracht werden. Ihre zuständigen Behörden oder Ihr Fachhändler geben Ihnen hierzu gerne Auskunft.

2. Komponenten



-
- 1. GRIFFSTANGE**

 - 2. KONTAKTSTIFTE**

 - 3. LADESTATION**

 - 4. NIEDERSPANNUNGSKABEL**

 - 5. LADESTREIFEN**

 - 6. ABDECKUNG DER GRASSCHNITTHÖHENVERSTELLUNG**

 - 7. ZUGANGSPUNKT - ZUM ÖFFNEN DER HÖHENEINSTELLUNGSABDECKUNG.**

 - 8. STOPPTASTE**

 - 9. TASTATURFENSTER**

 - 10. Landroid®L MÄHWERK**

 - 11. HINTERES ANTRIEBSRAD**

 - 12. REGENSENSOR**

 - 13. GRIFF**

 - 14. HAUPTGEHÄUSE - ENTHÄLT MOTOR, ELEKTRONIK UND AKKU.**

 - 15. AKKU**

 - 16. MESSERTELLER**

 - 17. MESSER**

 - 18. VORDERRAD**

 - 19. TASTATUR**

 - 20. DISPLAY**

 - 21. EIN-/AUSTASTE**

 - 22. NETZTEIL**

 - 23. BEGRENZUNGSKABEL**

 - 24. HERINGE**

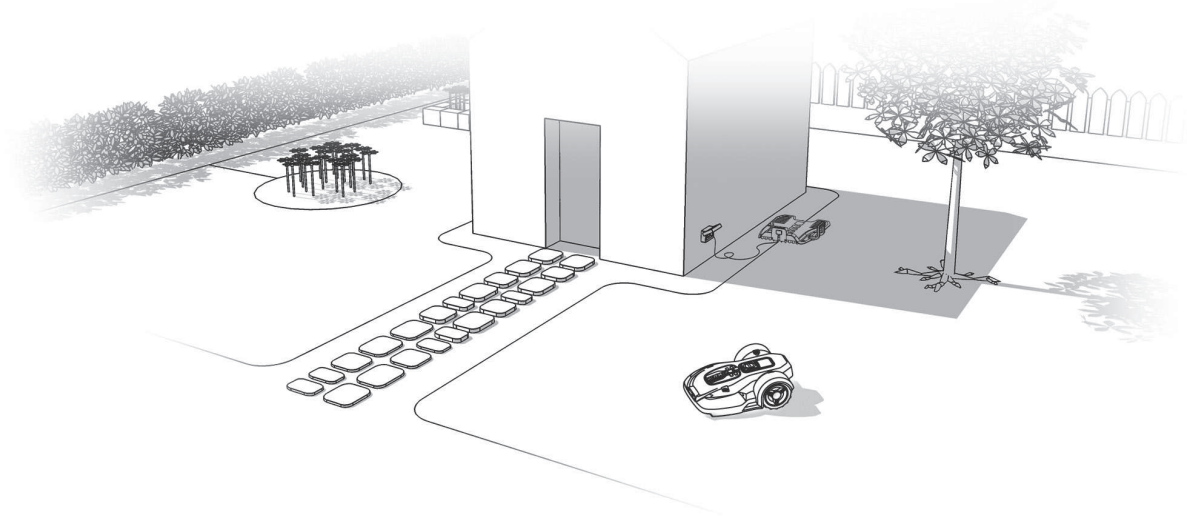
 - 25. LADESTATION-BEFESTIGUNGSSCHRAUBEN**

 - 26. BEGRENZUNGSKABEL-ABSTANDLEHRE**

 - 27. INBUSSCHLÜSSEL**
-

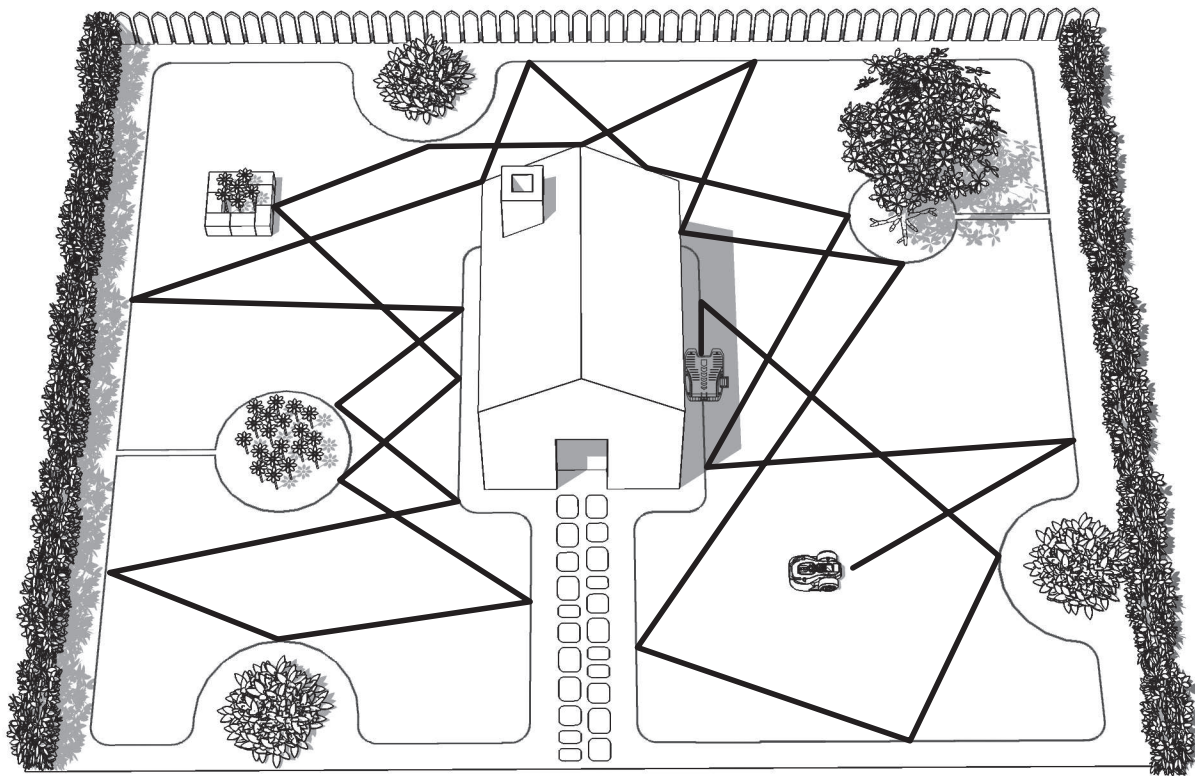
3. Wissenswertes zu Ihrem Landroid® L

Herzlichen Glückwunsch zum Kauf Ihres neuen Landroid® L und willkommen in der komfortablen Welt des automatischen Mähens. Nun möchten wir Ihnen zeigen, wie Ihr Landroid® L funktioniert und denkt.



3.1 Wie weiß mein Landroid® L, wo er mähen soll?

Der Landroid® L wählt seine Richtung nach dem Zufallsprinzip. Dadurch sorgt das Gerät dafür, dass der Rasen gleichmäßig gemäht wird und keine auffälligen Mähwege entstehen (siehe Abbildung A).



A

3.2 Wie weiß mein Landroid®L , wohin er fahren soll?

Ihr Landroid®L kann völlig selbstständig arbeiten. Der Landroid®L weiß, wann er zu seiner Ladestation (3) zurückkehren muss, um aufgeladen zu werden. Er erkennt einsetzenden Regen und kann selbst stoppen, wenn er ein Problem erkennt. Er weiß auch, wie er anhält, zurückfährt und dann umdreht, wenn sein Weg durch ein anderes Objekt blockiert wird. Der Landroid®L stoppt auch die Messerteller (16) automatisch, sobald er angehoben wird, um Unfällen vorzubeugen.

A. Ladestation finden

Wenn Ihr Landroid®L aufgeladen werden muss, stoppt er das Mähen und folgt dem Begrenzungskabel (23) gegen den Uhrzeigersinn zurück zur Ladestation. Der Landroid®L ist vorprogrammiert, um das Gras entlang des Begrenzungskabels einmal wöchentlich zu mähen. Wenn Sie das Gras entlang des Begrenzungskabels zu anderen Zeiten mähen möchten, Öffnen Sie das Tastaturfenster, drücken Sie die Home-Taste, und schließen Sie das Tastaturfenster. Der Landroid®L wird den Mähvorgang starten, das Begrenzungskabel lokalisieren und das Gras entlang des Kabels mähen, während er die Ladestation sucht. Wir empfehlen, dass Sie diese Funktion verwenden, wenn die Akkuleistung mehr als 75% beträgt. Sie können die Akkuleistung im Display überprüfen.

B. Regensensor

Der Landroid®L hat einen Regensensor (12) auf der Seite, der Regentropfen registriert und den Landroid®L anweist, mit dem Mähen aufzuhören und den Begrenzungsdraht entlang zurück zur Ladestation zu folgen (siehe Abbildung B).


Der Landroid®L ist bei Regen über eine verzögerte Startfunktion (0 – 180 Min.) programmierbar. Sollten die Regensensoren nass werden, so kehrt der Landroid®L zurück in seine Docking-Station. Erst wenn die Regensensoren trocken sind, beginnt der Landroid®L mit dem verzögerten Start-Countdown oder fährt umgehend mit dem Mähvorgang fort.

C. Begrenzungskabel erkennen

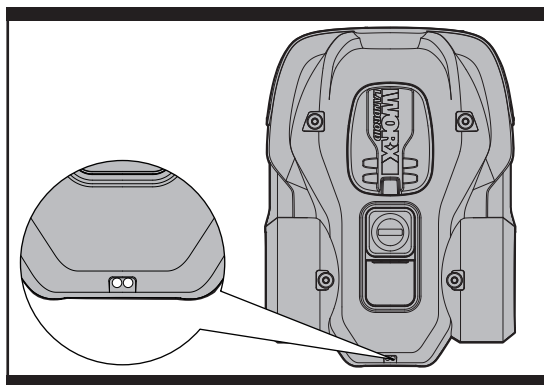
Der Landroid®L hält sich grundsätzlich an die vom Begrenzungskabel vorgegebenen Grenzen; dazu setzt er zwei spezielle Sensoren an seiner Vorderseite ein. Zum Wenden überfährt der Landroid®L das Begrenzungskabel um bis zu 25 cm* (siehe Abbildung C).

*Dies ist ein empfohlener Abstand, . Abstandlehre für die richtigen Entfernungen.

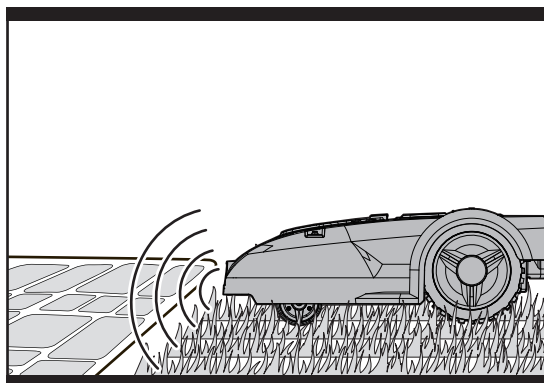
D. Beim Mähen stoppen und wieder starten

Wenn Sie den Landroid®L beim Mähen stoppen möchten, drücken Sie einfach die Zugangstaste (8) am Oberteil. Der Mähvorgang wird nicht wieder gestartet, bis Sie  drücken und das Tastaturfenster geschlossen haben. (siehe Abbildung D,E)

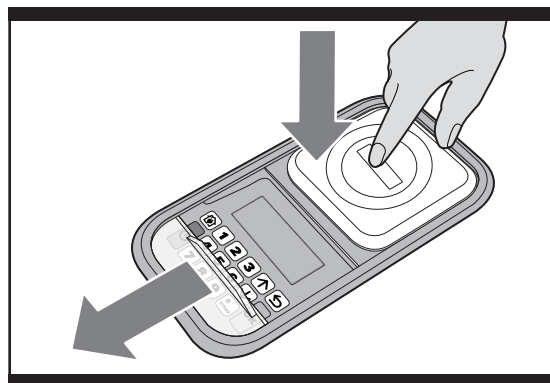
Falls der Landroid®L erkennt, dass etwas nicht stimmt, zeigt er eine Fehlermeldung im Display (20) an und schaltet sich selbst aus, wenn er vom Benutzer innerhalb von 20 Minuten keinen Befehl erhält. (Hinweise zu Fehlermeldungen finden



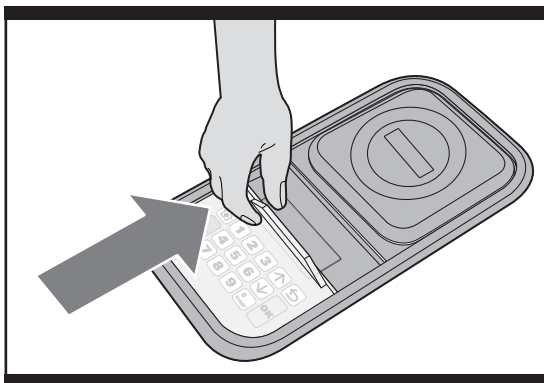
B



C



D





E



Sie in der Programmierungs- und Problemlösungsanleitung.)

Betrieb wiederaufnehmen:

Situation 1: STOP – Automatisches Ausschalten nach 20 Minuten

- Drücken Sie die STOP-Taste
- Öffnen Sie das Tastaturfenster
- Stellen Sie die Taste ON/OFF (21) auf ON
- Drücken Sie die Taste , um das Problem zu beheben
- Drücken Sie erneut die Taste , und schließen Sie das Tastaturfenster
- Der Landroid®L beginnt jetzt mit dem Mähen!

Situation 2: STOP– Ohne automatische Abschaltung

- Drücken Sie die STOP-Taste
- Öffnen Sie das Tastaturfenster
- Drücken Sie die Taste , um das Problem zu beheben
- Drücken Sie erneut die Taste , und schließen Sie das Tastaturfenster
- Der Landroid®L beginnt jetzt mit dem Mähen!

3.3 Welche Fläche kann mein Landroid®L mähen?

Ihr Landroid®L kann Flächen unterschiedlicher Größen mähen; die exakte Fläche hängt natürlich von verschiedenen Faktoren ab – beispielsweise:

- Art und Wachstumsgeschwindigkeit des Rasens
- Schärfe der Messer (17)
- Feuchtigkeit
- Umgebungstemperatur
- Art und Anzahl der Hindernisse im oder auf dem Rasen

Wenn die Umgebungstemperatur an Ihrem Wohnort sehr heiß ist, ist es möglich, dass sich Ihr Landroid®L etwas langsamer auflädt. Auf offenen Flächen mit nur wenigen Hindernissen wie Blumenbeeten, Springbrunnen, Gehwegen und dergleichen verbraucht der Landroid®L weniger Energie.

Sie finden die Standard-Arbeitszeit des Landroid®L für unterschiedliche Rasenflächen im Programmierungshandbuch.

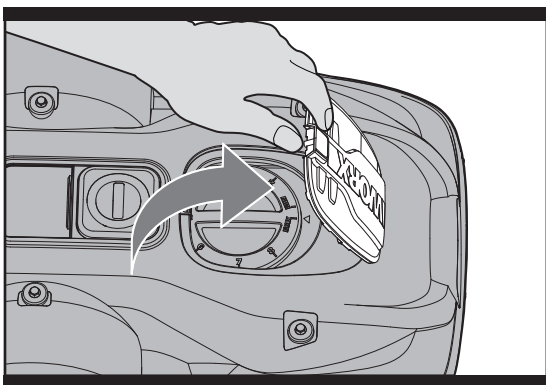
Die Mähdauer fällt wegen der oben erwähnten Faktoren je nach Rasen unterschiedlich aus. Experimentieren Sie ein wenig mit der Zeit, die Sie Ihrem Landroid®L täglich zum Mähen zugestehen, bis Sie die perfekte Vorgabe gefunden haben.

Sie können die Arbeitszeit Ihres Landroid®L nach Ihrem individuellen Zeitplan einstellen – schlagen Sie bitte im Programmierleitfaden nach.

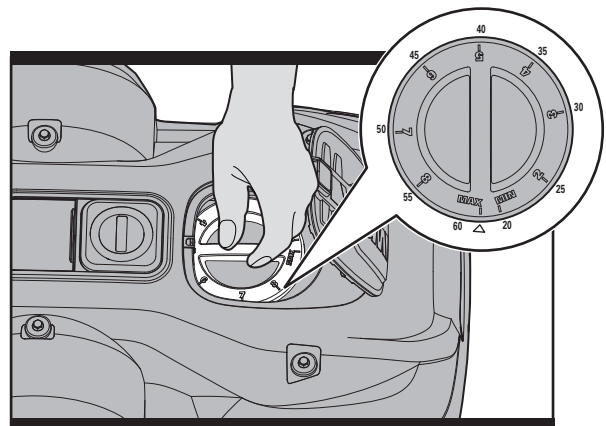
3.4 Wie gut mäht der Landroid®L das Gras?

Die Schnitthöhe des Landroid®L lässt sich zwischen 2 und 6 cm einstellen. Bevor Sie Ihren Landroid®L das erste Mal in Betrieb nehmen, sollten Sie das Gras auf eine Höhe von unter 9 cm schneiden. Öffnen Sie anschließend die ABDECKUNG DER GRASSCHNITTHÖHENVERSTELLUNG (6), und stellen Sie die Schnitthöhe auf das Maximum von 6 cm ein. (siehe Abbildungen F, G).

Ihr Landroid®L mäht am besten bei trockenem Wetter. Ihr Landroid®L mag kein feuchtes Gras, da sich dieses am Messerteller (16) und am Motor sammeln kann; zusätzlich kommt der Landroid®L auf feuchtem Untergrund nur mühsam vorwärts und kommt leichter ins Rutschen.



F



G

Ihr Landroid®L fürchtet Gewitter. Schützen Sie den Landroid®L bei Gewittern, indem Sie den Stecker der Ladebasis (4) ziehen, das Begrenzungskabel trennen(23) und dafür sorgen, dass sich der Landroid®L nicht aufladen darf. Ihr Landroid®L liebt Rasenmähen; vor allem dann, wenn Sie seine Messer (17) stets in gutem Zustand halten. Der Landroid®L kann eine Menge Dinge ganz allein erledigen – allerdings benötigt er manchmal Ihre Hilfe, damit er sich nicht selbst verletzt.

- Lassen Sie den Landroid®L niemals über Kies fahren.
- Entfernen oder blockieren Sie Hindernisse, an denen der Landroid®L aus Versehen hochklettern und seine Messerscheibe beschädigen könnte.
- Befreien Sie Ihren Rasen von sämtlichen Abfällen und Fremdkörpern.

4. Mobile Fernsteuerung (nur bei bestimmten Modellen, bitte sehen Sie in die technischen Daten und Konformitätserklärung)

Ihr Landroid®L kann mit einem Smartphone gekoppelt werden. Alle allgemeinen Einstellungen können auf Ihrem Telefon erfolgen. Es kann auch den allgemeinen Betriebsstatus und sogar Fehlermeldungen anzeigen. Detaillierte Einstellungen finden Sie im Anleitung zur Landroid®L WLAN-Verbindung.

5. Grundlegendes zum Begrenzungskabel

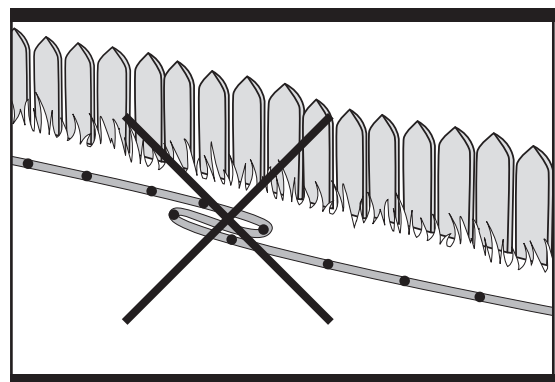
5.1 Begrenzungskabel Abstecken

Mit der Begrenzungskabel-Abstandlehre (26) schaffen Sie den richtigen Abstand zur Rasenkante (mehr als 45 cm *).

*Dies ist ein empfohlener Abstand. Sorgen Sie mit der mitgelieferten Abstandlehre für die richtigen Entfernungen.

Falls Ihr Nachbar ebenfalls einen Landroid®L nutzt, müssen Sie einen Abstand von mindestens 0.5 m zwischen Ihrem Begrenzungskabel und dem des Nachbarn einhalten.

Das Begrenzungskabel muss die Fläche, die gemäht werden soll, exakt umschließen. Ihr Landroid®L kommt durcheinander, wenn er auf zusätzliche Biegungen oder Windungen des Grenzkabels stößt, die nicht zur Mähfläche gehören (siehe Abbildung H). Wenn nach dem Umschließen der Mähfläche noch Begrenzungskabel übrig sein sollte, schneiden Sie das überschüssige Stück ab und lagern es separat. Vergessen Sie aber nicht, beim Abschneiden ein kleines Stück zum Anschluss an die Ladebasis zu verschonen, damit der Anschluss möglich ist, ohne wieder einen Teil des Kabels ausgraben zu müssen.



H

5.2 Begrenzungskabel Eingraben

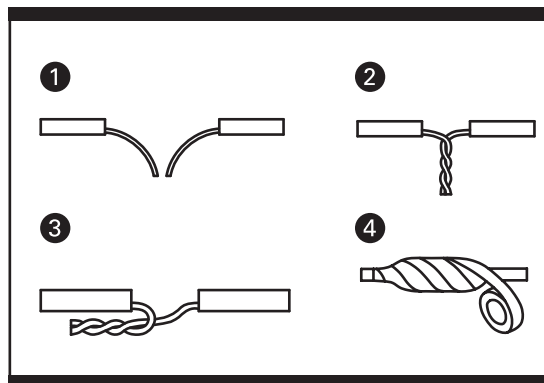
Wenn Sie das Begrenzungskabel eingraben möchten, sollten Sie bedenken: Es kann vorkommen, dass der Landroid®L bei seinem ersten Ausflug in seinem neuen Umfeld auf Schwierigkeiten stößt, die Sie beim Verlegen des Begrenzungskabels nicht bedacht haben. Es wird empfohlen, dass Sie zuerst den Begrenzungsdraht im Rasen festpflocken, damit Sie gegebenenfalls leicht Anpassungen vornehmen können. Dadurch kann sich der Landroid®L an seine neue Umgebung gewöhnen und es wird sichergestellt, dass er erfolgreich mit der Ladestation arbeitet, bevor der Begrenzungsdraht eingegraben wird.

Wenn Sie den Begrenzungsdraht fertig installiert haben, wird empfohlen, dass Sie dem Landroid®L befehlen, dem Begrenzungsdraht zu folgen, indem Sie die Home-Taste drücken.

Wenn Sie zusehen, wie der Landroid®L die Ladestation ansteuert, können Sie anschließend Änderungen an der Route des Begrenzungsdrahts vornehmen, um für ein störungsfreies Verfolgen des Begrenzungsdrahts durch den Landroid®L zu sorgen, wenn dieser die Ladestation ansteuert.

5.3 Begrenzungskabel Verbinden

Des Begrenzungskabel (23) lässt sich problemlos verlängern, indem Sie die Enden aufspießen (also „auseinanderdröseln“) und mit den Enden eines weiteren Kabels verbinden. Die Verbindungsstelle können Sie mit wasserfestem Klebeband sichern. (siehe Abbildung I)



6. Softwareaktualisierung

Ihre Landroid®L-Software kann aktualisiert werden, wenn neue Versionen verfügbar sind. Die Softwareversion wird im Diagnosebildschirm angezeigt, wenn die Taste 2 auf der Startseite gedrückt wird. Die aktuellste Software kann auf unserer Webseite www.worxlandroid.com heruntergeladen werden. Siehe detaillierter Leitfaden auf der Download-Seite. Das beiliegende Handbuch basiert auf der Standardsoftware in der Massenproduktion. Einige neue Merkmale/Funktionen der neuen Version sind in dem Handbuch möglicherweise nicht vorhanden. Wenn Sie Einstellungen finden, die im Handbuch nicht vorhanden sind, besuchen Sie www.worxlandroid.com, um das aktuellste Handbuch herunterzuladen.

7. Wartung

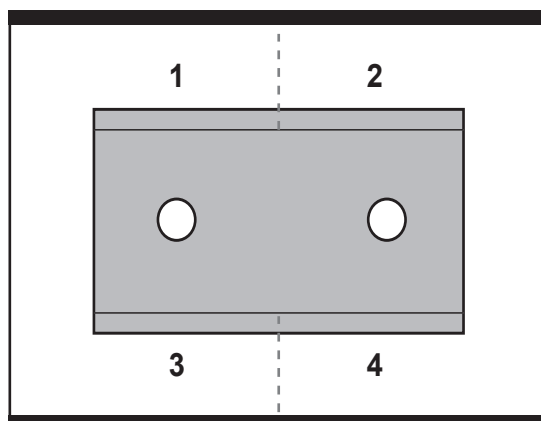
Ihr Landroid®L muss hin und wieder überprüft werden. Der Landroid®L arbeitet hart und verdient daher von Zeit zu Zeit eine ordentliche Reinigung oder einen Austausch von Verschleißteilen. In Folgenden möchten wir Ihnen erklären, wie Sie Ihren neuen Landroid®L am besten an sein neues Umfeld gewöhnen und ihm die Pflege zukommen lassen, die er verdient.

7.1 Immer Schön Scharf

! WARNUNG: Schalten Sie Ihren Landroid®L , ziehen Sie Schutzhandschuhe über, bevor Sie den Landroid®L reinigen, einstellen oder die Messer austauschen!

! WARNUNG! Beim Austausch der Messer Wechseln Sie bei einem Austausch unbedingt grundsätzlich alle Messer auf einmal. Verwenden Sie beim Fixieren der Messer stets neue Schrauben. Das ist wichtig, damit die Messer fest halten. Falls Sie keine neuen Schrauben verwenden, kann dies zu schweren Verletzungen führen.

Der Landroid®L schneidet Gras nicht wie andere Rasenmäher. Seine Messer (17) sind an allen vier Kanten rasiermesserscharf und wirbeln zum perfekten Schnitt in beide Richtungen (siehe Abbildung J). Jedes Messer Ihres Landroid®L ist mit vier Schneiden ausgestattet. Je nachdem, wie häufig der Landroid®L Ihren Rasen mäht, müssen die Messer früher oder später gedreht/umgedreht werden, damit eine neue Schneide ihre Arbeit aufnehmen kann. Falls Ihr Landroid®L den Rasen täglich mäht, sollten Sie die Messer monatlich drehen, damit die Leistung nicht nachlässt. Die einzelnen Messer halten bis zu vier Monate, wenn täglich gemäht wird. Wenn die Messer stumpf und verschlissen sind, sollten sie durch die Ersatzmesser ersetzt werden, die mit Ihrem Landroid®L geliefert wurden. Ersatzmesser erhalten Sie auch beim Worx-Händler in Ihrer Nähe.



J

A. Messer Drehen und Umdrehen

Ihr Landroid®L arbeitet mit Messern, die allesamt mit dem Messerteller(16) verschraubt sind. Die Messer braucht der Landroid®L mehr als alles andere, um seinen Job gut zu erledigen – daher brauchen diese auch etwas Pflege und Aufmerksamkeit. Hin und wieder sollten Sie alle Messer drehen und umdrehen, damit die Schnittleistung möglichst lange erhalten bleibt. Beim Drehen und Umdrehen der Messer beachten Sie unbedingt, dass Sie sämtliche Messer gleichzeitig drehen und umdrehen müssen, damit die Messerscheibe nicht ihre Balance verliert. Falls Sie Ihren Landroid®L täglich einsetzen, sollten die Messer eine ganze Saison lang halten, wenn sie monatlich gedreht und umgedreht werden. Schauen Sie immer nach, ob die Messer angeschlagen oder anderweitig beschädigt sind; falls ja, wechseln Sie die Messer aus.

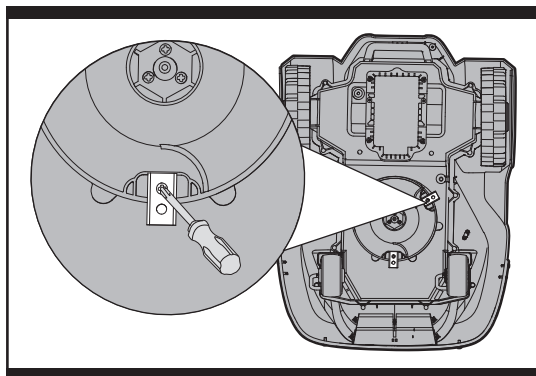
B. Messer Austauschen (siehe Abbildung K)

Nach einer Weile (normalerweise einmal pro Saison) müssen die Messer Ihres Landroid®L komplett ausgewechselt werden. Ihr Landroid®L mäht nicht gerne mit Messern unterschiedlichen Alters und unterschiedlicher Qualität. Tauschen Sie also unbedingt immer alle Messer auf einmal aus. Zum Austausch können Sie einen der drei Ersatzmessersätze und die zusätzlichen Messerschrauben verwenden, die mit Ihrem Landroid®L geliefert wurden.

Vor dem Austausch der Messer schalten Sie den Landroid®L unbedingt ab und ziehen Schutzhandschuhe über! Dann führen Sie diese Schritte aus:

1. Drehen Sie den Landroid®L sanft auf den Rücken.
2. Entfernen Sie die Batterieabdeckung und entnehmen Sie den Akku.
3. Lösen Sie die Messerschrauben mit einem Schlitz- oder schraubendreher.
4. Schrauben Sie die neuen Messer gut fest.
5. Setzen Sie den Akku ein, und bringen Sie die Batterieabdeckung wieder an.

WICHTIG: Überzeugen Sie sich nach dem Verschrauben der Messer, dass sich diese frei drehen lassen.



K

7.2 Sauber Halten

! WARNUNG! Bevor Sie Ihren Landroid®L reinigen, schalten Sie ihn AUS. Ziehen Sie Schutzhandschuhe über, bevor Sie die Messerscheibe (16) reinigen; nutzen Sie dazu kein fließendes Wasser. (siehe Abbildung L)

A. Gehäuse Reinigen

Ihr Landroid®L fühlt sich deutlich wohler und lebt länger, wenn Sie ihn regelmäßig reinigen. Da Ihr Landroid®L im Grunde ein Elektrogerät ist, müssen Sie beim Reinigen mit einer gewissen Sorgfalt vorgehen - verwenden Sie deshalb KEINEN Schlauch oder Hochdruckreiniger bzw. ertränken Sie Ihren Landroid®L nicht mit fließendem Wasser; greifen Sie am besten zu einer mit Wasser gefüllten Sprühflasche. Reinigen Sie das Kunststoffgehäuse mit einer weichen Bürste oder einem Tuch, verzichten Sie auf Lösungsmittel und Polituren (siehe Abbildung L). Achten Sie gut darauf, dass sämtliche Grasreste und sonstige Rückstände gründlich entfernt werden.

B. Unterseite reinigen

Nicht vergessen, ganz wichtig: Schalten Sie den Landroid®L mit der Ein-/Austaste aus, ziehen Sie Schutzhandschuhe über, bevor Sie die Messerscheibe den Messerteller (16) berühren!

Drehen Sie zuerst Ihren Landroid®L um, so dass die Unterseite exponiert wird. Nun sehen Sie den Messerteller, HAUPTGEHÄUSE (14) sowie die Vorderräder (18) und Antriebsräder (11). Reinigen Sie alles gründlich mit einer weichen Bürste oder mit einem feuchten Lappen.

Drehen Sie das Schneidrad um sicherzustellen, dass es frei dreht. Prüfen Sie, dass sich die Klingen problemlos um die Befestigungsschrauben drehen. Beseitigen Sie alle Hindernisse.

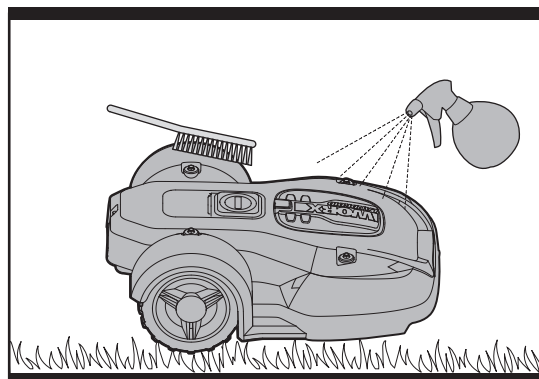
WICHTIG: Entfernen Sie sämtliche (auch die kleinsten) Rückstände, damit es nicht zu Rissen in der Messerscheibe kommt. Auch der winzigste Riss kann die Mähleistung Ihres Landroid®L beeinträchtigen.

C. Kontakte und Ladestreifen Reinigen

Kontakte und Ladestreifen reinigen Ladestation (3) und den Ladestreifen (5) am Landroid®L mit einem Tuch. Entfernen Sie sämtliche Grasreste und sonstige Rückstände rund um die Kontakte und Ladestreifen regelmäßig, damit sich der Landroid®L stets problemlos aufladen kann.

7.3 Akkulaufzeit und -haltbarkeit

Das Herzstück des Landroid®L ist seine 28 V-Lithiumbatterie. Keine Wartung ist notwendig. Für eine ordnungsgemäße Lagerung des Akkus ist sicherzustellen, dass er voll aufgeladen an einem, trockenen Ort



L

The life-span of the Landroid®L's battery depends on various factors, such as: (zwischen 20°C und 60°C) aufbewahrt wird.

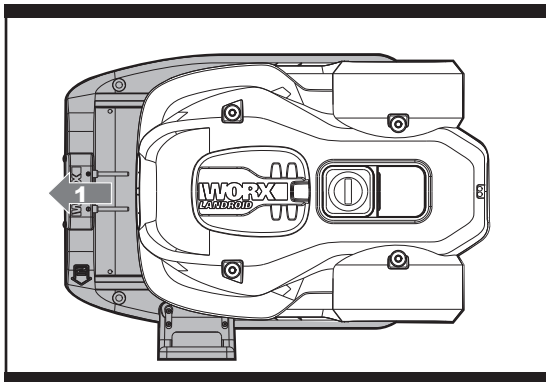
Die Lebenserwartung des Landroid®L-Akkus hängt von unterschiedlichen Faktoren ab; beispielsweise

- Dauer der Schönwetterseason (der „Mähseason“) an Ihrem Wohnort.
- Landroid®L-Arbeitsstunden pro Tag.
- Art und Weise der Akkulagerung.

Landroid®L kann ohne das Begrenzungskabel manuell aufgeladen werden.

So laden Sie den Akku manuell auf, ohne das Begrenzungskabel mit der Ladestation zu verbinden:

- 1. Schließen Sie die Ladestation an eine geeignete Stromversorgung an.**
- 2. Docken Sie den Landroid®L manuell an die Ladestation an, während der Landroid®L ausgeschaltet ist. (siehe Abbildung M1)**
- 3. Die rote LED auf der Ladestation leuchtet auf.**
- 4. Währenddessen wird „Laden“ auf dem Bildschirm angezeigt. (siehe Abb. M2) Landroid®L beginnt mit dem Ladevorgang.**



M1



M2

7.4 Überwintern

Ihr Landroid®L lebt länger und gesünder, wenn Sie ihm einen wohlverdienten Winterschlaf gönnen. Obwohl der Landroid®L ein zäher Bursche ist, sollten Sie ihm im Winter einen Platz im Schuppen oder in der Garage zugestehen.

Bevor Sie Ihren Landroid®L in den Winterschlaf entlassen, sollten Sie noch Folgendes erledigen:

- Reinigen Sie Ihren Landroid®L gründlich.
- Laden Sie den Akku komplett auf.
- Schalten Sie das Gerät ab.

Zum Maximieren der Lebensdauer des Akkus wird empfohlen, den Akku vor dem Lagern im Winter voll aufzuladen.

Das Begrenzungskabel kann im Boden verbleiben; seine Enden sollten Sie jedoch vor der Witterung schützen – zum Beispiel, indem Sie ein mit Fett gefülltes Döschen darüber stülpen. Falls die Ladebasis im Winter draußen verbleibt, lassen Sie das Begrenzungskabel angeschlossen.

HINWEIS: Wenn Sie den Landroid®L wieder aus seinem Winterschlaf erwecken, sorgen Sie dafür, dass die Ladestreifen (5) und die Kontaktstreifen (2) gründlich sauber sind; dies können Sie mit feinem Schleifpapier erledigen. Überzeugen Sie sich dann davon, dass Datum und Uhrzeit stimmen; anschließend lassen Sie den Landroid®L wieder das tun, was er am liebsten mag: Mähen!

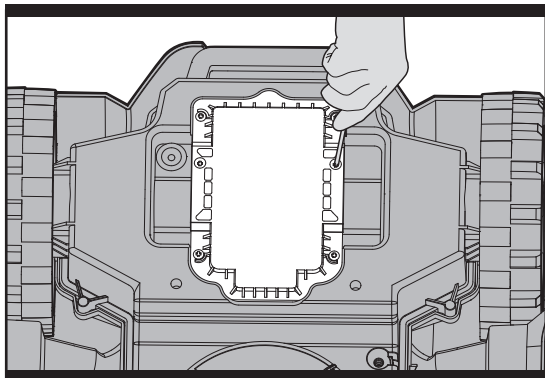
7.5 Akku Austauschen



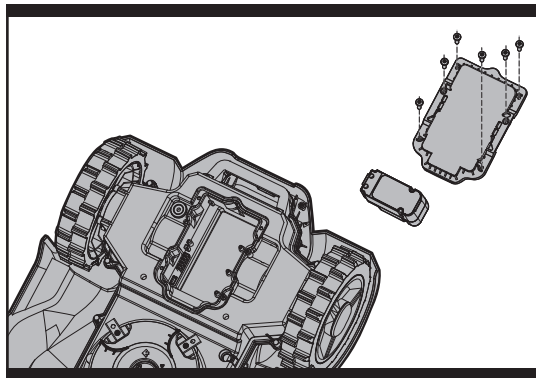
WARNUNG! Schalten Sie das Gerät unbedingt mit der Ein-/Austaste aus, bevor Sie sich Einstellungen, Austausch oder Reparatur zuwenden!

Wenn der Akku ausgetauscht werden muss, erledigen Sie dies mit den folgenden Schritten:

1. Drehen Sie Ihren Landroid®L sanft auf den Rücken.
2. Lösen Sie die Schrauben an der Abdeckung (siehe Abbildung N)
3. Nehmen Sie den alten Akku heraus (siehe Abbildung O)
4. Legen Sie den neuen Akku ein.
5. Ziehen Sie die Schrauben wieder fest an.



N



O

Umweltschutz



Elektroprodukte dürfen nicht mit dem normalen Haushaltsmüll entsorgt werden, sondern sollten nach Möglichkeit zu einer Recyclingstelle gebracht werden. Ihre zuständigen Behörden oder Ihr Fachhändler geben Ihnen hierzu gerne

■ Auskunft.

NOTICE D'ORIGINE

TABLE DES MATIÈRES

1. Instructions de Sécurité	31
1.1 Mises en garde générales et complémentaires	31
1.2 Informations sur le Landroid®L	33
2. Liste des composants	34
3. Principe de fonctionnement du Landroid®L	36
3.1 Comment mon Landroid®L peut-il savoir quels endroits il est censé tondre?	36
3.2 Comment mon Landroid®L peut-il savoir où il est censé aller?	37
A. Recherche du socle de recharge	37
B. Capteurs pluviométriques	37
C. Détection du fil-barrière	37
D. Démarrage et arrêt au cours du travail	37
3.3 Quelle superficie maximale mon Landroid®L est-il capable de tondre?	38
3.4 Quel sera le degré d'efficacité du travail de mon Landroid®L?	38
4. Télécommande Mobile	39
5. Principe de fonctionnement du fil-barrière	39
5.1 Pose du fil-barrière	39
5.2 Enterrement du fil-barrière	39
5.3 Liaison du fil-barrière	40
6. Mise à jour du logiciel	40
7. Entretien	40
7.1 Affûtage	40
A. Rotation et retournement des lames	40
B. Changement des lames	41
7.2 Nettoyage	41
A. Nettoyage du boîtier	41
B. Nettoyage de la partie inférieure	41
C. Nettoyez les broches de contact et les bandes de chargement	41
7.3 Durée de vie de la batterie	42
7.4 Hibernation	42
7.5 Changement de la batterie	43

1. Instructions de Sécurité

1.1 Mises en garde générales et complémentaires



ATTENTION: Lisez toutes les mises en garde et toutes les instructions. Le non-respect des mises en garde et des instructions peut être à l'origine d'électrocutions, d'incendies et/ou de blessures graves.

Lisez attentivement le manuel d'utilisation afin d'utiliser l'appareil d'une manière sécurisée.

Gardez le mode d'emploi et les mises en garde pour pouvoir vous y référer ultérieurement.

- Cet appareil n'est pas conçu pour être utilisé par des personnes aux capacités physiques, mentales, sensorielles réduites, ou manquant d'expérience et de connaissances (y compris les enfants), sauf si une personne responsable de leur sécurité leur a donné les indications nécessaires ou les surveille pendant l'utilisation.
- Il convient de surveiller les enfants pour s'assurer qu'ils ne jouent pas avec l'appareil.
- L'appareil ne doit être utilisé qu'avec l'alimentation fournie avec celui-ci.

IMPORTANT

LISEZ ATTENTIVEMENT LE MODE D'EMPLOI AVANT D'UTILISER L'APPAREIL

CONSERVEZ-LE POUR RÉFÉRENCE ULTÉRIEURE

PRATIQUES DE TRAVAIL SÛRES

Apprentissage

- a) Lisez attentivement le mode d'emploi. Vous devez impérativement comprendre les instructions et vous familiariser avec les contrôles et le mode d'utilisation de l'appareil.
- b) Ne laissez en aucun cas l'appareil à un enfant ou à une personne n'ayant pas pris connaissance du mode d'emploi. Les réglementations locales définissent parfois des limites d'âge pour l'utilisateur.
- c) L'utilisateur est responsable des accidents et des dommages causés à d'autres personnes ou à leurs biens.

Préparation

- a) Veillez à ce que le câble périphérique soit correctement installé en suivant les instructions.
- b) Inspectez régulièrement la zone où l'appareil doit être utilisé et enlevez toutes les pierres, tous les bâtons, câbles, os et autres objets étrangers.
- c) Procédez régulièrement à un examen visuel des lames, des boulons de lame et de l'unité de coupe pour vous assurer qu'ils ne sont ni usés, ni endommagés. Afin de préserver l'équilibre de la machine, changez toujours les lames et leurs boulons en même temps.
- d) Sur les appareils comportant plusieurs arbres, veuillez noter que la rotation d'une lame peut entraîner la rotation des autres lames.
- e) ATTENTION: Ne faites jamais fonctionner l'appareil si l'une de ses protections est défectueuse ou si l'un de ses dispositifs de sécurité n'est pas en place.

UTILISATION

1. GÉNÉRALITÉS

- a) Ne faites jamais fonctionner l'appareil si l'une de ses protections est défectueuse ou si l'un de ses dispositifs de sécurité n'est pas en place (ex: les déflecteurs).
- b) N'approchez jamais les mains ou les pieds des parties rotatives, et ne les mettez jamais sous l'appareil. Ne vous mettez jamais en travers de l'ouverture d'évacuation.
- c) Ne soulevez jamais et ne portez jamais une tondeuse dont le moteur est en marche.
- d) Actionnez le dispositif de désactivation de l'appareil.
 - Avant de le débloquer;
 - Avant d'inspecter, de nettoyer ou de travailler sur l'appareil.
- e) Il n'est pas permis de modifier le design d'origine du robot tondeuse. Toute modification effectuée est à vos risques et périls.
- f) Démarrer la tondeuse à gazon robotique conformément aux instructions. Lorsque la touche d'alimentation est allumée, veillez à garder vos mains et pieds loin des lames pivotantes. Ne jamais mettre vos mains ou pieds sous la tondeuse.
- g) Ne jamais soulever la tondeuse à gazon robotique ou la porter tant que la touche d'alimentation est allumée.
- h) Ne laissez en aucun cas la tondeuse à une personne non familiarisée avec l'appareil et son mode d'utilisation.
- i) Ne posez jamais des objets sur le robot ou sur le socle de recharge.
- j) Ne faites jamais fonctionner le robot si le boîtier ou l'une des lames sont endommagés. L'appareil ne doit pas être utilisé si les lames, les vis, les écrous ou les câbles sont endommagés.
- k) Toujours éteindre la tondeuse à gazon robotique lorsque vous n'avez pas l'intention de l'utiliser. La tondeuse à gazon robotique ne peut démarrer que lorsque la touche d'alimentation est allumée et que le code PIN correct a été saisi.

2. MISE EN GARDE COMPLÉMENTAIRE EN CAS DE FONCTIONNEMENT AUTOMATIQUE

- a) Ne laissez pas la machine fonctionner sans surveillance si vous savez que des personnes (notamment des enfants) ou des animaux domestiques se trouvent à proximité.

ENTRETIEN ET RANGEMENT



AVERTISSEMENT! Lorsque la tondeuse est retournée, la touche d'alimentation doit toujours être éteinte.

La touche d'alimentation doit être éteinte pendant tous les travaux sur le châssis de base de la tondeuse, tels que le nettoyage ou le remplacement des lames.

- a) Veillez à ce que tous les écrous, vis et boulons soient bien serrés, afin de vous assurer que l'appareil reste en bon état de marche.
- b) Inspectez le robot tondeuse régulièrement et, par sécurité, remplacez toute pièce usée ou endommagée.
- c) Assurez-vous que les lames et le disque de coupe ne sont pas endommagés. Afin d'assurer l'équilibre des pièces rotatives, changez toujours les lames et les vis en même temps.
- d) Les accessoires de coupe de rechange doivent impérativement être du même type que ceux d'origine.
- e) Rechargez toujours la batterie avec le chargeur fourni par le fabricant. Toute utilisation incorrecte peut être à l'origine d'un choc électrique, d'une surchauffe ou d'une fuite du liquide corrosif de la batterie.
- f) En cas de fuite d'électrolyte et de contact avec les yeux, rincez abondamment avec de l'eau ou un agent neutralisant et appelez les urgences.
- g) Toute réparation sur l'appareil doit s'effectuer d'une manière conforme aux instructions du fabricant.

Déplacer l'appareil

Utilisez l'emballage d'origine pour transporter le robot sur de longues distances.

Pour déplacer l'appareil de ou vers la zone de travail en toute sécurité:

- a) Appuyez sur le bouton STOP pour arrêter la tondeuse.
- b) Vous choisissez un code PIN à quatre chiffres lorsque vous démarrez la tondeuse pour la première fois.
- c) Toujours éteindre la tondeuse à gazon robotique si lorsque vous avez l'intention de la porter.
- d) Portez la tondeuse en la tenant par la poignée située à l'arrière, en dessous. Tenez la tondeuse avec le disque de coupe du côté opposé à vous.



Mises en garde concernant la batterie

- a) **La batterie et les piles secondaires ne doivent pas être ouvertes, démontées ou broyées.**
- b) **La batterie ne doit pas être court-circuitée. Évitez de mettre la batterie en vrac dans une boîte ou dans un tiroir où elles risqueraient de se court-circuiter entre elles ou au contact d'autres objets métalliques.** Après usage, évitez tout contact de la batterie avec d'autres objets métalliques de petite taille (trombones, pièces, clés, clous, vis etc.) susceptibles de court-circuiter les pôles. Un court-circuit entre les pôles de la batterie peut être à l'origine de brûlures ou d'un incendie.
- c) **La batterie ne doit pas être exposée au feu et à la chaleur. Évitez de la ranger à la lumière du soleil.**
- d) **La batterie et les piles ne doivent pas être soumises à des chocs mécaniques.**
- e) **En cas de fuite des piles, évitez tout contact du liquide avec la peau et les yeux. En cas de contact, rincez abondamment la surface touchée avec de l'eau et appelez les urgences.**
- f) **En cas d'ingestion d'une pile ou d'une batterie, appelez immédiatement les urgences.**
- g) **La batterie et les piles doivent rester propres et sèches.**
- h) **La batterie et les piles fonctionnent au mieux de leur capacité dans une température ambiante normale, comprise entre +15°C et +25°C environ.**
- i) **Les batteries fonctionnant avec des systèmes électrochimiques différents doivent être mis au rebut séparément.**
- j) **N'utilisez pas d'autre chargeur que celui spécifié par WORX.** N'utilisez pas d'autre chargeur que celui spécifiquement fourni avec l'appareil. Un chargeur destiné à un type de batterie donné peut être à l'origine d'un incendie s'il est utilisé avec une autre batterie.
- k) **N'utilisez en aucun cas une batterie autre que celle prévue pour cet appareil.**
- l) **La batterie doit être tenue hors de portée des enfants.**
- m) **Gardez la documentation d'origine du produit afin de pouvoir vous y référer ultérieurement.**
- n) **Respectez les procédures de mise au rebut.**

1.2 Informations sur le Landroid® L



ATTENTION - Ce ROBOT TONDEUSE peut être dangereux s'il est utilisé de manière incorrecte.

Avant d'utiliser le ROBOT TONDEUSE pour la première fois, vous devez avoir lu et compris le contenu dans son intégralité



ATTENTION - Restez à distance de la machine pendant qu'elle fonctionne.



ATTENTION – Éteignez la machine avant de la manipuler ou de la soulever.



ATTENTION – Ne pas s'asseoir sur la machine.



Ne pas jeter au feu



Les batteries peuvent entrer dans le cycle de l'eau si elles sont éliminées de façon inappropriée, ce qui peut être dangereux pour l'écosystème. Ne pas éliminer les batteries usagées comme un déchet municipal non trié.



Li-Ion

Les piles doivent être recyclées .Ne jetez pas les piles usagées avec les ordures ménagères.



Ne lavez pas la machine avec un nettoyeur à haute pression

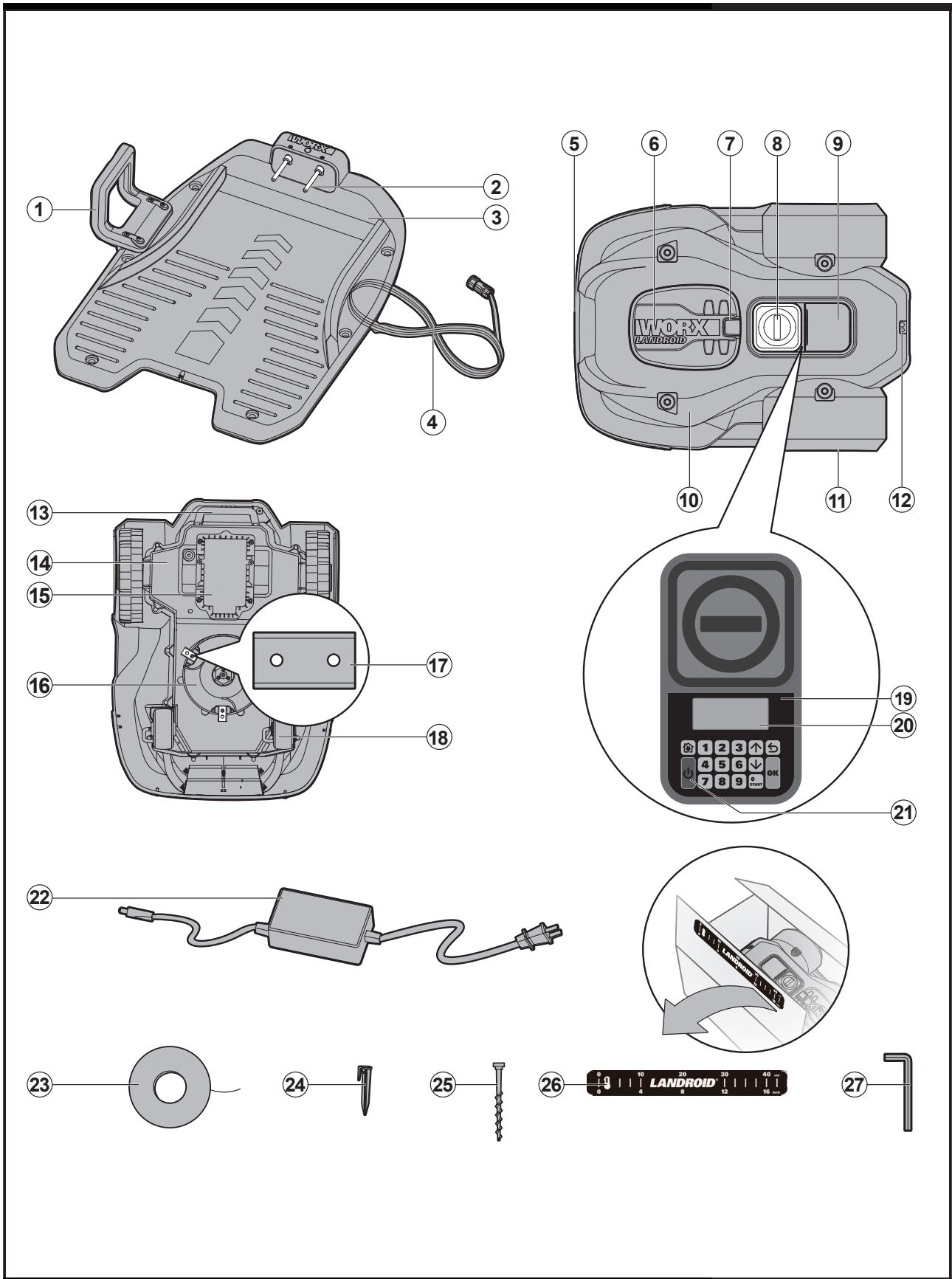


Appareil de classe III



Les produits électriques usagés ne doivent pas être jetés avec les ordures ménagères. Apportez le produit à un endroit où il pourra être recyclé. Pour plus d'informations sur le recyclage, adressez-vous au magasin d'achat ou aux autorités de votre commune.

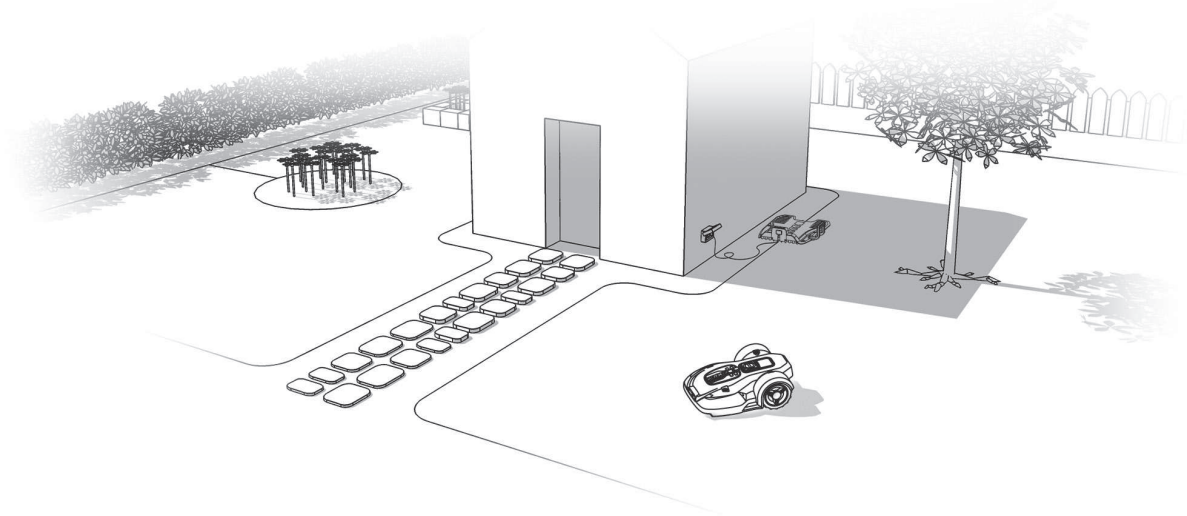
2. Liste des Composants



1. **POIGNÉE**
2. **BROCHES DE CONTACT**
3. **SOCLE DE CHARGEMENT**
4. **CÂBLE BASSE TENSION**
5. **BANDE DE CHARGE**
6. **COUVERCLE D'AJUSTEMENT DE LA HAUTEUR DE COUPE DE L'HERBE**
7. **POINT D'ACCÈS - POUR OUVRIR LE COUVERCLE D'AJUSTEMENT DE LA HAUTEUR.**
8. **BOUTON STOP**
9. **FENÊTRE DU CLAVIER**
10. **STATION Landroid®L**
11. **ROUE MOTRICE ARRIÈRE**
12. **CAPTEUR PLUVIOMÉTRIQUE**
13. **POIGNÉE**
14. **LOGEMENT PRINCIPAL - CONTIENT LE MOTEUR, LE SYSTÈME ÉLECTRONIQUE ET LA BATTERIE.**
15. **BATTERIE**
16. **DISQUE DE COUPE ROTATIF**
17. **LAMES DE COUPE**
18. **ROUE AVANT**
19. **CLAVIER**
20. **ÉCRAN**
21. **BOUTON MARCHE/ARRÊT**
22. **ADAPTATEUR D'ALIMENTATION**
23. **FIL-BARRIÈRE**
24. **CHEVILLES MÉTALLIQUES**
25. **CLOUS DE FIXATION DE LA BASE DE CHARGE**
26. **JAUGE DE DISTANCE DU FIL-BARRIÈRE**
27. **CLEF ALLEN**

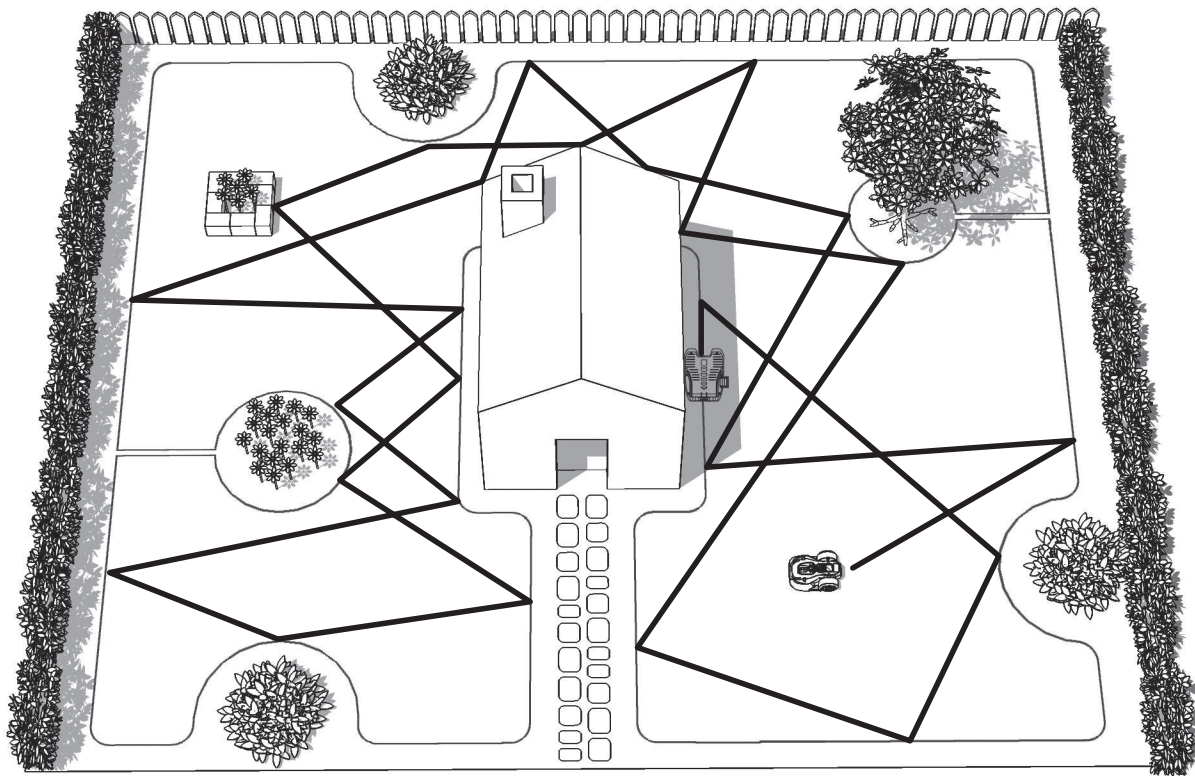
3. Principe de fonctionnement du Landroid® L

Félicitations pour votre achat de ce Landroid® L; avec cet appareil commence pour vous une nouvelle vie dans laquelle votre pelouse se tondra toute seule! Dans cette section, nous vous aiderons à mieux comprendre le mode de fonctionnement du Landroid® L.



3.1 Comment mon Landroid® L peut-il savoir quels endroits il est censé tondre?

Le Landroid® L choisit sa direction au hasard. Grâce à lui, toute votre pelouse sera tondue de manière parfaitement uniforme et sans couloirs disgracieux (voir fig. A).



A

3.2 Comment mon Landroid®L peut-il savoir où il est censé aller?

Le Landroid®L peut fonctionner de manière autonome. La Landroid®L sait lorsqu'elle doit aller sur sa base de chargement (3) pour se recharger, elle peut détecter lorsqu'il pleut et peut s'arrêter en cas de détection d'un problème, et sait s'arrêter, reculer, puis tourner quand elle heurte un obstacle bloquant son chemin ou un autre objet. D'autre part, afin de prévenir tout risque d'accident, le disque de coupe s'arrête(16) automatiquement lorsque le Landroid®L est soulevé.

A. Recherche du socle de recharge

Lorsque votre Landroid®L a besoin de se recharger, il cessera de tondre et suivra le câble périphérique (23) dans le sens anti-horaire pour retourner sur son socle de recharge. Landroid®L est préprogrammé pour tondre la pelouse près du câble périphérique une fois par semaine. Si vous souhaitez tondre davantage la pelouse près du câble périphérique, ouvrez la fenêtre du clavier, appuyez sur le bouton d'accueil et fermez la fenêtre du clavier. Landroid®L arrêtera de tondre, repérera le câble périphérique et tondra l'herbe près du câble périphérique pendant qu'il localise le socle de recharge. Nous vous suggérons d'utiliser cette fonctionnalité lorsque la charge de la batterie est supérieure à 75 %. Vous pouvez vérifier la puissance de la batterie sur l'écran.

B. Capteurs pluviométriques

Le Landroid®L dispose d'un Détecteur de pluie (12) sur ses côtés qui détecte les gouttes de pluie et informe le Landroid®L pour arrêter la tonte et suivre le câble délimitant jusqu'à sa base de chargement (voir Fig. B).

Le Landroid®L peut être programmé pour un démarrage différé (0 – 180 minutes) quand il pleut. Lorsque les capteurs de pluie sont humides, le Landroid®L retourne à sa station d'accueil. Ce n'est que lorsque les capteurs de pluie deviennent secs que le Landroid®L commence le compte à rebours avant le démarrage différé ou retourne immédiatement à la tonte. Pour plus de détails, veuillez vous référer au Guide de programmation et de dépannage.

C. Détection du fil-barrière

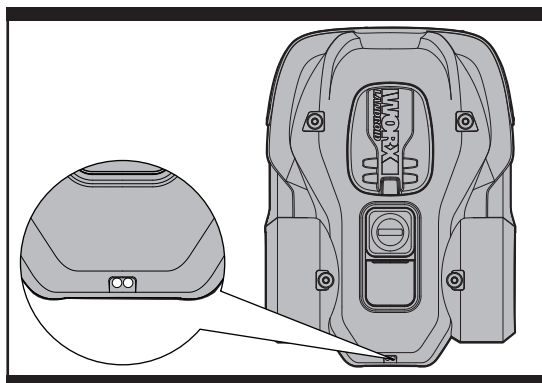
Grâce à ses deux capteurs situés à l'avant, le Landroid®L sait lorsqu'il s'approche du fil-barrière et ne dépasse jamais cette limite. Avant de changer de direction, le Landroid®L franchit le fil-barrière sur une distance d'environ 25 cm*.

* C'est la distance recommandée. Utilisez la jauge de distance fournie pour assurer une bonne installation.

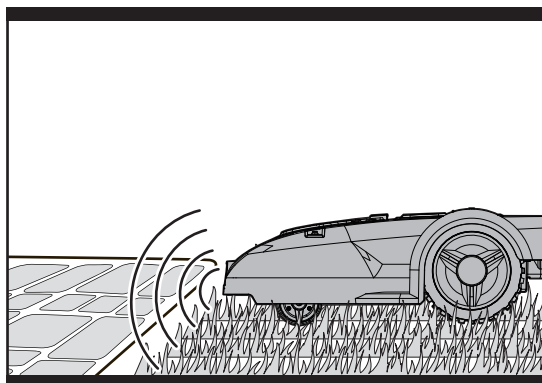
D. Démarrage et arrêt au cours du travail

Si vous souhaitez que le Landroid®L arrête de travailler, il vous suffit d'appuyer la touche d'accès (8) située au-dessus. Il ne commencera pas à tondre tant que vous n'avez pas appuyé sur le bouton **START** et fermé sa fenêtre de clavier (voir fig. D, E)

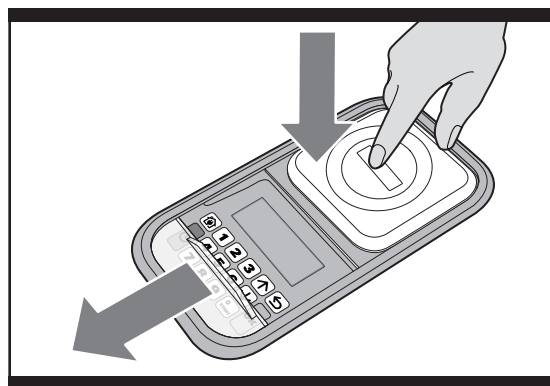
Chaque fois que le Landroid®L détecte un problème, un message d'erreur apparaît à l'écran (20) et s'éteindra automatiquement s'il ne reçoit aucune commande de l'utilisateur dans les 20 mins (Pour plus d'informations sur les messages d'erreur, référez-vous au Guide de dépannage et de programmation).



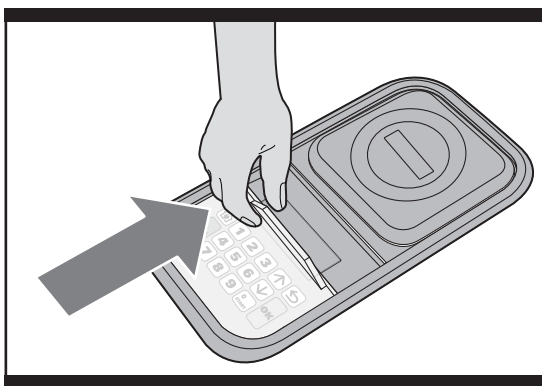
B



C



D




E

Pour Continuer:

Scène 1 : STOP – Arrêt automatique après 20 min

- Appuyez sur le bouton STOP
- Ouvrez la fenêtre du clavier
- Appuyez sur la touche MARCHE/ARRÊT (21) pour l'allumer
- Appuyez sur la touche  pour résoudre le problème
- Appuyez de nouveau sur la touche  et fermez la fenêtre du clavier
- Maintenant, la Landroid®L commencera à tondre !

Scène 2 : STOP– Sans arrêt automatique

- Appuyez sur le bouton STOP
- Ouvrez la fenêtre du clavier
- Appuyez sur la touche  pour résoudre le problème
- Appuyez de nouveau sur la touche  et fermez la fenêtre du clavier
- Maintenant, Landroid®L commencera à tondre !

3.3 Quelle superficie maximale mon Landroid®L est-il capable de tondre?

Le Landroid®L est capable de tondre différentes tailles de superficie; cette superficie dépend cependant de plusieurs facteurs:

- L'espèce d'herbe dont est constituée votre pelouse, ainsi que sa vitesse de croissance
- L'affûtage des lames (17)
- L'humidité
- La température ambiante
- Le nombre d'obstacles dans votre jardin

Si la température ambiante où vous habitez est très chaude, votre Landroid®L peut recharger à un rythme légèrement plus lent. Le Landroid®L consomme moins d'énergie quand il travaille dans un espace ouvert comportant peu d'obstacles (ex: parterres de fleurs, fontaines, allées etc.).

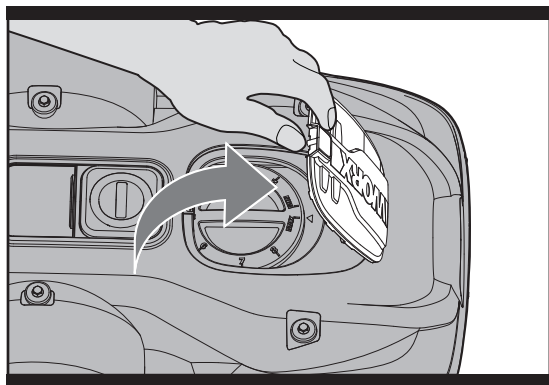
Vous pouvez trouver la durée de travail par défaut du Landroid®L pour différentes tailles de pelouse dans le guide de programmation.

Les durées indiquées peuvent varier selon les facteurs susmentionnés. Ajustez progressivement la durée de travail quotidienne du Landroid®L jusqu'à trouver le réglage qui convient.

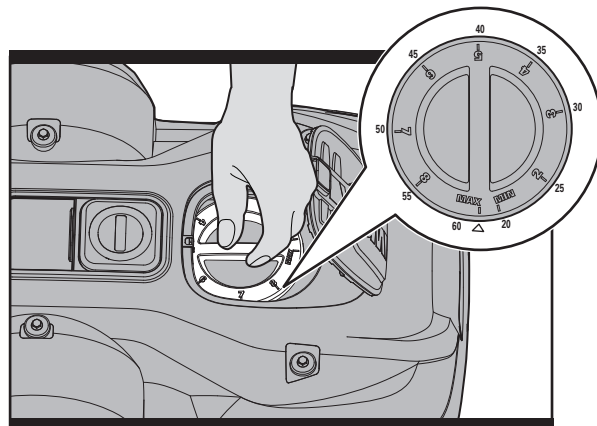
Vous pouvez également programmer le temps de travail du Landroid®L de façon à ce qu'il s'adapte à votre emploi du temps – se reporter au Guide de programmation.

3.4 Quel sera le degré d'efficacité du travail de mon Landroid®L?

La hauteur de coupe du Landroid®L se règle entre 2cm et 6cm. Avant de démarrer votre Landroid®L pour la première fois, vous devrez couper l'herbe à une hauteur n'excédant pas 9 cm. Puis, assurez-vous d'ouvrir le COUVERCLE D'AJUSTEMENT DE LA HAUTEUR DE COUPE DE L'HERBE (6) et réglez la hauteur de coupe à sa hauteur maximale de 6 cm (voir Fig. F, G). Le Landroid®L produit un meilleur travail par temps sec. Il n'aime pas l'herbe mouillée car celle-ci a tendance à s'accumuler sur le disque de coupe (16) et dans le moteur, outre le fait qu'elle peut le faire dévier et glisser.



F



G

Le Landroid®L a peur de la foudre! En cas d'orage, protégez-le en débranchant le socle de recharge (3), en déconnectant le fil-barrière (23) et en vous assurant que le robot n'est pas sur son socle.

Le Landroid®L aime tondre la pelouse et a besoin d'avoir des lames (17) en bon état pour pouvoir mener sa tâche à bien.

Le Landroid®L peut faire la plus grande partie du travail tout seul, mais il aura de temps en temps besoin de votre aide pour éviter de se blesser.

- Ne laissez jamais le Landroid®L rouler sur du gravier
- Enlevez tous les obstacles sur lesquels le Landroid®L risquerait de monter ou qui seraient susceptibles d'abîmer le disque de coupe; ou isolez de tels obstacles.
- Enlevez tous les débris et autres objets étrangers de votre pelouse

4. Télécommande Mobile (uniquement pour un modèle concret, veuillez vérifier les Données techniques et la Déclaration de conformité)

Votre Landroid®L peut être relié à un smartphone. Tous les paramètres généraux peuvent être définis sur votre téléphone. Il indiquera également l'état de fonctionnement actuel, même les erreurs. Pour les paramètres détaillés, veuillez vous reporter au Guide de connexion WiFi du Landroid®L.

5. Principe de Fonctionnement du Fil-barrière

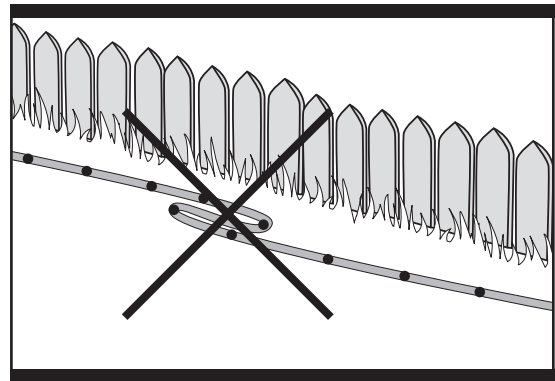
5.1 Pose du fil-barrière

Utilisez la jauge de distance de bord (26) pour régler correctement la distance jusqu'au bord de votre pelouse (Plus de 45 cm *).

* C'est la distance recommandée. Utilisez la jauge de distance fournie pour assurer une bonne installation.

Si votre voisin utilise également un Landroid®L, laissez un espace d'au moins 0.5 m entre le fil-barrière et la propriété voisine.

Le fil-barrière est censé délimiter précisément la surface devant être tondue. Les plis et les tas de fil ne faisant pas partie de la zone de travail sont susceptibles de perturber le fonctionnement du Landroid®L (voir Fig.H). Si vous disposez d'un excédent de fil après avoir délimité le périmètre de coupe, coupez-le et rangez-le dans un endroit à part. Il est cependant important de prévoir une longueur suffisante pour que le fil puisse être correctement relié au socle de recharge tout en étant enterré.



H

39

5.2 Enterrement du fil-barrière

Si vous avez l'intention d'enterrer le fil, veuillez noter que la disposition du fil pourra poser des difficultés au Landroid®L lorsqu'il retournera sur son socle de recharge pour la première fois. Il est recommandé d'arrimer d'abord le fil délimitant au gazon pour qu'il soit facile de faire des ajustements si nécessaire. Ceci permettra au Landroid®L de s'ajuster à son nouvel environnement et garantira qu'il réussira à fonctionner avec sa base de recharge avant que le câble délimitant ne soit enterré.

Lorsque vous avez terminé l'installation du câble périphérique, il est recommandé de demander au Landroid®L de suivre le câble périphérique en appuyant sur le bouton «home».

Tout en observant le Landroid®L localiser la station de charge, vous pouvez apporter des modifications à l'itinéraire du câble périphérique, afin d'assurer un bon dépistage du câble périphérique par le Landroid®L quand il localise la station de charge.

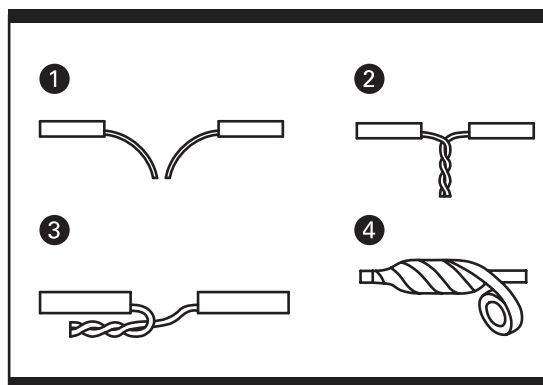
5.3 Liaison du fil-barrière

Le fil-barrière (23) peut être rallongé simplement en épissant le bout et en le reliant au bout d'un autre fil. Vous pouvez utiliser de l'adhésif pour fixer la jointure entre les fils. (voir Fig. I)

6. Mise à jour du logiciel

Votre logiciel Landroid®L peut être mis à jour lorsque de nouvelles versions sont disponibles. La version du logiciel sera affichée sur la page de diagnostic en appuyant sur le bouton 2 de la page d'accueil. La dernière version de logiciel peut être téléchargée depuis notre site Web www.worxlandroid.com. Voir les indications détaillées sur la page de téléchargement.

Le manuel dans la boîte est basé sur le logiciel par défaut de la production de masse. Certaines nouvelles caractéristiques / fonctions de la nouvelle version peuvent ne pas exister dans le manuel. Si vous ne trouvez pas certains paramètres dans le manuel, veuillez consulter www.worxlandroid.com pour télécharger la dernière version de manuel.



7. Entretien

Le Landroid®L doit faire l'objet d'un examen périodique. Le Landroid®L travaille dur, c'est pourquoi vous devez régulièrement le nettoyer en profondeur et changer les pièces usées. Dans cette section, nous vous expliquerons comment prendre soin de votre nouveau Landroid®L de manière à ce qu'il s'adapte parfaitement à sa nouvelle demeure.

7.1 Affûtage

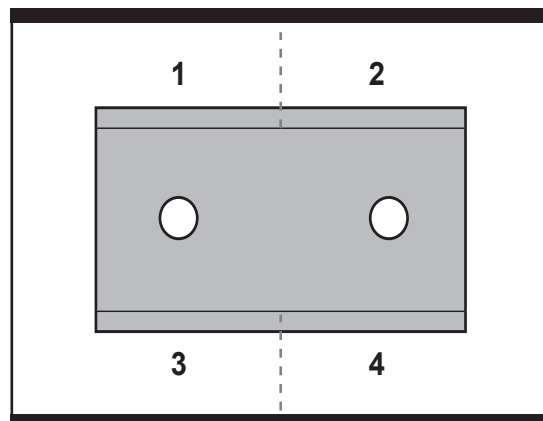
ATTENTION: Avant d'effectuer toute manipulation de nettoyage, de réglage ou de changement des lames, éteignez le Landroid®L, et mettez des gants de protection.

ATTENTION! Pour le remplacement des lames, assurez-vous de remplacer TOUTES les lames à la fois. Utilisez toujours des vis neuves lors du montage des lames. Il est important d'assurer la rétention de la lame. Le fait de ne pas utiliser de vis neuves pourrait entraîner des blessures graves.

Le Landroid®L ne coupe pas l'herbe de la même manière que les autres tondeuses. Ses lames (17) sont tranchantes comme des rasoirs sur leurs 4 bords et tournent dans les deux sens pour une efficacité de coupe maximale (voir Fig. J). Chaque lame de votre Landroid®L a 4 bords coupants. Selon la fréquence que le Landroid®L tond votre pelouse, les lames devront être tournées/retournées périodiquement pour utiliser un nouveau bord coupant. Si votre Landroid®L est programmé pour tondre la pelouse tous les jours, alors les lames devront être tournées tous les mois pour des meilleurs résultats. Chaque lame va durer jusqu'à 4 mois quand il est programmé pour tondre la pelouse tous les jours. Lorsque les lames sont usées et ne coupent plus bien, elles doivent être remplacées par les lames de rechange fourni avec votre Landroid®L. Des lames de rechange sont également disponibles chez votre détaillant Worx le plus proche.

A. Rotation et retournement des lames

Le Landroid®L est équipé de lames, qui sont vissées sur le disque de coupe (16). Les lames sont l'outil dont le Landroid®L a besoin pour faire son travail; elles doivent donc faire l'objet d'un soin particulier. De temps en temps, les lames doivent être retournées en même temps; cela permet d'assurer une coupe parfaite. Lorsque vous retournez les lames, n'oubliez pas d'ajuster toutes les lames en même temps, faute de quoi le disque de coupe risquerait d'être déséquilibré. Si votre Landroid®L travaille en suivant un planning normal (quotidien), les lames doivent durer une saison entière si elles sont retournées tous les mois. Vérifiez chaque fois si les lames sont ébréchées ou endommagées et changez-les le cas échéant.



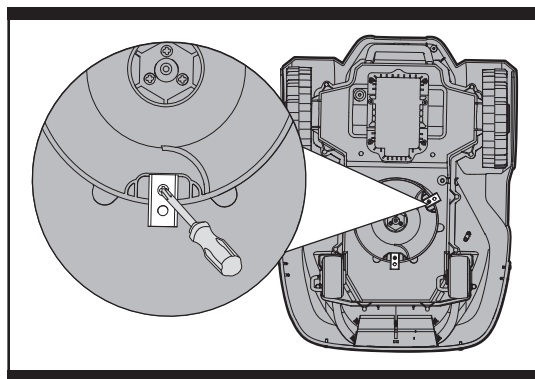
B. Changement des lames (voir Fig. K)

Au bout d'une certaine durée d'utilisation (normalement en fin de saison), les lames du Landroid®L auront besoin d'être changées. Le Landroid®L n'aime pas travailler avec des lames de différents âges et de différents niveaux de qualité, c'est pourquoi il est indispensable de toujours changer toutes les lames en même temps. Vous pouvez utiliser l'un des trois kits de rechange fournis avec le Landroid®L, avec les vis de montage correspondantes.

Avant de changer les lames, coupez le moteur et mettez des gants de protection. Puis procédez de la manière suivante:

1. Retournez délicatement le Landroid®L.
2. Retirez le couvercle de la batterie et la batterie.
3. Dévissez les vis des lames avec un tournevis.
4. Puis fixez solidement les lames neuves.
5. Remontez la batterie et son couvercle.

IMPORTANT: Après avoir vissé les lames sur le disque, assurez-vous qu'elles peuvent tourner librement.



K

7.2 Nettoyage

⚠ ATTENTION! Avant de le nettoyer, éteignez votre Landroid®L . Mettez des gants de protection avant de nettoyer le disque de coupe (16), et ne le lavez pas sous le robinet. (voir Fig. L)

A. Nettoyage du boîtier

Votre Landroid®L fonctionnera mieux et plus longtemps s'il est nettoyé régulièrement. Toutefois, comme votre Landroid®L est une machine électrique, vous devez faire attention lors du nettoyage, de NE PAS UTILISER un tuyau, des nettoyeurs à haute pression ou autre pour faire couler de l'eau sur votre Landroid®L ; il est préférable d'utiliser un vaporisateur rempli d'eau. Pour nettoyer le boîtier en plastique moulé, utilisez un chiffon ou une brosse à poils mous et évitez les solvants et les produits de cirage (voir Fig. L). Enfin, n'oubliez pas d'enlever tous les dépôts d'herbe et autres débris.

B. Nettoyage de la partie inférieure

Une fois encore, vous devez impérativement éteindre le Landroid®L avec le bouton marche/arrêt et mettre des gants de protection avant de toucher le disque de coupe (16).

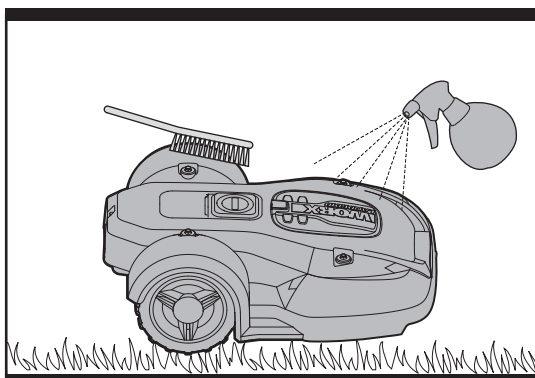
Retournez tout d'abord votre Landroid®L à l'envers pour en exposer sa face inférieure. Repérez le disque de coupe, le boîtier du moteur(14) ainsi que les roues avant (18) et les roues motrices (11). Nettoyez soigneusement toutes ces pièces avec un chiffon mouillé ou une brosse à poils mous.

Faites tourner le disque de coupe pour vous assurer qu'il tourne librement. Vérifiez que les lames tournent librement autour des vis de fixation. Retirez tout obstacle.

IMPORTANT: Enlevez tous les débris accumulés susceptibles de fissurer le disque de coupe. Même la fissure la plus microscopique peut influencer le fonctionnement du Landroid®L de manière importante.

C. Nettoyez les broches de contact et les bandes de chargement

Nettoyer la broche de contact (2) située sur la base de chargement (3) et la bande de chargement (5) situé sur le Landroid®L à l'aide d'un chiffon. Enlevez toute accumulation de débris d'herbe et de débris autour des broches de contact et des bandes de chargement de temps en temps pour vous assurer que le Landroid®L se charge correctement à chaque fois.



L

7.3 Durée de vie de la batterie

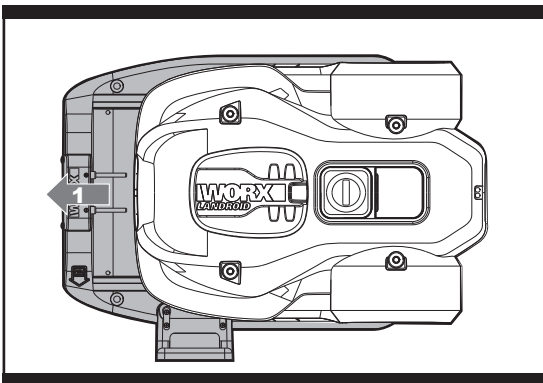
Le cœur du Landroid®L est une Pile de Lithium de 28 V. Aucun entretien n'est nécessaire. Pour un entreposage adéquat de la batterie, assurez-vous qu'elle soit complètement chargée et conservée dans un endroit frais et sec entre (20 °C-60 °C). La durée de vie de la batterie du Landroid®L dépend de plusieurs facteurs:

- La durée de la saison de tonte dans votre région
- Le nombre d'heures que le Landroid®L travaille chaque jour
- L'entretien de la batterie pendant le rangement

Le Landroid®L peut être chargé manuellement sans le câble périphérique.

Pour charger manuellement la batterie sans brancher le câble périphérique à la base de recharge;

- 1. Connectez la base de charge à une source d'alimentation appropriée.**
- 2. Placez manuellement la Landroid®L dans la base de charge alors que la Landroid®L est éteinte. (voir Fig. M1)**
- 3. L'indicateur lumineux rouge de charge s'allumera.**
- 4. Pendant que l'écran indique « charge ». (voir fig. M2) Landroid®L commencera à se charger.**



M1



M2

7.4 Hibernation

Votre Landroid®L fonctionnera mieux et plus longtemps si vous le laissez reposer pendant l'hiver. Bien que le Landroid®L soit un appareil très solide, nous vous recommandons néanmoins de le ranger dans une remise ou dans un garage pendant l'hiver.

Avant de ranger le Landroid®L pour l'hiver, n'oubliez pas:

- de le nettoyer soigneusement
- de recharger complètement la batterie
- de l'éteindre

Pour maximiser la vie de la batterie, il est recommandé de la charger complètement avant de l'entreposer pour l'hiver.

Le fil-barrière peut être laissé par terre, mais il est préférable de protéger les extrémités, par exemple en les mettant dans une boîte de conserve remplie de graisse. Si vous choisissez de laisser le socle de recharge à l'extérieur pendant l'hiver, laissez le fil-barrière relié au socle.

REMARQUE : Lorsque vous redémarrez le Landroid®L après le repos hivernal, nettoyez soigneusement les bornes de recharge (5) et les broches de contact (2) en utilisant de préférence une toile émeri fine. Ensuite, vérifiez l'heure et la date, puis renvoyez le Landroid®L à son travail préféré: tondre la pelouse!

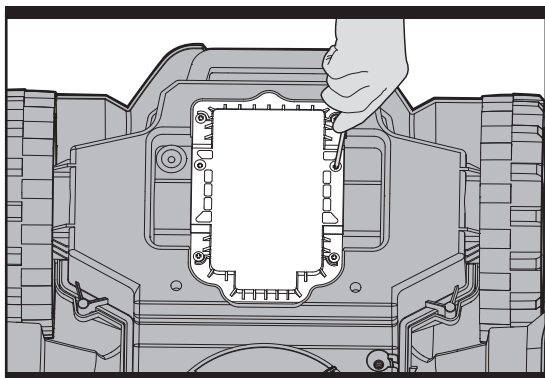
7.5 Changement de la batterie



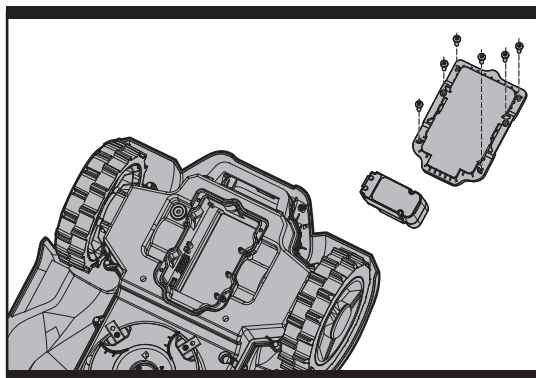
ATTENTION! Mettez le bouton marche/arrêt sur la position arrêt avant d'effectuer toute manipulation de réglage, de changement ou de réparation.

Si vous devez changer la batterie, procédez de la manière suivante.

1. Retournez délicatement le Landroid®L.
2. Enlevez les vis de fixation de la batterie. (voir Fig. N)
3. Sortez la batterie usagée. (voir Fig. O)
4. Insérez la batterie neuve.
5. Remettez les vis en place et serrez-les bien.






N



O

PROTECTION DE L'ENVIRONNEMENT

-  Les déchets d'équipements électriques et électroniques ne doivent pas être déposés avec les ordures ménagères.
-  Ils sont collectés pour être recyclés dans des centres spécialisés. Consultez les autorités locales ou votre revendeur  pour obtenir des renseignements sur l'organisation de la collecte.

ISTRUZIONI ORIGINALI

INDICE

1. Sicurezza del prodotto	45
1.1 Avvisi generali per la sicurezza degli utensili a motore	45
1.2 Simboli su Landroid®L	47
2. Componenti del robot tosaerba	48
3. Per comprendere Landroid®L	50
3.1 Come fa Landroid®L a riconoscere ciò che deve tagliare?	50
3.2 Come fa Landroid®L a sapere dove deve andare?	51
A. Per trovare la base di ricarica	51
B. Sensori pioggia	51
C. Rilevazione del filo perimetrale	51
D. Avvio e arresto durante la tosatura	51
3.3 Quanto può essere grande l'area di tosatura di Landroid®L?	52
3.4 Con che efficienza Landroid®L taglia l'erba?	52
4. Controllo remoto dallo smartphone	53
5. Nozioni di base relative al filo perimetrale	53
5.1 Per fissare il filo perimetrale	53
5.2 Per interrare il filo perimetrale	53
5.3 Per unire il filo perimetrale	53
6. Aggiornamento del software	54
7. Manutenzione	54
7.1 Mantenere affilate le lame	54
A. Ruotare e capovolgere le lame	54
B. Sostituire le lame	54
7.2 Pulizia	55
A. Pulizia del corpo	55
B. Pulizia della scocca	55
C. Pulizia dei pin di contatto e delle strisce di ricarica	55
7.3 Durata della batteria	55
7.4 Rimessaggio invernale	56
7.5 Sostituzione della batteria	56

1. Sicurezza del prodotto

1.1 Avvisi generali per la sicurezza degli utensili a motore



ATTENZIONE: È assolutamente necessario leggere attentamente tutte le istruzioni. Eventuali errori nell'adempimento delle istruzioni qui di seguito riportate potranno causare scosse elettriche, incendi e/o lesioni gravi.

Leggere accuratamente queste istruzioni per usare la macchina in sicurezza.

Conservare tutti gli avvisi e le istruzioni per poterle consultare quando necessario.

- Questo dispositivo non è inteso per l'uso da parte di persone (inclusi i bambini) con capacità fisiche, sensorie o mentali ridotte o con scarsa esperienza e conoscenza del prodotto, a meno che non sia utilizzato sotto la supervisione da parte di persone responsabili per la loro sicurezza.
- I bambini devono essere controllati per garantire che non giochino con il dispositivo.
- Questo dispositivo deve essere utilizzato esclusivamente con l'alimentatore fornito in dotazione.

IMPORTANTE

LEGGERE ATTENTAMENTE PRIMA DELL'USO

CONSERVARE PER RIFERIMENTO FUTURO

PROCEDURE PER UN USO SICURO

Addestramento

- a) Leggere con attenzione le istruzioni. Acquisire familiarità con i comandi e il corretto funzionamento dell'apparecchio.
- b) Non permettere mai ai bambini o alle persone sprovviste delle necessarie competenze di utilizzare l'attrezzo. L'età minima di utilizzo dello stesso può variare a seconda delle diverse normative locali.
- c) Ricordare che l'operatore o l'utente sono responsabili di incidenti o rischi che dovessero verificarsi ai danni di terzi o delle proprietà.

Operazioni preliminari

- a) Accertarsi che il filo perimetrale sia installato correttamente, in base alle istruzioni.
- b) Ispezionare con attenzione l'area in cui si deve utilizzare il robot tosaerba e togliere tutti gli oggetti che potrebbero essere lanciati dal robot tosaerba.
- c) Prima dell'uso, verificare visivamente che le lame, i rispettivi bulloni e il gruppo di taglio non siano usurati o danneggiati. In tal caso, sostituire le lame o i bulloni in blocco per mantenere l'equilibrio.
- d) Su macchine con più lame, prestare attenzione perché ruotando una lama si provoca la rotazione dell'altra lama.
- e) **ATTENZIONE!** Non utilizzare mai il robot tosaerba se le protezioni o i ripari sono danneggiati o senza i gli appositi apparati di sicurezza.

FUNZIONAMENTO

1. GENERALI

- a) Non utilizzare mai il robot tosaerba se le protezioni o i ripari sono danneggiati o senza i gli appositi apparati di sicurezza, come i deflettori e di raccolta erba.
- b) Non avvicinare mani o piedi accanto o sotto le parti rotanti. Nel caso di falciatrici rotative, mantenere costantemente libere le aperture di scarico.
- c) Non raccogliere, né trasportare il robot tosaerba quando è in funzione.
- d) Spegnerne il Landroid®L:
 - Prima di eliminare un'ostacolo,
 - Prima di controllare, pulire o effettuare lavori sul robot tosaerba,
- e) Non è consentito modificare la versione originale di robot tosaerba. Il produttore declina ogni responsabilità per eventuali modifiche non autorizzate.
- f) Avviare il robot tosaerba, come descritto nelle istruzioni. Quando l'interruttore principale è in posizione ON, assicurarsi di tenere mani e piedi lontani dalle lame rotanti. Non infilare mai le mani o i piedi sotto al tosaerba.
- g) Non sollevare né trasportare il robot tosaerba quando l'interruttore principale è in posizione ON.
- h) Non consentire a persone che non conoscono il funzionamento e il comportamento del robot tosaerba, di utilizzarlo.
- i) Non sistemare oggetti sopra al robot tosaerba o alla stazione di ricarica.
- j) Non utilizzare il robot tosaerba se il disco a lame o la scocca presentano difetti. Non utilizzarlo nemmeno se presenta lame, viti, dadi o cavi difettosi.
- k) Spegnerne sempre il robot tosaerba quando non si ha intenzione di utilizzarlo. Il robot tosaerba può avviarsi solo se l'interruttore principale è in posizione ON e se è stato inserito il codice PIN corretto.

2. ULTERIORI INFORMAZIONI QUANDO L'APPARECCHIATURA FUNZIONA IN MODALITÀ AUTOMATICA

- a) Non usare il robot tosaerba in presenza di altre persone, in particolar modo di bambini o di animali domestici.

MANUTENZIONE E CONSERVAZIONE



AVVERTENZA! Se il robot tosaerba viene capovolto, l'interruttore principale deve essere sempre in posizione OFF.

L'interruttore principale deve essere in posizione OFF durante tutti i lavori al sottoscocca del tosaerba, come, ad esempio, la pulizia o la sostituzione delle lame.

- a) Ai fini della sicurezza delle operazioni, accertarsi che tutti i dadi, i bulloni e le viti del robot tosaerba siano saldamente avvitati;
- b) Controllare il robot tosaerba ogni settimana e sostituire le eventuali parti danneggiate o usurate.
- c) Controllare in particolare che le lame e il disco a lame siano integri. All'occorrenza, sostituire tutte le lame e le viti contemporaneamente in modo che le parti rotanti siano bilanciate,
- d) assicurarsi di utilizzare solo ricambi originali;
- e) assicurarsi che le batterie siano caricate utilizzando il caricabatteria corretto consigliato dal costruttore. L'uso non corretto potrebbe causare folgorazioni, surriscaldamento o perdite di liquidi corrosivi dalla batteria;
- f) nel caso di perdite di elettroliti me lavare con acqua/agente neutralizzante, chiedere l'aiuto di un medico nel caso vengano a contatto con gli occhi, ecc;
- g) la manutenzione del robot tosaerba deve essere eseguita seguendo le istruzioni del costruttore.

Trasferimento

Per i trasporti più lunghi, si raccomanda di riporre il robot tosaerba nell'imballaggio originale.

Per un trasferimento sicuro dall'area di lavoro od al suo interno:

- a) Per fermare il tagliaerba premere il tasto STOP.
- b) Si sceglie il PIN a quattro cifre quando si avvia il tagliaerba per la prima volta.
- c) Spegner sempre il robot tosaerba se si ha intenzione di trasportarlo.
- d) Afferrare il robot tosaerba per l'impugnatura presente sul fondo, nella parte posteriore. Trasportare il rasoerba con il disco a lame lontano dal corpo.



Istruzioni per la sicurezza del pacco batteria

- a) **Non smontare, aprire o strappare le celle secondarie o il pacco batteria.**
- b) **Non mettere in corto circuito il pacco batteria. Non conservare il pacco batteria disordinatamente in una scatola o in un cassetto in** potrebbe essere messo in corto circuito da altri oggetti metallici.. Quando il pacco batteria non è in uso, tenerlo lontano da altri oggetti metallici come graffette, monete, chiavi, chiodi, viti e altri piccoli oggetti metallici, perchè potrebbe crearsi un collegamento tra i due terminali. Collegare i terminali della batteria potrebbe causare incendi o ustioni.
- c) **Non esporre il pacco batteria a calore o fuoco. Evitare di conservarlo alla luce diretta del sole.**
- d) **Non sottoporre il pacco batteria a scosse meccaniche.**
- e) **In caso di perdite da una cellula, evitare che il liquido entri in contatto con la pelle o gli occhi. In caso di contatto, lavare l'area interessata con abbondante acqua e consultare un medico.**
- f) **Se si ingerisce una cella o un pacco batteria, consultare immediatamente un medico.**
- g) **Tenere le celle e il pacco batteria puliti e asciutti.**
- h) **Il pacco batteria offre prestazioni ottimali se utilizzate ad una temperatura ambiente normale (20°C ± 5°C).**
- i) **Quando si smaltiscono i pacchi batteria, tenere i pacchi batteria con diversi sistemi elettrochimici separati gli uni dagli altri.**
- j) **Ricaricare solo con la base di ricarica fornita da WORX. Non utilizzare caricabatterie diversi da quelli forniti per l'uso specifico con l'apparecchiatura.** Un caricabatteria non adatto al pacco batteria potrebbe provocare rischi d'incendio.
- k) **Non utilizzare un pacco batteria non progettato per questo prodotto.**
- l) **Tenere il pacco batteria fuori dalla portata dei bambini.**
- m) **Conservare i documenti originali del prodotto per riferimenti futuri.**
- n) **Smaltire adeguatamente.**

1.2 Informazioni su Landroid®L



Avvertenza-In caso di uso improprio, il robot tosaerba può essere pericoloso.

Leggere attentamente le istruzioni per l'uso e comprenderne il significato prima di utilizzare il robot tosaerba



Avvertenza - Tenere gli astanti a distanza di sicurezza.



Avvertenza-Spegnere la macchina prima di manubarla o di sollevarla.



Avvertenza -Non salire sopra il robot tosaerba.



Non gettare nel fuoco



Se smaltite in maniera scorretta, le batterie potrebbero entrare nel ciclo dell'acqua, con conseguenti rischi per l'ambiente. Non smaltire le batterie nei rifiuti generici.



Non smaltire le batterie. Portare le batterie scariche presso un punto locale di riciclaggio o di raccolta.



Non lavare il robot tosaerba con apparecchi ad alta pressione

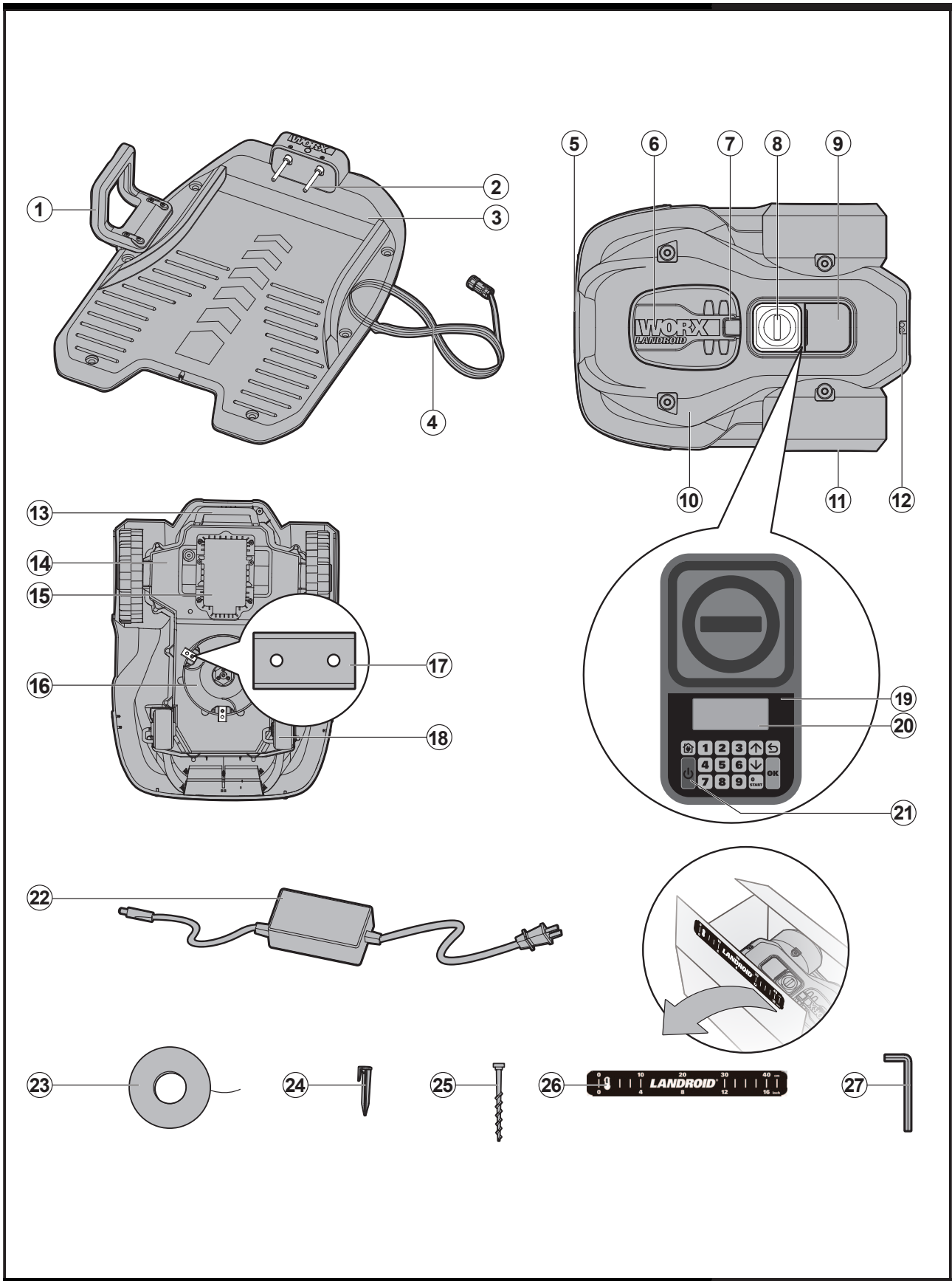


Dispositivo di Classe III



I prodotti elettrici non possono essere gettati tra i rifiuti domestici. L'apparecchio da rottamare deve essere portato al centro di riciclaggio per un corretto trattamento. Controllare con le autorità locali o con il rivenditore per localizzare il centro di riciclaggio più vicino..

2. Componenti del robot tosaerba



-
- 1. MANIGLIA DI PROTEZIONE**

 - 2. PIN DI CONTATTO**

 - 3. BASE DI RICARICA**

 - 4. CAVO DI BASSA TENSIONE**

 - 5. STRISCIA DI RICARICA**

 - 6. COPERCHIO DI REGOLAZIONE DELL'ALTEZZA DI TAGLIO DELL'ERBA**

 - 7. PUNTO DI ACCESSO - PER APRIRE IL COPERCHIO DI REGOLAZIONE DELL'ALTEZZA DI TAGLIO DELL'ERBA.**

 - 8. TASTO STOP**

 - 9. FINESTRA TASTIERA**

 - 10. ELEMENTO TAGLIAERBA**

 - 11. RUOTA POSTERIORE**

 - 12. SENSORE PIOGGIA**

 - 13. MANIGLIA**

 - 14. ALLOGGIAMENTO PRINCIPALE - CONTIENE IL MOTORE, I COMPONENTI ELETTRONICI E LA BATTERIA.**

 - 15. PACCO BATTERIA**

 - 16. DISCO SUPPORTO LAME**

 - 17. LAMA**

 - 18. RUOTA ANTERIORE**

 - 19. TASTIERA**

 - 20. DISPLAY**

 - 21. TASTO ON/OFF**

 - 22. TRASFORMATORE**

 - 23. FILO PERIMETRALE**

 - 24. PICCHETTO FILO PERIMETRALE**

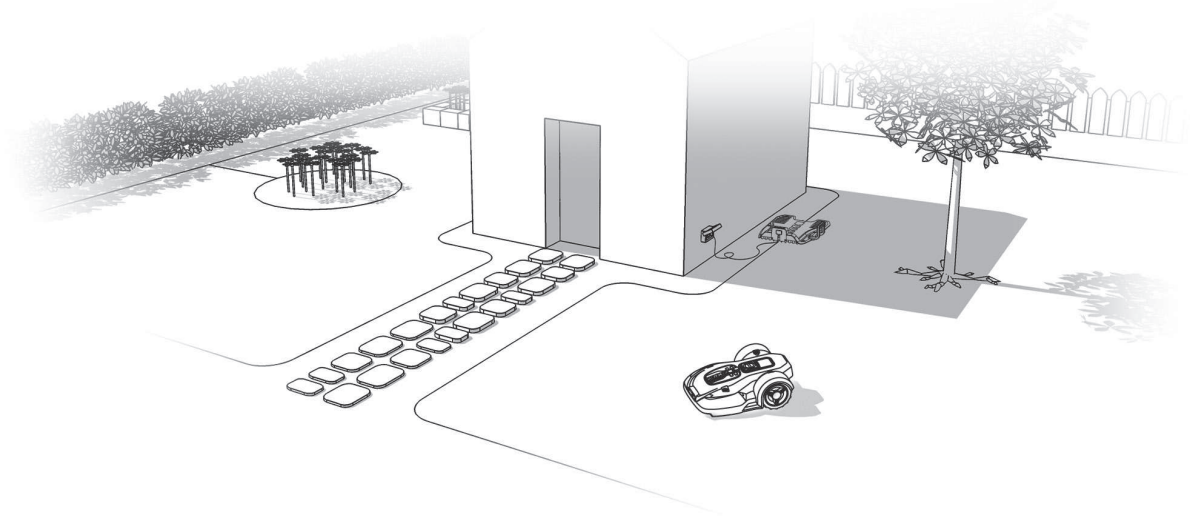
 - 25. CHIODI DI ANCORAGGIO DELLA BASE DI RICARICA**

 - 26. DISTANZIATORE PER IL FILO PERIMETRALE**

 - 27. CHIAVE A BRUGOLA**
-

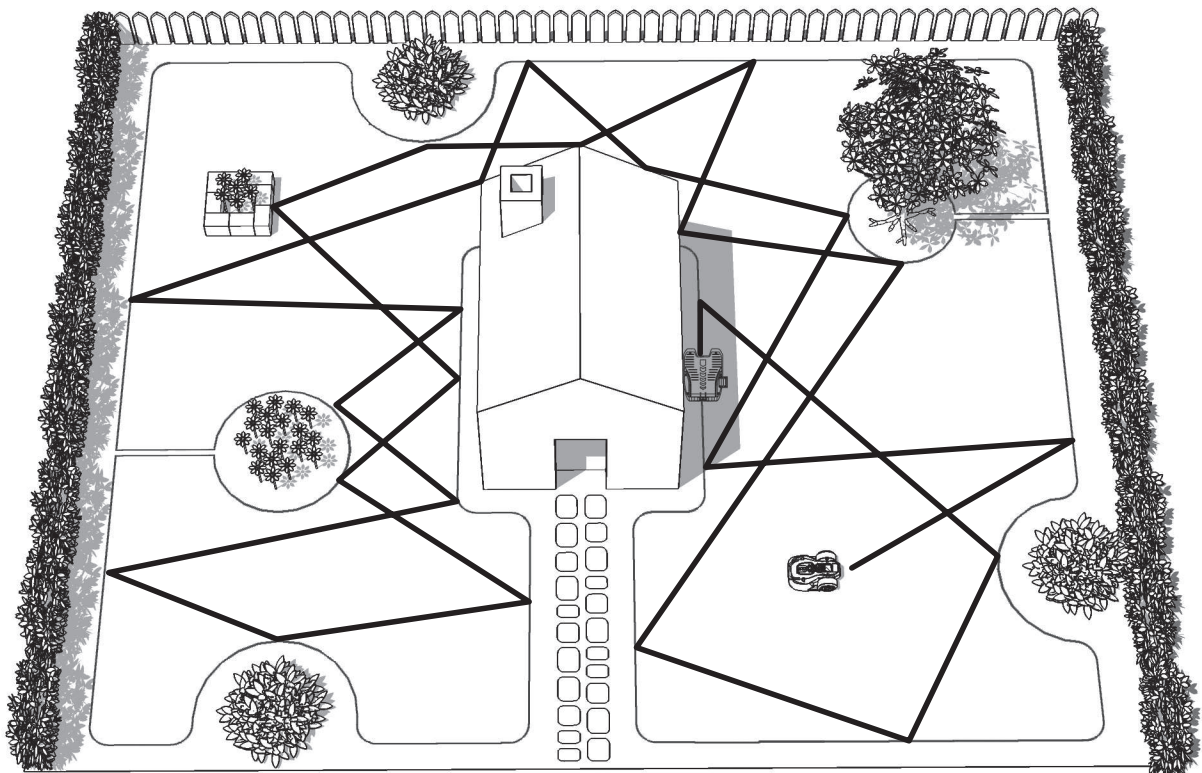
3. Per comprendere Landroid®L

Complimenti per l'acquisto del nuovo Landroid®L e per essere entrati nella spensierata vita della tosatura automatica. Di seguito, vogliamo aiutarvi a capire meglio come pensa Landroid®L.



3.1 Come fa Landroid®L a riconoscere ciò che deve tagliare?

Il Landroid®L sceglie la direzione a caso. Si assicura che tutto il prato venga tagliato uniformemente senza lasciare alcuna striscia di erba poco attraente (vedere la Fig. A).



A

3.2 Come fa Landroid®L a sapere dove deve andare?

Landroid®L è in grado di agire per conto proprio. Landroid®L sa quando deve portarsi sulla propria base di ricarica (3) per fare il pieno di corrente, rileva la pioggia, si arresta se intuisce un problema e quando urta qualcuno o qualcosa che gli ostruisce il percorso, si ferma, fa retromarcia e cambia strada. Landroid®L arresta inoltre automaticamente la rotazione del disco(16) lama se viene sollevato da terra al fine di evitare un incidente.

A. Per trovare la base di ricarica

Quando Landroid®L rileverà la necessità di ricaricarsi, smetterà di tagliare e seguirà il cavo perimetrale (23) in senso anti-orario per tornare alla base di ricarica. Landroid®L è pre-programmato per tagliare l'erba vicino al cavo perimetrale una volta a settimana. Se si desidera tagliare l'erba vicino al cavo perimetrale in altri momenti, aprire la finestra della tastiera, premere il pulsante home e chiudere la finestra della tastiera. Il Landroid®L smetterà di tagliare, individuerà il cavo perimetrale e taglierà l'erba vicino al cavo perimetrale mentre cerca la stazione di caricamento. Si suggerisce di usare questa funzione quando la batteria ha una potenza superiore al 75%. È possibile controllarla sul display.

B. Sensori pioggia

Il Landroid®L è dotato di un sensore per la pioggia (12) laterale sensibile alle gocce di pioggia che dice al Landroid®L di smettere di tosare l'erba e di seguire il cavo di confine fino alla base di ricarica. (vedere le Fig. B).


La funzione di partenza ritardata di Landroid®L (0 – 180 min) può essere programmata quando piove. Quando i sensori pioggia sono bagnati, Landroid®L ritorna alla sua docking station. Solo quando i sensori pioggia si asciugano Landroid®L inizierà il conto alla rovescia impostato per la partenza ritardata, oppure tornerà a falciare immediatamente. Per ulteriori dettagli, consultare la Guida alla programmazione e alla risoluzione dei problemi.

C. Rilevazione del filo perimetrale

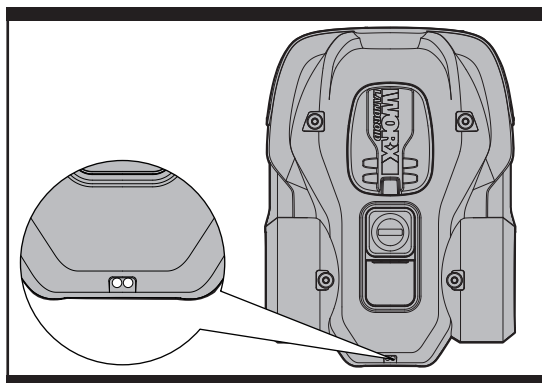
Landroid®L segue sempre il limite impostato dal filo perimetrale e utilizza due sensori nella parte anteriore per rilevare quando si avvicina. Prima di cambiare direzione, Landroid®L supera il filo perimetrale fino a 25 cm* (vedere le Fig. C).

* Questa è la distanza raccomandata. Utilizzare il distanziatore per un'installazione adeguata.

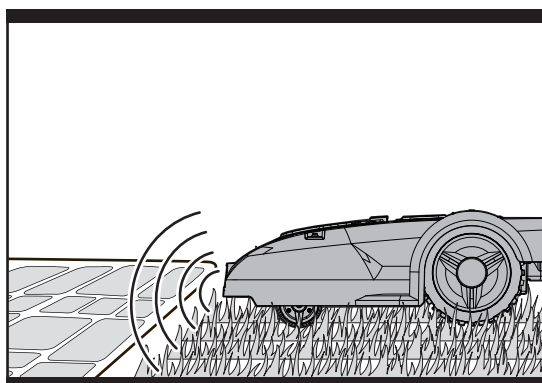
D. Avvio e arresto durante la tosatura

Per comandare a Landroid®L di arrestare la tosatura, basta premere il pulsante di STOP (8) nella parte superiore del tosaerba. Non riprenderà a tagliare l'erba finché non si sarà premuto  e non si sarà chiusa la finestra della tastiera. (vedere le Fig. D, E)

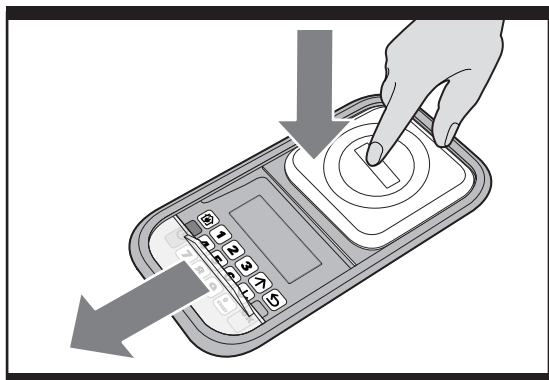
Se il Landroid®L sente che qualcosa è sbagliato sul display compare un messaggio d'errore (20), e se non riceve alcun input dall'utente per 20 minuti si spegne (per informazioni sui messaggi di errore, fare riferimento alla Guida alla programmazione e alla risoluzione dei problemi).



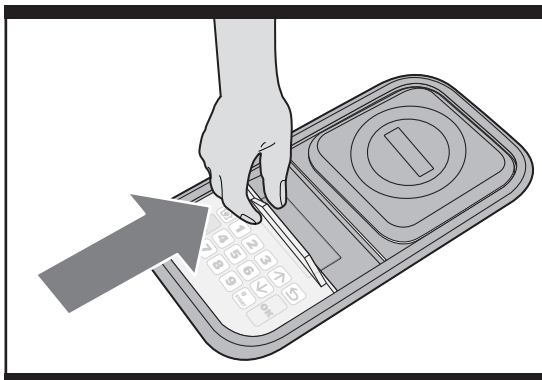
B



C





D



E

Per riavviarlo:

Scena 1: STOP –Spegnimento automatico dopo 20 min

- Premere il pulsante STOP
- Aprire la finestra della tastiera
- Premere il tasto ON/OFF (21) portandolo su ON
- Premere il tasto  per correggere il problema
- Premere di nuovo  e chiudere la finestra della tastiera
- Landroid®L è quindi pronto per iniziare la tosatura!

Scena 2: STOP– Senza spegnimento automatico

- Premere il pulsante STOP
- Aprire la finestra della tastiera
- Premere il tasto  per correggere il problema
- Premere di nuovo  e chiudere la finestra della tastiera
- Landroid®L è quindi pronto per iniziare la tosatura!

3.3 Quanto può essere grande l'area di tosatura di Landroid®L?

Landroid®L è in grado di eseguire la tosatura in aree fino ad aree di dimensioni diverse, sebbene ciò dipenda da vari fattori, tra cui:

- Tipo di erba nel prato e relativo tasso di crescita
- Acutezza delle lame (17)
- Umidità
- Temperatura circostante
- Quantità di ostacoli presenti nel prato

Se la temperatura ambientale è molto calda nella vostra zona è possibile che il vostro Landroid®L si ricarichi più lentamente. Landroid®L utilizza meno energia in aree aperte con una quantità di ostacoli inferiore, come aiuole, fontane, sentieri, ecc... È possibile trovare il tempo di lavoro predefinito di Landroid®L per prati di dimensioni diverse nella guida alla programmazione.

I tempi di tosatura sono diversi per ogni prato in base ai fattori citati in precedenza. Regolare gradualmente i tempi di tosatura di Landroid®L al giorno fino a trovare l'impostazione più adeguata.

Si può anche programmare la durata del funzionamento del Landroid®L in modo che si adatti alle vostre esigenze – fare riferimento alla guida di programmazione.

3.4 Con che efficienza Landroid®L taglia l'erba?

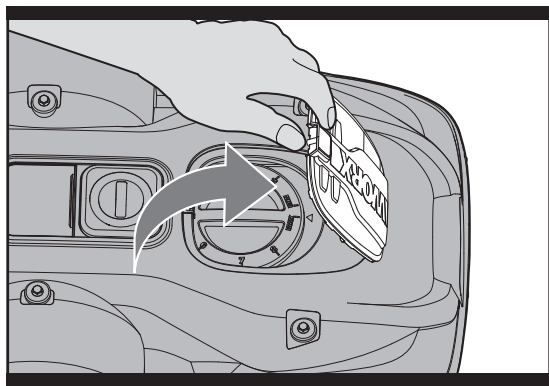
L'altezza di taglio di Landroid®L può essere regolata tra 2 cm e 6 cm. Prima di avviare il Landroid®L per la prima volta tagliare l'erba ad un'altezza non superiore a 9 cm. Assicurarsi di aprire il COPERCHIO PER LA REGOLAZIONE DELL'ALTEZZA DI TAGLIO DELL'ERBA (6) e impostare l'altezza di taglio al valore più alto di 6 cm (vedere le Fig. F, G).

Landroid®L offre prestazioni di taglio ottimali in condizioni climatiche asciutte. Non gradisce l'erba bagnata che può accumularsi sul disco lama (16) e all'interno del motore, causando la mancanza di trazione e lo slittamento durante il lavoro.

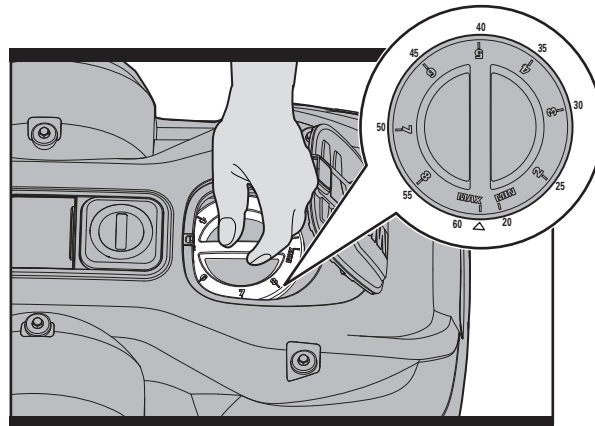
Landroid®L teme i temporali. In caso di temporale, proteggere Landroid®L scollegando la base di ricarica (3), scollegando il filo perimetrale (23) e assicurandosi che Landroid®L non possa caricarsi.

Landroid®L adora tagliare l'erba e, per tagliare meglio, richiede che le sue lame (17) siano tenute in buone condizioni.

Landroid®L è in grado di compiere varie operazioni da solo, ma a volte necessita di aiuto per evitare che si danneggi.



F



G

- Evitare che Landroid®L si muova sulla ghiaia
- Rimuovere o sbloccare gli ostacoli sui quali Landroid®L potrebbe accidentalmente salire e con i quali potrebbe danneggiare il disco lama
- Rimuovere tutti i detriti e i corpi estranei dal prato

4. Controllo Remoto Dallo Smartphone (Solo per il modello specifico, controllare i Dati tecnici e la Dichiarazione di conformità)

Landroid®L può essere collegato a uno smartphone, dal quale è impossibile configurarne tutte le impostazioni generali. Sul display dello smartphone vengono inoltre visualizzati lo stato corrente e perfino gli errori. Per le impostazioni dettagliate, consulta la Guida alla connessione Wifi di Landroid®L.

5. Nozioni di base relative al filo perimetrale

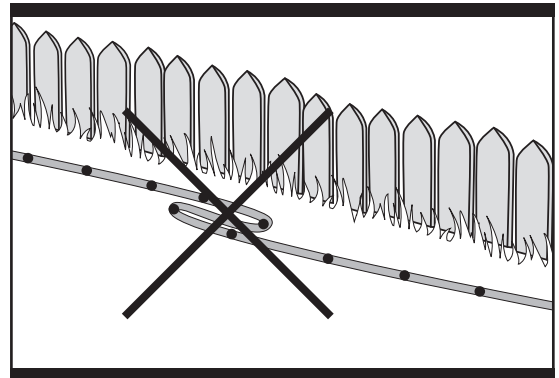
5.1 Per fissare il filo perimetrale

Utilizzare il distanziatore del filo perimetrale (26) per impostare la distanza adeguata dal bordo del prato (Oltre 45cm *).

* Questa è la distanza raccomandata. Utilizzare il distanziatore per un'installazione adeguata.

Se anche i vicini utilizzano un Landroid®L, è necessario mantenere una distanza di almeno 0.5 metri tra il filo perimetrale ed i vicini.

Il filo perimetrale deve delimitare esattamente l'area di taglio prevista. Landroid®L potrebbe confondersi in presenza di altre curve o bobine di filo perimetrale che non fanno parte della sua area di taglio (vedere la Fig. H). In caso di eccesso di filo perimetrale una volta delimitata l'area di taglio, tagliare e conservare il filo in un altro luogo. Tuttavia, è importante lasciare la lunghezza necessaria nel punto in cui si collega alla base di ricarica in modo che possa collegarsi e rimanere interrato.



H

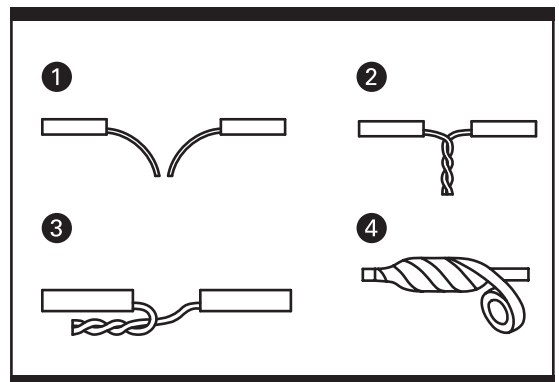
5.2 Per interrare il filo perimetrale

Se si pianifica di seppellire il cavo perimetrale, si noti che, quando entra nella base di ricarica per la prima volta, Landroid®L potrebbe avere problemi a rilevare il filo interrato. Si raccomanda prima di fissare il cavo di confine con le apposite pinze al prato per facilitare eventuali regolazioni che dovessero essere necessarie. Ciò consentirà verificare il funzionamento del Landroid®L nel nuovo ambiente garantendone il funzionamento in relazione alla base si ricarica prima di seppellire il cavo di confine.

Al termine dell'installazione del cavo di confine si raccomanda di chiedere al Landroid®L di seguirlo premendo il tasto Home. Mentre si osserva il Landroid®L che individua la stazione di ricarica si possono fare modifiche alla strada del cavo di confine per assicurarsi che il Landroid®L sia in grado di seguirlo quando torna alla stazione di ricarica.

5.3 Per unire il filo perimetrale

Il filo perimetrale (23) può essere esteso per renderlo più lungo semplicemente congiungendo le estremità e collegandolo alle estremità di un altro pezzo di filo. È possibile utilizzare nastro adesivo per fissare la parte unita del filo. (vedere le Fig. I)



I

6. Aggiornamento del software

Il software di Landroid®L può essere aggiornato quando sono disponibili nuove versioni. La versione del software viene visualizzata nella pagina di diagnostica, premendo il pulsante 2 nella Homepage. L'ultima versione disponibile del software può essere scaricata dal nostro sito web www.worxlandroid.com. Vedere la guida dettagliata alla pagina di download. Il manuale contenuto nella confezione si riferisce al software installato "di serie". Alcune nuove caratteristiche/funzioni disponibili nella nuova versione potrebbero non essere descritti nel manuale. Per le impostazioni non descritte nel manuale contenuto nella confezione, visitare il sito web www.worxlandroid.com per scaricare l'ultima versione del manuale.

7. Manutenzione

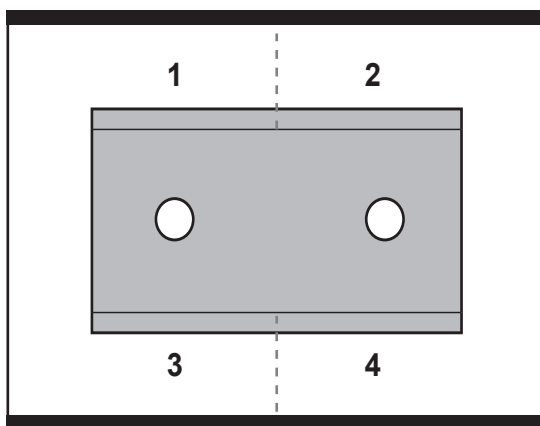
Controllare periodicamente Landroid®L. Landroid®L lavora sodo e dopo un certo periodo di tempo ha bisogno di una buona pulizia e di sostituire le sue parti, le quali potrebbero usarsi. Nella seguente documentazione desideriamo mostrare come lasciar adattare il nuovo Landroid®L alla sua nuova casa offrendogli la migliore assistenza possibile.

7.1 Mantenere affilate le lame

AVVISO: Prima di pulire, regolare o sostituire le lame, spegnere il Landroid®L e indossare dei guanti di protezione.

AVVISO! Per sostituire la lama, assicurarsi di sostituire **TUTTE** le lame ogni volta. Usare sempre viti nuove quando si sistemano le lame. È importante per assicurare che le lame siano fisse. Il non usare viti nuove può provocare serie lesioni.

Landroid®L non taglia l'erba come altri tosaerba. Le sue lame (17) sono affilissime su tutti i 4 lati e ruotano in entrambe le direzioni raggiungendo la massima capacità di taglio (vedere le Fig. J). Ogni lama del Landroid®L ha 4 estremità taglienti. A seconda della frequenza con cui Landroid®L tosa l'erba del giardino e per ottenere un taglio perfetto, le lame devono essere periodicamente capovolte/ruotate. Ad esempio se Landroid®L è programmato per rasare l'erba ogni giorno, le lame devono essere ruotate ogni mese per garantire una tosatura ottimale. Ogni lama durerà 4 mesi se il dispositivo è programmato per tagliare l'erba ogni giorno. Quando le lame sono smussate e usurate devono essere sostituite dalle lame di ricambio fornite con Landroid®L. Le lame di ricambio sono anche disponibili dal rivenditore Worx più vicino.



J

A. Ruotare e capovolgere le lame

Landroid®L dispone di lame, tutte avvitate sul disco lama (16). Le lame sono ciò che consentono a Landroid®L di svolgere il suo lavoro e necessitano di cura e attenzione. Ogni tanto è necessario ruotare e capovolgere contemporaneamente tutte le lame per ottenere un taglio perfetto. Quando si ruotano e capovolgono le lame, assicurarsi che tutte le lame siano regolate contemporaneamente. In caso contrario, potrebbero sbilanciare il disco lama. Qualora Landroid®L tagli con normale frequenza (quotidiana), le lame devono durare una stagione se ruotate e capovolte ogni mese. Verificare sempre se le lame sono scheggiate o danneggiate e sostituirle, se necessario.

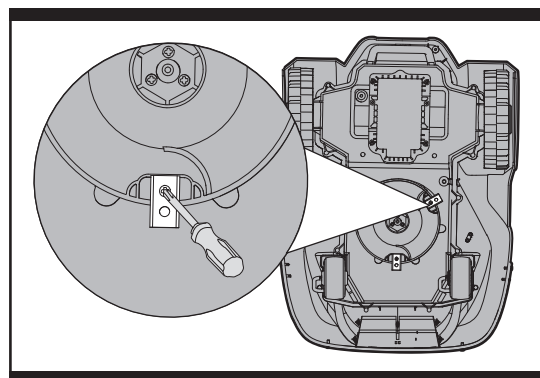
B. Sostituire le lame (vedere le Fig. K)

Dopo un certo periodo di tempo, di solito dopo ogni stagione, le lame di Landroid®L devono essere sostituite. Landroid®L non gradisce eseguire la tosatura con lame di anni e qualità diversi. Pertanto, quando si sostituiscono le lame, assicurarsi di sostituirle tutte contemporaneamente. È possibile sostituirle con uno dei tre kit di lame di ricambio e le viti della lama supplementare in dotazione con Landroid®L.

Prima di tentare di sostituire le lame di Landroid®L, spegnere il tosaerba e indossare guanti protettivi. Quindi attenersi alle seguenti procedure:

1. Capovolgere delicatamente Landroid®L.
2. Rimuovere il coperchio della batteria e rimuovere la batteria.
3. Svitare le viti delle lame con un cacciavite a taglio.
4. Avvitare saldamente le nuove lame.
5. Risistemare la batteria e il coperchio della batteria.

IMPORTANTE: una volta avvitata la lama sul disco lama, assicurarsi che la lama ruoti liberamente.



K

7.2 Pulizia

! AVVISO: prima di eseguire la pulizia, spegnere Landroid®L. Indossare guanti protettivi prima di pulire il disco lama (16) e non utilizzare acqua corrente. (vedere le Fig. L)

A. Pulizia del corpo

Landroid®L dura più a lungo e meglio se pulito periodicamente. Dal momento che il vostro Landroid®L è un apparecchio elettrico dovete fare attenzione quando lo pulite, quindi NON usare una canna, apparecchi ad alta pressione o versare acqua corrente sul Landroid®L, è meglio usare una bottiglia spray piena d'acqua. Per la pulizia dell'alloggiamento in plastica stampo utilizzare una spazzola morbida o un panno pulito ed evitare l'uso di solventi o lucidanti (vedere la Fig. L). Infine, assicurarsi di rimuovere tutto l'accumulo di erba tagliata e di detriti, soprattutto dalle prese d'aria di raffreddamento del motore.

B. Pulizia della scocca

Anche in questo caso, è importante spegnere Landroid®L utilizzando il pulsante On/Off e indossare guanti protettivi prima di toccare il disco lama (16).

Prima capovolgere il Landroid®L per esporne la parte inferiore. Qui si può notare il disco lama, ALLOGGIAMENTO PRINCIPALE(14) e le ruote anteriori (18) e motrici (11). Pulire tutto accuratamente con una spazzola morbida o un panno umido.

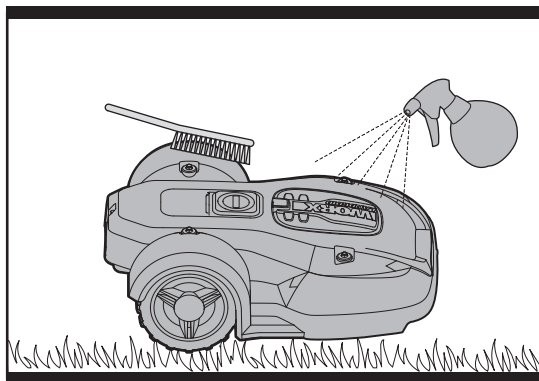
Ruotare il disco della lama per assicurarsi che ruoti liberamente. Controllare che le lame girino liberamente attorno alle viti di fissaggio. Rimuovere qualsiasi ostacolo.

IMPORTANTE: rimuovere i detriti depositatisi in modo che non causino crepe nel disco lama. Anche la più piccola crepa può ridurre la potenza di taglio di Landroid®L.

C. Pulizia dei pin di contatto e delle strisce di ricarica

Pulire con un panno i pin di contatto(2) situati sulla base di ricarica(3) e le strisce di ricarica(5) situate su Landroid®L.

Rimuovere periodicamente tutto l'accumulo di erba tagliata e di detriti intorno ai pin di contatto e alle strisce di ricarica per garantire ogni volta il corretto caricamento di Landroid®L.



L

7.3 Durata della batteria

Il cuore di Landroid®L è costituito da una batteria al litio a 28V. Non occorre manutenzione. Per riporre la batteria in modo corretto, assicurarsi che sia completamente carica e riporta in un luogo asciutto tra (20°C-60°C).

La vita utile della batteria di Landroid®L dipende da vari fattori, tra cui:

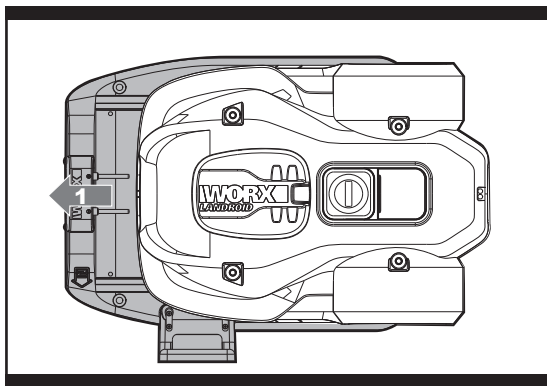
- La durata della stagione di tosatura nella propria regione
- La quantità di ore in cui Landroid®L esegue la tosatura al giorno
- La cura della batteria quando viene conservata

il Landroid®L si può caricare manualmente senza cavo di confine

Per caricare la batteria manualmente senza collegare il cavo di confine alla base di ricarica;

1. Connettere la Base di Ricarica ad una fonte di alimentazione adatta.

2. Mentre Landroid®L è spento, agganciarlo manualmente alla Base di Ricarica. (vedere le Fig. M1)



M1



M2

3. L'indicatore luminoso rosso della base di ricarica si illumina.

4. Mentre sullo schermo compare l'indicazione "In ricarica". (Vedere la Fig. M2) Il Landroid®L incomincerà la ricarica.

7.4 Rimessaggio invernale

Landroid®L dura più a lungo e conserva le prestazioni ottimali se viene riposto al coperto. Perciò, sebbene sia resistente, si consiglia di riporre Landroid®L nella rimessa o nel garage durante l'inverno.

Prima di riporre al coperto Landroid®L, assicurarsi di:

- Pulire accuratamente Landroid®L
- Caricare completamente la batteria
- Spegnerne il tosaerba

Per massimizzare la durata della batteria si raccomanda di caricarla completamente prima di riporre l'attrezzo per l'inverno. Il filo perimetrale può essere lasciato nel terreno, anche se le sue estremità devono essere protette, ad esempio collocandole in una lattina di grasso. Se la base di ricarica viene lasciata fuori durante l'inverno, lasciare il filo perimetrale collegato.

NOTA: Quando si riattiva Landroid®L dal rimessaggio invernale, assicurarsi che le strisce di ricarica (5) e le pin di contatto (2) siano pulite. È meglio utilizzare carta vetrata fine. Assicurarsi quindi che data e ora siano corretti e riportare Landroid®L al suo tanto adorato lavoro: la tosatura.

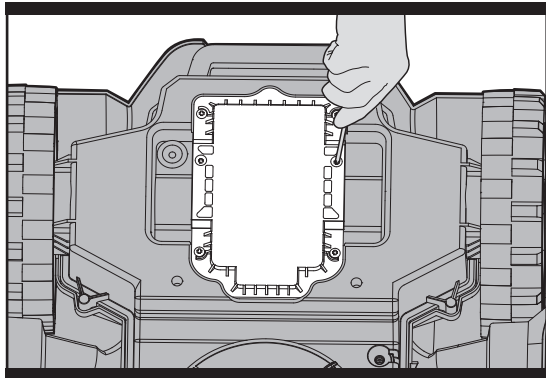
7.5 Sostituzione della batteria



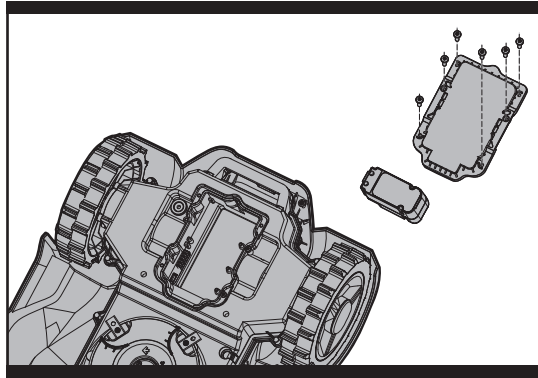
AVVISO! premere il tasto ON/OFF su OFF prima di effettuare qualsiasi regolazione, sostituzione o riparazione.

Per sostituire la batteria, attenersi alle seguenti procedure:

1. Capovolgere delicatamente Landroid®L
2. Rimuovere le viti sulla batteria (vedere le Fig. N)
3. Estrarre la vecchia batteria (vedere le Fig. O)
4. Inserire la nuova batteria
5. Reinserire saldamente le viti





N



O

Tutela Ambientale

 I prodotti elettrici non possono essere gettati tra i rifiuti domestici. L'apparecchio da rottamare deve essere portato al centro di riciclaggio per un corretto trattamento. Controllare con le autorità locali o con il rivenditore per localizzare il  centro di riciclaggio più vicino.


MANUAL ORIGINAL

ÍNDICE

1. Instrucciones de seguridad	48
1.1 Instrucciones generales y adicionales de seguridad	48
1.2 Información sobre el Landroid®L	60
2. Lista de componentes	61
3. Funcionamiento del Landroid®L	63
3.1 ¿Cómo sabe mi Landroid®L qué tiene que cortar?	63
3.2 ¿Cómo sabe mi Landroid®L adónde tiene que ir?	64
A. Encontrar el cargador	64
B. Sensor de lluvia	64
C. Detectar el cable delimitador	64
D. Arrancar y parar el funcionamiento	64
3.3 ¿Cuál es el área máxima de césped que puede cortar el Landroid®L?	65
3.4 ¿Cuál es la eficiencia de mi Landroid®L al cortar el césped?	65
4. Control remoto desde móvil	66
5. Fundamentos del cable delimitador	66
5.1 Fijar el cable delimitador	66
5.2 Enterrar el cable delimitador	66
5.3 Unir el cable delimitador	67
6. Actualización del software	67
7. Mantenimiento	67
7.1 Mantenimiento	67
A. Rotar y voltear las cuchillas	67
B. Sustituir las cuchillas	67
7.2 Manténgalo limpio	68
A. Limpieza del mecanismo	68
B. Limpieza de la parte inferior	68
C. Limpie las patillas de los contactos y las regletas de carga	68
7.3 Duración de la batería	68
7.4 Hibernación	69
7.5 Sustituir la Batería	69

1. Instrucciones de Seguridad

1.1 Instrucciones generales y adicionales de seguridad

 **ADVERTENCIA: Lea todas las advertencias e instrucciones de seguridad. El incumplimiento de las advertencias e instrucciones puede provocar una descarga eléctrica, incendio y/o lesiones graves.**

Lea atentamente las instrucciones para un correcto funcionamiento de la máquina.

Guarde todas las advertencias e instrucciones como referencia para el futuro.

- Este aparato no se ha diseñado para ser utilizado por personas (incluidos niños) con una incapacidad física, sensorial o mental reducida, o falta de experiencia y conocimiento, a menos que una persona responsable de su seguridad les autorice a ello o les proporcione la formación necesaria para usar el aparato.
- No se debe permitir que los niños jueguen con este aparato.
- El aparato solo puede utilizarse con la fuente de alimentación que lo acompaña.

IMPORTANTE

LEA ATENTAMENTE ANTES DE USAR

GUARDE COMO REFERENCIA PARA EL FUTURO

PRÁCTICAS PARA UN CORRECTO FUNCIONAMIENTO

Formación

- a) Lea las instrucciones con atención. Asegúrese que ha entendido las instrucciones y se ha familiarizado con los controles y el uso apropiado del aparato;
- b) No permita que el aparato sea usado por niños o por personas que desconocen las instrucciones. La normativa local puede restringir la edad del operador;
- c) El operador o usuario es responsable de los accidentes o peligros que se produzcan a otras personas o propiedades.

Preparación

- a) Asegúrese de que la instalación del alambre delimitador es correcta y se ha hecho según las instrucciones.
- b) Revise periódicamente el área donde el aparato se va a utilizar y elimine todas las piedras, palos, cables, huesos y otros objetos extraños.
- c) Periódicamente realice una inspección visual para comprobar que las cuchillas, los pernos de la cuchillas y el montaje del equipo de corte no estén desgastados o dañados. Cambie el juego completo de cuchillas y pernos para conservar el equilibrio.
- d) Tenga cuidado con los equipos que presentan un sistema multiteje porque el giro de una hoja puede provocar que las otras hojas también giren.
- e) **ADVERTENCIA!** La cortadora de césped no debe utilizarse sin el protector.

FUNCIONAMIENTO

1. ASPECTOS GENERALES

- a) Nunca haga funcionar el aparato con los protectores defectuosos o sin los dispositivos de seguridad, por ejemplo los deflectores, en su sitio;
- b) No ponga las manos ni los pies cerca o debajo de las partes giratorias. Manténgase alejado de la apertura de descarga en todo momento;
- c) Nunca levante o transporte el aparato con el motor en marcha;
- d) Accionar el dispositivo de desconexión del aparato
 - Antes de despejar un obstáculo;
 - Antes de inspeccionar, limpiar o trabajar con el equipo;
- e) No se permite modificar el diseño original del robot cortacésped. Todas las modificaciones se hacen bajo su propio riesgo.
- f) Ponga en marcha el robot cortacésped según las instrucciones. Cuando se conecte la tecla de encendido, asegúrese de que las manos y los pies se mantengan alejados de las cuchillas en movimiento. Nunca ponga los pies o las manos debajo del cortacésped.
- g) No levante ni transporte el robot cortacésped cuando la tecla de encendido esté conectada.
- h) No permita que el robot cortacésped sea usado por personas que desconocen su funcionamiento.
- i) No ponga nada encima del robot cortacésped o el cargador.
- j) No permita que se use el robot cortacésped con una cuchilla de corte o mecanismo defectuoso. Tampoco se debe utilizar con cuchillas, tornillos, tuercas o cables defectuosos.
- k) Apague el robot cortacésped siempre que no tenga intención de utilizarlo. El robot cortacésped solo podrá arrancar cuando la tecla de encendido esté activada y se haya introducido un código PIN correcto.

2. EN EL CASO DE QUE EL EQUIPO FUNCIONE AUTOMÁTICAMENTE

- a) No deje que el aparato funcione sin vigilancia si sabe que hay animales domésticos, niños o personas en los alrededores.

MANTENIMIENTO Y ALMACENAMIENTO



ADVERTENCIA! Antes de dar la vuelta al cortacésped, debe desconectarse siempre la tecla de encendido.

La tecla de encendido debe estar desconectada siempre que se trabaje en la parte inferior del cortacésped, como al limpiarla o al reemplazar las cuchillas.

- a) Mantenga todas las tuercas, pernos y tornillos apretados para unas condiciones de trabajo seguras.
- b) Por su seguridad inspeccione el robot cortacésped cada semana y sustituya las piezas desgastadas o dañadas;
- c) Compruebe que las cuchillas y el disco de corte no están dañados. Cuando sea necesario cambie las cuchillas y los tornillos al mismo tiempo a fin de que las partes giratorias estén equilibradas.
- d) Asegúrese de que las partes cortantes que se sustituyen son del tipo correcto;
- e) Asegúrese de que las baterías se cargan con el cargador correcto recomendado por el fabricante. El uso incorrecto puede provocar descargas eléctricas, sobrecalentamiento o una fuga del líquido corrosivo de la batería;
- f) En el caso de que se produzca una fuga de electrolito y se mezcle con agua o agente neutralizante, busque ayuda médica si entrara en contacto con los ojos, etc;
- g) La asistencia técnica del equipo se debería realizar de acuerdo con las instrucciones del fabricante.

Transporte

Para el transporte del robot cortacésped a largas distancias, se debe utilizar el embalaje original.

Para un traslado seguro desde o dentro de la zona de trabajo:

- a) Pulse el botón STOP para detener la segadora.
- b) Seleccione los cuatro dígitos del PIN cuando utiliza la segadora por primera vez.
- c) Apague el robot cortacésped siempre que tenga intención de transportarlo.
- d) Lleve el cortacésped por el mango de la parte trasera. Lleve el cortacésped con el disco de corte lejos del cuerpo.



Advertencias de seguridad para la batería

- a) **No desmonte, abra o destruya las pilas o las baterías recargables.**
- b) **No provoque un cortocircuito en la batería. No almacene las baterías de forma descuidada en una caja o cajón donde podría provocar un cortocircuito entre ellas o mediante otros objetos metálicos.**
Cuando la batería no esté siendo utilizada, manténgala alejada de objetos metálicos, como clips de papel, monedas, llaves, clavos, tornillos u otros objetos metálicos pequeños, que pueden posibilitar la conexión de un borne con otro. Al provocar un cortocircuito con los bornes de la batería se pueden sufrir quemaduras o generar un incendio.
- c) **No exponga las baterías al calor o al fuego. No las guarde expuestas directamente al sol.**
- d) **No exponga las baterías a impactos mecánicos.**
- e) **En caso de que la batería tenga fugas de líquido, no permita que el líquido entre en contacto con la piel o los ojos. Si se produce el contacto, lave la zona afectada con grandes cantidades de agua y acuda a un médico.**
- f) **Acuda a un médico inmediatamente si se ha ingerido una pila o una batería.**
- g) **Mantenga las baterías limpias y secas.**
- h) **Las baterías recargables proporcionan mejor rendimiento cuando se utilizan a temperatura ambiente normal (20 °C ± 5 °C).**
- i) **Al eliminar las baterías, mantenga las baterías de distinto sistema electroquímico separadas unas de otras.**
- j) **Recargue solo con el cargador indicado por WORX. No utilice ningún otro cargador que no sea el específicamente proporcionado para el uso con este equipo.** El cargador adecuado para un tipo de baterías puede provocar un incendio si se utiliza con otro tipo de baterías.
- k) **No utilice ninguna batería distinta a la diseñada para utilizarse con el aparato.**
- l) **Mantenga la batería fuera del alcance de los niños.**
- m) **Conserve la documentación original del producto por si tuviera que consultarla en otro momento.**
- n) **Deshágase del producto correctamente.**

1.2 Información sobre el Landroid® L



ADVERTENCIA –EL ROBOT CORTACÉSPED puede ser peligroso si se usa incorrectamente.

Lea con atención el Manual de Usuario y entienda su contenido antes de usar su ROBOT CORTACÉSPED.



ADVERTENCIA - Manténgase a una distancia segura mientras la máquina esté en funcionamiento.



ADVERTENCIA – Apague la máquina antes de trabajar en ella o levantarla.



ADVERTENCIA – No use la máquina como medio de transporte.



No arrojar al fuego



Las baterías pueden entrar en contacto con el ciclo hidrológico si se desechan de forma incorrecta, lo que puede ser peligroso para el ecosistema. No deseché las baterías usadas como un residuo municipal sin clasificar.



Las baterías deben reciclarse. Las baterías gastadas no se deben tirar a la basura, sino que deben entregarse a un centro de recogida o reciclaje municipal.



La máquina utilizando agua a alta presión

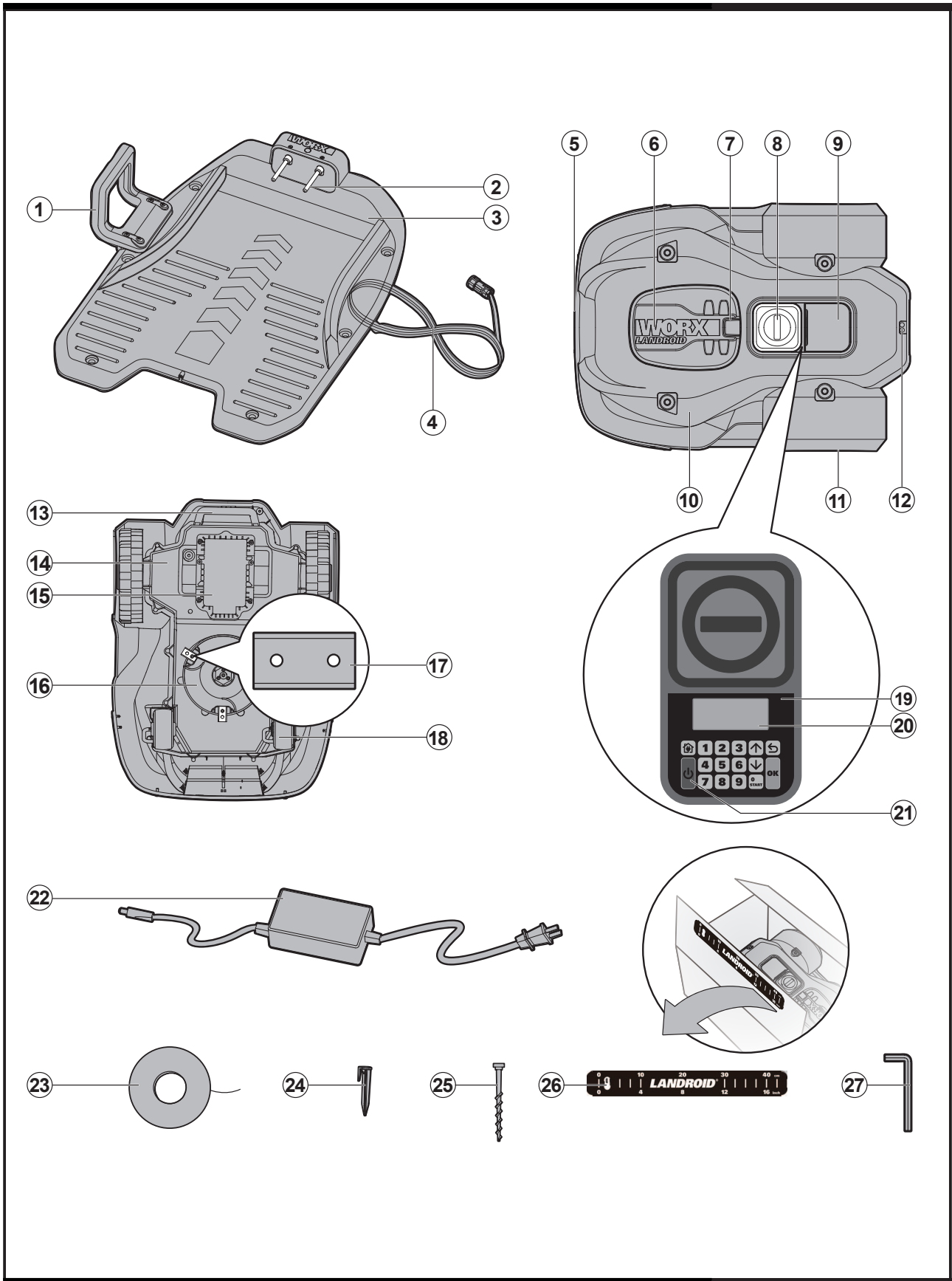


Dispositivo de clase III



Los residuos de productos eléctricos no se deben tirar con la basura doméstica. Por favor, recicle donde existan instalaciones. Consulte con las autoridades locales o su distribuidor para consejo sobre el reciclaje.

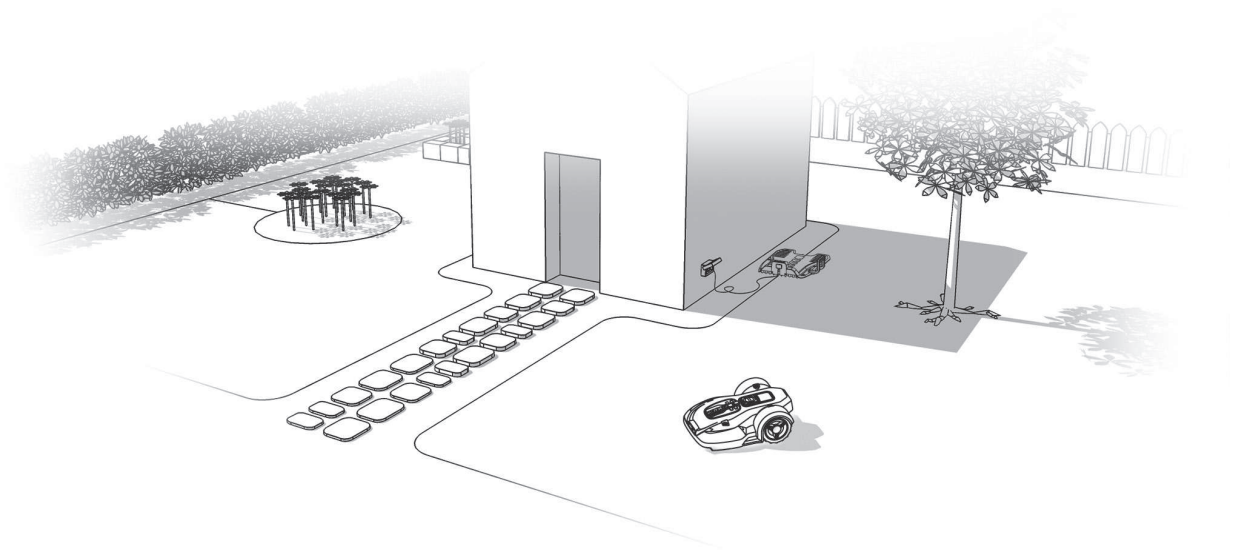
2. Lista de Componentes



- 1. PALANCA**
- 2. PATILLAS DE CONTACTO**
- 3. BASE DE CARGA**
- 4. CABLE DE BAJA TENSIÓN**
- 5. PLETINA DE CARGA**
- 6. CUBIERTA DE AJUSTE DE ALTURA DE CORTE DEL CÉSPED**
- 7. PUNTO DE ACCESO PARA ABRIR LA CUBIERTA DE AJUSTE DE CORTE.**
- 8. BOTÓN STOP (DETENER)**
- 9. VENTANA DEL TECLADO**
- 10. CUBIERTA DEL Landroid®L**
- 11. RUEDA DE TRACCIÓN TRASERA**
- 12. SENSOR DE LLUVIA**
- 13. MANGO**
- 14. ALOJAMIENTO PRINCIPAL: CONTIENE EL MOTOR, EL SISTEMA ELECTRÓNICO Y LA BATERÍA.**
- 15. BATERÍA**
- 16. DISCO GIRADOR DE LA CUCHILLA**
- 17. HOJA DE LA CUCHILLA**
- 18. RUEDAS DELANTERAS**
- 19. TECLADO**
- 20. PANTALLA**
- 21. TECLA ON/OFF**
- 22. ADAPTADOR DE ALIMENTACIÓN**
- 23. CABLE DELIMITADOR**
- 24. CLAVIJAS DEL CABLE**
- 25. CLAVOS DE RETENCIÓN DE LA BASE DE CARGA**
- 26. MEDIDOR DE DISTANCIA DEL CABLE DELIMITADOR**
- 27. LLAVE ALLEN**

3. Funcionamiento del Landroid® L

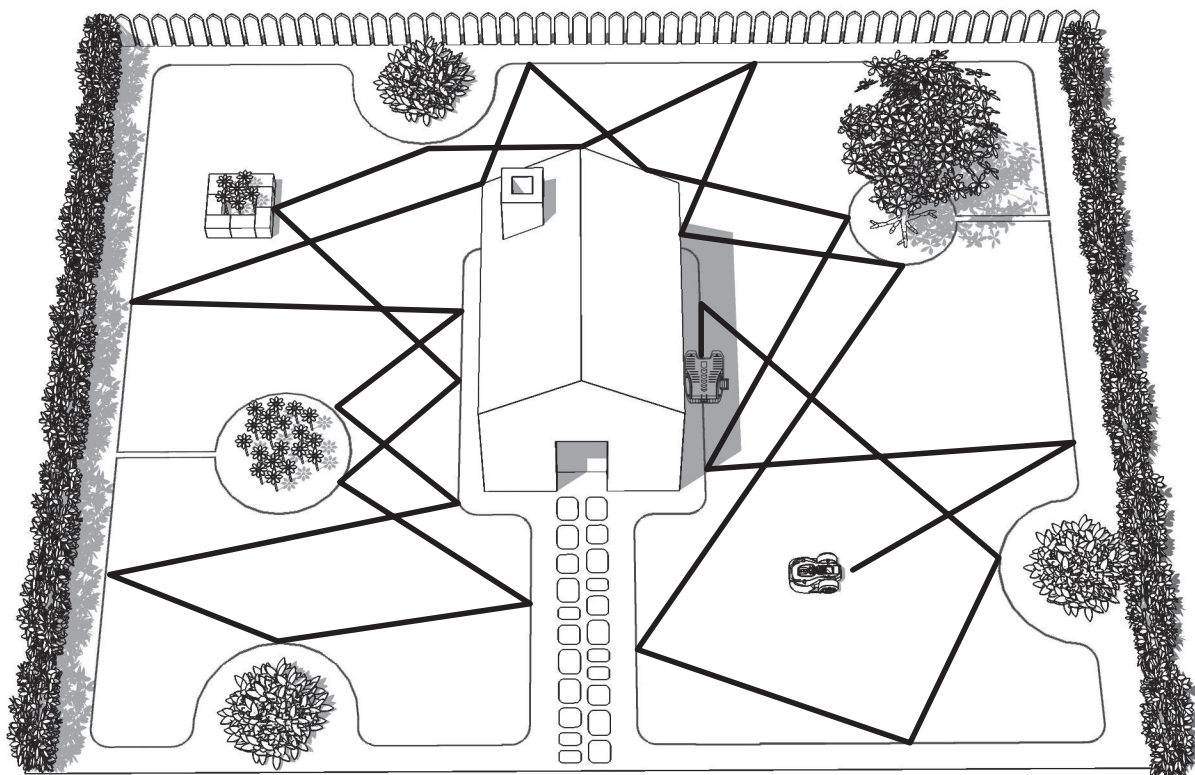
Nos gustaría felicitarle por la nueva compra del Landroid® L y por su entrada en la vida sin preocupaciones con el uso de cortacéspedes automáticos. En las páginas siguientes, nos gustaría ayudarle a comprender mejor cómo funciona su Landroid® L.



3.1 ¿Cómo sabe mi Landroid® L qué tiene que cortar?

El Landroid® L elige su dirección aleatoriamente. Se asegurará de que todo el césped está cortado de manera uniforme sin dejar de lado las rutas de corte poco interesantes (ver fig. A).

63



A

3.2 ¿Cómo sabe mi Landroid®L adónde tiene que ir?

Su Landroid®L es capaz de hacer cosas por su cuenta. El Landroid®L sabe cuando debe ir a su base de carga (3) para cargarse, puede notar cuando está lloviendo, puede pararse si detecta un problema, y sabe detenerse, retroceder y dar un rodeo cuando choca contra un objeto o con algo que le bloquea el paso. El Landroid®L parará automáticamente el disco de corte (16) si el aparato se levanta del suelo con el fin de evitar un accidente.

A. Encontrar el cargador

Cuando su Landroid®L necesite recargarse, se detendrá y seguirá el alambre delimitador (23) en sentido anti-horario hacia la base de carga. El Landroid®L ha sido programado para cortar el césped cerca del alambre delimitador una vez por semana. Si desea cortar el césped cerca del alambre delimitador en otro momento, abra la ventana del teclado, presione el botón de inicio y cierre la ventana del teclado. El Landroid®L parará de cortar el césped, localizará el alambre delimitador y cortará el césped cerca del alambre delimitador mientras localiza la base de carga.

Le aconsejamos que utilice esta función cuando la energía de la batería esté por encima de 75%. Puede consultar la energía de la batería en el visualizador.

B. Sensor de lluvia

La Landroid®L cuenta con un Sensor de lluvia (12) en el lateral que detecta las gotas de lluvia y ordena al Landroid®L que deje de cortar y siga al Cable delimitador hasta su Base de carga (ver fig. B)

Landroid®L se puede programar para una función de puesta en marcha retardada (0 a 180 minutos) cuando llueve. Cuando los sensores de lluvia se mojan, Landroid®L regresa a su base de acoplamiento.


Landroid®L iniciará la cuenta atrás para la puesta en marcha retardada o volverá a segar inmediatamente solamente cuando los sensores de lluvia estén secos. Vea la Guía de Resolución de Problemas y Programación para más detalles.

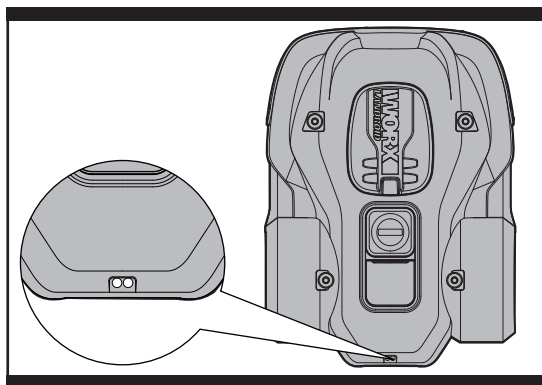
C. Detectar el cable delimitador

El Landroid®L siempre se mantiene dentro del límite establecido por el cable delimitador y utiliza dos sensores en su parte delantera para detectar cuando se está acercando. Antes de cambiar de dirección, el Landroid®L sobrepasará el cable delimitador hasta 25 cm* (ver fig. C).

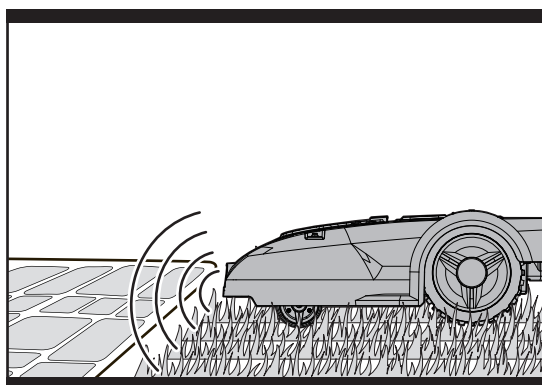
* Esta es la distancia recomendada. Utilice el calibre de distancia proporcionado para garantizar la instalación adecuada

D. Arrancar y parar el funcionamiento

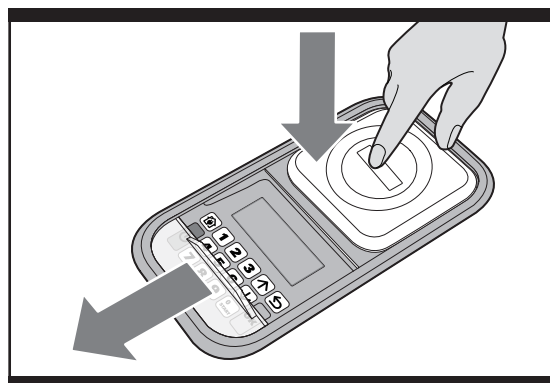
Si quiere que el Landroid®L cese de cortar, solo tiene que pulsar el botón de STOP (8) en la parte superior de la máquina. Empezará a cortar de nuevo hasta que presione el botón  y cierre su ventana del teclado. (Consulte Fig. D, E)



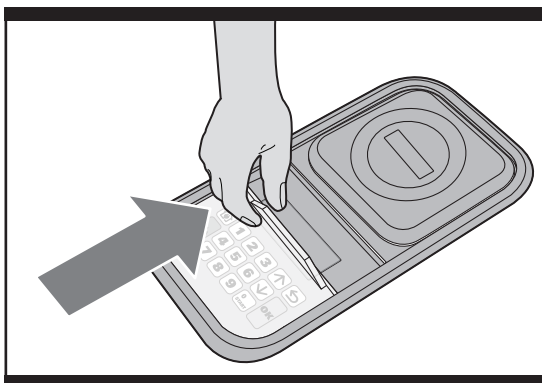
B



C



D





E



Si el Landroid®L detecta que algo está mal, mostrará un mensaje de error en la pantalla (20) y se apagará automáticamente si no recibe ninguna respuesta por parte del usuario en los siguientes 20 minutos (para más información sobre mensajes de error consultar la Guía de Resolución de Problemas y Programación).

Para reanudar:

Escena 1 : STOP - Apagado automático tras 20 minutos.

- Presione el botón STOP.
- Abra la ventana del teclado.
- Coloque la tecla ENCENDIDO/APAGADO (21) en ENCENDIDO
- Pulse la tecla  para corregir el problema
- Presione la tecla  de nuevo y cierre la ventana del teclado.
- ¡Ahora el Landroid®L empezará a segar!

Escena 2 : STOP - Sin apagado automático

- Presione el botón STOP.
- Abra la ventana del teclado.
- Pulse la tecla  para corregir el problema
- Presione la tecla  de nuevo y cierre la ventana del teclado.
- ¡Ahora el Landroid®L empezará a segar!

3.3 ¿Cuál es el área máxima de césped que puede cortar el Landroid®L?

Su Landroid®L es capaz de cortar áreas de hasta áreas de diferentes tamaños, aunque esto depende de varios factores como por ejemplo:

- Variedades de hierba en su césped y su tasa de crecimiento
- Delgadez de las hojas de corte (17)
- Humedad
- Temperatura ambiental
- Cantidad de obstáculos en el césped

Si la temperatura ambiente del lugar donde vive es muy alta, posible que la Landroid®L se cargue más lentamente. El Landroid®L utiliza menos energía en las áreas abiertas que tienen menos obstáculos tales como flores, fuentes, pasarelas, etc ...

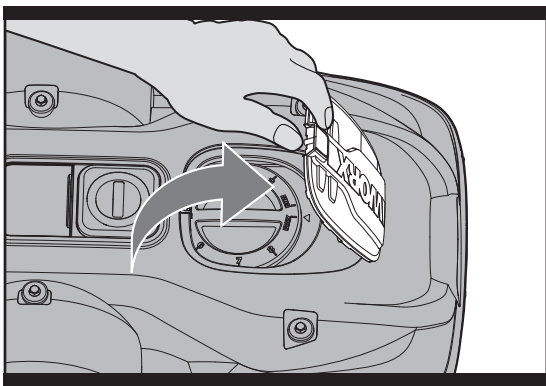
Puede encontrar el tiempo de trabajo predeterminado del Landroid®L para áreas de diferentes tamaños en la guía de programación.

Los tiempos de corte son diferentes para cada césped en función de los factores mencionados anteriormente. Ajuste gradualmente el tiempo de corte de su Landroid®L hasta que encuentre el valor más adecuado para usted.

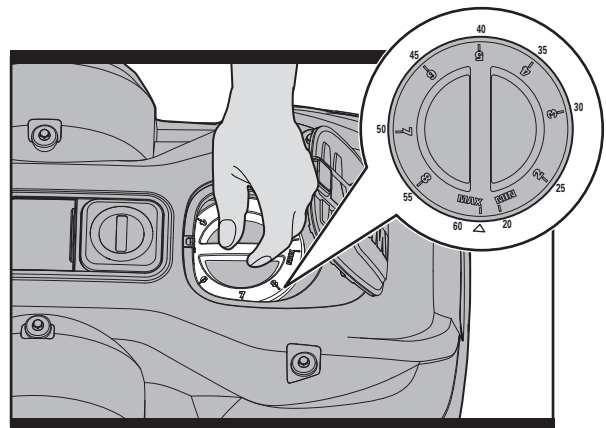
También puede programar el horario de funcionamiento del Landroid®L a su conveniencia – consulte la Guía de Programación.

3.4 ¿Cuál es la eficiencia de mi Landroid®L al cortar el césped?

La altura de corte del Landroid®L se puede ajustar entre 2 cm y 6 cm. Antes de poner en marcha la Landroid®L por primera vez, es recomendable que corte la hierba a una altura que no supere los 9 cm. A continuación, asegúrese de abrir la CUBIERTA DE AJUSTE DE ALTURA DE CORTE DEL CÉSPED (6) y establecer la altura de corte al máximo (6 cm). (ver fig. F, G).



F



G

El Landroid®L cortará mejor con tiempo seco. No le gusta la hierba mojada, que puede acumularse en el disco de corte (16) y dentro del motor, y también puede causar la pérdida de tracción y deslizamiento durante el trabajo.

A su Landroid®L no le gustan las tormentas eléctricas. En el caso de tormenta eléctrica, desconecte el Landroid®L de la base de carga (3), desconecte el cable delimitador (23) y asegúrese de que el Landroid®L no puede cargarse.

A su Landroid®L le gusta cortar la hierba y necesita unas Cuchillas (17) en buenas condiciones para poder cortarla bien. El Landroid®L puede hacer la mayoría de las cosas por sí mismo, pero a veces necesitará su ayuda para no hacerse daño.

- No deje nunca que el Landroid®L se desplace sobre grava
- Elimine o bloquee los obstáculos sobre los que el Landroid®L podría subir accidentalmente y dañar su disco de corte
- Elimine todos los restos y objetos extraños de su césped

4. Control Remoto Desde Móvil (solo para modelos específicos; consulte los datos técnicos y la declaración de conformidad)

Su Landroid®L puede conectarse a un smartphone. Todos los ajustes generales se pueden realizar desde el teléfono. También mostrará el estado de funcionamiento actual, en caso de que haya errores. Para la configuración de los detalles, consulte la Guía de conexión WIFI de Landroid®L.

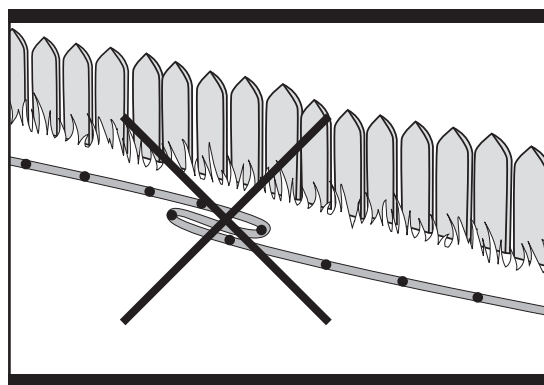
5. Fundamentos del cable delimitador

5.1 Fijar el cable delimitador

Utilice el calibre de distancia del alambre de limitador (26) para establecer la distancia correcta desde el borde del césped (Más de 45cm *).

* Esta es la distancia recomendada. Utilice el calibre de distancia proporcionado para garantizar la instalación adecuada

Si su vecino también utiliza un Landroid®L, entonces debe mantener una distancia mínima de 0.5 metros entre su cable delimitador y su vecino.



H

El cable delimitador debe marcar el perímetro exacto del área de césped que se quiere cortar. Su Landroid®L se va confundir si encuentra curvas adicionales o rollos de cable delimitador que no son parte del área de corte (ver fig. H). Si hay demasiado cable delimitador después de haber marcado el perímetro de trabajo, córtelo y guárdelo en un lugar separado. Sin embargo, es importante dejar la longitud necesaria en el punto donde se conecta a la base de carga para que pueda conectarse y permanecer enterrado.

5.2 Enterrar el cable delimitador

Si planea enterrar el cable delimitador debe tener en cuenta que al entrar en su base de carga por primera vez, su Landroid®L puede tener problemas según la forma como haya puesto el cable. Es recomendable fijar el Cable delimitador al césped de forma que resulte más fácil hacer ajustes en caso necesario. Con ello, se permite que la Landroid®L se ajuste al nuevo entorno y funcione correctamente con la base de carga antes de enterrar el Cable delimitador.

Cuando haya terminado de instalar el cable delimitador, le aconsejamos que le ordene al Landroid®L que siga la línea de delimitación pulsando el botón inicio.

Mientras observa cómo el Landroid®L localiza la base de carga, puede usted realizar modificaciones en la ruta del cable delimitador para asegurar un recorrido del cable delimitador sin problemas para el Landroid®L en su búsqueda de la base de carga.

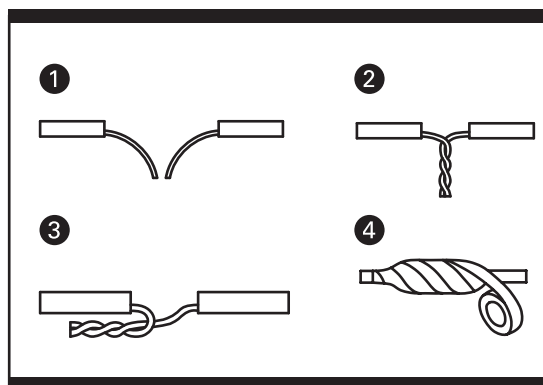
5.3 Unir el cable delimitador

El cable delimitador (23) se puede extender empalmado los extremos y conectándolos a otro trozo de cable. Puede utilizar cinta adhesiva para asegurar la parte del cable unido. (Ver fig. I)

6. Actualización del software

Se podrá actualizar el software de su Landroid®L cuando haya nuevas versiones disponibles. La versión del software se mostrará en la página de diagnóstico al pulsar el botón 2 de la página de inicio. Puede descargar el software más reciente en nuestro sitio web: www.worxlandroid.com. Consulte la guía detallada en la página de descargas.

El manual de la caja se basa en el software predeterminado en la producción en masa. Algunas características/funciones nuevas de la nueva versión pueden no existir en el manual. Si encuentra algunos ajustes que no estén en el manual, por favor visite www.worxlandroid.com para descargar el manual más reciente.



7. Mantenimiento

Tiene que revisar su Landroid®L de vez en cuando. El Landroid®L trabaja mucho y después de un tiempo necesita una buena limpieza, así como reemplazar aquellas partes que se hayan podido desgastar. En los siguientes apartados queremos informarle de cómo hacer que su nuevo Landroid®L se adapte a su nuevo hogar y darle el mejor cuidado posible.

7.1 Mantenerlo afilado

⚠ ADVERTENCIA: Antes de limpiar, ajustar o reemplazar las hojas, apague su Landroid®L OFF y póngase guantes de protección.

⚠ ADVERTENCIA! Para sustituir la cuchilla, asegúrese de cambiar todas las hojas si cambia una. Utilice siempre tornillos nuevos para instalar las cuchillas. Esto es importante para asegurar la retención de las cuchillas. La no utilización de tornillos nuevos podría ocasionar lesiones graves.

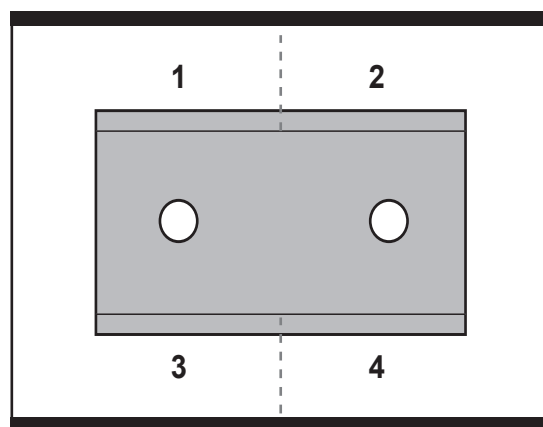
El Landroid®L no corta el césped como las otras cortadoras. las cuchillas(17) son como un cuchillo afilado en los 4 bordes y gira en ambas direcciones para obtener una capacidad máxima de corte (ver fig. J) . Cada hoja de su Landroid®L tiene 4 bordes de corte. Dependiendo con la frecuencia con la que su Landroid®L siega el césped, la hoja de corte necesitarán darse la vuelta o girarse periódicamente para trabajar con un nuevo borde de corte. Si su Landroid®L está programado para segar el césped todos los días, entonces será necesario girar las hojas de corte mensualmente para conseguir los mejores resultados en la siega. Cada hoja de corte tendrá una duración de hasta 4 meses cuando la siega se realice diariamente. Cuando la hoja de corte esté roma o desgastada, se debe cambiar por una hoja de repuesto proporcionada con su Landroid®L. También puede obtener las hojas de repuesto en su distribuidor de Worx más cercano.

A. Rotar y voltear las cuchillas

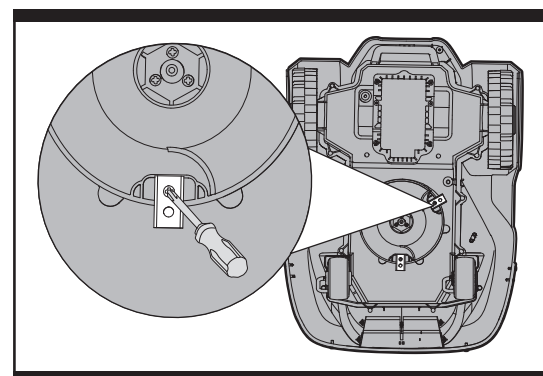
Su Landroid®L lleva cuchillas que están ancladas al disco de corte (16). Las cuchillas son las que permiten que el Landroid®L haga su trabajo y requieren cuidado y atención. De vez en cuando, debe rotar y voltear los 3 hojas al mismo tiempo para un corte perfecto. Al girar y voltear las cuchillas, asegúrese de ajustarlas simultáneamente o de lo contrario el disco de corte podría perder el equilibrio. Si su Landroid®L funciona durante un horario típico (diariamente) las cuchillas deberían durar una temporada si se giran y voltean cada mes. Siempre revise si las cuchillas están astilladas o dañadas y cámbielas si lo están.

B. Cambiar las cuchillas (Ver Fig. K)

Después de un tiempo, por lo general cada temporada, tendrá que reemplazar las cuchillas del Landroid®L. A su Landroid®L no le gusta



J



K

cortar con hojas de diferente edad y calidad. Así que cuando cambie las cuchillas, asegúrese de cambiarlas todas al mismo tiempo. Se pueden reemplazar con uno de los tres conjuntos de cuchillas de repuesto y tornillos adicionales suministrados con el Landroid®L.

Antes de proceder a cambiar las cuchillas del Landroid®L, apague el cortacésped y póngase guantes de protección. Luego siga los pasos siguientes:

1. Ponga el Landroid®L del revés con delicadeza
2. Extraiga la cubierta de la batería y la batería.
3. Saque los tornillos de las cuchillas con un destornillador de punta plana
4. Atornille las hojas nuevas firmemente
5. Vuelva a instalar la batería y la cubierta de la batería.

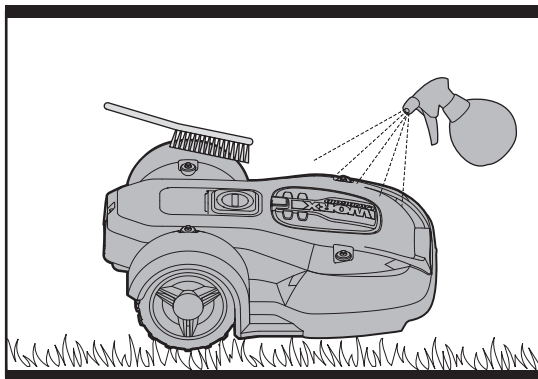
IMPORTANTE: Después de enroscar la cuchillas al disco de corte, asegúrese de que el disco puede girar libremente.

7.2 Manténgalo limpio

ADVERTENCIA! Antes de la limpieza, apague su Landroid®L. Póngase guantes de protección antes de limpiar el disco de corte (16) y no utilice agua corriente. (Ver Fig. L)

A. Limpieza del mecanismo

El Landroid®L tendrá una vida mucho más saludable y larga más si se limpia con regularidad. Tenga en cuenta que su Landroid®L es una máquina eléctrica, por lo que deberá tener cuidado al limpiarla, NO utilice una manguera, ni agua a alta presión ni vierta agua de ninguna otra manera sobre su Landroid®L, es mejor utilizar un atomizador lleno con agua. Al limpiar la carcasa de plástico utilice un cepillo suave o un paño limpio y evite el uso de solventes o limpiadores (ver fig. L). Por último, asegúrese de retirar toda la acumulación de restos de césped y residuos, especialmente de las rejillas de ventilación del motor.



L

B. Limpieza de la parte inferior

Una vez más, es importante que apague el Landroid®L con la tecla ON/OFF en OFF y use guantes de protección antes de tocar el disco de corte (16).

En primer lugar, coloque la Landroid®L boca abajo para exponer la parte inferior. Aquí verá el disco de corte, la caja del motor (14) y las ruedas delanteras (18) y motrices (11). Limpie todo a fondo con un cepillo suave o un paño húmedo. Gire el disco de corte para asegurarse de que gira libremente. Compruebe que las cuchillas giran libremente sobre los tornillos de fijación. Quite cualquier obstrucción que se haya podido generar.

IMPORTANTE: Elimine todos los residuos para que no se resquebraje el disco de corte. La más pequeña fisura puede disminuir el rendimiento de corte de su Landroid®L.

C. Limpie las patillas de los contactos y las regletas de carga

Mediante un paño, limpie la patilla de contacto (2) situada en la base de carga (3) y la regleta de carga (5) situada en su Landroid®L. Quite cualquier resto de hierba cortada alrededor de las patillas de contacto y las regletas de carga para garantizar que su Landroid®L se carga correctamente en todo momento.

7.3 Duración de la batería

El corazón del Landroid®L es la Batería de Litio de 28 voltios. No se precisa ningún mantenimiento. Para un almacenamiento correcto de la batería, asegúrese de que está totalmente cargada y en un lugar fresco y seco (20°C-60°C).

La vida útil de la batería del Landroid®L depende de varios factores, tales como:

- Duración de la temporada de corte en su región
- Cantidad de horas que el Landroid®L funciona diariamente
- La forma de tratar la batería durante el almacenamiento

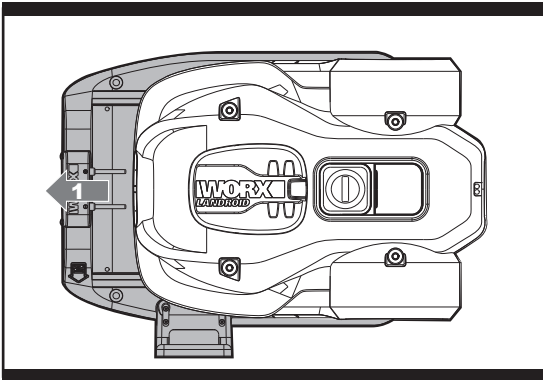
El Landroid®L puede ser cargado manualmente sin el cable de límites.

Para cargar la batería manualmente sin conectar el cable de límites a la base de carga;

1. Conecte la Base de Carga a una toma de corriente adecuada
2. Conecte manualmente el Landroid®L en la Base de Carga mientras el Landroid®L está apagado. (Ver fig. M1)

3. La luz roja de la base de carga se enciende.

4. Mientras, la pantalla muestra "Cargando". (Ver fig. M2) Se inicia el proceso de carga del Landroid®L.



M1



M2

7.4 Hibernación

Su Landroid®L vivirá más tiempo y más saludable si se le permite hibernar. Así que, aunque es pesado, le recomendamos que durante el invierno guarde el Landroid®L en el cobertizo o en el garaje.

Antes de poner su Landroid®L a hibernar, debe asegurarse de:

- Limpiar a fondo su Landroid®L
- Cargar completamente la batería
- Voltear el cortacésped

Para maximizar la vida útil de la batería, le recomendamos que la cargue totalmente antes de almacenarla durante el invierno.

El cable delimitador se puede dejar en el suelo pero se deberían proteger los extremos, por ejemplo colocándolos dentro en una lata con grasa. Si la base de carga queda fuera durante el invierno, deje el cable delimitador conectado.

NOTA: Cuando vuelva a usar el Landroid®L después de la hibernación, asegúrese de que las bandas de carga (5) y patillas de contacto (2) están limpias, lo mejor es usar un paño muy suave. A continuación, asegúrese de que la fecha y la hora son correctas y envíe el Landroid®L otra vez a lo que le gusta hacer: cortar hierba.

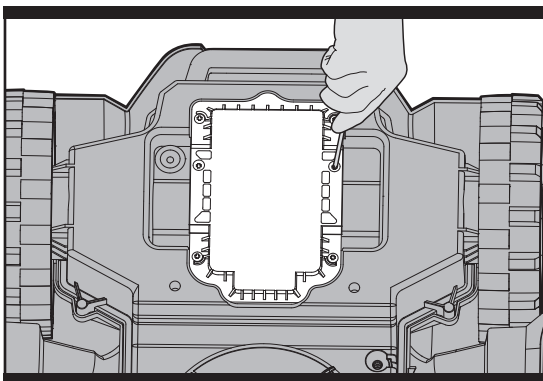
7.5 Sustituir la batería



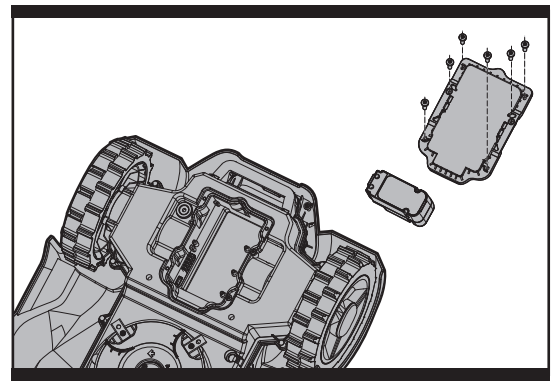
ADVERTENCIA! Pulse el botón ON/OFF en OFF antes de realizar cualquier ajuste, sustitución o reparación.

Si necesita reemplazar la batería, siga estos pasos:

1. Ponga el Landroid®L del revés con delicadeza
2. Retire los tornillos de la batería (Ver Fig. N)
3. Saque la batería vieja (Ver Fig. O)
4. Ponga la batería nueva
5. Reemplace firmemente los tornillos



N



O

Protección Medioambiental



Los residuos de productos eléctricos no se deben tirar con la basura doméstica. Por favor, recicle donde existan instalaciones. Consulte con las autoridades locales o su distribuidor para consejo sobre el reciclaje.



ORIGINELE GEBRUIKSAANWIJZING

INHOUDSOPGAVE

1. Veiligheidsinstructies	72
1.1 Algemene & extra veiligheidsinstructie	72
1.2 Informatie over de Landroid®L	74
2. Onderdelenlijst	75
3. Kennismaking met uw Landroid®L	77
3.1 Hoe weet de Landroid®L wat er gemaaid moet worden?	77
3.2 Hoe weet de Landroid®L waar hij heen moet gaan?	78
A. Het laadstation vinden	78
B. Regensensor	78
C. De grensdraad volgen	78
D. Starten en stoppen tijdens het maaien	78
3.3 Hoe groot kan de oppervlakte van het gazon zijn?	79
3.4 Hoe efficiënt maait de Landroid®L het gras?	79
4. Afstandsbediening	80
5. Het principe van de grensdraad	80
5.1 De grensdraad vastleggen	80
5.2 De grensdraad ingravene	80
5.3 Verbindingen met de grensdraad	80
6. Software-update	81
7. Onderhoud	81
7.1 Houd hem scherp	81
A. Messen draaien en omkeren	81
B. De messen vervangen	81
7.2 Houd hem schoon	82
A. De behuizing schoonmaken	82
B. De onderkant schoonmaken	82
C. Maak de contactpinnen en de laad strips schoon	82
7.3 Levensduur van de batterij	82
7.4 Winteropslag	83
7.5 De batterij vervangen	83

1. Veiligheidsinstructies

1.1 Algemene & extra veiligheidsinstructie

 **WAARSCHUWING! Lees alle instructies zorgvuldig door.** Indien u zich niet aan alle onderstaande instructies houdt, kan dat leiden tot een elektrische schok, brand en/of ernstig letsel.

Lees de instructies aandachtig voor een veilig gebruik van de machine.

Bewaar alle waarschuwingen en instructies voor latere naslag.

- Dit apparaat is niet bedoeld voor gebruik door personen (waaronder kinderen) met verminderde fysieke of mentale capaciteiten of een verminderd waarnemingsvermogen, tenzij ze voor gebruik van het apparaat toezicht en instructie krijgen van iemand die verantwoordelijk is voor hun veiligheid.
- Kinderen moeten onder toezicht worden gehouden om te verzekeren dat ze niet met het apparaat spelen.
- Het apparaat mag alleen worden gebruikt met de voedingsadapter die wordt meegeleverd met het apparaat.

BELANGRIJK

LEES ALLE INSTRUCTIES ZORGVULDIG DOOR.

BEWAAR ALLE WAARSCHUWINGEN EN INSTRUCTIES VOOR LATERE NASLAG

VEILIGE BEDIENING

Instructies

- a) Lees de instructies nauwkeurig door. Zorg ervoor dat u de instructies begrijpt en dat u bekend bent met de bedieningsorganen en het juiste gebruik van het toestel;
- b) Sta niet toe dat het toestel gebruikt wordt door personen die niet bekend zijn met deze instructies of door kinderen. Plaatselijke voorschriften kunnen een grens leggen aan de leeftijd van de gebruiker;
- c) De gebruiker is verantwoordelijk voor ongevallen en gevaren die optreden met andere personen of hun eigendommen

Vorbereiding

- a) Zorg ervoor dat de gresdraad correct wordt geïnstalleerd volgens de instructies.
- b) controleer het gebied waarin het toestel gebruik wordt geregeld. Verwijder alle stenen, stokken, draden, botten en ander vreemde voorwerpen.
- c) Inspecteer de messen, bouten en het snijmechanisme geregeld op slijtage en schade. Vervang versleten en beschadigde messen en bouten gelijktijdig, zodat de balans behouden blijft.
- d) Bij toestellen met meerdere assen let u erop dat het draaien van het ene mes ook het ander mes in beweging brengt.
- e) **WAARSCHUWING!** De grasmaaier mag niet worden gebruikt zonder dat de afscherming op zijn plaats is.

BEDIENING

1. ALGEMEEN

- a) Gebruik het toestel niet met een defecte kap of zonder dat de veiligheidsmiddelen, zoals de, af buigers op hun plaats zitten;
- b) Steek geen handen of voeten in de buurt van de draaiende delen. Houd steeds afstand van de uitwerp opening;
- c) Til het toestel niet op en vervoer het niet terwijl het in werking is;
- d) Bedien de uitschakelinrichting van het apparaat
 - Voordat u een blokkering verwijdert;
 - Voordat u de machine controleert, schoonmaakt of onderhoudt;
- e) Het is niet toegestaan het oorspronkelijke ontwerp van de grasmaaier te veranderen. Alle wijzigingen zijn op eigen risico.
- f) Start de automatische grasmaaier volgens de instructies. Als de aan-uitknop aan staat, zorg er dan voor dat uw handen en voeten uit de buurt blijven van de draaiende messen. Plaats nooit uw handen en voeten onder de Robotmaaier
- g) Til de Robotmaaier niet op en draag deze niet als de aan-uitknop aan staat.
- h) Sta niet toe dat de maaier gebruikt wordt door personen die niet weten hoe de Robotmaaier werkt en zich gedraagt.
- i) Leg geen voorwerpen op de Robotmaaier of op het laadstation.
- j) Laat de Robotmaaier niet werken met een defect mes of een defecte behuizing. Hij moet ook niet worden gebruikt met defecte , schroeven, moeren of kabels.
- k) Schakel de Robotmaaier altijd uit als u niet van plan bent om de Robotmaaier te gebruiken. De Robotmaaier kan alleen starten als de aan-uitknop aan staat en de juiste pincode is ingevoerd.

2. ALS HET TOESTEL AUTOMATISCH FUNCTIONEERT

- a) Laat de machine niet werken zonder toezicht als u weet dat er dieren, kinderen of andere personen in de omgeving zijn.

ONDERHOUD EN OPSLAG

 **WAARSCHUWING! Schakel de aan-uitknop altijd uit wanneer u de grasmaaier ondersteboven houdt.**

De aan-uitknop moet uit staan tijdens alle werkzaamheden aan de onderkant van de grasmaaier, zoals

het reinigen of vervangen van de messen.

- a) Zet alle moeren, bouten en schroeven vast om zeker te weten dat het toestel in de veilige werktoestand is;
- b) Inspecteer de grasmaaier elke week en vervang versleten of beschadigde onderdelen voor de veiligheid;
- c) Controleer of de messen en de schijf niet beschadigd zijn. Verwijder alle messen en schroeven tegelijk, zodat de draaiende delen in balans blijven.
- d) Zorg ervoor dat uitsluitend vervangingsonderdelen van het juiste type worden gebruikt;
- e) Zorg ervoor dat batterijen worden opgeladen met de juiste lader, aanbevolen door de fabrikant. Onjuist gebruik kan resulteren in een elektrische schok, oververhitting of lekkage van de corroderende vloeistof uit de batterij;
- f) Bij lekkage van het elektrolyt spoelt u met water of een neutraliserend middel. Vraag medische hulp als het elektrolyt in contact komt met de ogen e.d.;
- g) Onderhoud van het toestel moet geschieden in overeenstemming met de instructies van de fabrikant.

Vervoer

De oorspronkelijke verpakking moet worden gebruikt als de grasmaaier over een langere afstand vervoerd wordt. Veilig vervoer van en naar het werkgebied:

- a) Druk op de knop STOP om de maaier te stoppen.
- b) U geeft de volledige PIN-code van vier cijfers als u de maaier voor het eerst start.
- c) Schakel de automatische grasmaaier altijd uit als u van plan bent om de grasmaaier te dragen.
- d) Draag de maaier bij het handvat aan de achterkant, onder de maaier. Draag hem met de messen van uw lichaam afgekeerd.



Veiligheidsinstructies voor het accupack

- a) Batterijcellen en accupacks mogen niet gedemonteerd, geopend of vernietigd worden.**
- b) Sluit accupacks niet kort. Bewaar accupacks niet willekeurig in een doos of lade waar ze elkaar kunnen kortsluiten of door geleidende voorwerpen kortgesloten kunnen worden.**

Houd het accupack op een afstand van andere metalen voorwerpen als paperclips, muntstukken, sleutels, nagels, schroeven en andere kleine metalen voorwerpen die de contacten van de accupack kunnen verbinden. Kortgesloten contacten van accupacks kunnen brandwonden of brand veroorzaken.
- c) Stel accupacks niet bloot aan warmte of vuur. Vermijd opslag in direct zonlicht.**
- d) Stel accupacks niet bloot aan mechanische schokken.**
- e) Als een accu lekt dient men voorzichtig te zijn dat de vloeistof niet in contact komt met de huid of de ogen. Als dat toch gebeurt spoelt men de huid onder stromend water en raadpleegt men een arts.**
- f) Raadpleeg meteen een arts wanneer een batterij of accupack is ingeslikt .**
- g) Houd batterijcellen en accupacks schoon en droog.**
- h) Accupacks presteren het best bij normale kamertemperatuur (20 °C ± 5 °C).**
- i) Wanneer u accupacks wegwerpt, dient u accupacks van verschillende elektrochemische systemen van elkaar afgezonderd te houden.**
- j) Laad alleen op met een lader met de technische gegevens van WORX. Gebruik geen andere lader dan de lader die specifiek voor dat doel met de apparatuur is meegeleverd. Een lader voor één type accupack geschikt is kan een brandgevaar inhouden wanneer gebruikt met een ander type.**
- k) Gebruikt geen accupack dat niet bedoeld is voor gebruik met deze apparatuur.**
- l) Houd accupacks buiten het bereik van kinderen.**
- m) Bewaar de oorspronkelijke instructies van het product voor latere gebruik.**
- n) Volg de juiste procedure voor afvalverwijdering na afdanken van dit apparaat.**

1.2 Informatie over de Landroid® L



WAARSCHUWING – de Robotmaaier kan gevaarlijk zijn bij verkeerd gebruik.

Lees de gebruiksaanwijzing grondig door en zorg ervoor dat u de inhoud begrijpt voordat u de Robotmaaier gebruikt.



WAARSCHUWING: - Houd omstanders op afstand



WAARSCHUWING: – Schakel de aan-uitknop altijd uit voordat u aan de machine werkt of de machine optilt.



WAARSCHUWING: – Rij niet op de machine.



Niet in het vuur werpen



Batterijen kunnen in de watercyclus komen als ze niet op de juiste manier worden weggegooid, wat gevaarlijk kan zijn voor het ecosysteem. Gooi afgedankte batterijen niet weg bij het huisvuil.



Batterijen horen bij chemisch afval. Batterijen niet weggooien, lege batterijen inleveren bij een lokaal inzamel- of recyclingpunt.



Reinig de machine niet met een hogedrukreiniger

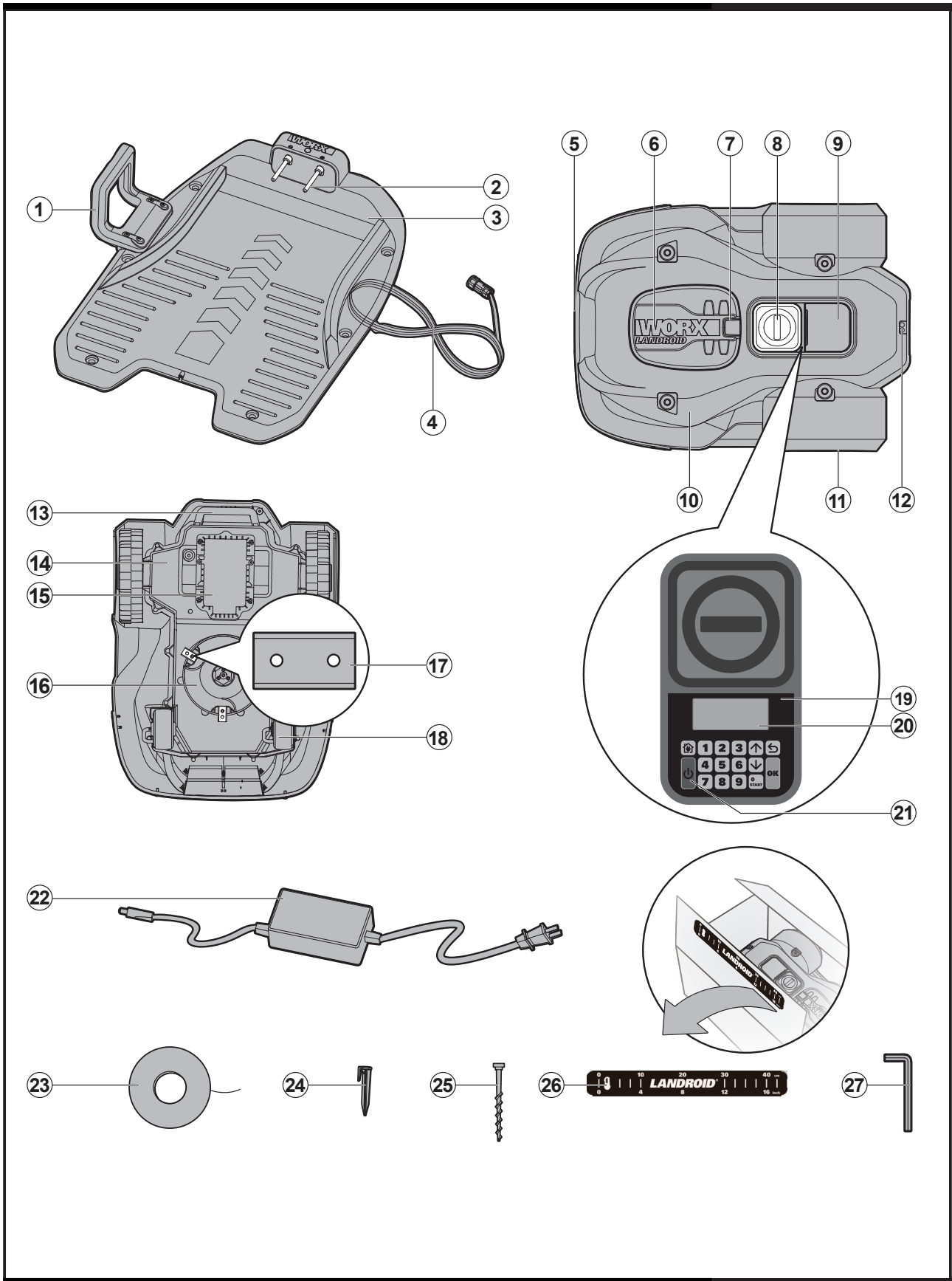


Klasse III-apparaten



Afgedankte elektrische producten kunt u niet met het normale huisafval weggooien. Breng deze producten, indien mogelijk, naar een recyclecentrum bij u in de buurt. Vraag de verkoper of de gemeente naar informatie en advies over het recyclen van elektrische producten.

2. Onderdelenlijst



-
- 1. HANDVAT**

 - 2. CONTACTPINNEN**

 - 3. LAADSTATION**

 - 4. LAAGSPANNINGSKABEL**

 - 5. LAADSTRIP**

 - 6. KAP VOOR DE GRASMAAIHOOGTEAFSTELLING**

 - 7. TOEGANGSPUNT - OM DE HOOGTEAFSTELLINGSKAP TE OPENEN.**

 - 8. STOPKNOP**

 - 9. TOETSENBOORDVENSTER.**

 - 10. Landroid®L-KAP**

 - 11. ACHTERSTE RIJWIEL**

 - 12. REGENSENSOR**

 - 13. HANDVAT**

 - 14. HOOFDBEHUIZING - BEVAT MOTOR, ELEKTRONICA EN ACCU.**

 - 15. BATTERIJPAKKET**

 - 16. MESDRAAIENDE SCHIJF**

 - 17. SNIJMES**

 - 18. VOORWIEL**

 - 19. TOETSENBOORD**

 - 20. SCHERM**

 - 21. AAN-UITKNOP**

 - 22. VOEDINGSAPPARAAT**

 - 23. GRENSDRAAD**

 - 24. DRAADPENNEN**

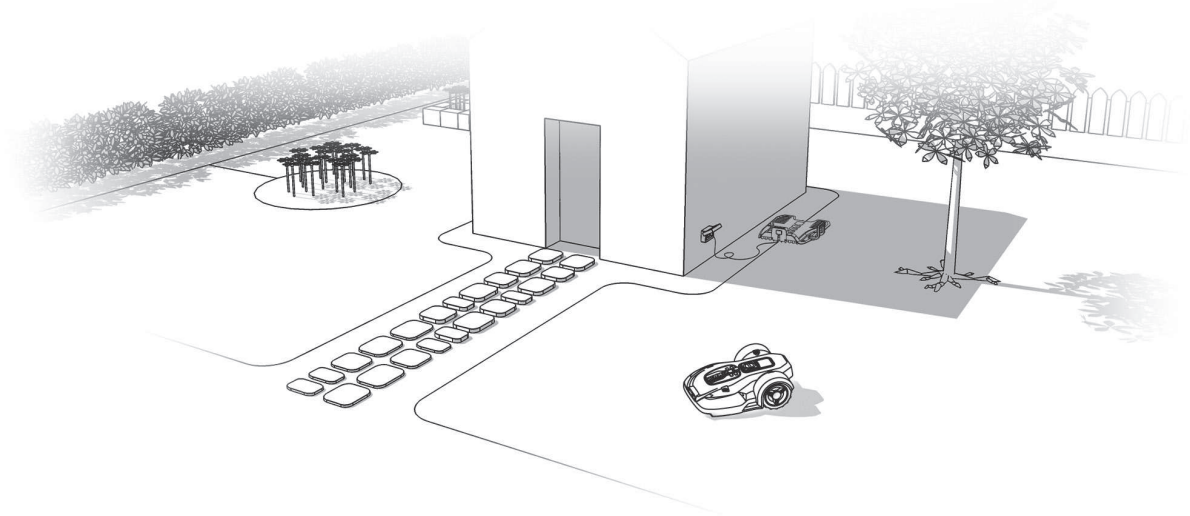
 - 25. BEVESTIGINGSSCHROEVEN VOOR LAADSTATION**

 - 26. AFSTANDMAL VOOR GRENSDRAAD**

 - 27. INBUSSLEUTEL**
-

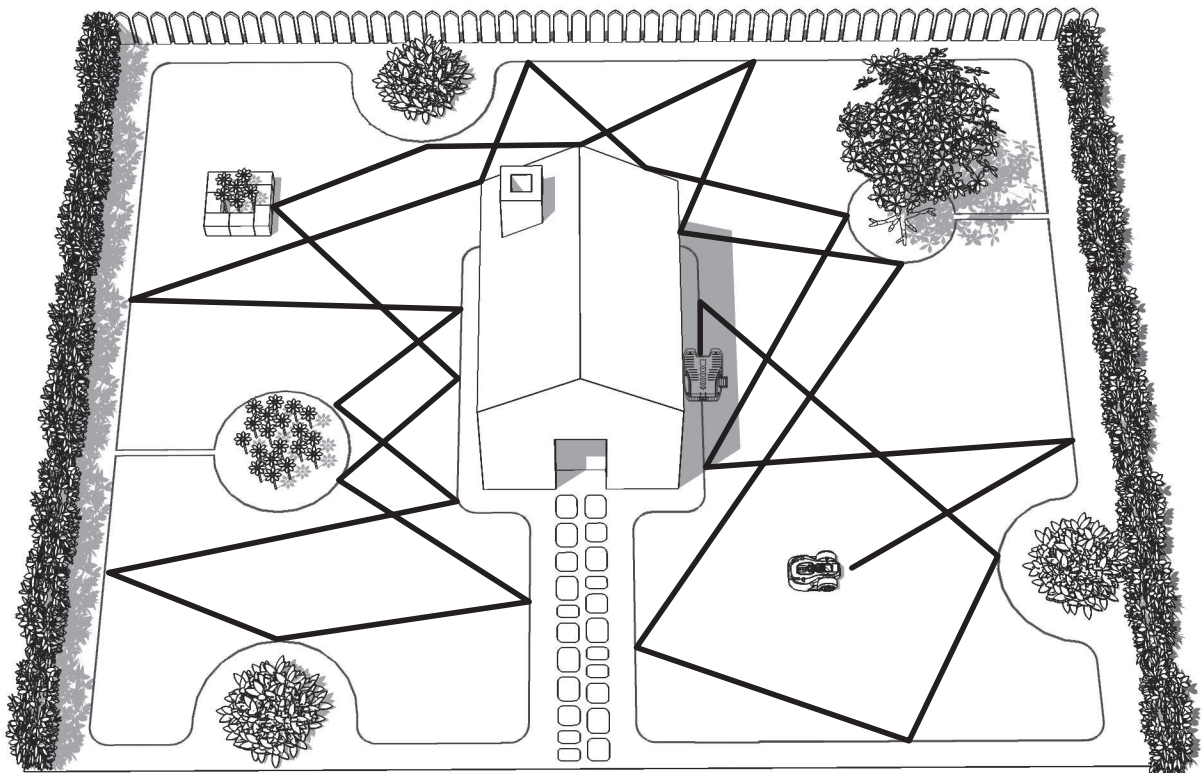
3. Kennismaking met uw Landroid®L

We feliciteren u met de aankoop van een Landroid®L waarmee u het leven van zorgeloos grasmaaien betreedt. Hierna helpen we u om beter te begrijpen hoe uw Landroid®L denkt.



3.1 Hoe weet de Landroid®L wat er gemaaid moet worden?

De Landroid®L kiest zijn richting willekeurig. Hij zorgt ervoor dat het hele gazon gemaaid wordt, zonder lelijke maaipaden achter te laten (Zie afbeelding A).



A

3.2 Hoe weet de Landroid®L waar hij heen moet gaan?

De Landroid®L is in staat op zichzelf te werken. De Landroid®L weet wanneer het terug moet keren naar het laadstation (3) om op te laden, kan voelen of het regent, kan zichzelf stoppen als het een probleem detecteert, zich terug moet trekken en vervolgens om moet keren als het ergens tegenaan botst dat zijn pad blokkeert of als het tegen een ander voorwerp aanbotst. De Landroid®L brengt de messen automatisch tot stilstand (16) als hij wordt opgetild, om ongelukken te vermijden.

A. Het laadstation vinden

Als uw Landroid®L opnieuw moet worden opgeladen stopt het met maaien en volgt het de grensdraad (23) tegen de klok in terug naar het laadstation. De Landroid®L is voorgeprogrammeerd om het gras in de buurt van de grensdraad één keer per week te maaien. Als u het gras in de buurt van de grensdraad op andere momenten wilt maaien, open het venster toetsenbord, druk op de home-knop en sluit het toetsenbordvenster.

De Landroid®L stopt dan met maaien, zoekt de grensdraad en maait het gras in de buurt van de grensdraad terwijl het, het laadstation lokaliseert. Het is raadzaam deze functie te gebruiken wanneer de batterij meer dan 75% is opgeladen. U kunt het batterijvermogen nagaan op de display.

B. Regensensor

De Landroid®L heeft een regensensor (12) aan de zijkant die regendruppels waarneemt, waarna de Landroid®L stopt met maaien en langs de grensdraad terugrijdt naar het laadstation (Zie afbeelding B).

Landroid®L is programmeerbaar met een vertraagde startfunctie (0 – 180 min) als het regent. Zijn de regensensoren nat, dan rijdt de Landroid®L terug naar het dokstation. Pas als de regensensoren weer droog zijn zal de Landroid®L beginnen met aftellen voor de vertraagde start of meteen weer gaan maaien. Zie de gids voor programmering en oplossen van problemen voor meer informatie.

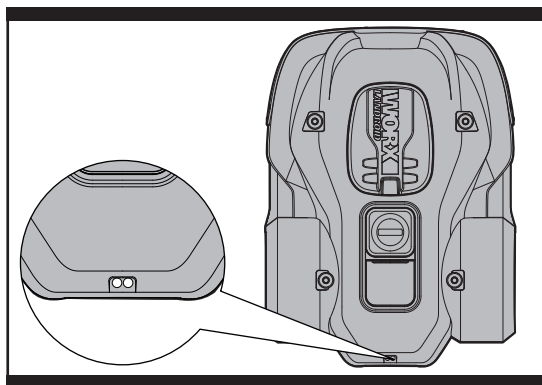
C. De grensdraad volgen

De Landroid®L blijft gehoorzaam binnen de grens die bestaat uit het grensdraad. Hij heeft twee sensoren aan de voorkant die vaststellen of het draad in de buurt is (Zie afbeelding C). Voordat hij van richting verandert, rijdt de Landroid®L maximaal 25cm* over de draad heen.

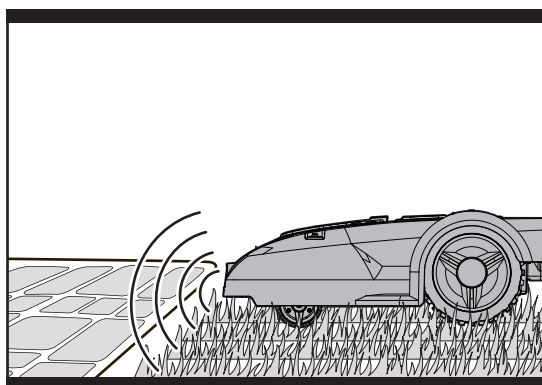
*Dit is de aanbevolen afstand. Gebruik de meegeleverde afstandsmal om zeker te zijn van correcte installatie.

D. Starten en stoppen tijdens het maaien

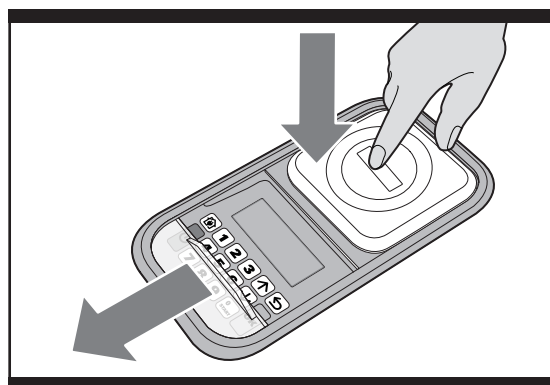
Wilt u dat de Landroid®L stopt met maaien, druk dan op de STOP-knop (8) boven op de maaier. Het apparaat zal niet opnieuw beginnen te maaien totdat u op  hebt gedrukt en het toetsenbordvenster gesloten hebt. (Zie afbeelding D, E) Constateert de Landroid®L een probleem, dan verschijnt er een foutmelding op het scherm (20), en schakelt hij zichzelf



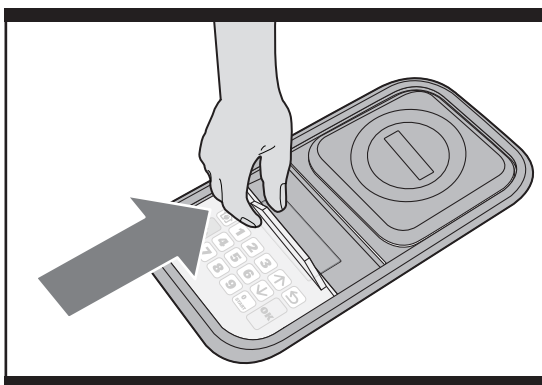
B



C



D





E



uit als er geen opdrachten worden ontvangen binnen 20 minuten (voor informatie over foutmeldingen zie de gids voor programmering en oplossen van problemen).

Hervatten:

Scène 1: STOP – automatische uitschakeling na 20 minuten

- Druk op de STOP-knop
- Open het toetsenbordvenster
- Zet de AAN-UIT-knop (21) op AAN
- Druk op de toets  om het probleem te verhelpen
- Druk de  toets nog een keer in en sluit het toetsenbordvenster
- De Landroid®L begint nu te maaien!

Scène 2: STOP – zonder automatische uitschakeling

- Druk op de STOP-knop
- Open het toetsenbordvenster
- Druk op de toets  om het probleem te verhelpen
- Druk de  toets nog een keer in en sluit het toetsenbordvenster
- De Landroid®L begint nu te maaien!

3.3 Hoe groot kan de oppervlakte van het gazon zijn?

Uw Landroid®L kan gebieden van verschillende formaten maaien, hoewel dit afhankelijk is van diverse factoren, zoals:

- Grassoort in uw gazon en groeisnelheid
- Scherpheid van de snijmesses (17)
- Vochtigheid
- Omgevingstemperatuur
- Obstakels in het grasveld

Woont u in een gebied met een zeer hoge omgevingstemperatuur, dan duurt het laden van de Landroid®L iets langer. De Landroid®L gebruikt minder energie in ene open gebied met minder obstakels, zoals bloembedden, fonteinen, paden enz... U kunt de standaardwerktijd van de Landroid®L voor gazons van verschillende formaten in de programmeringsgids vinden. De maaitijd kan per gazon verschillen, afhankelijk van de genoemde factoren. Stel de tijdsduur geleidelijk in tot u de beste instelling gevonden hebt.

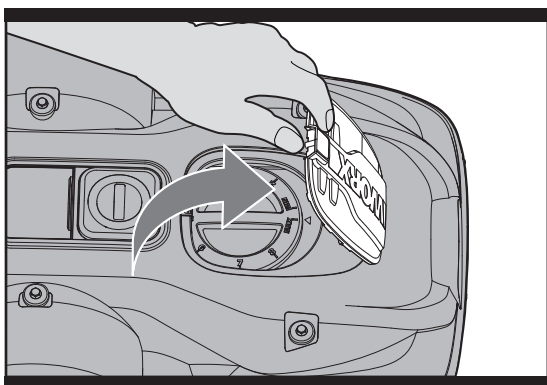
U kunt het werkschema van de Landroid®L ook programmeren volgens uw eigen tijdschema – verwijst naar de Gids voor het programmeren.

3.4 Hoe efficiënt maait de Landroid®L het gras?

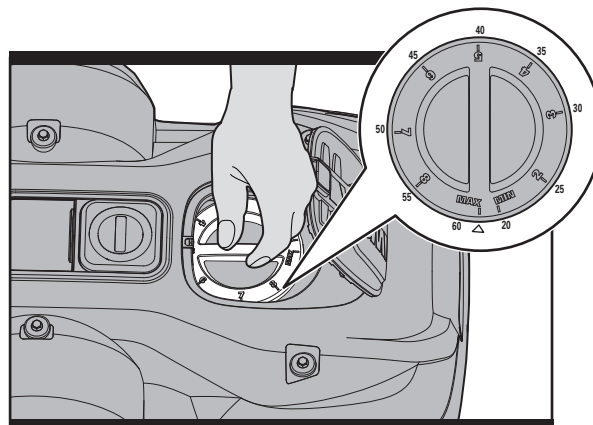
De snijhoogte van de Landroid®L kan worden ingesteld tussen 2 en 6 cm. Voordat u de Landroid®L voor het eerst start, zorgt u ervoor dat het gras niet hoger is dan 9 cm. Open dan de KAP VAN DE GRASMAAIHOOGTEAFSTELLING (6) en stel de maaihoogte in op de maximale maaihoogte van 6 cm

De Landroid®L werkt het best bij droog weer. Hij houdt niet van nat gras, wat zich kan ophopen op de draaischijf (16) en in de motor, en bovendien problemen kan geven met de aandrijving.

De Landroid®L is bang voor onweer. Bij onweer beschermt u de Landroid®L door de stekker van het laadstation (3) uit het stopcontact te nemen, de grensdraad (23) los te maken en ervoor te zorgen dat de Landroid®L niet opgeladen kan worden.



F



G

De Landroid®L houdt ervan om gras te maaien en heeft graag goede, scherpe snijmesses (17) om zijn werk zo goed mogelijk te doen. De Landroid®L kan de meeste dingen zelf doen, maar soms is uw hulp nodig om te voorkomen dat hij zich bezeert.

- Laat de Landroid®L niet op grind werken
- Verwijder obstakels waar de Landroid®L tegenop zou kunnen klimmen waarbij hij zich bezeert aan zijn messen
- Verwijder alle vreemde voorwerpen van het gras

4. Afstandsbediening (alleen voor specifieke modellen. Zie technische gegevens & conformiteitsverklaring)

Uw Landroid®L kan worden aangesloten op een smartphone. Alle algemene instellingen kunnen op uw telefoon worden ingesteld. De telefoon zal ook de actuele werktoestand tonen en zelfs fouten. Zie voor details de Landroid®L WIFI-aansluitingsgids.

5. Het principe van de grensdraad

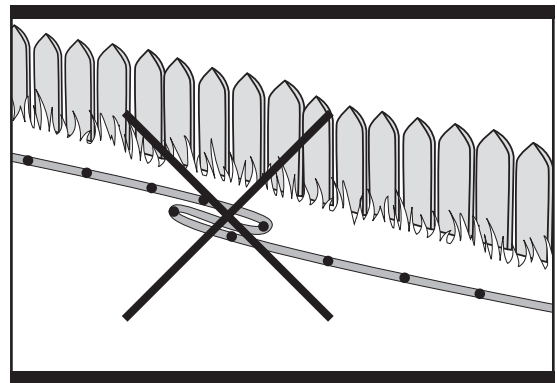
5.1 Het grensdraad vastleggen

Het grensdraad vastleggen voor het grensdraad (26) zorgt u voor de juiste afstand tot de rand van uw gazon (ten minste 45cm*).

* Dit is de aanbevolen afstand. Gebruik de meegeleverde afstandsmal om zeker te zijn van correcte installatie.

Gebruiken uw burens ook een Landroid®L, zorg dan voor minstens 0.5 meter ruimte tussen uw grensdraad en het grensdraad van uw burens.

Het grensdraad moet precies langs de rand van het gewenste maaigebied liggen. De Landroid®L raakt in de war als er extra stukken of lussen grensdraad zijn die niet gebruikt zijn om het maaigebied af te bakenen (Zie afbeelding H). Hebt u nog draad over nadat het maaigebied is afgebakend, snij het dan weg en bewaar het restant elders. Het is echter nodig wat extra lengte te gebruiken bij de verbinding met het laadstation en om de draad in te graven.



H

5.2 De grensdraad ingraven

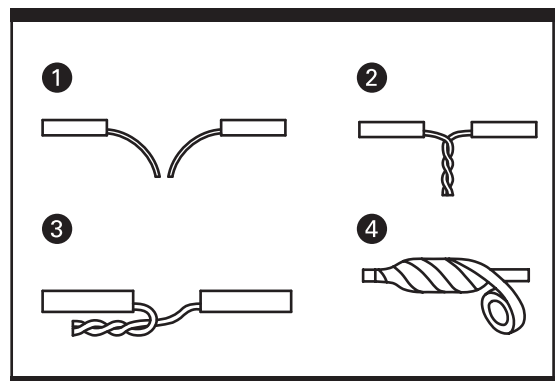
Wilt u het grensdraad ingraven, denk er dan aan dat de Landroid®L er moeite mee kan hebben om het laadstation voor de eerste keer te vinden, afhankelijk van de manier waarop de draad gelegd is. Het is aan te bevelen het grensdraad eerst met pennen langs het gazon te leggen zodat de ligging gemakkelijk gewijzigd kan worden. De Landroid®L stelt zich dan in op de nieuwe omgeving en zal correct met het laadstation werken voordat het grensdraad wordt ingegraven.

Wanneer u klaar bent met de installatie van het grensdraad, is het raadzaam op de home-toets te drukken om de Landroid®L het grensdraad te laten volgen.

Observeer hoe de Landroid®L het oplaadstation zoekt en pas waar nodig de ligging van het grensdraad aan, zodat de Landroid®L zonder problemen het grensdraad kan volgen tot bij zijn oplaadstation.

5.3 Verbindingen met het grensdraad

Het grensdraad (23) kan eenvoudig verlengd worden door de einden aan elkaar te lassen. Met plakband kunt u de las beschermen. (Zie afbeelding I)



I

6. Software-update

Uw Landroid®L-software kan worden bijgewerkt als er nieuwe versies beschikbaar zijn. De software-versie zal op de diagnosepagina worden weergegeven door op knop 2 op de homepage te drukken. De nieuwste software kan van onze website www.worxlandroid.com worden gedownload. Zie de gedetailleerde richtlijnen op de download-pagina. De handleiding in de doos is gebaseerd op de standaard-software uit de massaproductie. Enkele nieuwe instellingen/functies in de nieuwe versie staan wellicht niet in de handleiding. Kunt u enkele instellingen niet vinden in de handleiding, bezoek dan www.worxlandroid.com voor de meest recente handleiding.

7. Onderhoud

De Landroid®L moet af en toe gecontroleerd worden. De Landroid®L werkt hard en heeft af en toe een schoonmaakbeurt nodig, waarbij onderdelen vervangen worden, want ze kunnen slijten. Hieronder staat hoe u de Landroid®L verzorgt.

7.1 Houd hem scherp

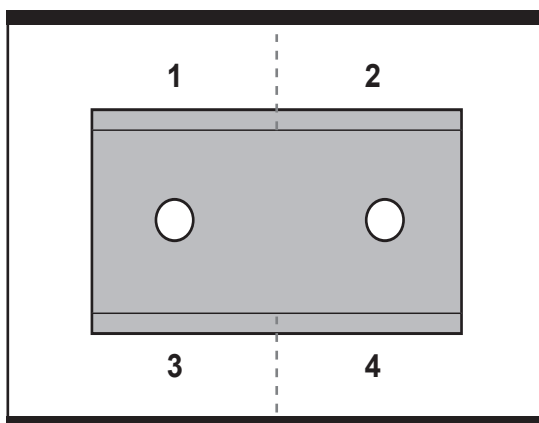


WAARSCHUWING: Zet uw Landroid®L vóór reiniging, afstelling of vervanging van de bladen op OFF en trek veiligheidshandschoenen aan.



WAARSCHUWING! Vervangt u het mes, vervang dan alle messen tegelijk. Gebruik altijd nieuwe schroeven bij het inzetten van messen. Dit is belangrijk opdat de messen goed vastzitten. Het gebruik van oude schroeven kan tot ernstige verwonding leiden.

De Landroid®L maait het gras niet zoals andere maaiers. De messen. (17) zijn aan alle kanten scherp als een scheermes en draaien in beide richtingen voor de maximale snijcapaciteit (Zie afbeelding J). Elk mes van de Landroid®L heeft 4 snijranden. Afhankelijk van de frequentie waarmee de Landroid®L uw gras maait, moeten de messen omgekeerd en gedraaid worden zodat er een nieuwe snijrand in bedrijf komt. Is de Landroid®L geprogrammeerd om het gras elke dag te maaien, dan moeten de messen maandelijks gedraaid worden voor de beste maairesultaten. Elk mes heeft een levensduur van maximaal 4 maanden als er elke dag gemaaid wordt. Zijn de messen bot en versleten, dan moeten ze vervangen worden door de reservemessen die met de Landroid®L geleverd zijn. U vindt ook reservemessen bij uw WORX-leverancier.



J

81

A. Messen draaien en omkeren

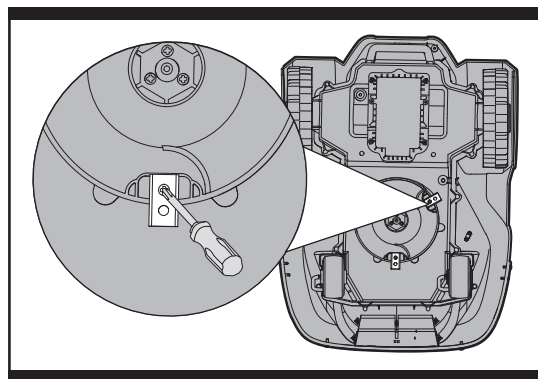
Uw Landroid®L draagt de messen die allemaal zijn vastgeschroefd op de mes draaiende schijf (16). Dankzij de messen kan de Landroid®L zijn werk doen. De messen hebben onderhoud en aandacht nodig. Om de zoveel tijd moet u alle messen tegelijkertijd draaien en omkeren voor een perfect maairesultaat. Als u de messen draait en omkeert, zorg er dan voor dat alle messen tegelijkertijd worden aangepast, zodat de schijf niet uit balans raakt. Werkt de Landroid®L volgens een normale (dagelijkse) planning, dan gaan de messen een seizoen mee als ze elke maand gedraaid en omgekeerd worden. Controleer steeds of de messen niet beschadigd zijn en vervang ze zo nodig.

B. De messen vervangen (Zie afbeelding. K)

Na enige tijd, meestal een keer per seizoen, moeten de messen van de Landroid®L vervangen worden. De Landroid®L heeft er een hekel aan om te werken met oude en nieuwe messen tegelijk, dus vervang ze allemaal tegelijk. U kunt ze vervangen met een van de drie kits met reservemessen en extra schroeven die met de Landroid®L geleverd zijn.

Voordat u begint met het vervangen van de messen van de Landroid®L, schakelt u de voeding uit en trekt u beschermende handschoenen aan. Ga dan als volgt te werk:

1. Keer de Landroid®L voorzichtig om
2. Verwijder het batterijklepje en verwijder de batterij.
3. Haal de schroeven uit de messen met een schroevendraaier.
4. Schroef de nieuwe messen er stevig op.
5. Plaats de batterij en het batterijklepje opnieuw.



K

BELANGRIJK: Nadat u de messen aan de schijf heeft vastgeschroefd, controleert u of de messen vrij kunnen draaien.

7.2 Houd hem schoon

! **WAARSCHUWING!** Zet uw uw Landroid®L op OFF vóórdat u hem schoonmaakt. Draag beschermende handschoenen als u de schijf (16) schoonmaakt en gebruik geen stromend water. (Zie afbeelding L)

A. De behuizing schoonmaken

De Landroid®L is gelukkiger en leeft langer als hij geregeld schoongemaakt wordt. Uw Landroid®L is een elektrisch apparaat dat met de nodige voorzichtigheid moet worden gereinigd. Gebruik daarom GEEN tuinslang of hogedrukreiniger, noch stromend water op uw Landroid®L. U gebruikt hiervoor het beste een sproeifles die gevuld is met water. Bij het schoonmaken van de behuizing gebruikt u een zachte borstel of schone doek, zonder oplos- of polijstmiddelen (Zie afbeelding L). Tenslotte verwijdert u alle resten van afgemaaid gras en vuil.

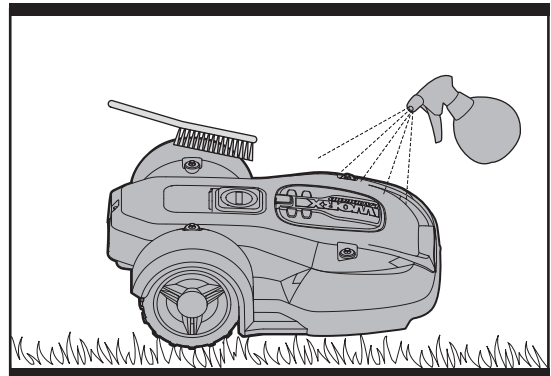
B. De onderkant schoonmaken

We herhalen het, het is belangrijk dat u de Landroid®L uitschakelt met de Aan/uitknop en dat u beschermende handschoenen draagt voordat u de schijf aanraakt (16). Keer de Landroid®L eerst ondersteboven, zodat de onderkant zichtbaar wordt. U ziet de schijf, het HOOFDBEHUIZING (14) en de voorste wielen (18) en de aandrijfwielen (11). Maak alles grondig schoon met een zachte doek of een zachte borstel. Draai aan de messenschijf om er zeker van te zijn dat deze vrij kan draaien. Controleer of de messen vrij draaien rondom de bevestigingsschroeven. Verwijder eventuele obstakels.

BELANGRIJK: Verwijder vastzittend materiaal zodat het geen barst in de schijf kan veroorzaken. Zelfs een kleine barst kan de maaiprestaties van de Landroid®L negatief beïnvloeden.

C. Maak de contactpinnen en de laad strips schoon

Maak de contactpin (2) op het laadstation (3) en de laadstrip (5) op de Landroid®L schoon met een doek. Verwijder restanten van gras en vuil rondom de contactpinnen en laad strips periodiek om zeker te weten dat de Landroid®L elke keer goed kan worden opgeladen.



L

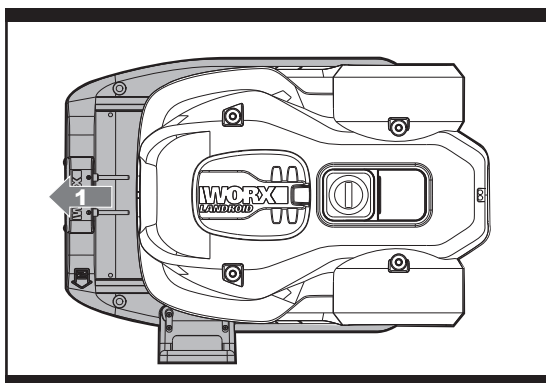
7.3 levensduur van de batterij

Het hart van de Landroid®L is een lithium-ion batterij van 28 volt. Er is geen onderhoud nodig. Voor de juiste opslag van de batterij zorgt u ervoor dat hij volledig opgeladen is en ligt op een droge plaats tussen 20°C en 60°C.

De levensduur van de batterij van de Landroid®L is van diverse factoren afhankelijk zoals:

- Hoe lang het maaiseizoen duurt in uw woonplaats
- aantal uren per dag dat de Landroid®L maait
- Onderhoud van de batterij bij opslag

Landroid®L kan handmatig worden opgeladen zonder de begrenzingskabel.



M1



M2

- Om de accu handmatig op te laden zonder aansluiting van de begrenzingskabel op het oplaadstation;**
- 1. Sluit het laadstation aan op een geschikte voedingsbron.**
 - 2. Plaats de uitgeschakelde Landroid®L handmatig in het laadstation. (Zie afbeelding M1)**
 - 3. Het rode lampje van het oplaadstation gaat branden.**
 - 4. Terwijl "opladen" op het scherm wordt weergegeven (zie fig. M2) De Landroid®L begint te laden.**

7.4 Winteropslag

De Landroid®L leeft langer en blijft gezonder als u hem een goede winterslaap gunt. Hij is onverwoestbaar, maar hij slaapt in de winter toch liever in de schuur of in de garage.

Voordat u de Landroid®L wegbrengt voor de winterslaap, zorgt u voor het volgende:

- Maak de Landroid®L grondig schoon
- Laad de batterij volledig op
- Schakel de Landroid®L uit

Om de levensduur van de batterij te verlengen, het is aan te bevelen de batterij volledig op te laden voor de winteropslag. Het grensdraad kan in de grond blijven liggen, maar de uiteinden moeten beschermd worden, bijvoorbeeld door de uiteinden in te vetten. Blijft het laadstation in de winter buiten, laat de grensdraad dan aangesloten.

OPMERKING: Neemt u de Landroid®L na de winterslaap weer in gebruik, zorg er dan voor dat de laad strips (5) en contactpinnen (2) schoon zijn. Het is aan te bevelen ze schoon te maken met een fijne schuurdoek. Zorg er dan voor dat datum en tijd juist zijn ingesteld en laat de Landroid®L doen wat hij graag doet: gras maaien.

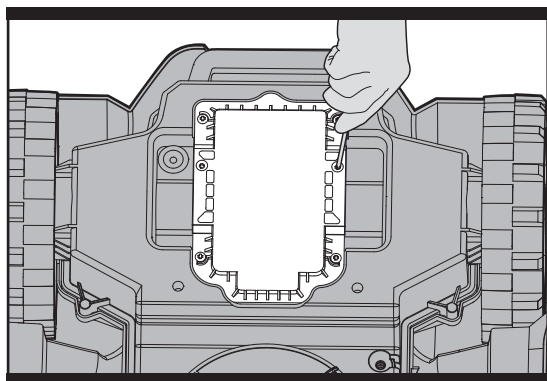
7.5 De batterij vervangen



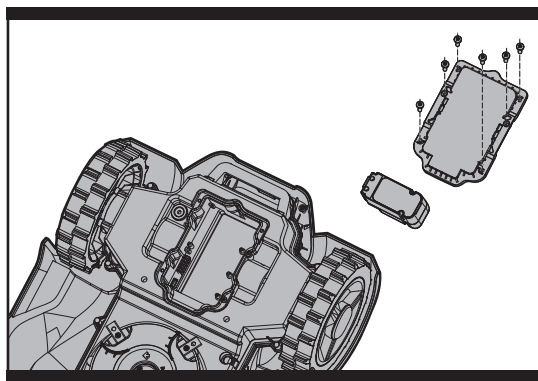
WAARSCHUWING! Zet de Aan/uitschakelaar in de stand UIT voordat u begint met enige instelling, vervanging of reparatie.

Moet u de batterij vervangen, ga dan als volgt te werk:

1. Keer de Landroid®L voorzichtig om.
2. Draai de vier schroeven van de batterij los (Zie afbeelding N)
3. Verwijder de oude batterij (Zie afbeelding O)
4. Monteer de nieuwe batterij
5. Draai de schroeven weer stevig vast



N



O

Bescherming van het milieu

- Afgedankte elektrische producten kunt u niet met het normale huisafval weggooien. Breng deze producten, indien mogelijk, naar een recyclecentrum bij u in de buurt. Vraag de verkoper of de gemeente naar informatie en advies over het recyclen van elektrische producten.

TŁUMACZENIE ORYGINALNYCH INSTRUKCJI

SPIS TREŚCI

1. Bezpieczeństwo Produktu	85
1.1 Ogólne i dodatkowe instrukcje bezpieczeństwa	85
1.2 Informacje dotyczące robota Landroid®L	87
2. Lista części	88
3. Zrozumienie pracy Landroid®L	90
3.1 Skąd Landroid®L wie, co kosić?	90
3.2 Skąd Landroid®L wie, gdzie jechać?	91
A. Odnajdywanie stacji ładowania	91
B. Czujniki deszczu	91
C. Wyczuwanie przewodu granicznego	91
D. Ruszanie i zatrzymywanie podczas koszenia	91
3.3 Jak duży obszar może skosić mój Landroid®L?	92
3.4 Jak skutecznie robot Landroid®L skosi trawę?	92
4. Zdalne sterowanie urządzeniem mobilnym	93
5. Podstawowe informacje dotyczące przewodu granicznego	93
5.1 Mocowanie przewodu granicznego	93
5.2 Zakopywanie przewodu granicznego	93
5.3 Łączenie przewodu granicznego	94
6. Aktualizacja oprogramowania	94
7. Konserwacja	94
7.1 Zachowanie ostrości	94
A. Obracanie i odwracanie ostrzy	94
B. Wymiana ostrzy	95
7.2 Zachowanie czystości	95
A. Czyszczenie korpusu	95
B. Czyszczenie spodniej części	95
C. Czyszczenie styków i taśm ładowania	95
7.3 Żywotność akumulatora	96
7.4 Przechowywanie w okresie zimowym	96
7.5 Wymiana akumulatora	97

1. Bezpieczeństwo Produktu

1.1 Ogólne i dodatkowe instrukcje bezpieczeństwa



OSTRZEŻENIE: Należy przeczytać wszystkie ostrzeżenia bezpieczeństwa i instrukcje.

Nieprzestrzeganie ostrzeżeń i instrukcji może spowodować porażenie prądem, pożar i/lub poważne obrażenia.

Należy dokładnie przeczytać instrukcje dotyczące bezpiecznego użytkowania urządzenia.

Zachować wszystkie ostrzeżenia i instrukcje na przyszłość.

- Niniejsze urządzenie nie jest przeznaczone do użytku przez osoby (wliczając w to dzieci) z obniżonymi zdolnościami fizycznymi, sensorycznymi lub umysłowymi oraz nieposiadające doświadczenia i wiedzy na temat urządzenia, chyba że zostaną będą one nadzorowane lub zostaną poinstruowane w zakresie obsługi urządzenia przez osobę odpowiedzialną za ich bezpieczeństwo.
- Należy zadbać o to, by dzieci nie bawiły się urządzeniem.
- Urządzenia można używać tylko z dołączonym do niego zasilaczem.

WAŻNE

PRZECZYTAĆ DOKŁADNIE PRZED KORZYSTANIEM

ZACHOWAĆ NA PRZYSZŁOŚĆ

BEZPIECZNE PRAKTYKI UŻYWANIA

Przeszkolenie

- a) Dokładnie przeczytać instrukcje. Upewnić się, że są one zrozumiałe oraz zaznajomić się z przyciskami sterowania i zasadami prawidłowego korzystania z urządzenia;
- b) Z urządzenia nie mogą korzystać osoby nieobeznane z niniejszymi instrukcjami lub dzieci. Miejscowe przepisy mogą ograniczać wiek osoby uprawnionej do korzystania z urządzenia;
- c) Operator lub użytkownik urządzenia ponoszą odpowiedzialność za zagrożenia powstałe dla osób trzecich lub ich mienia.

Przygotowanie

- a) Upewnić się, że przewód graniczny jest zainstalowany prawidłowo, zgodnie z instrukcjami.
- b) Regularnie sprawdzać obszar, w którym urządzenie ma być stosowane oraz usuwać wszystkie kamienie, patyki, druty, kości i inne ciała obce.
- c) Przeprowadzać regularne inspekcje wzrokowe ostrzy, trzpieni i zespołu tnącego pod kątem zużycia lub uszkodzenia. Wymieniać zużyte lub uszkodzone ostrza i trzpień w zestawach w celu zachowania wyważenia urządzenia.
- d) W przypadku urządzeń z wieloma narzędziami tnącymi należy zachować ostrożność, ponieważ ruch jednego ostrza może doprowadzić do rotacji pozostałych ostrzy.
- e) **OSTRZEŻENIE!** Nie należy korzystać z robota do koszenia trawy bez założonej osłony.

KORZYSTANIE Z URZĄDZENIA

1. INFORMACJE OGÓLNE

- a) Nigdy nie należy używać urządzenia z uszkodzonymi osłonami lub bez elementów zabezpieczających, np. deflektorów;
- b) Nie umieszczać rąk lub stóp w pobliżu obracających się części lub pod nimi. Zawsze trzymać się z dala od otworu wylotowego.
- c) Nigdy nie podnosić ani nie przenosić urządzenia, gdy silnik pracuje.
- d) Uruchomić mechanizm wyłączający urządzenia
 - Przed usuwaniem blokady;
 - Przed sprawdzaniem, czyszczeniem lub wykonywaniem prac na urządzeniu;
- e) Dokonywanie zmian w konstrukcji robota do koszenia trawy jest niedozwolone. Wszelkie modyfikacje wykonywane są na ryzyko użytkownika.
- f) Robotado koszenia trawy należy uruchamiać zgodnie z instrukcjami. Gdy przełącznik zasilania jest ustawiony w pozycji włączonej, upewnić się, że ręce i stopy znajdują się daleko od obracających się ostrzy. Nigdy nie należy umieszczać rąk lub nóg pod robotem.
- g) Nie wolno podnosić lub przenosić robota do koszenia trawy, gdy przełącznik zasilania ustawiony jest w pozycji włączonej.
- h) Nie dopuszczać do korzystania z robota osób, które nie są obeznane ze sposobem jej pracy i zachowania.
- i) Nie umieszczać żadnych przedmiotów na robocie lub stacji ładowania.
- j) Nie korzystać z robota do koszenia trawy w przypadku wadliwej tarczy tnącej lub korpusu. Nie należy również korzystać z robota w przypadku wadliwych ostrzy, śrub, nakrętek lub przewodów.
- k) Gdy robot nie będzie używany, należy zawsze wyłączać go przy użyciu głównego włącznika. Robot do koszenia trawy uruchamiany jest gdy przełącznik zasilania ustawiony jest w pozycji włączonej i wprowadzony zostanie prawidłowy kod PIN.

2. PONADTO, GDY NARZĘDZIE PRACUJE W TRYBIE AUTOMATYCZNYM

- a) Nie należy zostawiać pracującego urządzenia bez nadzoru wiedząc, że w pobliżu znajdują się zwierzęta domowe, dzieci lub inne osoby.

KONSERWACJA I PRZECHOWYWANIE



OSTRZEŻENIE! Gdy kosiarka jest odwrócona spodem do góry, przełącznik zasilania musi być wyłączony.

Przycisk zasilania powinien być wyłączony zawsze, gdy prowadzone są jakiegokolwiek prace przy dolnej ramie kosiarki, na przykład czyszczenie lub wymiana ostrzy.

- a) Wszystkie nakrętki, trzpienie i śruby muszą być dokręcone, aby upewnić się, że urządzenie jest w bezpiecznym stanie.
b) Sprawdzać stan robota do koszenia trawy co tydzień i wymieniać zużyte lub uszkodzone części w celu zachowania bezpieczeństwa.
c) Należy w szczególności sprawdzać ostrza i tarczę tnącą pod kątem uszkodzeń. W razie konieczności wszystkie ostrza i śruby należy wymieniać w tym samym czasie, aby zachować wyważenie części obrotowych.
d) Upewnić się, iż użyto właściwego rodzaju zamiennych części tnących.
e) Upewnić się, że akumulatory są ładowane przy użyciu odpowiedniej ładowarki zaleconej przez producenta. Nieprawidłowe zastosowanie może spowodować porażenie prądem, przegrzanie lub wyciek płynu korozyjnego z akumulatora
f) W przypadku wycieku elektrolitu z akumulatora należy przepłukać miejsce wodą/środkiem neutralizującym, a w przypadku, gdy elektrolit wejdzie w kontakt z oczami, itp., należy zasięgnąć pomocy lekarskiej.
g) Urządzenie powinno być serwisowane zgodnie z instrukcjami producenta.

Transport

Do transportu robota do koszenia trawy na duże odległości należy zastosować oryginalne opakowanie.

W celu bezpiecznego przeniesienia z miejsca pracy lub w jego obrębie:

- a) Nacisnąć przycisk STOP w celu zatrzymania robota.
b) 4-cyfrowy kod PIN jest wybierany podczas pierwszego uruchomienia robota.
c) Zawsze wyłączać robota do koszenia trawy, gdy ma być przenoszony.
d) Robota należy przenosić trzymając za uchwyt znajdujący się pod tylną częścią robota. Robota należy przenosić trzymając tarczę tnącą z dala od ciała.



Instrukcja bezpieczeństwa dotycząca modułu akumulatora

- a) **Nie demontuj, nie otwieraj lub nie niszc ogniw pomocniczych lub modułu akumulatora.**
b) **Nie zwieraj ogniwa lub modułu akumulatora. Nie przechowuj ogniw lub modułu akumulatora w sposób bezładny w pudle lub szufladzie, gdzie mogą się wzajemnie zewrzeć lub ulec zwarcia przez inne metalowe przedmioty.** Nie używany akumulator należy trzymać z daleka od spinaczy, monet, kluczy, gwoździ, śrub lub innych małych przedmiotów metalowych, które mogłyby spowodować zmostkowanie kontaktów. Zwarcie pomiędzy kontaktami akumulatora może spowodować oparzenia lub pożar.
c) **Nie narażaj ogniw lub modułu akumulatora na działanie ciepła lub ognia. Unikaj składowania w miejscach pod bezpośrednim działaniem światła słonecznego.**
d) **Nie narażaj ogniw lub modułu akumulatora na uderzenia mechaniczne.**
e) **W razie wycieku z ogniwa, nie dopuść, aby płyn zetknął się ze skórą lub dostał się do oczu. Jeśli już nastąpił kontakt z płynem, przemyj skażoną powierzchnię dużą ilością wody i zwróć się o pomoc medyczną.**
f) **Nie używaj ogniwa lub modułu akumulatora nie przeznaczonego do pracy z danym urządzeniem.**
g) **Utrzymuj ogniwa i moduł akumulatora w czystości i w stanie suchym.**
h) **Ogniwa pomocnicze oraz moduł akumulatora osiągają największą wydajność podczas pracy w normalnej temperaturze pokojowej (20°C ± 5°C).**
i) **Podczas utylizacji akumulatorów należy oddzielić od siebie akumulatory o różnych systemach elektromechanicznych.**
j) **Akumulatory należy ładować tylko w ładowarkach, które poleci) producent. Dla ładowarki, która nadaje się do ładowania określonych akumulatorów istnieje niebezpieczeństwo pożaru, gdy użyte zostaną inne akumulatory.**
k) **Nie używaj ogniwa lub modułu akumulatora nie przeznaczonego do pracy z danym urządzeniem.**
l) **Trzymaj ogniwa i moduł akumulatora poza zasięgiem dzieci.**
m) **Zachowaj oryginalne instrukcje produktu do wglądu.**
n) **Zużyte ogniwa i akumulatory utylizuj zgodnie z zasadami gospodarki odpadami.**

1.2 Informacje dotyczące Landroid® L



OSTRZEŻENIE – robot do koszenia trawy może być niebezpieczny w przypadku niewłaściwego użytkowania.

Przed przystąpieniem do użytkowania robota do koszenia trawy należy dokładnie przeczytać i zrozumieć tekst Instrukcji obsługi.



OSTRZEŻENIE – Zachować bezpieczną odległość od urządzenia podczas jego pracy.



OSTRZEŻENIE – Przed przystąpieniem do prac na urządzeniu lub jego podnoszeniem należy je wyłączyć.



OSTRZEŻENIE – Nie jeździć na urządzeniu.



Nie spalać.



W przypadku nieprawidłowej utylizacji akumulatory mogą przedostać się do obiegu wodnego, co może być szkodliwe dla ekosystemu. Nie utylizować akumulatorów w taki sam sposób, jak niesortowane odpady komunalne.



Li-Ion

Akumulatory należy poddać recyklingowi. Nie utylizować baterii. Zwrócić wyczerpane baterie do lokalnego punktu recyklingu.



Nie myć maszyny myjką ciśnieniową.

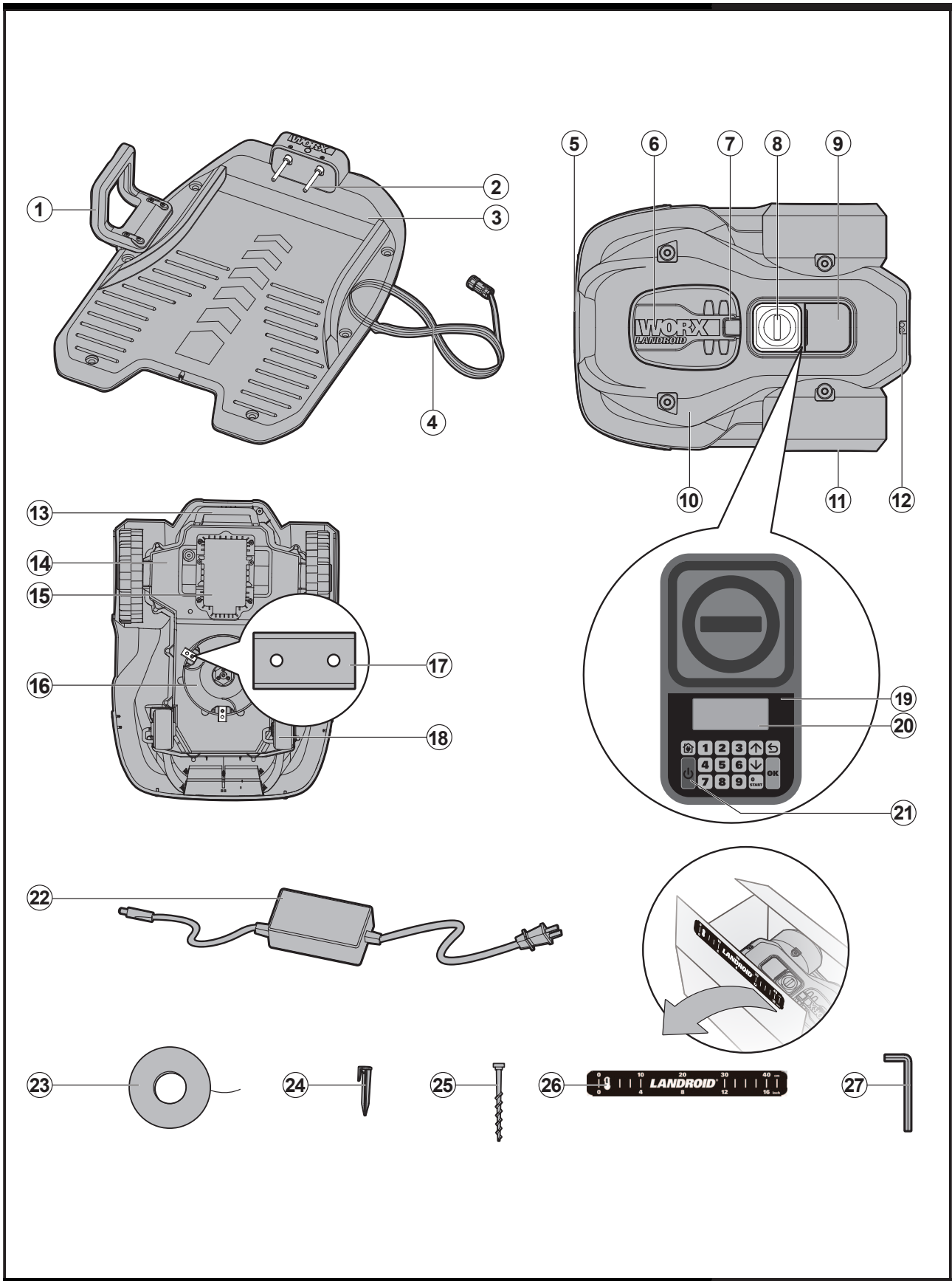


Urządzenie klasy III



Odpady wyrobów elektrycznych nie powinny być wyrzucane razem z odpadami gospodarstwa domowego. Należy korzystać z recyklingu, jeśli istnieje odpowiednia infrastruktura. Porady dotyczące recyklingu można uzyskać u władz lokalnych lub sprzedawcy detalicznego

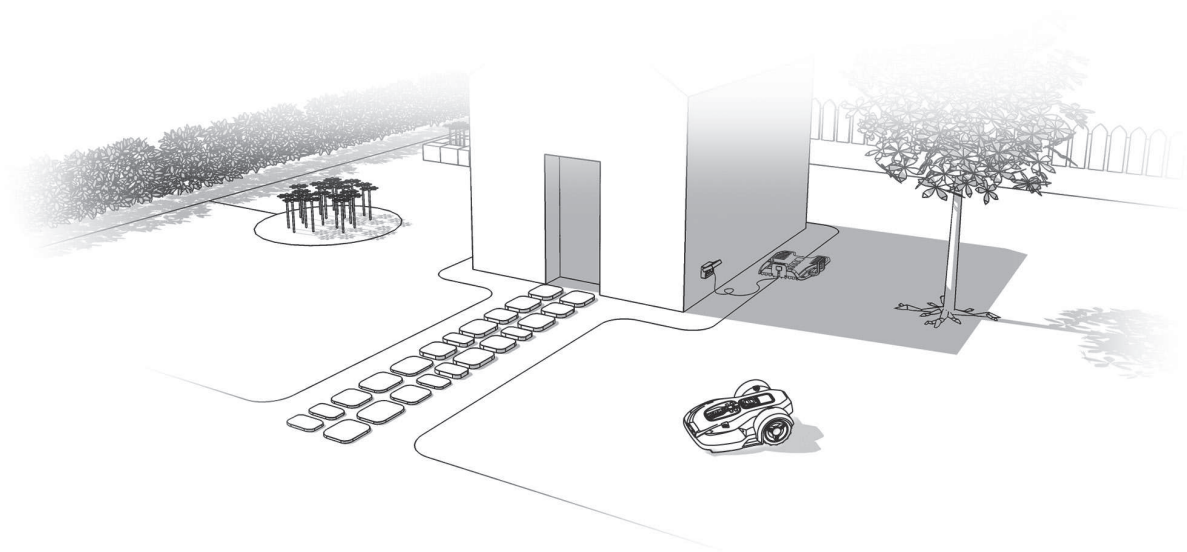
2. Lista Części



-
1. **UCHWYT**
 2. **WTYKI**
 3. **STACJA ŁADOWANIA**
 4. **PRZEWÓD NISKIEGO NAPIĘCIA**
 5. **TAŚMA ŁADOWANIA**
 6. **POKRYWA REGULACJI WYSOKOŚCI CIĘCIA TRAWY**
 7. **PUNKT DOSTĘPU – ABY OTWORZYĆ POKRYWĘ REGULACJI.**
 8. **PRZYCISK ZATRZYMANIA**
 9. **OKNO KLAWIATURY**
 10. **POWIERZCHNIA ROBOTA Landroid®L**
 11. **TYLNE KOŁO NAPĘDOWE**
 12. **CZUJNIK DESZCZU**
 13. **RĄCZKA**
 14. **OBUDOWA GŁÓWNA – ZAWIERA SILNIK, ELEMENTY ELEKTRYCZNE I AKUMULATOR.**
 15. **AKUMULATOR**
 16. **TARCZA OBROTOWA Z OSTRZEM**
 17. **OSTRZE TNĄCE**
 18. **PRZEDNIE KOŁO**
 19. **KLAWIATURA NUMERYCZNA**
 20. **WYŚWIETLACZ**
 21. **PRZYCISK ON/OFF (WŁ./WYŁ.)**
 22. **ZASILACZ SIECIOWY**
 23. **PRZEWÓD GRANICZNY**
 24. **SZPILKI DO PRZEWODÓW**
 25. **ŚRUBY MOCUJĄCE STACJI ŁADOWANIA**
 26. **MIERNIK ODLEGŁOŚCI PRZEWODU GRANICZNEGO**
 27. **KLUCZ IMBUSOWY**
-

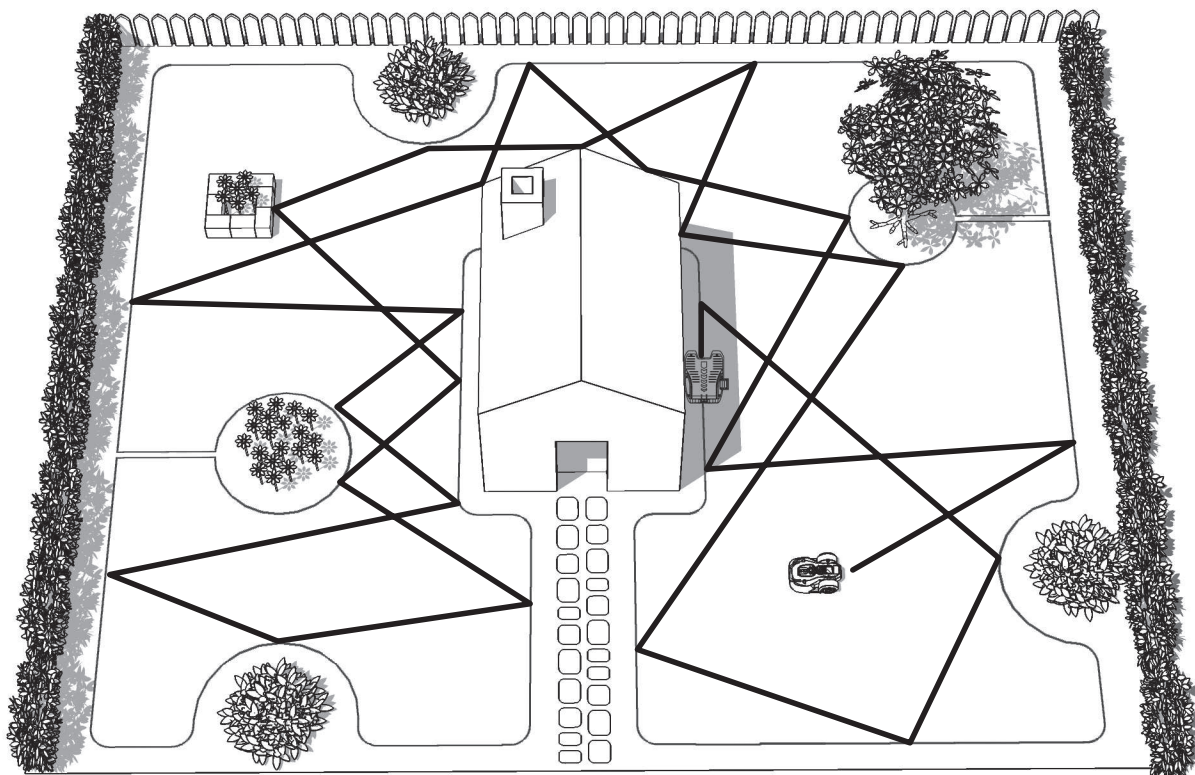
3. Zrozumienie pracy Landroid® L

Gratulujemy zakupu nowego robota do koszenia trawy Landroid® L i wejścia w świat bezstreskiego, automatycznego koszenia trawy. W tej części przedstawimy informacje, które pomogą lepiej zrozumieć sposób myślenia robota Landroid® L.



3.1 Skąd Landroid® L wie, co kosić?

Landroid® L losowo wybiera kierunek ruchu. Robot zadba o to, by cały trawnik był równo skoszony bez zostawienia nieatrakcyjnych śladów (patrz Rys. A).



A

3.2 Skąd Landroid® L wie, gdzie jechać?

Robot do koszenia trawy Landroid® L jest zdolny wykonywać czynności samodzielnie. Landroid® L wie, kiedy musi udać się do swojej stacji ładowania (3), wyczuwa deszcz, może przestać pracować, jeśli napotka na problem oraz wie, kiedy się zatrzymać i obrócić, gdy napotka na swojej drodze przeszkodę lub inny obiekt. Jeśli zostanie podniesiony z ziemi, Landroid® L automatycznie zatrzyma pracę tarczy tnącej (16) w celu uniknięcia wypadku.

A. Odnajdywanie stacji ładowania

Gdy robot Landroid® L będzie wymagał ładowania, przestanie kosić trawę i wróci do stacji ładowania poruszając się wzdłuż przewodu granicznego (23) w kierunku przeciwnym do ruchu wskazówek zegara. Robot Landroid® L jest zaprogramowany do tego, aby kosić trawę w pobliżu przewodu granicznego raz w tygodniu. Chcąc kosić trawę w pobliżu przewodu granicznego o innych porach, otworzyć okno klawiatury, nacisnąć przycisk strony głównej i zamknąć okno klawiatury.

Robot Landroid® L przestanie kosić, zlokalizuje przewód graniczny oraz skosi trawę w jego pobliżu, równocześnie lokalizując stację ładowania.

Zalecamy używanie tej funkcji, gdy poziom akumulatora jest nie mniejszy niż 75%. Poziom naładowania akumulatora można sprawdzić na wyświetlaczu.

B. Czujniki deszczu

Robot do koszenia trawy Landroid® L posiada czujnik deszczu (12), który wyczuwa krople deszczu i w takiej sytuacji nakaże robotowi Landroid® L zaprzestać koszenia i powrócić do stacji ładowania wzdłuż przewodu granicznego (patrz Rys. B).


W przypadku deszczu istnieje możliwość zaprogramowania funkcji opóźnionego startu pracy (0 – 180 min.) robota Landroid® L. W momencie, gdy czujniki deszczu będą mokre, robot Landroid® L powróci do swojej stacji ładowania. Robot Landroid® L rozpocznie odliczanie do opóźnionego startu lub natychmiast rozpocznie koszenie jedynie, gdy czujniki deszczu będą suche. Więcej informacji można zobaczyć w Instrukcji programowania i rozwiązywania problemów.

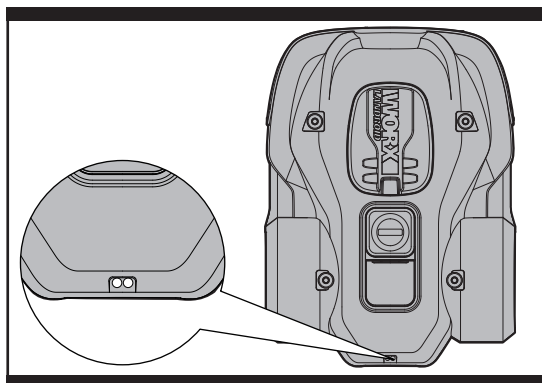
C. Wyczuwanie przewodu granicznego

Robot Landroid® L zawsze przestrzega granicy wyznaczonej przez przewód graniczny oraz korzysta z dwóch czujników znajdujących się z przodu w celu wykrycia zbliżenia (patrz Rys. C). Przed zmianą kierunku robot Landroid® L najedzie na maks. 25cm* przewodu granicznego.

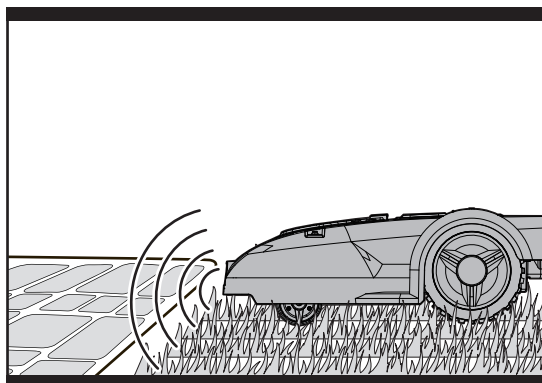
* Jest to zalecany dystans. Należy użyć załączonego miernika odległości w celu zapewnienia prawidłowej instalacji.

D. Uruchomienie i zatrzymanie podczas koszenia

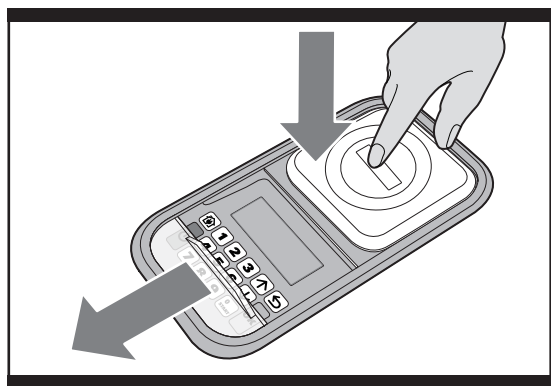
Chcąc, aby robot Landroid® L zaprzestał koszenia, wystarczy nacisnąć przycisk STOP (8) na górze kosiarki. robot nie wznowi koszenia do momentu naciśnięcia  i zamknięcia okna klawiatury (patrz Rys. D, E) Jeśli robot Landroid® L wyczuje jakiś problem, pokaże komunikat błędu na wyświetlaczu (20) i wyłączy się, jeśli nie



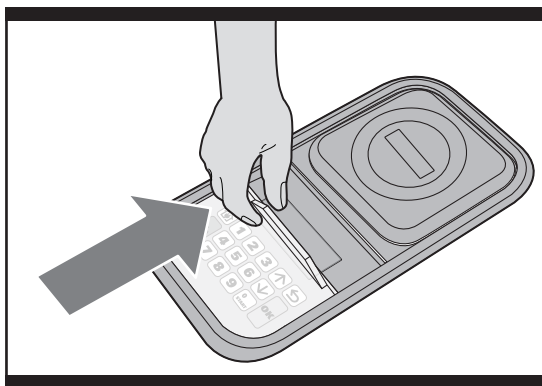
B



C



D





E



nastąpi reakcja użytkownika w ciągu 20 minut (informacje na temat komunikatów błędów można znaleźć w Instrukcji programowania i rozwiązywania problemów).

W celu wznowienia pracy urządzenia:

Sytuacja 1: STOP – Automatyczne wyłączenie po upływie 20 minut

- Nacisnąć przycisk STOP
- Otworzyć okno klawiatury
- Ustawić klawisz ON/OFF (WŁ./WYŁ.) (21) na ON.
- Nacisnąć klawisz , aby usunąć problem.
- Ponownie nacisnąć klawisz  i zamknąć okno klawiatury
- Robot Landroid®L zacznie kosić trawę!

Sytuacja 2: STOP – Bez automatycznego wyłączenia

- Nacisnąć przycisk STOP
- Otworzyć okno klawiatury
- Nacisnąć klawisz , aby usunąć problem.
- Ponownie nacisnąć klawisz  i zamknąć okno klawiatury
- Robot Landroid®L zacznie kosić trawę!

3.3 Jak duży obszar może skosić mój Landroid®L mow?

Robot do koszenia trawy Landroid®L może kosić obszary różnych wielkości, aczkolwiek zależy to od różnych czynników, takich jak:

- Gatunek trawy na trawniku i szybkość wzrostu
- Ostrość ostrzy tnących (17)
- Wilgotność
- Temperatura otoczenia
- Liczba przeszkód na trawniku

Jeśli temperatura otoczenia jest bardzo wysoka, wówczas ładowanie robota Landroid®L może być nieznacznie wolniejsze. Robot Landroid®L zużywa mniej energii w otwartych przestrzeniach z mniejszą liczbą przeszkód jak klomby, fontanny, przejścia, itp.

Domyślny czas pracy robota Landroid®L dla różnych wielkości trawnika można znaleźć w podręczniku programowania.

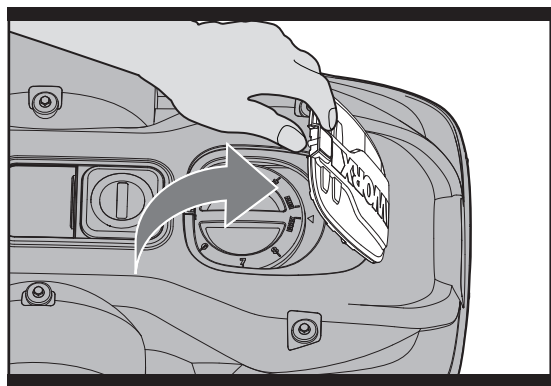
Czas koszenia są różne dla różnych trawników i zależą od wspomnianych powyżej czynników. Dostosowywać czas stopniowo, tak aby Landroid®L mógł kosić codziennie, do momentu znalezienia najlepszego ustawienia.

Można także zaprogramować czas pracy robota Landroid®L tak, aby był dostosowany do planu dnia właściciela – patrz Instrukcja programowania.

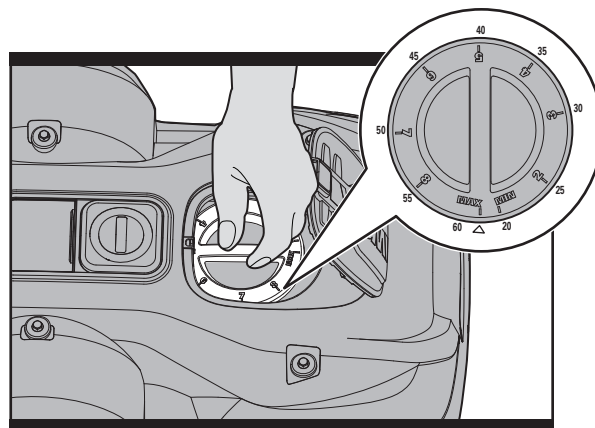
3.4 Jak skutecznie robot Landroid®L skosi trawę?

Wysokość koszenia robota Landroid®L można ustawić w przedziale 2 cm - 6cm. Przed pierwszym uruchomieniem robota Landroid®L należy skosić trawę tak, aby jej wysokość nie przekraczała 9 cm. Następnie upewnić się, że POKRYWA REGULACJI WYSOKOŚCI CIĘCIA TRAWY (6) zostanie otwarta oraz dostosować wysokość cięcia na maksymalną wartość 6 cm (patrz Rys. F, G).

Robot Landroid®L tnie najlepiej, gdy jest sucho. Nie lubi mokrej trawy, która może zgromadzić się na tarczy tnącej (16) oraz w silniku, a także może spowodować gorszą przyczepność oraz poślizgnięcie się podczas pracy.



F



G

Robot Landroid®L boi się burz z piorunami. W przypadku takiej burzy należy chronić robota Landroid®L poprzez odłączenie zasilania stacji ładowania (3), odłączenie przewodu granicznego (23) a także upewnienie się, że Landroid®L nie będzie mógł rozpocząć ładowania.

Robot Landroid®L uwielbia kosić trawę i aby robić to jak najlepiej, potrzebuje ostrzy tnących (17) w dobrym stanie. Robot Landroid®L może wykonać większość zadań samodzielnie, lecz od czasu do czasu niezbędna będzie pomoc użytkownika w celu uniknięcia jego uszkodzenia.

- Nigdy nie należy dopuścić do pracy robota Landroid®L na żwirze.
- Usunąć przeszkody lub uniemożliwić dostęp do przeszkód, na które robot Landroid®L mógłby przypadkowo wjechać i uszkodzić obrotową tarczę z ostrzami..
- Usunąć jakikolwiek gruz i ciała obce ze swojego trawnika.

4. Zdalne Sterowanie Urządzeniem Mobilnym (jedynie dla konkretnego modelu; należy sprawdzić Specyfikacje techniczne i Deklarację zgodności)

Robot Landroid®L można połączyć ze smartfonem. Wszystkie ogólne ustawienia można wprowadzić w telefonie, który będzie również rozpoznawał obecny status pracy, a nawet błędy. Szczegółowe informacje można znaleźć w Instrukcji konfiguracji Wi-Fi robota Landroid®L.

5. Podstawowe informacje dotyczące przewodu granicznego

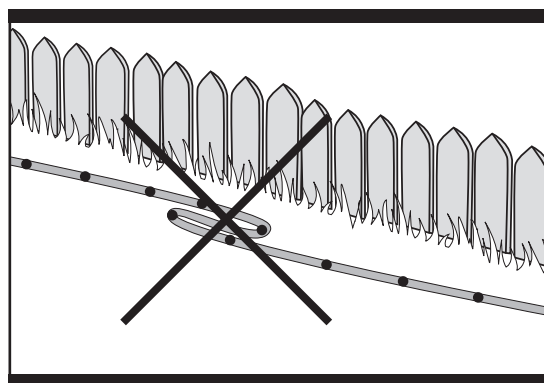
5.1 Mocowanie przewodu granicznego

Należy zastosować miernik odległości przewodu granicznego (26) w celu ustawienia prawidłowej odległości od brzegu trawnika (ponad 45cm *).

* Jest to zalecany dystans. Należy użyć załączonego miernika odległości w celu zapewnienia prawidłowej instalacji.

Jeśli sąsiad również korzysta z robota Landroid®L, należy zachować co najmniej 0.5 metry odstęp między przewodami granicznymi.

Przewód graniczny musi dokładnie wyznaczać obszar do koszenia. Dodatkowe zagięcia lub zwoje przewodu granicznego niebędące częścią obszaru do koszenia spowodują wprowadzenie robota Landroid®L w błąd (patrz Rys. H). Jeśli do wyznaczenia obszaru do koszenia nie zostanie użyty cały przewód graniczny, nadmiar należy odciąć i przechować w innym miejscu. Jednakże ważne jest, aby zachować niezbędną długość w miejscu podłączenia do stacji ładowania tak, aby przewód mógł być podłączony i równocześnie zakopany.



H

5.2 Zakopywanie przewodu granicznego

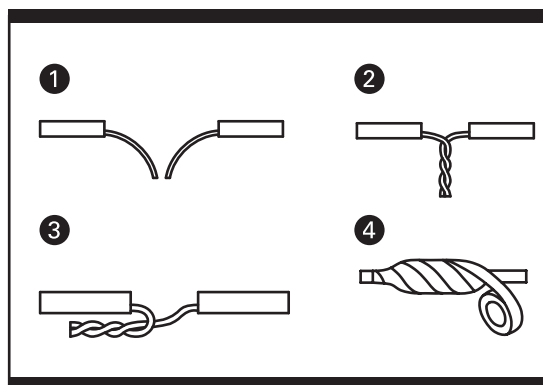
Planując zakopanie przewodu granicznego należy pamiętać, iż podczas pierwszego łączenia ze stacją ładowania robot Landroid®L może mieć problem ze sposobem, w jaki rozmieszczono przewód. Zaleca się, aby najpierw zamocować przewód graniczny na trawniku tak, aby w razie konieczności można było z łatwością dokonać zmian. Dzięki temu robot Landroid®L przystosuje się do nowego otoczenia i będzie skutecznie współpracował ze stacją ładowania zanim przewód graniczny zostanie zakopany.

Po zakończeniu instalacji przewodu granicznego zaleca się wydanie robotowi Landroid®L polecenia przejazdu wzdłuż przewodu poprzez naciśnięcie przycisku „home“.

Podczas obserwacji poszukiwania stacji ładującej przez robota Landroid®L można zmienić przebieg przewodu granicznego tak, aby robot mógł bezproblemowo za nim podążać podczas powrotu do stacji ładującej.

5.3 Łączenie przewodu granicznego

Przewód graniczny (23) można przedłużyć poprzez splecenie końcówek różnych kawałków przewodu. W celu zabezpieczenia łączenia przewodu można zastosować taśmę izolacyjną. (patrz Rys. I)



6. Aktualizacja oprogramowania

Oprogramowanie robota Landroid®L może zostać zaktualizowane, gdy dostępne staną się nowe wersje. Wersja oprogramowania zostanie wyświetlona na stronie diagnostyki przez wciśnięcie przycisku 2 na stronie głównej. Najnowszą wersję oprogramowania można pobrać z naszej strony internetowej www.worxlandroid.com. Szczegółowe instrukcje można znaleźć na stronie pobierania.

Instrukcja w pudełku jest oparta na domyślnym oprogramowaniu będącym w masowej produkcji. Niektóre nowe cechy/funkcje typowe dla nowej wersji mogą nie być zawarte w tej instrukcji. W przypadku odkrycia, że niektóre ustawień nie ma w tej instrukcji, proszę odwiedzić stronę www.worxlandroid.com w celu pobrania najnowszej instrukcji.

7. Konserwacja

Robot Landroid®L musi być okresowo sprawdzany. Robot Landroid®L pracuje ciężko i po pewnym czasie wymaga dokładnego czyszczenia, jak również wymiany części, które mogą ulec zużyciu. W tej części chcemy pokazać, w jaki sposób zadbać o swojego robota Landroid®L.

7.1 Zachowanie ostrości

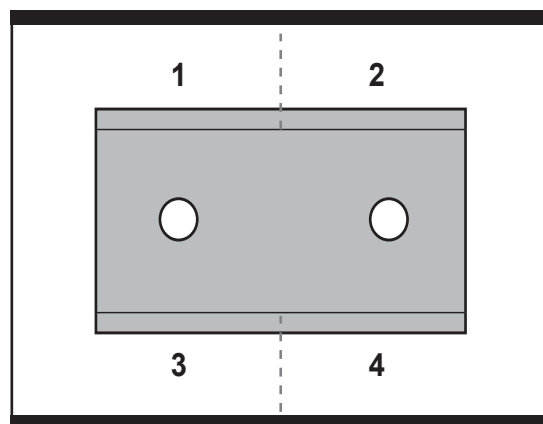
! OSTRZEŻENIE: Przed przystąpieniem do regulacji lub wymiany ostrzy należy wyłączyć robota Landroid®L oraz należy włożyć rękawice ochronne.

! OSTRZEŻENIE! Przy wymianie ostrzy na nowe, należy wymienić WSZYSTKIE ostrza. Do mocowania ostrzy zawsze używać nowych śrub. Jest to ważne dla zapewnienia utrzymania ostrzy. Jeśli nie zostaną użyte nowe śruby, może to doprowadzić do poważnych obrażeń.

Robot Landroid®L nie kosi trawy tak, jak inne kosiarki. Jego ostrza tnące (17) są bardzo ostre na wszystkich czterech krawędziach i obracają się w obu kierunkach w celu uzyskania maksymalnej wydajności tnącej (patrz Rys. J). Każde ostrze robota Landroid®L posiada 4 krawędzie tnące. W zależności od częstotliwości z jaką robot Landroid®L kosi trawnik, należy regularnie odwracać/obracać ostrza w celu zastosowania nowej krawędzi tnącej. Jeśli robot Landroid®L jest zaprogramowany do codziennego koszenia trawnika, wówczas ostrza tnące muszą być obracane co miesiąc w celu uzyskania najlepszych wyników koszenia. W przypadku codziennego koszenia każde ostrze tnące wytrzyma do 4 miesięcy. W momencie stępienia i zużycia ostrzy tnących powinny one zostać wymienione na ostrza zapasowe dostarczone wraz z robotem Landroid®L. Zapasowe ostrza można nabyć również u najbliższego sprzedawcy sprzętu WORX.

A. Obracanie i odwracanie ostrzy

Robot do koszenia trawy Landroid®L posiada ostrza, które są zamocowane śrubami na tarczy tnącej (16). Dzięki nim robot Landroid®L może wykonywać swoją pracę i wymagają one uwagi. Co jakiś czas ostrza powinny zostać równocześnie obrócone i odwrócone w celu zapewnienia idealnego cięcia. Podczas obracania i odwracania ostrzy należy upewnić się, że wszystkie ostrza zostaną wyregulowane w tym samym czasie. W przeciwnym wypadku tarcza tnąca może stracić wyważenie. Jeśli robot Landroid®L kosi trawę według normalnego planu (codziennie), ostrza powinny wytrzymać co



J

najmniej jeden sezon, jeśli będą obracane i odwracane co miesiąc. Należy zawsze sprawdzać ostrza pod kątem złamań lub uszkodzeń oraz wymienić je w razie potrzeby.

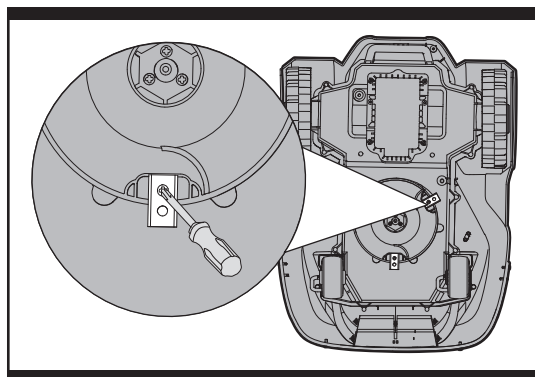
B. Wymiana ostrzy (patrz Rys.K)

Po pewnym czasie, zazwyczaj co sezon, należy wymienić ostrza robota Landroid®L. Robot Landroid®L nie lubi kosić trawy przy użyciu ostrzy o różnym stopniu nowości i jakości. Tak więc wymieniając ostrza należy upewnić się, by były one wymienione wszystkie w tym samym czasie. Można wymienić je przy użyciu jednego z trzech zapasowych zestawów ostrzy oraz dodatkowych śrub do ich mocowania, dostarczonych wraz z robotem Landroid®L.

Przed przystąpieniem do wymiany ostrzy w robocie Landroid®L należy wyłączyć zasilanie i włożyć rękawice ochronne. Następnie należy wykonać następujące kroki:

1. Delikatnie odwrócić robota Landroid®L do góry dnem.
2. Zdjąć pokrywę akumulatora i wyjąć akumulator.
3. Odkręcić śruby z ostrzy przy użyciu śrubokrętu.
4. Dokładnie dokręcić śruby na nowych ostrzach.
5. Ponownie włożyć akumulator i pokrywę.

WAŻNE: Po przykręceniu ostrza do tarczy ostrzy upewnić się, że ostrze obraca się swobodnie.



K

7.2 Zachowanie czystości

! OSTRZEŻENIE! Przed przystąpieniem do czyszczenia należy wyłączyć robota Landroid®L. Przed wyczyszczeniem tarczy tnącej (16) włożyć rękawice ochronne i nie używać wody bieżącej. (patrz Rys. L)

A. Czyszczenie korpusu

Robot Landroid®L będzie miał dużo lepszą i większą żywotność, jeśli będzie czyszczony regularnie. Ponieważ robot Landroid®L jest urządzeniem elektrycznym, należy zachować uwagę podczas jego czyszczenia i NIE używać węża, myjki ciśnieniowej lub nie wylewać bieżącej wody na robota Landroid®L w inny sposób. Najlepiej użyć butelki spryskiwacza wypełnionej wodą. Korpus urządzenia należy czyścić przy użyciu miękkiej szczotki lub czystej szmatki oraz należy unikać używania rozpuszczalników lub środków do nadawania połysku (patrz Rys. L). Należy też pamiętać o usunięciu wszystkich nagromadzonych resztek trawy i zanieczyszczeń.

B. Czyszczenie spodniej części

Należy pamiętać o wyłączeniu robota Landroid®L przy użyciu przycisku ON/OFF (WŁ./WYŁ.) oraz o włożeniu rękawic ochronnych przed dotknięciem tarczy tnącej (16).

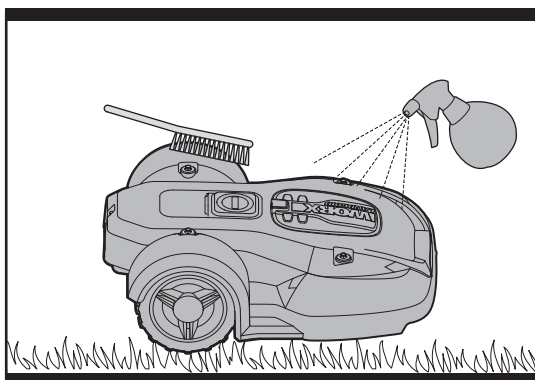
Najpierw należy odwrócić robota Landroid®L dnem do góry w celu uzyskania dostępu do spodniej części. Dzięki temu można zobaczyć tarczę tnącą, OBUDOWA GŁÓWNA (14) oraz przednie koło (18) i koło napędowe (11). Wyczyścić wszystko dokładnie przy użyciu miękkiej szczotki lub wilgotnej szmatki.

Obrócić tarczę tnącą w celu upewnienia się, że porusza się ona swobodnie. Upewnić się, że ostrza obracają się swobodnie wokół śrub mocujących. Usunąć wszelkie przeszkody.

WAŻNE: Usunąć wszelkie zgromadzone zabrudzenia, aby uniknąć pęknięcia tarczy ostrzy. Nawet najmniejsze pęknięcie może zmniejszyć wydajność koszenia robota Landroid®L.

C. Czyszczenie styków i taśm ładowania

Wyczyścić wtyk (2) znajdujący się na stacji ładowania (3) oraz taśmę ładowania (5) umieszczoną na robocie Landroid®L przy użyciu szmatki. Regularnie usuwać wszelkie nagromadzone ścinki trawy i zanieczyszczenia wokół wtyków oraz taśm ładowania w celu zapewnienia każdorazowego skutecznego ładowania robota Landroid®L.



L

7.3 Żywotność akumulatora

Sercem robota do koszenia trawy Landroid®L jest akumulator litowo-jonowy 28 v. Żadna konserwacja nie jest wymagana. W celu zapewnienia odpowiednich warunków przechowywania akumulatora należy upewnić się, że jest on w pełni naładowany i trzymany w chłodnym, suchym miejscu (20°C – 60°C).

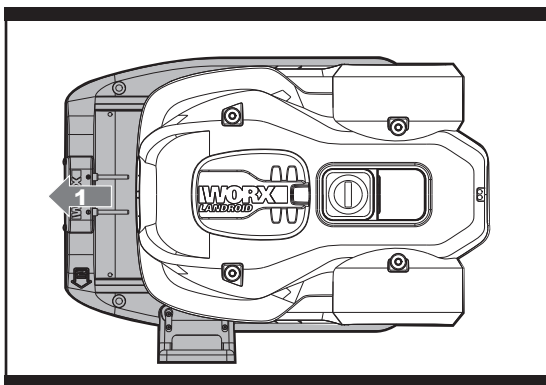
Żywotność robota do koszenia trawy Landroid®L zależy od różnych czynników, takich jak:

- Długość sezonu koszenia w danym regionie.
- Liczba godzin jaką robot Landroid®L kosi w ciągu dnia
- Konserwacja akumulatora podczas magazynowania.

Landroid®L może być ładowany ręcznie bez przewodu granicznego

W celu ręcznego ładowania akumulatora bez podłączenia przewodu granicznego do stacji ładowania:

- 1. Podłączyć stację ładowania do odpowiedniego źródła zasilania.**
- 2. Ręcznie zadokować robota Landroid®L w stacji ładowania w momencie, gdy robot Landroid®L jest wyłączony. (patrz rys. M1).**
- 3. Czerwona dioda stacji ładowania włączy się.**
- 4. Komunikat „charging” (ładowanie) zostanie wyświetlony na ekranie (patrz rys. M2). Robot Landroid®L rozpocznie ładowanie.**



M1



M2

7.4 Przechowywanie w okresie zimowym

Żywotność robota Landroid®L będzie dłuższa oraz będzie on w lepszym stanie, jeśli będzie przechowywany w okresie zimowym. Mimo, iż ciężko się w tym pogodzić, zalecamy przechowywanie robota Landroid®L w szopie lub garażu podczas zimy.

Przed przygotowaniem robota Landroid®L do zimowej hibernacji zalecamy:

- Dokładnie wyczyścić robota Landroid®L
- Naładować akumulator do pełna
- Wyłączyć zasilanie

W celu maksymalizacji żywotności akumulatora zaleca się jego pełne naładowanie przed przystąpieniem do przechowywania na okres zimy.

Przewód graniczny można zostawić w ziemi, lecz jego końcówki muszą być chronione, np. umieszczone w puszcze ze smarem. Jeśli stacja ładowania pozostanie na czas zimy, należy zostawić podłączony przewód graniczny.

UWAGA: Po przywróceniu robota Landroid®L do pracy po okresie zimowym należy upewnić się, że taśmy ładowania (5) i wtyki (2) są czyste. W celu wyczyszczenia zaleca się zastosowanie drobnoziarnistego płótna szmerglowego. Następnie należy sprawdzić prawidłowe ustawienie daty i godziny oraz odesłać robota Landroid®L do czynności, którą kocha: koszenia.

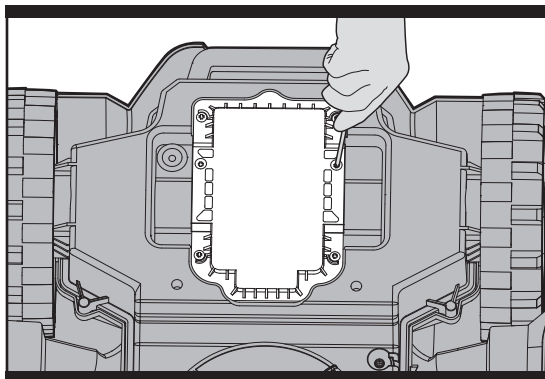
7.5 Wymiana akumulatora



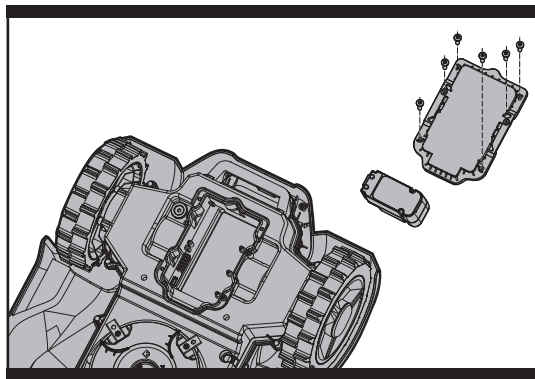
OSTRZEŻENIE: Przesunąć przycisk ON/OFF (WŁ./WYŁ.) do pozycji OFF (WYŁ.) przed przystąpieniem do jakiegokolwiek regulacji, wymiany lub naprawy.

W przypadku konieczności wymiany akumulatora należy wykonać następujące kroki:

1. Delikatnie obrócić robota Landroid®L do góry dnem.
2. Odkręcić cztery śruby z akumulatora (patrz Rys. N).
3. Wyjąć stary akumulator (patrz Rys. O).
4. Włożyć nowy akumulator.
5. Dokładnie dokręcić śruby.




N



O

OCHRONA ŚRODOWISKA

 Odpady wyrobów elektrycznych nie powinny być wyrzucane razem z odpadami gospodarstwa domowego. Należy korzystać z recyklingu, jeśli istnieje odpowiednia infrastruktura. Porady dotyczące recyklingu można uzyskać u władz lokalnych lub sprzedawcy detalicznego.

ORIGINÁLNÍ NÁVOD K OBSLUZE

OBSAH

1. Bezpečnostní Pokyny	99
1.1 Základní a doplňkové bezpečnostní pokyny	99
1.2 Informace na štítcích na sekačce Landroid®L	101
2. Seznam dílů	102
3. Poznejte sekačku Landroid®L	104
3.1 Jak moje sekačka Landroid®L pozná, co má sekat?	104
3.2 Jak moje sekačka Landroid®L pozná, kde má jet?	105
A. Nalezení nabíjecí základny	105
B. Dešťové senzory	105
C. Sledování vymezení vodícího drátu	105
D. Spuštění a zastavení během sekání	105
3.3 Jak velkou plochu může moje sekačka Landroid®L posekat?	106
3.4 Jak účinně bude moje sekačka Landroid®L provádět sekání trávníku?	106
4. Dálkové Ovládání Mobilním Telefonem	107
5. Základy týkající se vymezení drátu	107
5.1 Kolíkování vymezení drátu	107
5.2 Zahrabání vymezení drátu	107
5.3 Spojování vymezení drátu	108
6. Aktualizace softwaru	108
7. Údržba	108
7.1 Udržujte ostré nože sekačky	108
A. Otočení a převrácení nožů	108
B. Výměna nožů	109
7.2 Udržujte sekačku v čistotě	109
A. Čištění krytu sekačky	109
B. Čištění spodní části sekačky	109
C. Čištění kontaktních kolíků a nabíjecích pásků	109
7.3 Životnost baterie	110
7.4 Uložení v zimě	110
7.5 Výměna baterie	111

1. Bezpečnost Výrobku

1.1 Bezpečnostní varování týkající se vaší sekačky

VAROVÁNÍ: Přečtěte si všechny bezpečnostní pokyny a instrukce. Nedodržení bezpečnostních varování a pokynů může vést k úrazu elektrickým proudem, k vzniku požáru nebo k vážnému úrazu.

Pečlivě si přečtěte všechny pokyny týkající bezpečného použití tohoto zařízení.

Všechna varování a bezpečnostní pokyny uschovejte pro budoucí použití.

- Toto zařízení není určeno k použití osobami (včetně dětí) se sníženými fyzickými, smyslovými nebo duševními schopnostmi, s nedostatkem zkušeností a znalostí, pokud těmto osobám nebyl stanoven dohled, nebo pokud jim nebyly poskytnuty instrukce týkající se použití tohoto zařízení osobou odpovědnou za jejich bezpečnost.
- Děti musí být pod dozorem, aby bylo zajištěno, že si s tímto zařízením nebudou hrát.
- Toto zařízení může být napájeno pouze napájecí jednotkou, která je dodána společně se zařízením.

DŮLEŽITÉ

**PŘED POUŽITÍM POZORNĚ PŘEČTĚTE
ULOŽTE PRO BUDOUCÍ POUŽITÍ**

POSTUPY TÝKAJÍCÍ SE BEZPEČNÉHO POUŽITÍ

Zaškolení

- a) Pečlivě si prostudujte všechny pokyny. Ujistěte se, zda jste zcela pochopili uvedené pokyny a seznámte se s ovládacími prvky a se správným použitím tohoto zařízení.
- b) Nikdy nedovolte, aby toto zařízení používaly osoby, které nejsou seznámeny s těmito pokyny. Místní předpisy mohou omezovat věk uživatele.
- c) Za nehody nebo rizika hrozící ostatním osobám nebo jejich majetku odpovídá obsluha nebo uživatel.

Příprava

- a) Zajistěte správnou instalaci vymezení drátu podle uvedených pokynů.
- b) Provádějte pravidelnou kontrolu prostoru, kde bude toto zařízení použito a odstraňte všechny kameny, klacíky, dráty, kosti a další cizí předměty.
- c) Provádějte pravidelnou vizuální kontrolu, zda nedošlo k opotřebování nebo poškození nožů, montážních šroubů nožů a celého sekacího ústrojí. Opotřebované nebo poškozené nože a šrouby vyměňujte vždy jako sady, abyste uchovali správné vyvážení.
- d) U zařízení, která jsou vybavena více vřeteny, dávejte pozor, protože otáčení jednoho vřetena může způsobit otáčení dalších vřeten.
- e) **VAROVÁNÍ!** Tato sekačka nebude pracovat, nebude-li na svém místě její kryt.

POUŽITÍ

1. ZÁKLADNÍ POKYNY

- a) Nikdy nenechte s tímto zařízením, jsou-li poškozeny jeho ochranné kryty nebo nejsou-li na určených místech bezpečnostními prvky, například odchylovače.
- b) Nevkládejte ruce nebo chodidla do blízkosti nebo pod rotující díly. Stále udržujte výstupní otvor sekačky průchozí.
- c) Nikdy toto zařízení nezvedejte nebo nepřenášejte, je-li jeho motor v chodu.
- d) Nikdy toto zařízení nezvedejte nebo nepřenášejte, je-li jeho motor v chodu.
 - Blokovací zařízení spusťte přímo ze zařízení: Před odstraněním zablokování.
 - Před kontrolou, čištěním nebo prováděním prací na sekačce.
- e) Provádění úprav originální konstrukce této robotické sekačky není povoleno. Všechny úpravy jsou prováděny na vaše vlastní riziko.
- f) Spouštějte robotickou sekačku podle uvedených pokynů. Před stisknutím tlačítka zapnuto/vypnuto, zajistěte, aby se vaše ruce a nohy nenacházely v blízkosti rotujících nožů. Nikdy nevklaďte vaše ruce a nohy pod sekačku.
- g) Nikdy tuto robotickou sekačku nezvedejte a nepřenášejte, je-li stisknuto tlačítko zapnuto/vypnuto.
- h) Nedovolte, aby tuto robotickou sekačku používaly osoby, které neví, jak pracuje a jak reaguje.
- i) Nikdy nepokládejte na horní část sekačky nebo nabíjecí základny žádné předměty.
- j) Nepovolte používání robotické sekačky, došlo-li k jejímu poškození nebo k poškození nožového kotouče. Sekačka nesmí být také použita s poškozenými noži, šrouby, maticemi nebo napájecím kabelem.
- k) Nemáte-li v úmyslu tuto sekačku používat, vždy ji vypněte. Robotická sekačka může být spuštěna pouze v případě, je-li stisknuto tlačítko zapnuto/vypnuto a je-li zadán správná PIN kód.

2. PRACUJE-LI TATO SEKAČKA V AUTOMATICKÉM REŽIMU

- a) Jsou-li v blízkosti domácí zvířata, děti nebo jiné osoby, nikdy nenechávejte tuto sekačku bez dozoru.

ÚDRŽBA A ULOŽENÍ



VAROVÁNÍ! Je-li sekačka otočena spodní stranou nahoru, tlačítko zapnuto/vypnuto musí být vždy vypnuto.

Tlačítko zapnuto/vypnuto musí být vždy vypnuto, jsou-li prováděny práce na spodní části sekačky, jako je čištění nebo výměna nožů.

- Udržujte všechny matice, šrouby a spojovací prvky řádně dotaženy, aby bylo zařízení v bezpečném provozním stavu.
- Provádějte kontrolu této robotické sekačky každý týden a vyměňte opotřebované nebo poškozené části související s bezpečností.
- Provádějte zejména kontrolu, zda nejsou poškozeny nože a nožový kotouč. Je-li to nutné, vždy vyměňujte všechny nože a šrouby současně jako jednu sadu, aby bylo zajištěno vyvážení rotujících dílů.
- Zajistěte, aby byly používány pouze náhradní díly správného typu.
- Zajistěte, aby byly baterie sekačky nabíjeny pomocí správné nabíječky doporučené výrobcem. Nesprávné použití může vést k úrazu elektrickým proudem, přehřátí baterie nebo k únikům žíravé kapaliny z baterie.
- Dojde-li k úniku elektrolytu z baterie, opláchněte si ruce vodou/neutralizačním prostředkem. Dojde-li ke kontaktu s pokožkou nebo k zasažení očí, vyhledejte lékařské ošetření.
- Údržba sekačky musí být prováděna podle pokynů výrobce.

Přeprava

Při přepravě této robotické sekačky na dlouhé vzdálenosti vždy používejte její originální obal.

Zajištění bezpečného sekání nebo sekání uvnitř pracovního prostoru:

- Stiskněte tlačítko STOP, aby došlo k zastavení sekačky.
- Při prvním spuštění této sekačky zadejte čtyřmístný číselný PIN kód.
- Vždy tuto robotickou sekačku zastavte, máte-li v úmyslu ji přenášet.
- Přenášejte tuto sekačku za rukojeť nacházející se na zadní spodní části sekačky. Přenášejte tuto sekačku tak, aby byl nožový kotouč otočen směrem od vašeho těla.



Bezpečnostní varování týkající se baterií

- Nepokoušejte se demontovat, rozebírat nebo rozřezávat baterie nebo její články.**
- Neprovádějte zkratování baterie. Neukládejte baterie nahodile v krabicích nebo v zásuvkách, kde by mohlo dojít k jejich vzájemnému zkratování nebo k zkratování způsobenému jinými předměty. Není-li baterie používána, udržujte ji v bezpečné vzdálenosti od sponek na papíry, mincí, klíčů, hřebíků, šroubů nebo jiných malých kovových předmětů, které mohou způsobit propojení kontaktů baterie. Zkratování kontaktů baterie může způsobit popáleniny nebo požár.**
- Nevystavujte baterii působení horka nebo ohně. Vyvarujte se skladování baterií na přímém slunci.**
- Nevystavujte baterii mechanickým nárazům.**
- Dojde-li k úniku kapaliny z baterie, zabraňte tomu, aby se tato kapalina dostala do kontaktu s pokožkou nebo aby zasáhla oči. Dojde-li k takovému kontaktu, zasažené místo omyjte značným množstvím vody a vyhledejte lékařské ošetření.**
- Dojde-li k požití kapaliny z baterie, vyhledejte okamžitě lékařskou pomoc.**
- Udržujte baterie čisté a suché.**
- Baterie poskytuje nejvyšší výkon, je-li používána při běžné pokojové teplotě (20 °C ± 5 °C).**
- Při likvidaci baterií oddělte od sebe baterie s odlišnými elektrochemickými systémy.**
- Provádějte nabíjení pouze v nabíječce, která je specifikovaná společností WORX. Nepoužívejte jinou nabíječku, než je nabíječka speciálně dodaná pro použití s tímto zařízením. Nabíječka, která je vhodná pro jeden typ baterie, může při použití jiného typu baterie vytvářet riziko způsobení požáru.**
- Nepoužívejte žádnou baterii, která není určena pro použití s tímto zařízením.**
- Ukládejte baterie mimo dosah dětí.**
- Uchovejte originální dokumentaci k tomuto výrobku pro budoucí odkazy.**
- Provádějte řádnou likvidaci baterie.**

1.2 Informace na sekačce Landroid® L



VAROVÁNÍ - Není-li tato robotická sekačka používána správně, může být nebezpečná.

Před použitím této robotické sekačky si pečlivě přečtěte návod k obsluze a řádně si nastudujte jeho obsah.



VAROVÁNÍ - Je-li tato sekačka v provozu, udržujte od ní bezpečnou vzdálenost.



VAROVÁNÍ - Před prací na této sekačce nebo před jejím zvednutím použijte blokovací zařízení.



VAROVÁNÍ - Nejezděte na této sekačce.



Nevhazujte do ohně



Je-li baterie likvidována nesprávným způsobem, její obsah se může dostat do vodního systému, což může být nebezpečné pro ekosystém. Nevyhazujte tyto baterie do netříděného komunálního odpadu.



Li-Ion

Baterie by měly být recyklovány. Akumulátory nevyhazujte, dosloužilé akumulátory odevzdejte v místním sběrném dvoře nebo v recyklační stanici



Nepoužívejte pro omývání této sekačky vysokotlakou myčku.

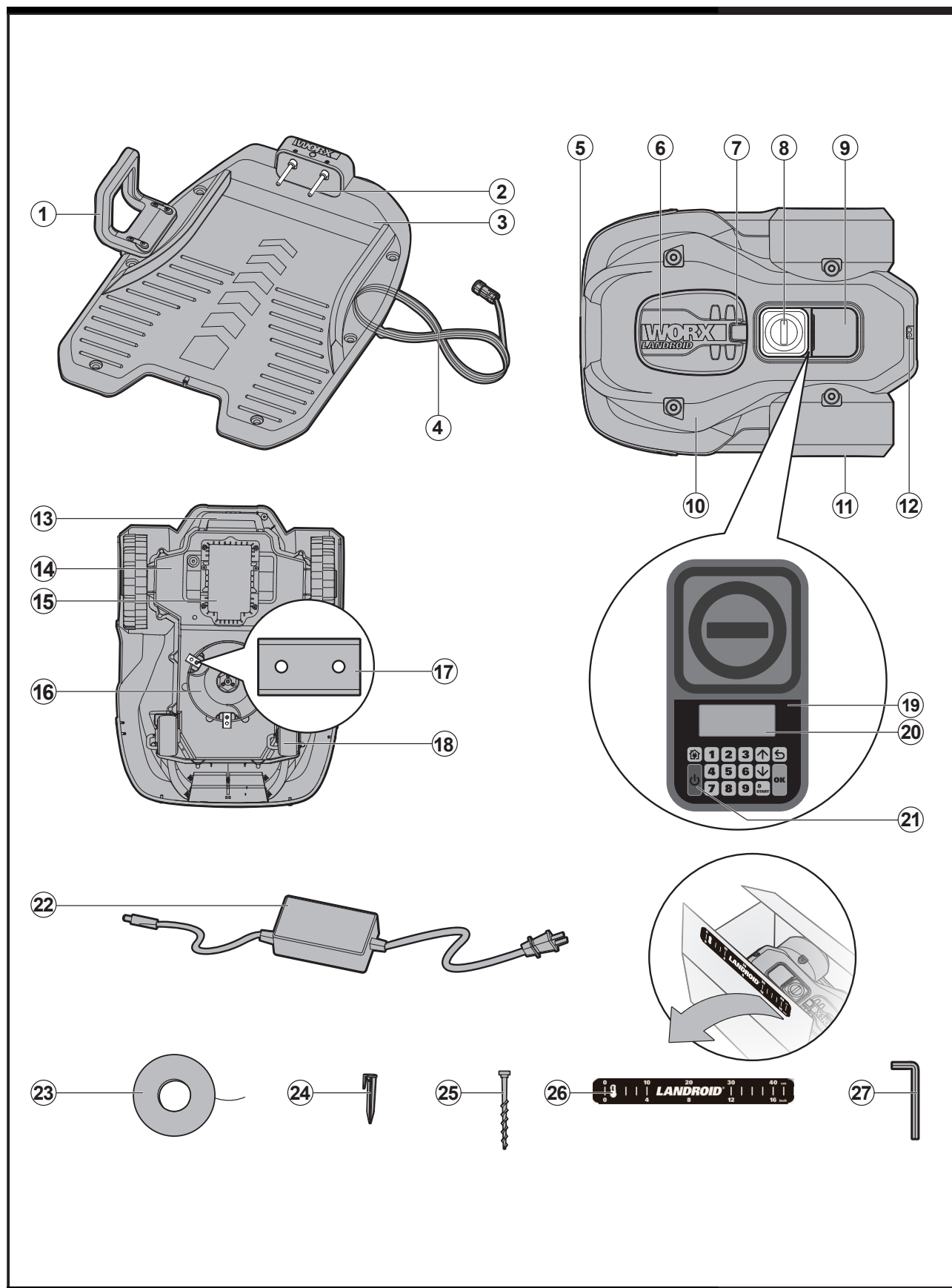


Elektrický spotřebič třídy III



Vysloužilé elektrické přístroje nevyhazujte společně s domovním odpadem. Nářadí recyklujte ve sběrnách k tomu účeluzřízených. O možnostech recyklace se informujte na místních úřadech nebo u prodejce.

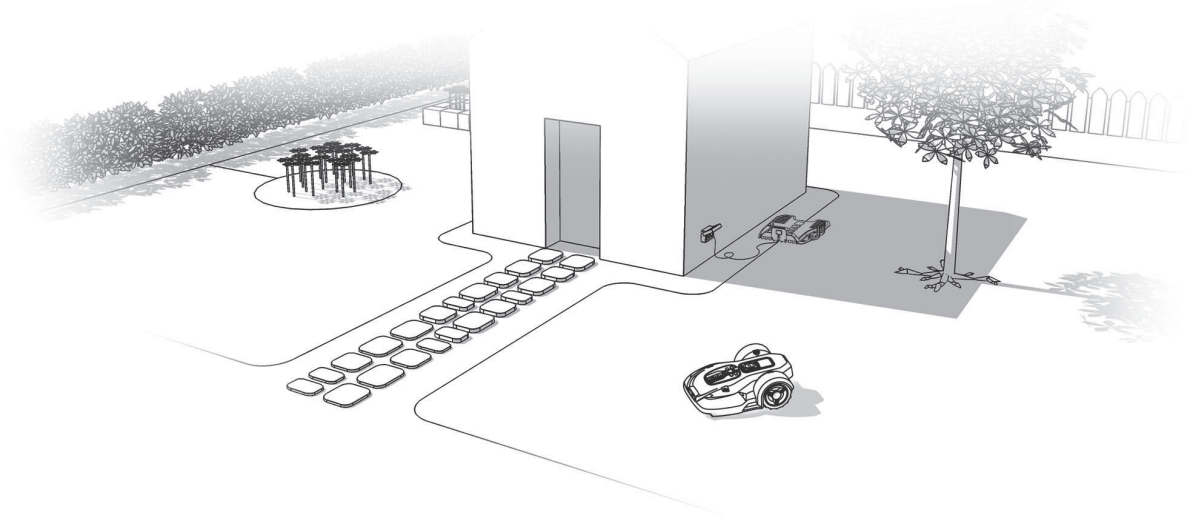
2. Seznam Dílů



1. **RUKOJEŤ**
2. **KONTAKTNÍ KOLÍKY**
3. **NABÍJECÍ ZÁKLADNA**
4. **KABEL PRO NÍZKÉ NAPĚTÍ**
5. **NABÍJECÍ PÁSEK**
6. **KRYT OVLÁDACÍHO PANELU PRO NASTAVENÍ VÝŠKY SEKÁNÍ**
7. **PŘÍSTUPOVÝ BOD – PRO OTEVŘENÍ KRYTU OVLÁDACÍHO PANELU.**
8. **TLAČÍTKO STOP**
9. **KRYT OVLÁDACÍHO PANELU**
10. **ZÁKLADNA Landroid®L**
11. **ZADNÍ HNACÍ KOLEČKO**
12. **DEŠŤOVÝ SENZOR**
13. **RUKOJEŤ**
14. **HLAVNÍ KRYT – OBSAHUJE MOTOR, ELEKTRONIKU A AKUMULÁTOR.**
15. **BATERIE**
16. **NOŽOVÝ KOTOUČ**
17. **NŮŽ**
18. **PŘEDNÍ KOLEČKO**
19. **KLÁVESNICE**
20. **DISPLEJ**
21. **TLAČÍTKO ZAPNUTO/VYPNUTO**
22. **NAPÁJECÍ ADAPTÉR**
23. **VYMEZOVACÍ DRÁT**
24. **DRÁTĚNÉ KOLÍKY**
25. **UPEVNŮVACÍ KOLÍKY NABÍJECÍ ZÁKLADNY**
26. **MĚŘIDLO VZDÁLENOSTI VYMEZOVACÍHO DRÁTU**
27. **ŠESTIHRANNÝ KLÍČ**

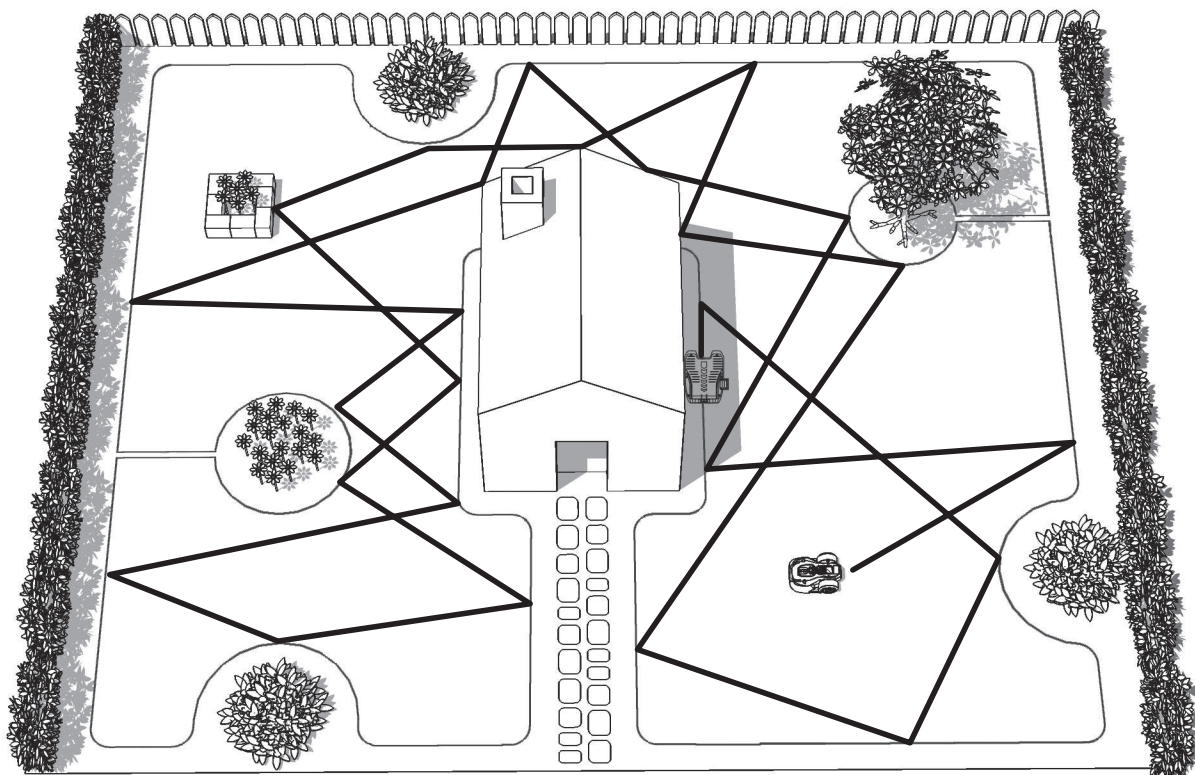
3. Poznejte sekačku Landroid® L

Rádi bychom vám poblahopřáli k zakoupení vaší nové sekačky Landroid® L a k vstupu do bezstarostného života automatického sekání trávníku. Následujícími informacemi bychom vám rádi pomohli lépe pochopit, jak tato sekačka Landroid® L pracuje.



3.1 Jak moje sekačka Landroid® L pozná, co má sekat?

Sekačka Landroid® L volí směr svého pohybu náhodně. Sekačka zajistí, aby byl celý váš trávník rovnoměrně posekán a aby na trávníku nezůstaly žádné nepěkné stopy po sekání (viz obr. A).



A

3.2 Jak moje sekačka Landroid® L pozná, kde má jet?

Vaše sekačka Landroid® L je schopna provádět různé úkony sama. Tato sekačka Landroid® L ví, kdy se musí dostat do své nabíjecí základny(3), aby se nabila její baterie, pomocí senzorů detekuje dot. Může sama zastavit, zjistí-li problém a ví, že musí zastavit, poodjet a potom se otočit dokola, narazí-li do jiného předmětu nebo něčeho, co blokuje její dráhu. Sekačka Landroid® L také automaticky zastaví rotující nožový kotouč (16), je-li zdvižena ze země, aby bylo zabráněno způsobení nehody.

A. Nalezení nabíjecí základny

Pokud Váš Landroid® L potřebuje dobít, ukončí sečení a podél ohraničujícího vodiče (23) se ve směru proti chodu hodinových ručiček vrátí zpět k nabíjecí základně. Landroid® L je předem naprogramován tak, aby sekal trávu v oblasti ohraničené vodičem jednou týdně.

Pokud chcete sekat trávu v oblasti ohraničené vodičem v jiných dobách, Otevřete kryt ovládacího panelu, stiskněte tlačítko s ikonou domečku a kryt panelu zavřete. Landroid® L ukončí sečení, vyhledá ohraničující vodič a bude sekat trávu v jeho blízkosti, až se dostane k nabíjecí stanici.

Doporučujeme vám používat tuto funkci, je-li baterie nabita na více než 75 %. Napájecí napětí baterie můžete zkontrolovat na displeji.

B. Dešťové senzory

Tato sekačka Landroid® L je vybavena dešťovými senzory (12), které budou detekovat kapky deště a vydají sekačce příkaz k zastavení práce a k sledování vymezení drátu, který sekačku navede zpět do nabíjecí základny (viz obr. B).


Sekačku Landroid® L lze naprogramovat pro případ deště tak, aby obnovila svou funkci se zpožděním (0 - 180 minut). Jsou-li dešťové senzory mokré, sekačka Landroid® L se vrátí do nabíjecí základny. Jakmile budou dešťové senzory suché, sekačka Landroid® L zahájí odpočet zpoždění nebo obnoví svou funkci ihned. Viz části Programování a Odstraňování závad, kde naleznete další podrobnosti.

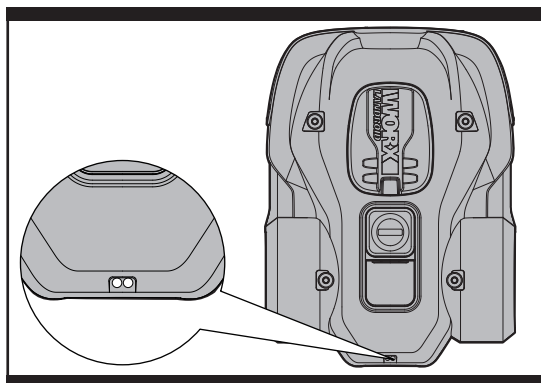
C. Sledování vymezení drátu

Sekačka Landroid® L vždy sleduje hranici určenou vymezením drátem a používá dva senzory na přední části, aby reagovala, dostane-li se příliš blízko k překážce (viz obr. C). Před změnou směru sekačka Landroid® L překročí vymezenou drát až o 25 cm*.

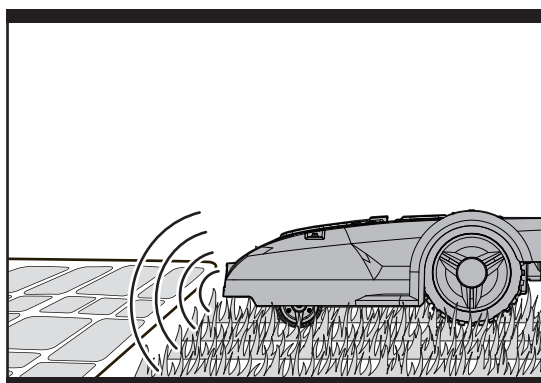
*Jedná se o doporučenou vzdálenost. Při zajištění správné instalace použijte dodané měřidlo vzdálenosti.

D. Spuštění a zastavení během sekání

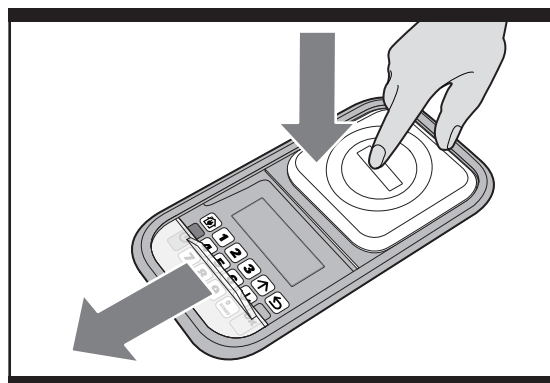
Chcete-li vydat příkaz, aby sekačka Landroid® L ukončila sekání, potom jednoduše stiskněte tlačítko STOP (8) na horní části sekačky. Sekání nebude opět zahájeno, dokud nestisknete tlačítko  a nezavřete kryt ovládacího panelu. (viz obr. D,E) Zjistí-li sekačka Landroid® L jakýkoli problém, na displeji (20) se zobrazí chybové hlášení a neobdrží-li sekačka do 20 minut



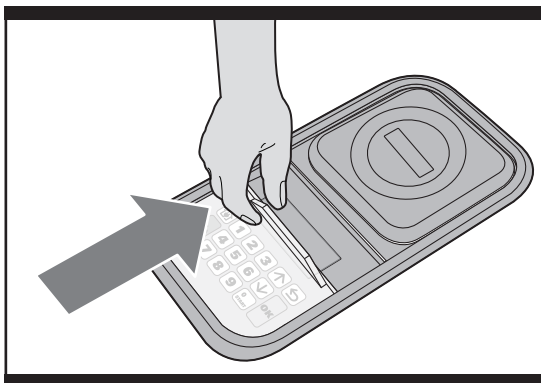
B



C





D




E

od uživatele žádný příkaz, sama se vypne (další informace o chybových hlášeních naleznete v částech Programování a Odstraňování závad).

Postup 1: STOP - Automatické vypnutí po 20 minutách

- Stiskněte tlačítko STOP
- Otevřete kryt ovládacího panelu
- Stiskněte tlačítko zapnuto/vypnuto (21) do polohy zapnuto
- Stiskněte tlačítko , aby došlo k odstranění problému
- Znovu stiskněte tlačítko  a zavřete kryt ovládacího panelu
- Nyní sekačka Landroid® L zahájí sekání!

Postup 2: STOP - Bez automatického vypnutí

- Stiskněte tlačítko STOP
- Otevřete kryt ovládacího panelu
- Stiskněte tlačítko , aby došlo k odstranění problému
- Znovu stiskněte tlačítko  a zavřete kryt ovládacího panelu
- Nyní sekačka Landroid® L zahájí sekání!

3.3 Jak velkou plochu může moje sekačka Landroid® L posekat?

Vaše sekačka Landroid® L může posekat různě velikou plochu trávníku, ale závisí to na různých faktorech, jako jsou:

- Druhy trávy na vašem trávníku a jeho výška
- Nabroušení nožů sekačky (17)
- Vlhkost
- Okolní teplota
- Množství překážek v trávníku

Je-li okolní teplota na místě vašeho bydliště velmi vysoká, vaše sekačka Landroid® L se může nabíjet pomaleji. Sekačka Landroid® L spotřebovává méně energie na otevřených plochách, kde je pouze několik překážek, jako jsou květinové záhony, fontánky, chodníčky atd...

Výchozí pracovní dobu sekačky Landroid® L pro různé velikosti travnaté plochy naleznete v programovém průvodci

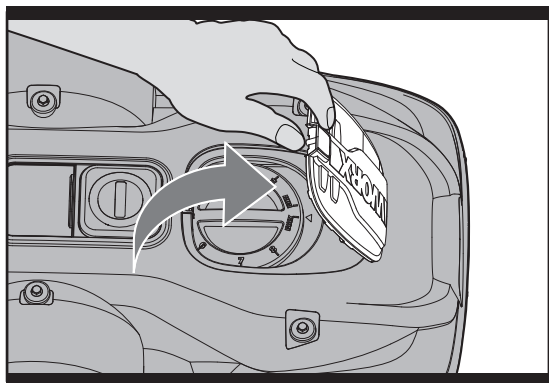
V závislosti na výše uvedených faktorech se doby sekání u každého trávníku liší. Postupně nastavujte dobu sekání tak, abyste umožnili sekačce Landroid® L provádět sekání každý den, dokud nenaleznete nejvhodnější nastavení.

Pracovní dobu vaší sekačky Landroid® L můžete naprogramovat tak, aby vyhovovala vašemu časovému plánu - viz část Programování.

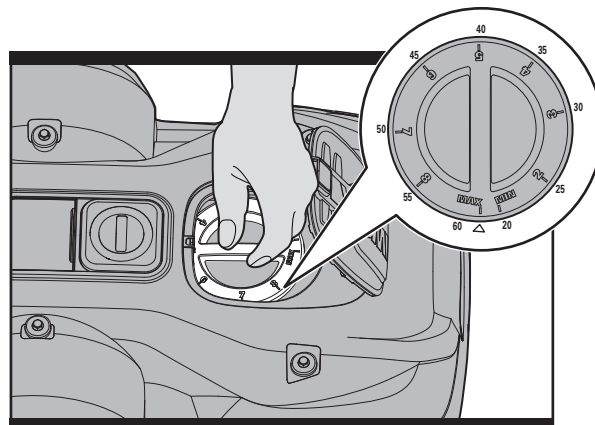
3.4 Jak účinně bude moje sekačka Landroid® L provádět sekání trávníku?

Výška sekání sekačky Landroid® L může být nastavena v rozsahu od 2 do 6 cm. Před prvním použitím vaší sekačky Landroid® L musíte posekat trávník na výšku, která nebude přesahovat 9 cm. Poté se ujistěte, zda jste otevřeli KRYT OVLÁDACÍHO PANELU PRO NASTAVENÍ VÝŠKY SEKÁNÍ (6) a zda jste nastavili výšku sekání na maximální hodnotu 6 cm (viz obr. F, G).

Tato sekačka Landroid® L bude provádět sekání nejlépe v suchém počasí. Je-li tráva mokrá, může docházet k hromadění posekané trávy na kotouči s noži (16) a v blízkosti motoru. Při práci může také docházet k ztrátě trakce a k prokluzování koleček.



F



G

Vaše sekačka Landroid®L může být také poškozena při bouřce s blesky. Dojde-li k bouřce s blesky, chraňte sekačku Landroid®L odpojením nabíjecí základny (3) od napájecího zdroje a odpojením vymezovacího drátu (23). Zajistěte, aby nebylo umožněno nabíjení sekačky Landroid®L.

Vaše sekačka Landroid®L má ráda sekání trávníku a vyžaduje udržování nožů (17) v dobrém stavu, aby bylo umožněno co nejkvalitnější sekání. Tato sekačka Landroid®L může provádět většinu úkonů sama, ale někdy bude vyžadovat vaši pomoc, aby bylo zabráněno jejímu poškození.

- Nikdy nenechávejte sekačku Landroid®L přejíždět přes šterkové povrchy.
- Odstraňte překážky nebo zabraňte přístupu k překážkám, na které by mohla sekačka Landroid®L náhodně vyjet, přičemž by mohlo dojít k poškození nožového kotouče.
- Odstraňte z trávníku všechny nečistoty a cizí předměty.

4. DÁLKOVÉ OVLÁDÁNÍ MOBILNÍM TELEFONEM (pouze pro určité modely, viz kapitola Technické údaje a Prohlášení o shodě)

Vaši sekačku Landroid®L lze ovládat pomocí chytrého mobilního telefonu. Všechna základní nastavení mohou být provedena na vašem mobilním telefonu. Lze na něm také zobrazit aktuální pracovní stav a dokonce i chybová hlášení. Podrobné informace naleznete v Průvodci připojením Wifi Landroid®L.

5. Základy týkající se vymezovacího drátu

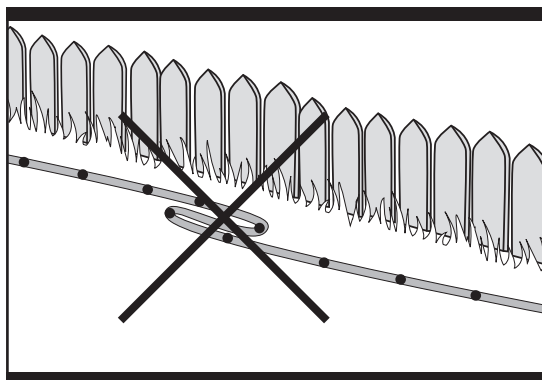
5.1 Kolíkování vymezovacího drátu

Pro nastavení správné vzdálenosti od hranice vašeho trávníku použijte dodávané měřidlo vzdálenosti vymezovacího drátu (26) (více než 45cm *).

* Jedná se o doporučenou vzdálenost. Při zajištění správné instalace použijte dodané měřidlo vzdálenosti.

Pokud váš soused také používá sekačku Landroid®L, musíte mezi vaším vymezovacím drátem a vymezovacím drátem vašich sousedů udržovat vzdálenost minimálně 0.5 metry.

Vymezovací drát musí přesně vymezovat plochu určenou pro sekání. Vaše sekačka Landroid®L bude zmatena dalšími ohyby nebo smyčkami vymezovacího drátu, které nebudou součástí plochy určené pro sekání (viz obr. H). Zůstane-li vám po vytýčení plochy trávníku přebytek vymezovacího drátu, zbývající část drátu odřízněte a uložte ji na jiném místě. Je ovšem důležité, abyste ponechali potřebnou délku vymezovacího drátu na místě, kde bude připojen k nabíjecí základně, aby mohl být připojen a aby mohl zůstat zahrabán.



H

107

5.2 Zahrabání vymezovacího drátu

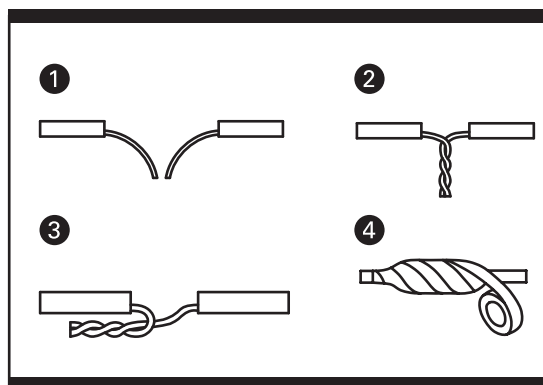
Plánujete-li zahrabání vymezovacího drátu do země, musíte si uvědomit, že při prvním najetí do nabíjecí základny může mít vaše sekačka Landroid®L problémy s nalezením správné cesty vytyčené drátem. Proto vám doporučujeme nejdříve upevnit vymezovací drát k trávníku tak, aby bylo v případě nutnosti umožněno upravení jeho polohy. Tímto způsobem umožníte sekačce Landroid®L, aby se před zahrabáním vymezovacího drátu přizpůsobila svému novému pracovnímu prostředí a aby úspěšně pracovala s nabíjecí základnou.

Po ukončení instalace vymezovacího drátu vám doporučujeme, abyste stisknutím tlačítka s ikonou domečku vyzkoušeli sekačku Landroid®L při sledování vymezovacího drátu.

Při sledování sekačky Landroid®L, která vyhledává nabíjecí základnu, můžete provádět úpravy polohy vymezovacího drátu, abyste zajistili bezproblémové sledování vymezovacího drátu sekačkou Landroid®L při vyhledávání nabíjecí základny.

5.3 Spojování vymezovacího drátu

Vymezovací drát (23) může být jednoduše prodloužen vzájemným spletením jeho koncových částí. Pro zabezpečení spojených částí vymezovacího drátu můžete použít izolační pásku. (Viz obr. I)



6. Aktualizace softwaru

Jakmile bude k dispozici nová verze softwaru pro tuto sekačku Landroid®L, může být provedena jeho aktualizace. Verze nainstalovaného softwaru se zobrazí na stránce diagnostiky po stisknutí tlačítka 2 na domovské stránce. Poslední verzi softwaru lze stáhnout z našich webových stránek www.worxlandroid.com. Na stránce ke stažení si prostudujte podrobné pokyny.

Dodaný návod k použití vychází z výchozího softwaru, který je používán při hromadné výrobě. Některé nové vlastnosti/funkce, kterými disponuje nová verze, nemusí být v návodu uvedeny. Objevíte-li některá nastavení, která nejsou uvedena v návodu, navštivte prosím internetovou adresu www.worxlandroid.com a stáhněte si nejnovější návod.

7. Údržba

Vaše sekačka Landroid®L musí být občas zkontrolována. Práce sekačky Landroid®L je náročná a občas musí být provedeno její vyčištění a také výměna některých dílů, které mohou být opotřebovány. V následujícím textu vám chceme poskytnout informace o tom, jak provádět údržbu vaší sekačky Landroid®L.

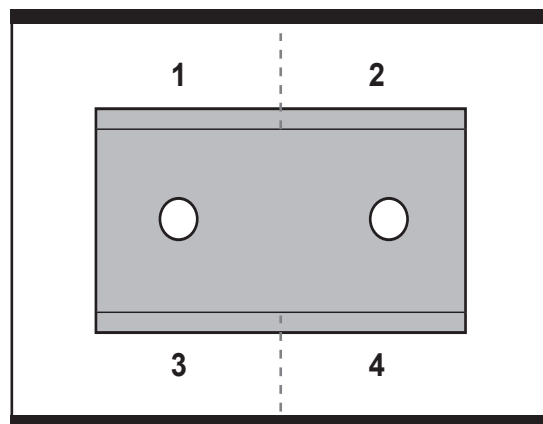
7.1 Udržujte nože sekačky ostré

VAROVÁNÍ! Před čištěním, seřízením nebo před výměnou nožů váš Landroid®L VYPNĚTE a nasadte si ochranné rukavice.

VAROVÁNÍ! Budete-li montovat nové nože, zajistěte, aby byly vždy vyměněny VŠECHNY nože. Při montáži nových nožů vždy používejte nové šrouby. Je to důležité, aby bylo zajištěno řádné upevnění nože. Nebudou-li použity nové šrouby, mohlo by dojít k způsobení vážného zranění.

Sekačka Landroid®L neseká trávu jako ostatní sekačky. Její nože (17) jsou ostré jako břitva na všech 4 hranách a z důvodu dosažení maximálního řezného výkonu rotují v obou směrech (viz obr. J).

Každý nůž vaší sekačky Landroid®L má 4 řezné hrany. V závislosti na frekvenci sekání vašeho trávníku sekačkou Landroid®L musí být nože sekačky pravidelně otáčeny/obráceny, aby mohly být použity nové pracovní hrany. Je-li vaše sekačka Landroid®L naprogramována na každodenní sekání trávníku, otáčení nožů bude muset být prováděno každý měsíc, aby bylo dosaženo nejlepších výsledků. Životnost každého nože při každodenním sekání je až 4 měsíce. Jsou-li nože tupé a opotřebované, měly by být nahrazeny novými noži, které jsou dodány s vaší sekačkou Landroid®L. Náhradní nože jsou k dispozici také u nejbližšího autorizovaného prodejce WORX.



A. Otočení a převrácení nožů

Vaše sekačka Landroid®L je opatřena noži, které jsou pomocí šroubů upevněny k nožovému kotouči (16). Tyto nože umožňují sekačce Landroid®L provádět určenou práci a vyžadují péči a pozornost. Jednou za čas by měly být současně otočeny a obráceny všechny nože, aby byla zaručena kvalita sekání. Při otáčení a obrácení nožů se současně ujistěte, zda jsou všechny nože také seřízeny, aby nemohlo dojít k ztrátě vyvážení nožového kotouče. Bude-li vaše sekačka Landroid®L provádět sekání podle normálního časového plánu (každý den) a budou-li nože otáčeny a obráceny každý měsíc, měly by vydržet minimálně jednu sezónu. Vždy provádějte vizuální kontrolu, nejsou-li nože odštipnuty nebo jinak poškozeny. Jsou-li poškozeny, proveďte jejich výměnu.

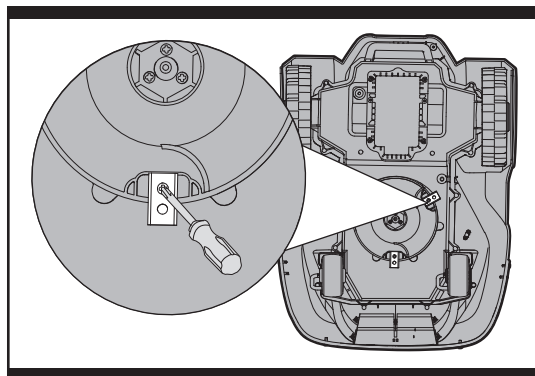
B. Výměna nožů (Viz obr. K)

Po určité době, obvykle po každé sezóně, bude u vaší sekačky Landroid®L nutné provedení výměny nožů. Vaše sekačka Landroid®L nemá ráda sekání, je-li opatřena noži různého stáří a kvality. Proto se při výměně nožů ujistěte, zda jsou vyměněny všechny nože současně. Při výměně můžete použít jednu ze tří sad náhradních nožů a šroubů, které jsou dodávány společně s vaší sekačkou Landroid®L.

Před prováděním výměny nožů sekačku Landroid®L vždy vypněte a použijte ochranné rukavice. Potom postupujte podle následujících kroků:

1. Opatrně sekačku Landroid®L obraťte.
2. Sejměte kryt baterie a vyjměte baterii.
3. Pomocí šroubováku vyšroubujte šrouby upevňující nože.
4. Řádně upevněte nové nože pomocí nových šroubů.
5. Vložte zpět baterii a zavřete kryt baterie.

DŮLEŽITÉ: Po upevnění nožů k nožovému kotouči pomocí šroubů se ujistěte, zda se nožový kotouč může volně otáčet.



K

7.2 Udržujte sekačku v čistotě

VAROVÁNÍ! Před čištěním váš Landroid®L **VYPNĚTE**. Před čištěním nožového kotouče (16) si nasad'te ochranné rukavice a nepoužívejte proud vody. (Viz obr. L)

A. Čištění krytu sekačky

Vaše sekačka Landroid®L bude mnohem lépe pracovat a bude mít delší provozní životnost, bude-li pravidelně prováděno její čištění. I když je vaše sekačka Landroid®L elektrické zařízení, budete muset být při čištění velmi opatrní, proto při čištění sekačky Landroid®L nepoužívejte hadici, vysokotlaké myčky nebo jiný zdroj tekoucí vody. Nejlepším řešením je použití ručního postřikovače naplněného vodou. Při čištění krytu této sekačky používejte měkký kartáč nebo čistý hadr a vyvarujte se použití rozpouštědel nebo leštidel (viz obr. L). Nakonec zkontrolujte, zda jste odstranili všechny zbytky nahromaděné posekané trávy a jiné nečistoty.

B. Čištění spodní části sekačky

Opět je velmi důležité, abyste vaši sekačku Landroid®L vypnuli pomocí tlačítka zapnuto/vypnuto a abyste si před manipulací s nožovým kotoučem (16) nasadili ochranné rukavice.

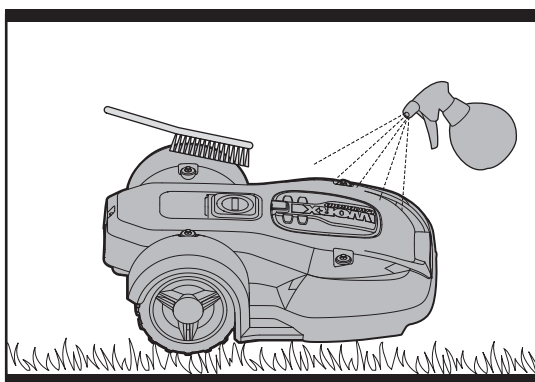
Nejdříve otočte sekačku Landroid®L spodní stranou nahoru, aby byl vidět podvozek. Zde můžete vidět nožový kotouč, HLAVNÍ KRYT(14), přední kolečka(18) a hnací kolečka (11). Vše kompletně očistěte pomocí měkkého kartáče nebo vlhkého hadru.

Otočte žací kotoučem, abyste se ujistili, zda se volně otáčí. Zkontrolujte, zda se nože volně otáčejí okolo přídržných šroubů. Jakékoliv překážky odstraňte.

DŮLEŽITÉ: Odstraňte všechny zachycené nečistoty, aby nemohly způsobit prasknutí nožového kotouče. Dokonce i ta nejtenčí prasklina může snížit provozní výkon vaší sekačky Landroid®L.

C. Čištění kontaktních kolíků a nabíjecích pásků

Pomocí vhodného hadru očistěte kontaktní kolíky(2) nacházející se na nabíjecí základně(3) a nabíjecí pásek (5) na sekačce Landroid®L. Pravidelně odstraňujte všechny zbytky nahromaděné posekané trávy a nečistoty nacházející se v blízkosti kontaktních kolíků a nabíjecích pásků, abyste vždy zajistili úspěšné nabíjení baterie sekačky Landroid®L.



L

7.3 Životnost baterie

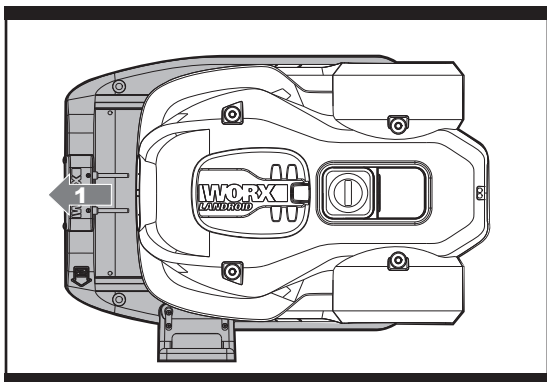
Srdcem sekačky Landroid®L je jeho baterie Li-Ion s napájecím napětím 28 V. U této baterie není vyžadována žádná údržba. Chcete-li ujistit správné uložení baterie, zajistěte, aby byla zcela nabitá a uložte ji na chladném a suchém místě s teplotou v rozsahu 20°C až 60°C.

- Provozní životnost baterie sekačky Landroid®L závisí na různých faktorech, jako jsou:
- Doba trvání sezóny sekání ve vašem regionu
- Počet hodin, kdy bude sekačka Landroid®L každý den provádět sekání
- Údržba baterie během uložení

Sekačka Landroid®L může být nabíjena ručně bez použití vymezovacího drátu.

Provádění ručního nabíjení baterie bez připojení vymezovacího drátu k nabíjecí základně:

- 1. Připojte nabíjecí základnu k vhodnému napájecímu zdroji.**
- 2. Ručně umístěte sekačku Landroid®L, která je vypnuta, do nabíjecí základny. (Viz obr.M1)**
- 3. Rozsvítí se červená kontrolka nabíjecí základny.**
- 4. Současně je na displeji zobrazeno "charging"(nabíjení).(viz obr. M2) Sekačka Landroid®L se začne nabíjet.**



M1



M2

7.4 Uložení v zimě

Provozní životnost sekačky Landroid®L bude delší, zajistíte-li v zimním období její kvalitní uložení. Přestože to nemusí být jednoduché, doporučujeme vám, abyste v zimním období uložili sekačku Landroid®L v kůlně nebo v garáži.

Před přípravou vaší sekačky Landroid®L na uložení v zimní sezóně vám doporučujeme:

- Očistěte celou sekačku Landroid®L
- Nabijte zcela baterii
- Proveďte vypnutí

Před uložením v zimní sezóně vám doporučujeme nabít baterii na maximální kapacitu, aby byla maximalizována její provozní životnost.

Vymezovací drát může být ponechán v zemi, ale jeho koncové části musí být chráněny, například zasunutím do nádoby s mazivem. Je-li nabíjecí základna ponechána v zimním období venku, nechejte vymezovací dráty připojeny k této základně.

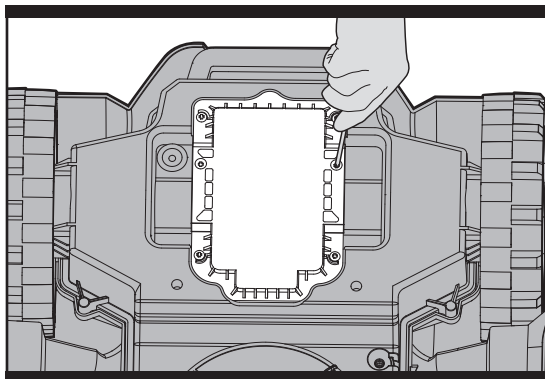
POZNÁMKA: Před opětovným uvedením sekačky Landroid®L do provozu po ukončení zimní sezóny se ujistěte, zda jsou nabíjecí pásky (5) a kontaktní kolíky (2) čisté. Při čištění vám doporučujeme používat jemný smírkový papír. Potom se ujistěte, zda je nastaveno správné datum a čas a uveďte sekačku Landroid®L zpět do pracovního procesu: na zahradu, kde bude sekat trávnik.

7.5 Výměna baterie

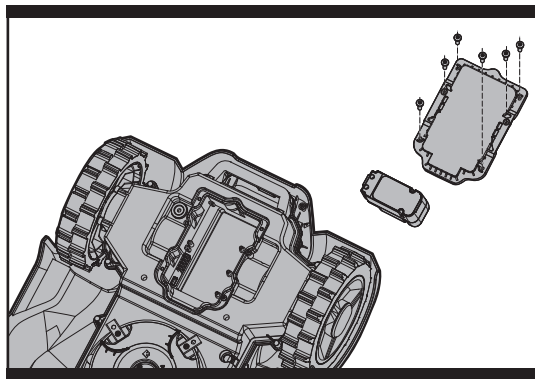
! **VAROVÁNÍ:** Před jakýmkoli seřízením, výměnou nebo opravou stiskněte tlačítko zapnuto/vypnuto, aby došlo k vypnutí sekačky.

Chcete-li provést výměnu baterie, postupujte podle následujících kroků:

1. Opatrně obraťte sekačku Landroid® L spodní stranou nahoru.
2. Vyšroubujte čtyři šrouby nacházející se na krytu baterie (viz obr. N).
3. Vyměňte starou baterii (viz obr. O).
4. Vložte do sekačky novou baterii.
5. Řádně utáhněte všechny šrouby.




N



O

Ochrana životního prostředí

 Vysloužilé elektrické přístroje nevyhazujte společně s domovním odpadem. Nářadí recyklujte ve sběrnách k tomu účeluzřízených. O možnostech recyklace se informujte na místních úřadech nebo u prodejce.

ORIGINÁLNY NÁVOD NA OBSLUHU

OBSAH

1. BEZPEČNOSŤ VÝROBKU	113
1.1 Základné a doplnkové bezpečnostné pokyny	113
1.2 Informácie na štítkoch na kosačke Landroid®L	115
2. Zoznam dielov	116
3. Zoznámte sa s kosačkou Landroid®L	118
3.1 Ako moja kosačka Landroid®L vie, čo má kosiť?	118
3.2 Ako moja kosačka Landroid®L vie, kam má ísť?	119
A. Nájdenie nabíjacej základne	119
B. Dážďové senzory	119
C. Sledovanie ohraničujúceho vodiaceho drôtu	119
D. Spustenie a zastavenie počas kosenia	119
3.3 Akú veľkú plochu môže moja kosačka Landroid®L pokosiť?	120
3.4 Ako účinne bude moja kosačka Landroid®L vykonávať kosenie trávniká?	120
4. Diaľkové ovládanie mobilným telefónom	121
5. Základy týkajúce sa ohraničujúceho drôtu	121
5.1 Kolíkovanie ohraničujúceho drôtu	121
5.2 Zahrabávanie ohraničujúceho drôtu	121
5.3 Spájanie ohraničujúceho drôtu	122
6. Aktualizácia softwaru	122
7. Údržba	122
7.1 Udržujte nože kosačky ostré	122
A. Otočenie a prevrátenie nožov	122
B. Výmena nožov	123
7.2 Udržujte kosačku v čistom stave	123
A. Čistenie krytu kosačky	123
B. Čistenie spodnej časti kosačky	123
C. Čistenie kontaktných kolíkov a nabíjacích pásov.	123
7.3 Životnosť batérie	124
7.4 Uskladnenie na zimu	124
7.5 Výmena batérie	125

1. Bezpečnosť Výrobku

1.1 Základné a doplnkové bezpečnostné pokyny



UPOZORNENIE: Preštudujte si všetky bezpečnostné pokyny a inštrukcie. Nedodržanie bezpečnostných pokynov a inštrukcií môže viesť k úrazu elektrickým prúdom, k vzniku požiaru alebo k vážnemu úrazu.

Pozorne si prečítajte všetky bezpečnostné pokyny týkajúce sa bezpečného použitia tohto zariadenia.

Všetky výstrahy a bezpečnostné pokyny uschovajte na ďalšie použitie.

- Toto zariadenie nesmú používať osoby (vrátane detí) so zníženými fyzickými, zmyslovými alebo duševnými schopnosťami, s nedostatkom skúseností a znalostí, pokiaľ týmto osobám nebol stanovený dohľad, alebo ak im neboli poskytnuté inštrukcie týkajúce sa použitia tohto zariadenia osobou zodpovednou za ich bezpečnosť.
- Deti musia byť pod dohľadom, aby bolo zaistené, že sa s týmto zariadením nebudú hrať.
- Toto zariadenie môže byť napájané iba napájacou jednotkou, ktorá je dodávaná spoločne so zariadením.

DÔLEŽITÉ

**PRED POUŽITÍM POZORNE PREČÍTAJTE
USCHOVAJTE PRE ĎALŠIE POUŽITIE**

POSTUPY TÝKAJÚCE SA BEZPEČNÉHO POUŽITIA

Zaškolenie

- a) Pozorne si preštudujte všetky pokyny. Skontrolujte, či ste správne pochopili všetky uvedené pokyny a zoznámili ste sa s ovládacími prvkami a so správnym použitím tohto zariadenia.
- b) Nikdy nedovoľte, aby toto zariadenie používali osoby, ktoré neboli zoznámené s týmito inštrukciami. Miestne predpisy môžu obmedzovať vek užívateľa.
- c) Za nehody alebo riziká, ktoré hrozia ostatným osobám alebo ich majetku zodpovedá obsluha alebo užívateľ.

Príprava

- a) Zaisťte správnu inštaláciu ohraničujúceho drôtu podľa uvedených pokynov.
- b) Prevádzajte pravidelnú kontrolu priestoru, na ktorom bude toto zariadenie použité a odstráňte všetky kamene, drevka, drôty, kosti a ďalšie cudzie predmety.
- c) Prevádzajte pravidelnú vizuálnu kontrolu, či nedošlo k opotrebovaniu alebo poškodeniu nožov, montážnych skrutiek nožov a celého zariadenia na kosenie. Opotrebované alebo poškodené nože a skrutky vymieňajte vždy ako sady, aby ste zachovali správne vyváženie.
- d) U kosačiek, ktoré sú vybavené viacerými hriadeľmi, dávajte pozor, pretože otáčanie jedného hriadeľa môže spôsobiť otáčanie ďalších hriadeľov.
- e) **VAROVANIE!** Táto kosačka nebude pracovať, ak nebude mať správne nasadený kryt.

POUŽITIE

1. ZÁKLADNÉ POKYNY

- a) Nikdy nepracujte s týmto zariadením, ak sú poškodené jeho ochranné kryty alebo ak nie sú na určených miestach bezpečnostné prvky, napríklad odchyľovače.
- b) Nedávajte ruky alebo nohy do blízkosti alebo pod rotujúce diely. Stále udržiajte výstupný otvor kosačky priechodný.
- c) Nikdy toto zariadenie nezdvíhajte alebo neprenášajte, ak je motor v chode.
- d) Blokovacie zariadenie spustíte priamo zo zariadenia:
 - Pred odstránením zablokovania.
 - Pred kontrolou, čistením, alebo vykonávaním práce na kosačke.
- e) Prevádzanie úprav originálne konštrukcie tejto robotickej kosačky nie je povolené. Všetky úpravy sú prevádzané na vaše vlastné riziko.
- f) Robotickú kosačku spúšťajte podľa uvedených pokynov. Pred stlačením tlačidla zapnuté/vypnuté, zaistite, aby sa vaše ruky a nohy nenachádzali v blízkosti rotujúcich nožov. Nikdy nekladajte vaše ruky a nohy pod kosačku.
- g) Nikdy túto robotickú kosačku nezdvíhajte a neprenášajte, ak je stlačené tlačidlo zapnuté/vypnuté.
- h) Nedovoľte, aby túto robotickú kosačku používali osoby, ktoré nevedia, ako pracuje a ako reaguje.
- i) Nikdy nepokladajte na hornú časť kosačky alebo nabíjaci základne žiadne predmety.
- j) Nepovoľte používať robotickú kosačku, došlo k jej poškodeniu alebo k poškodeniu nožového kotúča. Kosačka nesmie byť použitá s poškodenými nožmi, skrutkami, maticami alebo napájacím káblom.
- k) Ak nemáte v úmysle túto kosačku používať, vždy ju vypnite. Robotická kosačka môže byť spustená iba v tom prípade, ak je stlačené tlačidlo zapnuté/vypnuté a ak je zadaný správny PIN kód.

2. AK TÁTO KOSAČKA PRACUJE V AUTOMATICKOM REŽIME.

- a) Ak sú v blízkosti domáce zvieratá, deti alebo iné osoby, nikdy nenechávajte túto kosačku bez dozoru.

ÚDRŽBA A USKLADNENIE



VAROVANIE! Ak je kosačka otočená spodnou stranou nahor, tlačidlo vypnuté/zapnuté musí byť vždy vypnuté.

Tlačidlo zapnuté/vypnuté musí byť vždy vypnuté, ak sa prevádzajú akékoľvek práce na spodnej časti kosačky, ako je čistenie alebo výmena nožov.

- Všetky matice, skrutky a spájacie prvky udržiavajte riadne dotiahnuté, aby bolo zariadenie v bezpečnom prevádzkovom stave.
- Prevádzajte kontrolu robotickej kosačky každý týždeň a vymeňte opotrebované alebo poškodené časti súvisiace s bezpečnosťou.
- Prevádzajte hlavne kontrolu, či nie sú poškodené nože a nožový kotúč. Ak je to nutné, vždy vymieňajte všetky nože a skrutky súčasne ako jednu sadu, aby bolo zaistené vyváženie rotujúcich dielov.
- Zaistite, aby sa používali iba náhradné diely správneho typu.
- Zaistite, aby boli batérie kosačky nabíjané pomocou správnej nabíjačky odporúčenej výrobcom. Nesprávne použitie môže viesť k úrazu elektrickým prúdom, prehriatiu batérie alebo k úniku žieraviny z batérie.
- Ak dôjde k úniku elektrolytu z batérie, opláchnite si ruky vodou/neutralizačným prostriedkom. Ak dôjde ku kontaktu s pokožkou alebo k zasiahnutiu očí, vyhľadajte lekárske oštenie.
- Údržba kosačky musí byť prevedená podľa pokynov od výrobcu.

Preprava

Pri preprave tejto robotickej kosačky na dlhé vzdialenosti vždy používajte jej originálny obal.

Zaistenie bezpečného kosenia alebo kosenia vo vnútri pracovného priestoru:

- Stlačte tlačidlo STOP, aby došlo k zastaveniu kosačky.
- Pri prvom spustení tejto kosačky zadajte štvormiestny číselný PIN kód.
- Vždy túto robotickú kosačku zastavte, ak ju chcete prenášať.
- Kosačku prenášajte za rukoväť, ktorá sa nachádza na spodnej časti kosačky. Kosačku prenášajte tak, aby bol nožový kotúč otočený smerom od vášho tela.



Bezpečnostné varovania týkajúce sa batérii

- Nepokúšajte sa demontovať, rozoberať alebo rozrezávať batérie alebo jej články.**
- Batériu neskratujte. Neukladajte batérie náhodne v škatuliach alebo v zásuvkách, kde by mohlo dôjsť k ich vzájomnému skratovaniu alebo k skratovaniu spôsobenému inými predmetmi.** Ak sa batéria nepoužíva, udržiujte ju v bezpečnej vzdialenosti od sponiek na papieri, minci, kľúčov, klinec, skrutiek alebo iných malých kovových predmetov, ktoré môžu spôsobiť prepojenie kontaktov batérie. Skratovanie kontaktov batérie môže spôsobiť popáleniny alebo požiar.
- Nevystavujte batériu pôsobeniu tepla alebo ohňa. Vyvarujte sa skladovaniu batérií na priamom slnku.**
- Nevystavujte batériu mechanickým nárazom.**
- Ak dôjde k úniku kvapaliny z batérie, zabráňte tomu, aby sa táto kvapalina dostala do kontaktu s pokožkou alebo aby zasiahla oči. Ak dôjde k takému kontaktu, zasiahnuté miesto umyte značným množstvom vody a vyhľadajte lekárske oštenie.**
- Ak dôjde k požitiu kvapaliny z batérie, vyhľadajte okamžite lekárske oštenie.**
- Udržujte batérie čisté a suché.**
- Batéria poskytuje najvyšší výkon, ak sa používa pri bežnej izbovej teplote (20 °C ± 5 °C).**
- Pri likvidácii batérií oddel'te od seba batérie s odlišnými elektrochemickými systémami.**
- Vykonávajte nabíjanie iba v nabíjačke, ktorá je špecifikovaná spoločnosťou WORX. Nepoužívajte inú nabíjačku, ako je nabíjačka špeciálne dodaná na použitie s týmto zariadením.** Nabíjačka, ktorá je vhodná pre jeden typ batérie, môže pri použití iného typu batérie vytvárať riziko požiaru.
- Nepoužívajte žiadnu batériu, ktorá nie je určená na použitie s týmto zariadením.**
- Ukladajte batérie mimo dosahu detí.**
- Uschovajte originálnu dokumentáciu k tomuto výrobku na budúce odkazy.**
- Vykonávajte riadnu likvidáciu batérie.**

1.2 Informácie dotýčajúce Landroid® L



VAROVANIE - Ak sa táto robotická kosačka nepoužíva správne, môže byť nebezpečná.

Pred použitím tejto robotickej kosačky si pozorne prečítajte návod na obsluhu a riadne si preštudujte jeho obsah.



VAROVANIE - Ak je táto kosačka v prevádzke, udržiavajte od nej bezpečnú vzdialenosť.



VAROVANIE - Pred prácou na tejto kosačke alebo pred jej zdvihnutím použite blokovacie zariadenie.



VAROVANIE - Na tejto kosačke nejazdíte.



Nehádzajte do ohňa.



Ak sa batéria likviduje nesprávnym spôsobom, jej obsah sa môže dostať do vodného systému, čo môže byť nebezpečné pre ekosystém. Nevyhadzujte tieto batérie do netriedeného komunálneho odpadu.



Li-Ion

Batérie by sa mali recyklovať. Akumulátory nevyhadzujte, akumulátory, ktoré Vám doslúžia, odovzdajte v miestnom zbernom dvore alebo v recyklačnej stanici



Nepoužívajte na umývanie kosačky vysokotlakovú umývačku.

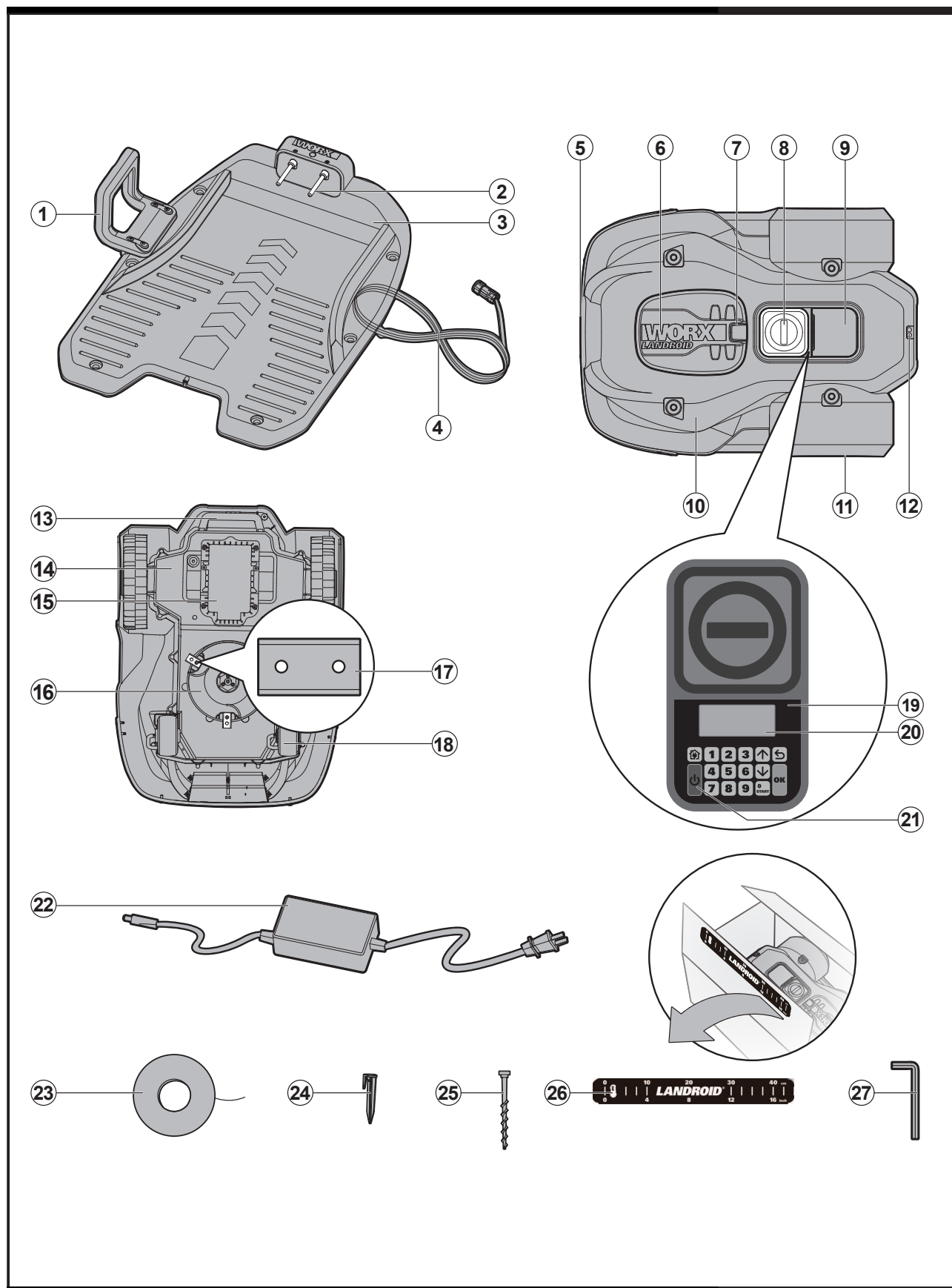


Elektrický spotrebič triedy III



Elektrické výrobky sa nesmú likvidovať spolu s domácim odpadom. Recyklujte v zberných miestach na tento účel zriadených. O možnosti recyklácie sa informujte na miestnych úradoch alebo u predajcu.

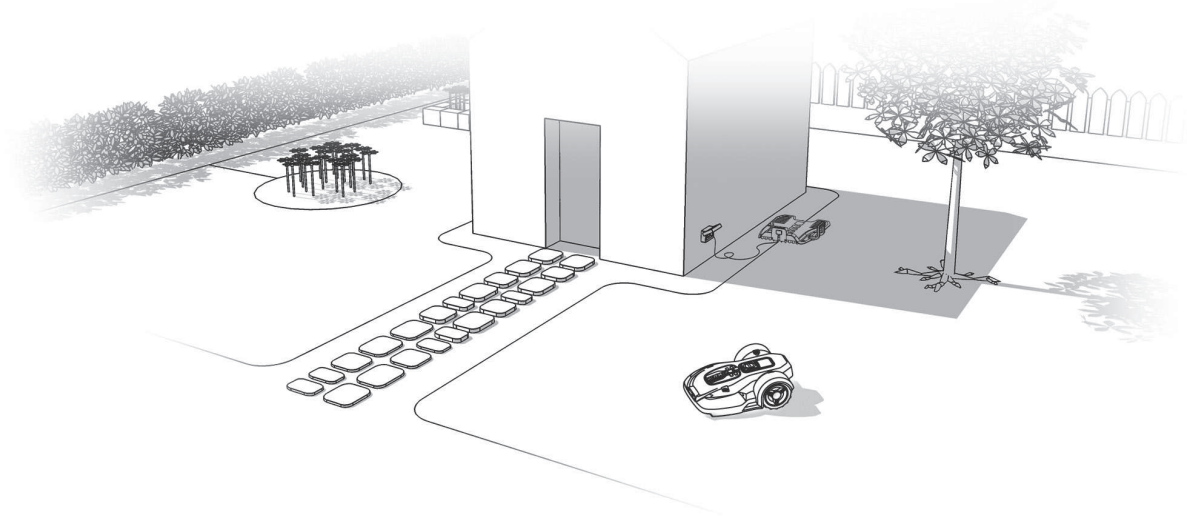
2. Zoznam Dielov



1. RUKOVÄŤ
2. KONTAKTNÉ KOLÍKY
3. NABÍJACIA ZÁKLADŇA
4. KÁBEL PRE NÍZKE NAPÄTIE
5. NABÍJACIA PÁSKA
6. KRYT OVLÁDACIEHO PANELU NA NASTAVENIE VÝŠKY KOSENI
7. PRÍSTUPOVÝ BOD – NA OTVORENIE KRYTU OVLÁDACIEHO PANELU.
8. TLAČIDLO STOP
9. KRYT OVLÁDACIEHO PANELU
10. ZÁKLADŇA Landroid®L
11. ZADNÉ HNACIE KOLIESKO
12. SENZOR DÁŽĎA
13. RUKOVÄŤ
14. HLAVNÝ KRYT – OBSAHUJE MOTOR, ELEKTRONIKU A AKUMULÁTOR.
15. BATÉRIA
16. NOŽOVÝ KOTÚČ
17. NÔŽ
18. PREDNÉ KOLIESKO
19. KLÁVESNICA
20. DISPLEJ
21. TLAČIDLO ZAPNUTÉ/VYPNUTÉ
22. NAPÁJACÍ ADAPTÉR
23. OHRANIČUJÚCI DRÔT
24. DRÔTENÉ KOLÍKY
25. UPEVNŇOVACIE KOLÍKY NABÍJACEJ ZÁKLADNE
26. MERADLO VZDIALENOSTI OHRANIČUJÚCEHO DRÔTU
27. ŠESTHRANNÝ KLÚČ

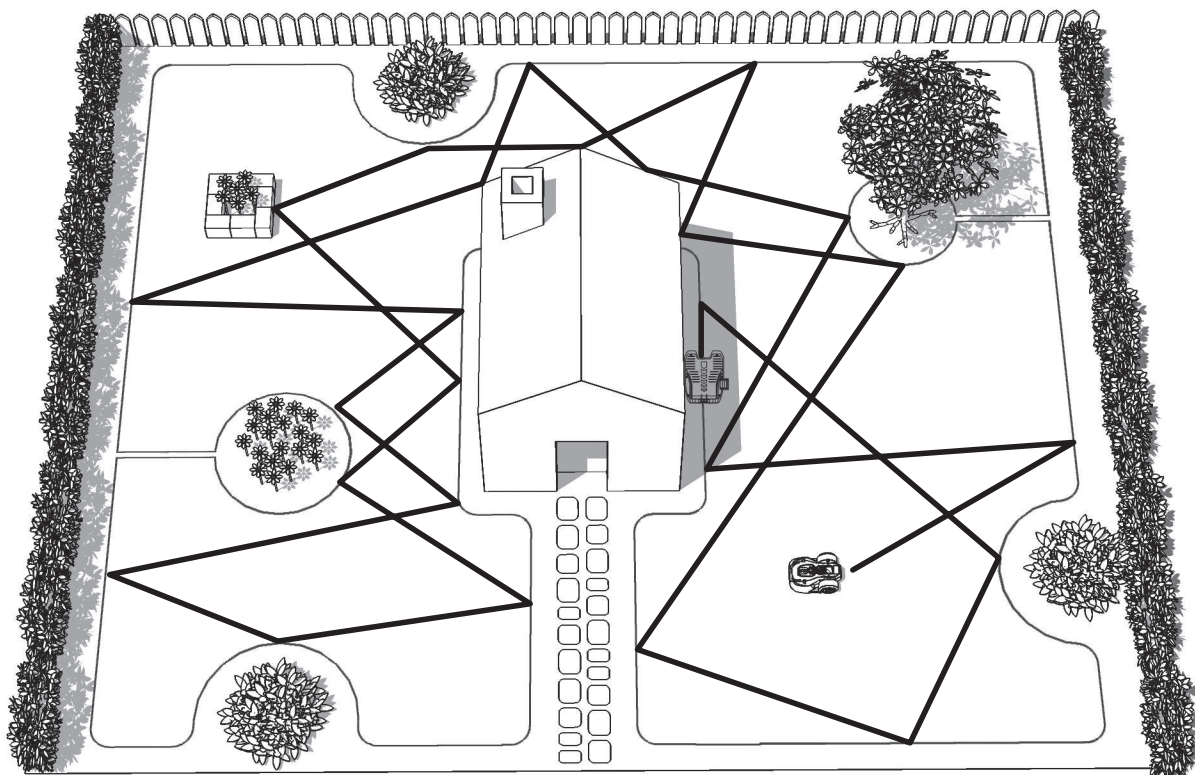
3. Zoznámte sa s kosačkou Landroid® L

Radi by sme vám zagratalovali k zakúpeniu vašej novej kosačky Landroid® L a k vstupu do bezstarostného života automatického kosenia trávniku. Nasledujúcimi informáciami by sme vám chceli pomôcť čo najlepšie pochopiť, ako táto kosačka Landroid® L pracuje.



3.1 Ako moja kosačka Landroid® L vie, čo má kosiť?

Kosačka Landroid® L volí smer svojho pohybu náhodne. Kosačka zaisťí, aby bol celý váš trávnik rovnomerne pokosený a aby na trávniku nezostali žiadne nepekné stopy po kosení (pozri obr. A).



A

3.2 Ako moja kosačka Landroid® L vie, kam má ísť?

Vaša kosačka Landroid® L je schopná prevádzať rôzne úkony sama. Táto kosačka Landroid® L vie, kedy sa musí dostať do svojej nabíjacej základne (3), aby sa nabila jej batéria, pomocou senzorov spozná dážď, môže sama zastaviť, ak zistí problém a vie, že musí zastaviť, trochu odísť a potom sa otočiť okolo, ak narazí do iného predmetu alebo niečoho, čo blokuje jej dráhu. Kosačka Landroid® L tiež automaticky zastaví rotujúci nožový kotúč (16), ak je zdvihnutá zo zeme, aby sa zabránilo spôsobeniu nehody.

A. Vyhľadanie nabíjacej základne

Pokiaľ Váš Landroid® L potrebuje dobiť, ukončí kosenie a pozdĺž ohraničujúceho vodiča (23) sa smerom proti chodu hodinových ručičiek vráti naspäť k nabíjacej základni. Landroid® L je dopredu naprogramovaný tak, aby kosil trávu v oblasti ohraničenej vodičom jedenkrát za týždeň. Ak chcete kosiť trávu v oblasti ohraničenej vodičom v inej dobe, Otvorte kryt ovládacieho panelu, stlačte tlačidlo s ikonou domčeka a kryt panelu zatvorte.

Landroid® L ukončí kosenie, vyhľadá ohraničujúci vodič a bude kosiť trávu v jeho blízkosti, kým sa nedostane k nabíjacej stanici. Odporúčame vám používať túto funkciu, ak je batéria nabitá na viac ako 75 %. Napájacie napätie batérie môžete skontrolovať na displeji.

B. Sensory na dážď

Táto kosačka Landroid® L je vybavená senzormi na dážď (12), ktoré budú spoznajú kvapky dažďa a vydajú kosačke príkaz na zastavenie práce a na sledovanie ohraničujúceho drôtu, ktorý kosačku navedie naspäť do nabíjacej základne (pozri obr. B).


Kosačku Landroid® L môžete naprogramovať pre prípad dažďa tak, aby obnovila svoju funkciu s oneskorením (0 - 180 minút). Ak sú dažďové senzory mokré, kosačka Landroid® Lsa vráti do nabíjacej základne. Hneď ako budú senzory dažďa suché, kosačka Landroid® L zahájí odpočet oneskorenia alebo obnoví svoju funkciu ihneď. Pozri časti Programovanie a Odstraňovanie porúch, kde nájdete ďalšie podrobnosti.

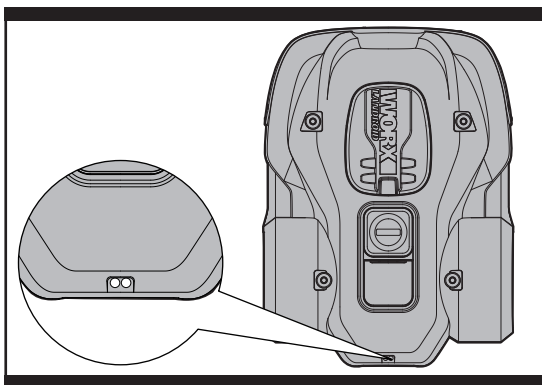
C. Sledovanie ohraničujúceho drôtu

Kosačka Landroid® L vždy sleduje hranicu určenú ohraničujúcim drôtom a používa dva senzory na prednej časti, aby reagovala, ak sa dostane blízko k prekážke (pozri obr. C). Pred zmenou smeru kosačka Landroid® L prekročí ohraničujúci drôt až o 25 cm *.

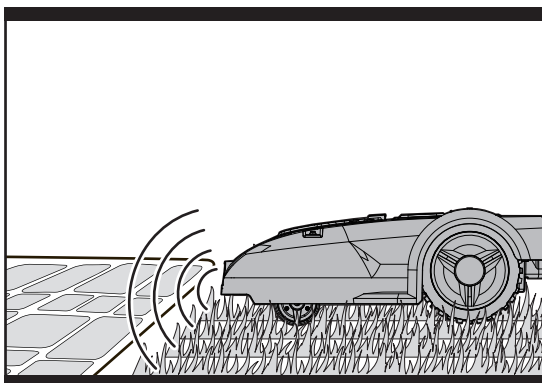
* Jedná sa o odporúčenú vzdialenosť. Na zaistenie správnej inštalácie použite dodané meradlo vzdialenosti.

D. Spustenie a zastavenie v priebehu kosenia

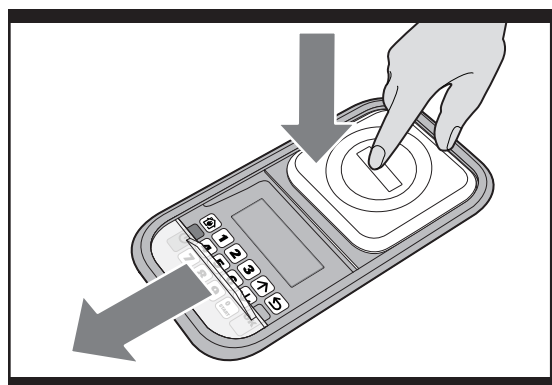
Ak chcete vydať príkaz aby kosačka Landroid® L ukončila kosenie, potom jednoducho stlačte tlačidlo STOP (8) na hornej časti kosačky. Kosiť znovu nezačnete, kým nestlačíte tlačidlo  a nezatvoríte kryt ovládacieho panelu. (pozri obr. D,E) Ak kosačka Landroid® L zistí nejaký problém, na displeji (20) sa zobrazí chybové hlásenie a ak kosačka neobdrží do 20 minút od užívateľa žiadny príkaz, sama sa vypne (ďalšie informácie o chybových hláseniach nájdete v častiach Programovanie a Odstraňovanie porúch).



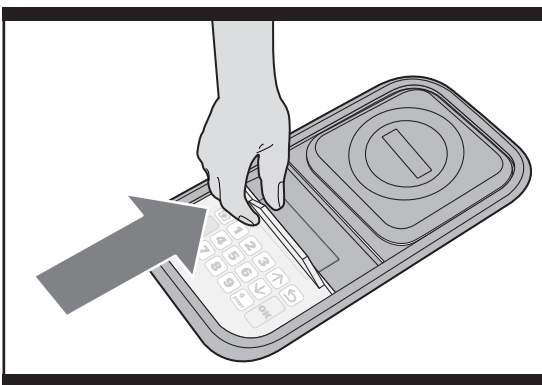
B



C





D





E

Obnovenie prevádzky:

Postup 1: STOP - Automatické vypnutie po 20 minútach

- Stlačte tlačidlo STOP
- Otvorte kryt ovládacieho panelu
- Stlačte tlačidlo zapnuté/vypnuté (21) do polohy zapnuté
- Stlačte tlačidlo  aby došlo k odstráneniu problému
- Znovu stlačte tlačidlo  a zatvorte kryt ovládacieho panelu
- Teraz kosačka Landroid® L zahájí kosenie!

Postup 2: STOP - Bez automatického vypnutia

- Stlačte tlačidlo STOP
- Otvorte kryt ovládacieho panelu
- Stlačte tlačidlo  aby došlo k odstráneniu problému
- Znovu stlačte tlačidlo  a zatvorte kryt ovládacieho panelu
- Teraz kosačka Landroid® L zahájí kosenie!

3.3 Akú veľkú plochu môže moja kosačka Landroid® L pokosiť?

Vaša kosačka Landroid® L môže pokosiť rôzne veľkú plochu trávniku, ale závisí to od rôznych faktorov, ako sú:

- Druhy trávy na vašom trávniku a jeho výška
- Nabrúsenie nožov kosačky (17)
- Vlhkosť
- Okolité teplota
- Množstvo prekážok v trávniku

Ak je okolité teplota v mieste vášho bydliska veľmi vysoká, vaša kosačka Landroid® L sa môže nabíjať pomalšie. Kosačka Landroid® L spotrebuje menej energie na otvorených plochách, kde je iba niekoľko prekážok, ako sú kvetinové záhony, fontánky, chodníky atď...

Východziu pracovnú dobu kosačky Landroid® L pre rôzne veľkosti trávnej plochy nájdete v programovom sprievodci.

V závislosti od vyššie uvedených faktorov sa doby kosenia u každého trávniku odlišujú. Postupne nastavujte dobu kosenia tak, aby ste umožnili kosačke Landroid® L vykonávať kosenie každý deň, pokiaľ nenájdete najvhodnejšie nastavenie.

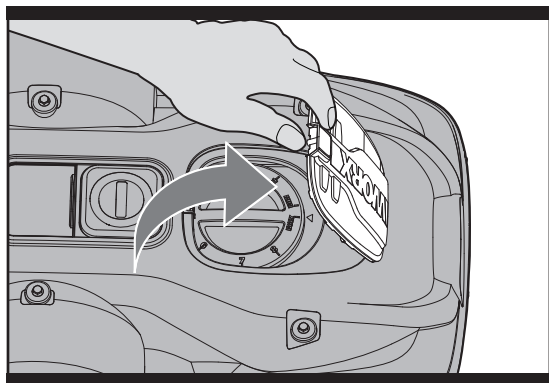
Pracovnú dobu vašej kosačky Landroid® L môžete naprogramovať tak, aby vyhovovala vášmu časovému plánu - pozri časť Programovanie.

3.4 Ako účinne bude moja kosačka Landroid® L vykonávať kosenie trávniku?

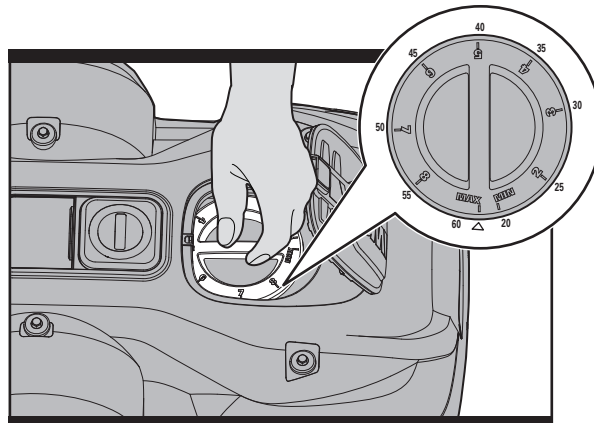
Výška kosenia kosačky Landroid® L môže byť nastavená v rozsahu od 2 do 6 cm. Pred prvým použitím vašej kosačky Landroid® L musíte pokosiť trávnik na výšku, ktorá nebude presahovať 9 cm. Potom sa uistíte, či ste otvorili KRYT OVLÁDACIEHO PANELU NA NASTAVENIE VÝŠKY KOSENIA (6) a či ste nastavili výšku kosenia na maximálnu hodnotu 6 cm (pozri obr. F, G).

Táto kosačka Landroid® L bude vykonávať kosenie najlepšie za suchého počasia. Ak je tráva mokrá, môže dochádzať k hromadeniu pokosenej trávy v kotúči s nožmi (16) a v blízkosti motora. Pri práci môže tiež dochádzať k strate trakcie a k prešmykovaniu koliesok.

Vaša kosačka Landroid® L môže byť tiež poškodená pri búrke s bleskami. Ak dôjde k búrke s bleskami, chráňte kosačku Landroid® L odpojením nabíjacej základne (3) od napájacieho zdroja a odpojením ohraničujúceho drôtu (23). Zaisťte, aby



F



G

nebolo umožnené nabíjanie kosačky Landroid®L.

Vaša kosačka Landroid®L vyžaduje udržiavanie nožov (17) v dobrom stave, aby bolo umožnené čo najkvalitnejšie kosenie. Táto kosačka Landroid®L môže prevádzkať väčšinu úkonov sama, ale niekedy bude vyžadovať vašu pomoc, aby sa zabránilo jej poškodeniu.

- Nikdy nenechávajte kosačku Landroid®L prechádzať cez štrkové povrchy.
- Odstráňte prekážky alebo zabráňte prístup k prekážkam, na ktoré by mohla kosačka Landroid®L náhodne nabehnúť, pričom by mohlo dôjsť k poškodeniu kotúča s nožmi.
- Odstráňte z trávniku všetky nečistoty a cudzie predmety.

4. Diaľkové ovládanie mobilným telefónom (iba pre určité modely, nájdete Technické údaje a zoznam dielov & Prehlásenie o zhode)

Vašu kosačku Landroid®L môžete ovládať pomocou chytrého mobilného telefónu. Všetky základné nastavenia môžu byť prevedené na vašom mobilnom telefóne. Môžete na ňom zobrazit' aktuálny pracovný stav a dokonca aj hlásenie chýb. Podrobné informácie nájdete v Sprievodcovi pripojením Landroid®L Wifi.

5. Základy týkajúce sa ohraničujúceho drôtu

5.1 Kolíkovanie ohraničujúceho drôtu

Na nastavenie správnej vzdialenosti od hranice vášho trávniku použite dodávané meradlo vzdialenosti ohraničujúceho drôtu (26) (viac než 45 cm *).

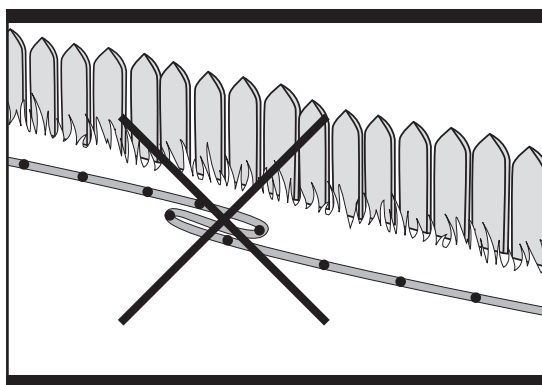
* Jedná sa o odporúčenú vzdialenosť. Na zaistenie správnej inštalácie použite dodané meradlo vzdialenosti.

Ak váš sused používa tiež kosačku Landroid®L, musíte medzi vašim ohraničujúcim drôtom a ohraničujúcim drôtom vašich susedov udržiavať vzdialenosť minimálne 0.5 metre.

Ohraničujúci drôt musí presne ohraničiť plochu určenú na kosenie.

Vaša kosačka Landroid®L bude zmätená z ďalších ohybov alebo slučiek na ohraničujúcom drôte, ktoré nebudú súčasťou plochy

určenej na kosenie (pozri obr. H) . Ak vám zostane po vytýčení plochy trávniku zvyšok ohraničujúceho drôtu, zvyšnú časť drôtu odrežte a odložte ho na iné miesto. Je veľmi dôležité, aby ste nechali potrebnú dĺžku ohraničujúceho drôtu na mieste, kde bude pripojený k nabíjacej základni, aby mohol byť pripojený a aby mohol zostať zahrabaný.



5.2 Zahrabávanie ohraničujúceho drôtu

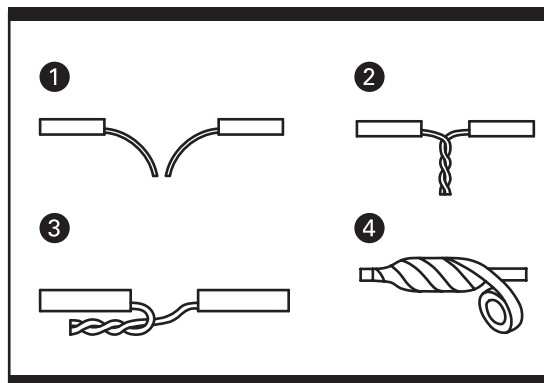
Ak plánujete zahrabanie ohraničujúceho drôtu do zeme, musíte si uvedomiť, že pri prvom nabehnutí do nabíjacej základne môže mať vaša kosačka Landroid®L problémy s nájdením správnej cesty vytýčenej drôtom. Preto vám odporúčame najskôr pripevniť ohraničujúci drôt k trávniku tak, aby bolo v prípade nutnosti umožnené upravenie jeho polohy. Takýmto spôsobom umožníte kosačke Landroid®L, aby sa pred tým, ako sa zahrabe ohraničujúci drôt, prispôbila svojmu novému pracovnému prostrediu a aby úspešne pracovala s nabíjacou základňou.

Po ukončení inštalácie ohraničujúceho drôtu vám odporúčame, aby ste stlačením tlačidla s ikonou domčeka vyskúšali kosačku Landroid®L pri sledovaní ohraničujúceho drôtu.

Pri sledovaní kosačky Landroid®L, ktorá vyhľadáva nabíjaciu základňu, môžete vykonávať úpravy polohy ohraničujúceho drôtu, aby ste zaistili bezproblémové sledovanie ohraničujúceho drôtu kosačkou Landroid®L pri vyhľadávaní nabíjacej základne.

5.3 Spájanie ohraničujúceho drôtu

Ohraničujúci drôt (23) môže byť jednoducho predĺžený vzájomným prepletením jeho koncových častí. Na zabezpečenie spojených častí ohraničujúceho drôtu môžete použiť izolačnú pásku. (Pozri obr. I)



6. Aktualizácia softwaru

Hneď ako bude k dispozícii nová verzia softwaru pre túto kosačku Landroid®L, môže byť prevedená jeho aktualizácia. Verzia nainštalovaného software sa zobrazí na stránke diagnostiky po stlačení tlačidla 2 na domovskej stránke. Poslednú verziu software môžete stiahnuť z vašich webových stránok www.worxlandroid.com. Pred sťahovaním si na stránke preštudujte podrobné pokyny.

Dodaný návod na použitie vychádza z východiskového softvéru, ktorý sa používa pri hromadnej výrobe. Niektoré nové vlastnosti/funkcie, ktorými disponuje nová verzia, nemusia byť v návode uvedené. Ak objavíte niektoré nastavenia, ktoré nie sú uvedené v návode, navštívte, prosím, internetovú adresu www.worxlandroid.com a stiahnite si najnovší návod.

7. Údržba

Vaša kosačka Landroid®L musí byť občas skontrolovaná. Práca kosačky Landroid®L je náročná a občas musí byť prevedené jej vyčistenie a tiež výmena niektorých dielov, ktoré by mohli byť opotrebované.

7.1 Udržujte nože kosačky ostré

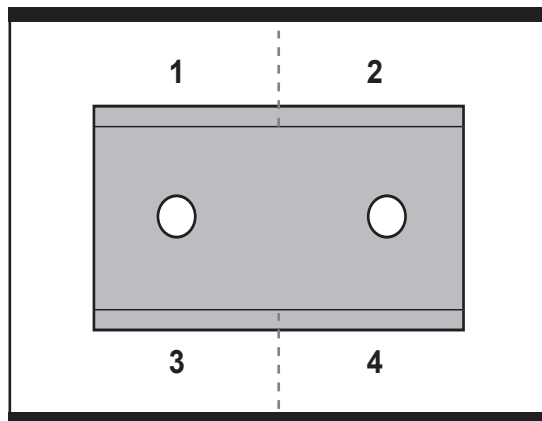
VAROVANIE: Pred čistením, nastavovaním alebo pred výmenou nožov váš Landroid®L vypnite a nasad'te si ochranné rukavice.

VAROVANIE! Ak budete montovať nové nože, zaistite, aby boli vždy vymenené VŠETKY nože. Pri montáži nových nožov vždy používajte nové skrutky. Je to dôležité, aby bolo zaistené riadne upevnenie noža. Ak nebudú použité nové skrutky, mohlo by dôjsť k spôsobeniu vážneho zranenia.

Kosačka Landroid®L nekosí trávu ako ostatné kosačky. Jej čepele (17) sú ostré ako britva na všetkých 4 hranách a na dosiahnutie maximálnej reznej kapacity rotujú v oboch smeroch (pozri obr. J). Každý nôž vašej kosačky Landroid®L má 4 rezné hrany. V závislosti od frekvencie kosenia vášho trávniku kosačkou Landroid®L musia byť nože pravidelne otáčané/obrátené, aby mohli byť použité nové pracovné hrany. Ak je vaša kosačka Landroid®L naprogramovaná na každodenné kosenie trávniku, otočenie nožov bude musieť byť vykonané každý mesiac, aby boli dosiahnuté najlepšie výsledky. Životnosť každého noža pri každodennom kosení je až 4 mesiace. Ak sú nože tupé a opotrebované, mali by byť nahradené za nové, dodané s vašou kosačkou Landroid®L. Náhradné nože sú k dispozícii tiež u vášho najbližšieho predajcu WORX.

A. Otočenie a prevrátenie nožov

Vaša kosačka Landroid®L je vybavená nožmi, ktoré sú pomocou skrutiek upevnené k nožovému kotúču (16). Tieto nože umožňujú kosačke Landroid®L vykonávať určenú prácu a vyžadujú starostlivosť a pozornosť. Občas by mali byť zároveň otočené a obrátené všetky nože, aby bola zaručená kvalita kosenia. Pri otáčaní a obracaní nožov sa súčasne presvečte, či sú všetky nože tiež nastavené, aby nemohlo dôjsť k strate vyváženia nožového kotúča. Ak bude vaša kosačka Landroid®L vykonávať kosenie podľa normálneho časového plánu, (každý deň) a ak budú nože otáčané a obrátené každý mesiac, mali by vydržať minimálne jednu sezónu. Vždy prevádzajte vizuálnu kontrolu, či sa nože neštíepia alebo sa nepoškodili iným spôsobom. Ak sú poškodené, prevedte ich výmenu.



J

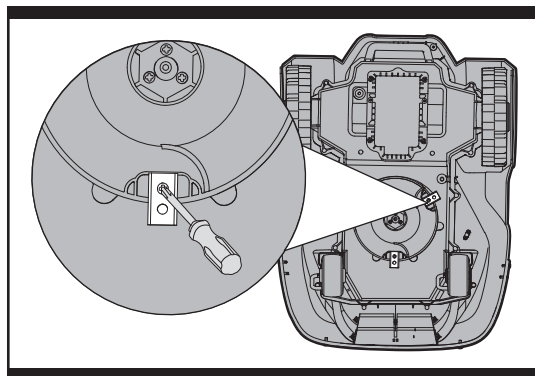
B. Výmena nožov (Pozri obr. K)

Po určitej dobe, obvykle po každej sezóne, bude u vašej kosačky Landroid®L nutné prevedenie výmeny nožov. Vaša kosačka Landroid®L nemá rada kosenie, ak je vybavená nožmi rôzneho veku a kvality. Preto sa pri výmene nožov uistite, či sú vymenené všetky nože súčasne. Pri výmene môžete použiť jednu z troch sád náhradných nožov a skrutiek, ktoré sú dodávané spoločne s vašou kosačkou Landroid®L.

Pred prevádzaním výmeny nožov kosačku Landroid®L vždy vypnite a použite ochranné rukavice. Potom postupujte podľa nasledujúcich krokov:

1. Opatrne kosačku Landroid®L obráťte.
2. Dajte dolu kryt batérie a batériu vyťahnite.
3. Pomocou skrutkovača vyskrutkujte skrutky, ktoré upevňujú nože.
4. Pomocou nových skrutiek riadne upevnite nové nože.
5. Vložte naspäť batériu a zavrite kryt batérie.

DÔLEŽITÉ: Po upevnení nožov k nožovému kotúču pomocou skrutiek sa uistite, či sa nožový kotúč môže voľne otáčať.



K

7.2 Udržujte kosačku v čistom stave

VAROVANIE! Pred čistením váš Landroid®L VYPNITE. Pred čistením nožového kotúča (16) si nasadte ochranné rukavice a nepoužívajte prúd vody. (Pozri obr. L)

A. Čistenie krytu kosačky

Vaša kosačka Landroid®L bude oveľa lepšie pracovať a bude mať dlhšiu životnosť, ak bude pravidelne prevádzané jej čistenie. Aj keď je vaša kosačka Landroid®L elektrické zariadenie, budete musieť byť pri vyčistení veľmi opatrní, preto na čistenie kosačky Landroid®L NEPOUŽÍVAJTE hadicu, vysokotlakovej umývačky alebo iný zdroj tečúcej vody. Najlepším riešením je použitie ručného postrekovača naplneného vodou. Pri očistení krytu kosačky používajte mäkkú kefku alebo čistú handru a vyvarujte sa použitiu rozpúšťadiel alebo leštidiel (pozri obr. L). Nakoniec skontrolujte, či ste odstránili všetky zvyšky nahromadenej pokosenej trávy a iné nečistoty

B. Čistenie spodnej časti kosačky

Znovu je veľmi dôležité, aby ste vašu kosačku Landroid®L vypli pomocou tlačidla zapnuté/vypnuté a aby ste si pred manipuláciou s nožovým kotúčom (16) nasadili ochranné rukavice.

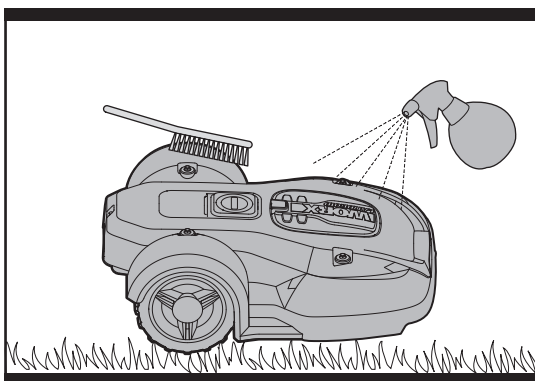
Najskôr otočte kosačku Landroid®L spodnou stranou nahor, aby bol vidieť podvozok. Môžete tu vidieť nožový kotúč, HLAVNÝ KRYT(14), predné kolieska (18) a hnacie kolieska (11). Všetko kompletne očistíte pomocou mäkkej kefky alebo vlhkej handry.

Otočte žacím kotúčom aby ste sa uistili, či sa voľne otáča. Skontrolujte, či sa nože voľne otáčajú okolo pridržiavacích skrutiek. Akékoľvek prekážky odstráňte.

DÔLEŽITÉ: Odstráňte všetky zachytené nečistoty, aby nemohli spôsobiť prasknutie nožového kotúča. Dokonca aj ta najtenšia prasklina môže znížiť prevádzkový výkon vašej kosačky Landroid®L.

C. Čistenie kontaktných kolíkov a nabíjacích pásov.

Pomocou vhodnej handry očistíte kontaktné kolíky (2), ktoré sa nachádzajú na nabíjacej základni (3) a nabíjaciú pásku (5) na kosačke Landroid®L. Pravidelne odstraňujte všetky zvyšky nahromadenej pokosenej trávy a nečistoty, ktoré sa nachádzajú v blízkosti kontaktných kolíkov a nabíjacích pásov, aby ste vždy zaistili úspešné nabíjanie batérie kosačky Landroid®L.



L

7.3 Životnosť batérie

Srdcom kosačky Landroid®L je jeho batéria Li-Ion s napájacím napätím 28 V. U tejto batérie nie je vyžadovaná žiadna údržba. Ak sa chcete uistiť o správnom uložení batérie, zaistíte, aby bola úplne nabitá a uložte ju na chladné a suché miesto s teplotou v rozsahu 20°C až 60°C.

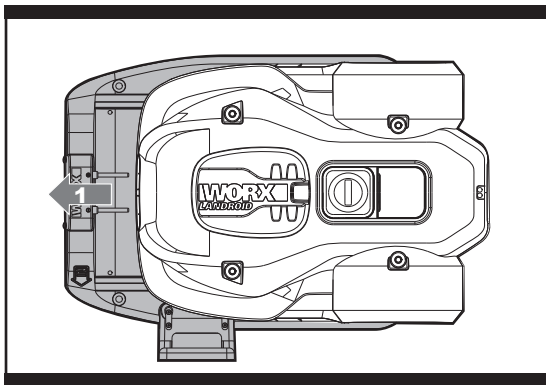
Prevádzková životnosť batérie kosačky Landroid®L závisí od rôznych faktorov, ako sú:

- Doba trvania sezóny kosenia vo vašom regióne
- Počet hodín, kedy bude kosačka Landroid®L každý deň vykonávať kosenie
- Údržba batérie v priebehu uskladnenia

Kosačku Landroid®L môžete nabíjať ručne bez použitia ohraničujúceho drôtu.

Prevádzanie ručného nabíjania batérie bez pripojenia ohraničujúceho drôtu k nabíjacej základni:

- 1. Pripojte základňu na nabíjanie k vhodnému napájaciemu zdroju.**
- 2. Ručne umiestnite kosačku Landroid®L, ktorá je vo vypnutom stave, do základne na nabíjanie. (pozri obr. M1)**
- 3. Rozsvieti sa červená kontrolka základne na nabíjanie.**
- 4. Súčasne je na displeji zobrazované "charging"(nabíjanie).(pozri obr. M2) Kosačka Landroid®L sa začne nabíjať. Landroid®L rozpoczne ľadovanie.**



M1



M2

7.4 Uskladnenie na zimu

Prevádzková životnosť kosačky Landroid®L bude dlhšia, ak zaistíte v zimnom období jej kvalitné uloženie. Aj keď to nemusí byť jednoduché, odporúčame vám v zimnom období uskladniť kosačku Landroid®L v kôlne alebo v garáži.

Pred prípravou vašej kosačky Landroid®L na uloženie v zimnom období vám odporúčame:

- Očistíte celú kosačku Landroid®L
- Batériu úplne nabíte
- Prevedzte vypnutie

Pred uložením na zimnú sezónu vám odporúčame nabiť batériu na maximálnu kapacitu, aby bola maximalizovaná jej prevádzková životnosť.

Ohraničujúci drôt môže byť nechaný v zemi, ale jeho koncové časti musia byť chránené, napríklad zasunutím do nádoby s mazivom. Ak je základňa na nabíjanie nechaná v zimnom období vonku, nechajte ohraničujúce drôty pripojené k tejto základni.

POZNÁMKA: Pred opätovným uvedením kosačky Landroid®L do prevádzky po ukončení zimnej sezóny sa uistite, či sú nabíjacie pásky (5) a kontaktné kolíky (2) čisté. Pri očistení vám odporúčame používať jemný šmirgľový papier. Potom sa uistite, či je nastavený správny dátum a čas a uveďte kosačku Landroid®L späť do pracovného procesu, ktorý má rada: na záhradu, kde bude kosiť trávnik.

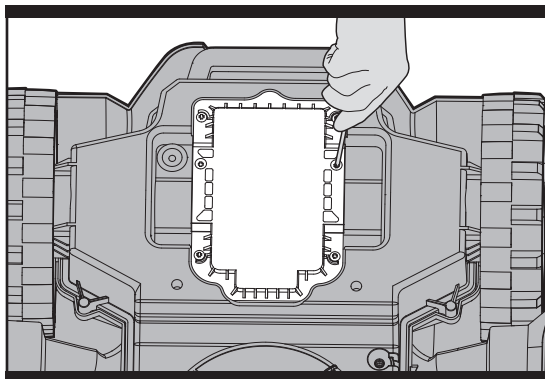
7.5 Výmena batérie



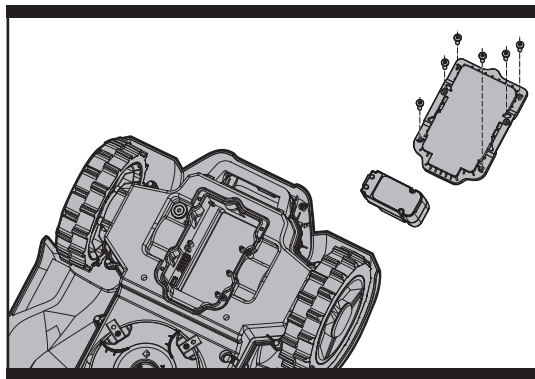
VAROVANIE: Pred každým nastavovaním, výmenou alebo opravou stlačte tlačidlo zapnuté/vypnuté, aby došlo k vypnutiu kosačky.

Ak chcete previesť výmenu batérie, postupujte podľa nasledujúcich krokov:

1. Opatrne obráťte kosačku Landroid®L spodnou stranou nahor.
2. Vyskrutkujte štyri skrutky, ktoré sa nachádzajú na kryte batérie (pozri obr. N).
3. Vytiahnite starú batériu (pozri obr. O).
4. Vložte do kosačky novú batériu.
5. Utiahnite riadne všetky skrutky.




N



O

Ochrana životného prostredia

 Elektrické výrobky sa nesmú likvidovať spolu s domácim odpadom. Recyklujte v zberných miestach na tento účel zriadených. O možnosti recyklácie sa informujte na miestnych úradoch alebo u predajcu.

IZVORNA NAVODILA

VSEBINA

1. Varnostna navodila	127
1.1 Splošna in dodatna varnostna navodila	127
1.2 Informacije o napravi Landroid®L	129
2. Seznam delov	130
3. Predstavitev naprave Landroid®L	132
3.1 Kako moj Landroid®L ve, kaj mora kositi?	132
3.2 Kako moj Landroid®L ve, kam mora iti?	133
A. Iskanje baze za polnjenje	133
B. Senzorji za dež	133
C. Zaznavanje žice za omejitev	133
D. Zaganjanje in zaustavljanje med košnjo	133
3.3 Kako veliko območje lahko kosi moj Landroid®L?	134
3.4 Kako učinkovito bo moj Landroid®L pokosil travo?	134
4. Mobilni daljinski upravljalnik	135
5. Osnovne informacije glede žice za omejitev	135
5.1 Pritrditev žice za omejitev	135
5.2 Zakopavanje žice za omejitev	135
5.3 Spajanje žice za omejitev	135
6. Posodobitev programske opreme	136
7. Vzdrževanje	136
7.1 Skrbite, da bodo rezila vedno ostra	136
A. Obračanje rezil	136
B. Menjava rezil	136
7.2 Skrbite, da bo naprava vedno čista	137
A. Čiščenje ohišja	137
B. Čiščenje spodnjega dela	137
C. Čiščenje kontaktnih priklopov in trakov napajalnika	137
7.3 Življenjska doba akumulatorja	137
7.4 Shranjevanje preko zime	138
7.5 Menjava akumulatorja.	138

1. VARNOSTNA NAVODILA

1.1 Splošna in dodatna varnostna navodila



OPOZORILO : Preberite vsa varnostna opozorila in navodila. Neupoštevanje opozoril in navodil lahko privede do električnega udara in/ali resnih poškodb.

Pred uporabo si pazljivo preberite navodila za varno obratovanje naprave.

Vsa opozorila in navodila si shranite za kasnejšo uporabo.

- Te naprave naj ne bi uporabljale osebe (vključno z otroci) z zmanjšanimi fizičnimi, senzoričnimi ali mentalnimi zmožnostmi, oziroma brez izkušenj ali ustreznega znanja, razen, če niso prejeli ustreznih navodil, oziroma jih je o načinu uporabe predhodno podučila oseba, ki je odgovorna za njihovo varnost.
- Otroke morate ustrezno podučiti in nadzorovati, da se ne bodo igrali z napravo.
- Napravo lahko uporabljate le, če imate na voljo tudi enoto za napajanje.

POMEMBNO

PRED UPORABO OBVEZNO PREBERITE

SHRANITE ZA KASNEJŠO UPORABO

VARNA UPORABA

Usposabljanje

- a) Pazljivo preberite navodila. Poskrbite, da boste dobro seznanjeni z navodili in krmilnimi elementi ter s samo uporabo naprave;
- b) Nikoli ne dovolite, da bi osebe, ki niso ustrezno seznanjene s temi navodili ali otroci uporabljali to napravo. Lokalni predpisi lahko tudi predpisujejo starost uporabnika naprave;
- c) Uporabnik naprave je odgovoren za vse nesreče ali škodo, ki se pripeti drugim ali njihovi lastnini

Priprava

- a) Poskrbite za pravilno in z navodili skladno namestitve žice za omejitve.
- b) Občasno preglejte območje uporabe naprave in odstranite morebitne kamne, palice, žice, kosti ali druge moteče predete.
- c) Občasno tudi vizualno preglejte rezila, pritrdilne vijake rezil ter sestav rezalnika glede obrabljenosti in poškodb. Obrabljena ali poškodovana rezila in vijake obvezno zamenjajte in tako zagotovite ustrezno uravnoveženost.
- d) Pri več-vretenskih napravah pazite, saj se zaradi obrata enega vretena lahko obrne tudi drugo.
- e) **OPOZORILO!** Kosilnice ne smete uporabljati, če nima nameščenega zaščitnega varovala.

DELOVANJE

1. SPLOŠNO

- a) Naprave nikoli ne uporabljajte, če ima poškodovano zaščitna varovala ali drugih varnostnih delov, kot so deflektorji;
- b) Nikoli ne postavljajte rok ali stopal blizu ali pod vrteče se dele. Odprtine za izmet naj bodo vedno čiste;
- c) Naprave nikoli ne dvigujte ali je prenašajte, če motor deluje;
- d) Na napravi aktivirajte enoto za blokado delovanja;
 - Pred čiščenjem zagozdenega dela;
 - Pred preverjanjem, čiščenjem ali delom na napravi;
- e) Nikoli ne smete predelovati originalne zasnove robotske kosilnice. Vsakršno predelavo lahko opravite le na svojo odgovornost.
- f) Robotsko kosilnico lahko zaganjate le skladno z navodili. Ko je glavno stikalo v vklopljenem položaju dlani in stopal nikakor ne zadržujte blizu vrtečih se rezil. Dlani in stopal nikoli ne postavljajte pod kosilnico.
- g) Robotske kosilnice nikoli ne dvigajte ali prenašajte, če je stikalo za vklop v vklopljenem položaju.
- h) Oseba, ki niso seznanjene s postopki uporabe robotske kosilnice, nikoli ne dovolite, da bi slednjo tudi uporabljale.
- i) Na robotsko kosilnico ali na postajo za polnjenje nikoli ne postavljajte ničesar.
- j) Nikoli ne uporabljajte robotske kosilnice, ki ima okvarjen rezalni kolut ali ohišje. Nikakor je tudi ne uporabljajte, če ima okvarjena rezila, vijake, matice ali napeljavo.
- k) Če robotske kosilnice ne boste uporabljali, vedno izklopite glavno stikalo. Robotska kosilnica se lahko zažene le, če je glavno stikalo v vklopljenem položaju in je vnesen pravilni PIN.

2. DODATNA OPOZORILA PRI SAMODEJNEM OBRATOVANJU

- a) Če veste, da se ali se bodo na območju košnje zadrževale domače živali ali ljudje, naprave nikoli ne pustite, da bi obratovala samodejno brez vašega nadzora.

VZDRŽEVANJE IN SHRANJEVANJE



OPOZORILO! Kadar robotsko kosilnico obrnete okoli, mora biti glavno stikalo v izklopljenem položaju.

Glavno stikalo mora biti v izklopljenem položaju tudi med vsakim posegom pod ohišjem robotske kosilnice, predvsem med čiščenjem ali menjavo rezil.

- a) poskrbite, da bodo vse matice in vijaki vedno dobro priviti, saj le tako zagotovite, da je naprava v varnem stanju;
- b) robotsko kosilnico preverjajte tedensko in takoj zamenjajte vse okvarjene ali obrabljene dele, kajti le tako boste zagotavljali varno delovanje;
- c) posebej pozorno preverite stanje rezalnega koluta in rezil. Če je treba, zamenjajte rezila in vijake hkrati, saj le tako lahko zagotovite, da bodo vrteči se deli ostali uravnoteženi.
- d) pri menjavi rezil pazite, da boste uporabili le takšne, ki ustrezajo specifikacijam;
- e) poskrbite, da bo akumulator vedno napolnjen, za polnjenje uporabljajte le predpisano vrsto polnilcev. Uporaba napačnega polnilca lahko povzroči električni udar, pregrevanje ali otekanje korozivne tekočine iz akumulatorja;
- f) v primeru, da iz akumulatorja izteče korozivna tekočina, okuženo površino izperite z večjo količino vode/sredstva za nevtraliziranje, če pa tekočina pride v stik s kožo ali deli telesa, pa takoj poiščite zdravniško pomoč;
- g) servisiranje naprave morate vedno izvajati skladno z navodili proizvajalca.

Prevoz

Med prevažanjem robotske kosilnice na daljše razdalje, tega vedno namestite v originalno embalažo.

Za varno dostopanje na območje košnje ali njegovo zapuščanje:

- a) Pritisnite gumb STOP, da zaustavite delovanje kosilnice.
- b) PIN kodo ste določili ob prvem zagonu kosilnice.
- c) Če robotske kosilnice ne boste uporabljali, vedno izklopite glavno stikalo.
- d) Kosilnico prenašajte tako, da jo držite za ročaj na zadnji strani. Med prenašanjem naj bo rezalni kolut obrnjen proč od vas.



Varnostna opozorila za akumulator

- a) **Ne razstavlajte, odpirajte ali odstranjujte celic akumulatorja.**
- b) **Pazite, da ne povzročite kratkega stika akumulatorja. Akumulatorjev nikoli ne shranjujte v škatli ali predalu, kjer bi lahko prišlo do kratkega stika zaradi dotika kontaktov s prevodnimi predmeti.** Kadar akumulator ni nameščen v strojčku, ga hranite proč od drugih kovinskih predmetov, kot so sponke za papir, kovanci, ključi, žebliji, vijaki ali drugi drobni kovinski predmeti, ki bi lahko omogočili povezavo med kontakti. Če pride do stika med kontakti akumulatorja, to lahko povzroči požar.
- c) **Akumulatorja ne izpostavljajte vročini ali ognju. Poskrbite, da ne bo izpostavljen neposredni sončni svetlobi.**
- d) **Akumulatorja ne izpostavljajte mehanskim udarcem.**
- e) **Če opazite, da akumulator pušča, pazite, da tekočina ne bo prišla v stik z očmi. Če akumulatorska tekočina vseeno pride v stik z očmi, izperite prizadeto območje z obilo vode in poiščite zdravniško pomoč.**
- f) **Predvsem pa takoj poiščite medicinsko pomoč, če ste celico ali del akumulatorja zaužili.**
- g) **Akumulator shranjujte na čistem in suhem mestu.**
- h) **Akumulator deluje najbolj učinkovito pri sobni temperaturi (20 °C ± 5 °C).**
- i) **Pri odlaganju akumulatorja pazite, da boste akumulatorje, ki imajo različne elektrokemične sisteme zavrgli ločeno.**
- j) **Za polnjenje uporabljajte le polnilce, ki jih je predpisal WORX. Nikoli ne uporabljajte polnilcev, ki niso posebej namenjeni za polnjenje vašega akumulatorja.** Polnilec, ki je lahko primeren za polnjenje ene vrste akumulatorjev, lahko pri drugi povzroči nevarnost požara.
- k) **Nikoli ne uporabljajte polnilcev, ki niso posebej zasnovani za polnjenje vašega akumulatorja.**
- l) **Akumulatorje shranjujte izven dosega otrok.**
- m) **Za podrobnosti, si oglejte gradivo, ki je bilo priloženo akumulatorju.**
- n) **Akumulatorje odlagajte skladno s predpisi.**

1.2 INFORMACIJE O Landroid®L



OPOZORILO – robotska kosilnica je ob napačni uporabi lahko nevarna.

Preden uporabite robotsko kosilnico, si pazljivo preberite navodila za uporabo.



OPOZORILO – Med obratovanjem naprave bodite od nje vedno oddaljeni.



OPOZORILO – Pred dviganjem ali delom na napravi vedno aktivirajte enoto za blokado delovanja.



OPOZORILO – Nikoli ne sedajte na robotsko kosilnico.



Prepovedano sežiganje



Če akumulatorjev ne odlagajte skladno s predpisi, lahko škodljivo vplivajo na okoljske vode in na celotni ekosistem. Rabljenih akumulatorjev nikoli ne odlagajte med mešane odpadke.



Li-Ion

Akumulatorje morate ustrezno reciklirati. Akumulatorjev ne zavržite skupaj z ostalimi odpadki, temveč jih dostavite na mesto za ločeno zbiranje odpadkov.



Naprave nikoli ne perite z visokotlačnim čistilnikom.

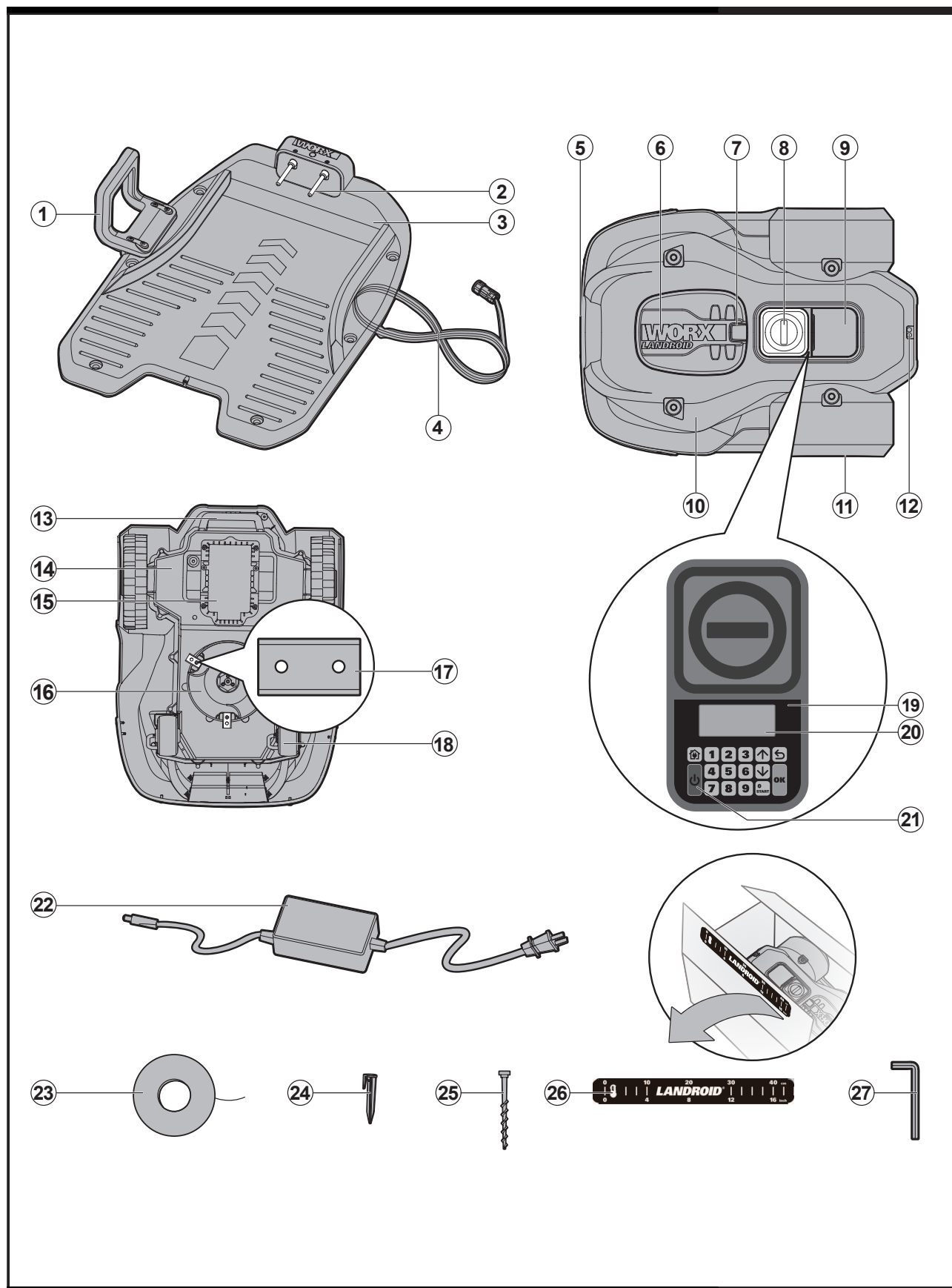


Naprava razreda III



Odpadnih električnih naprav ne smete zavreči skupaj z ostalimi gospodinjskimi odpadki. Dostavite jih na mesto za ločeno zbiranje odpadkov. Glede podrobnosti, se posvetujte z lokalno službo za ravnanje z odpadki.

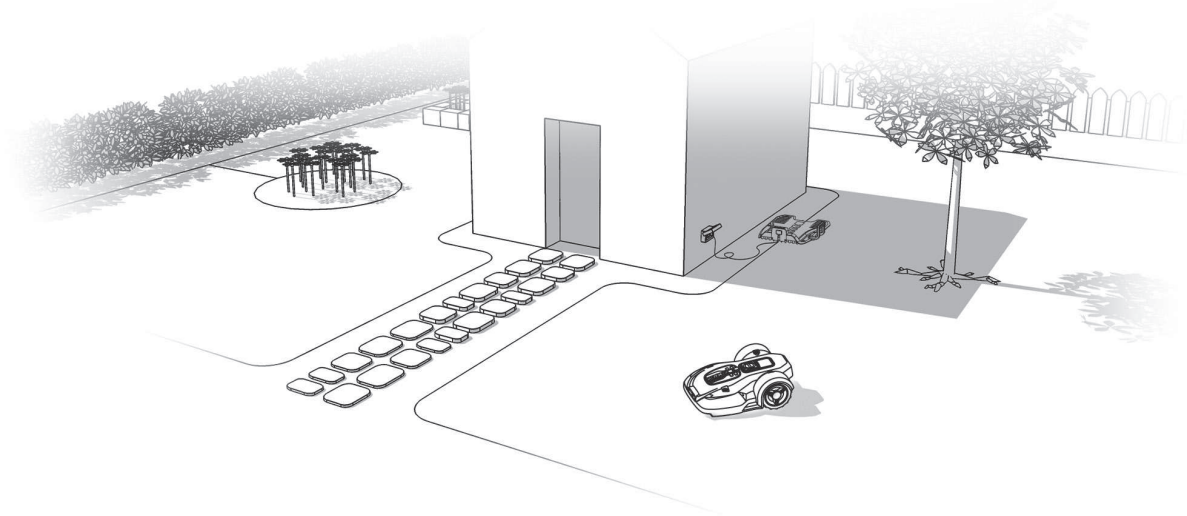
2. Sestavni deli



1. **KRMILO**
2. **KONTAKTNA PRIKLOPA**
3. **BAZA ZA POLNJENJE**
4. **NIZKONAPETOSTNI KABEL**
5. **TRAKOVA NAPAVALNIKA**
6. **POKROV MEHANIZMA ZA NASTAVLJANJE VIŠINE REZANJA TRAVE**
7. **DOSTOPNA TOČKA - ZA ODPIRANJE POKROVA MEHANIZMA ZA NASTAVLJANJE VIŠINE REZANJA TRAVE**
8. **GUMB ZA IZKLOP**
9. **OKNO TIPKOVNICE**
10. **PODNOŽJE Landroid®L**
11. **ZADNJE POGONSKO KOLO**
12. **SENZOR ZA DEŽ**
13. **ROČAJ**
14. **GLAVNO OGIŠJE - VSEBUJE MOTOR, ELEKTRONIKO IN AKUMULATOR.**
15. **AKUMULATOR**
16. **REZALNI KOLUT**
17. **REZILO**
18. **SPREDNJE KOLO**
19. **TIPKOVNICA**
20. **ZASLON**
21. **TIPKA ON/OFF (VKLOP/IZKLOP)**
22. **NAPAVALNI ADAPTER**
23. **ŽICA ZA OMEJITEV**
24. **KLINI ZA ŽICO**
25. **KLINI ZA PRITRDITEV BAZE ZA POLNJENJE**
26. **MERILNIK RAZDALJE OD MEJE KOŠNJE**
27. **ŠEST ROBI KLJUČ**

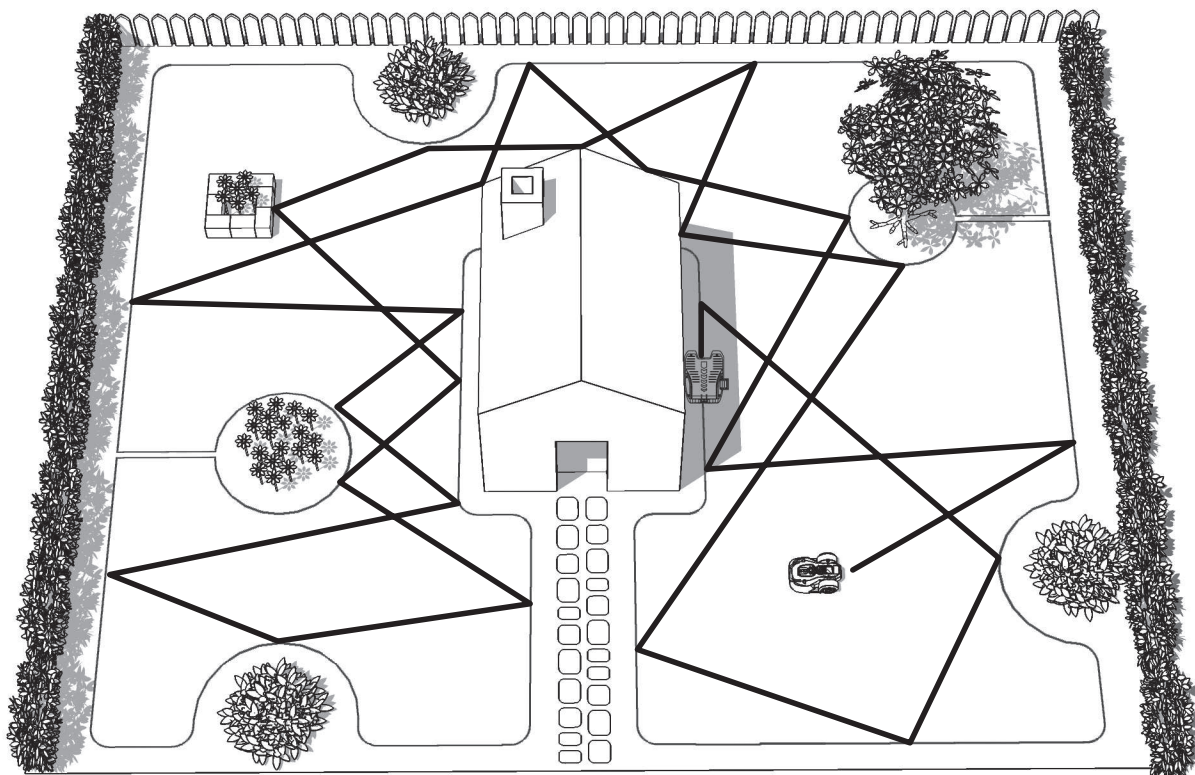
3. Predstavitev naprave Landroid® L

Zahvaljujemo se vam za nakup naprave Landroid® L in začetek brezskrbnega samodejnega košenja vaše zelenice. V nadaljevanju vas želimo seznaniti z načinom delovanja vaše nove naprave Landroid® L.



3.1 Kako moj Landroid® L ve, kaj mora kositi?

Landroid® L smer premikanja izbira naključno. Vedno bo poskrbel, da bo vaša zelenica enakomerno pokošena, brez, da bi za seboj puščal nepokošene dele (glejte sliko A).



A

3.2 Kako moj Landroid®L ve, kam mora iti?

Vaš Landroid®L lahko vse uredi po svoje. Landroid®L natančno ve, kdaj se mora vrniti v bazo za polnjenje (3), lahko zazna, kdaj dežuje in se samodejno ustavi, če zazna težavo ali se obrne, če trči ob trdno oviro, ki mu je na poti, recimo človeka, žival oziroma drug predmet. Rezalni kolut (16) se bo takoj, ko boste napravo Landroid®L dvignili od tal samodejno zaustavil in tako preprečil nesrečo.

A. Iskanje baze za polnjenje

Ko se vaš Landroid®L izprazni in ga je treba napolniti, bo prenehal kositi in se bo ob žici za omejitev (23) vrnil v bazo za polnjenje. Landroid®L je vnaprej programiran za enkrat tedensko košnjo trave znotraj predela, ki ste ga omejili z žico za omejitev. Če želite spremeniti te nastavitve, odprite okno tipkovnice, pritisnite gumb za domov in zaprite okno tipkovnice. Landroid®L bo prenehal s košnjo, poiskal žico za omejitev ter ob njej kosil travo in se premikal proti postaji za polnjenje. Priporočamo, da to funkcijo uporabite, če je napolnjenost akumulatorja več kot 75 %. Napolnjenost akumulatorja je prikazana na zaslonu.

B. Senzor za dež

Landroid®L ima ob strani senzor za dež (12), ki zazna, če dežuje in sporoči napravi Landroid®L naj preneha s košnjo, ter se ob žici za omejitev vrne v bazo za polnjenje (glejte sliko B).


Landroid®L lahko programirate tako, da se tedaj ko dežuje zažene z zakasnitvijo (0 – 180 min). Če so senzorji za dež mokri, se Landroid®L vrne v bazo za polnjenje. Šele, ko se senzorji za dež popolnoma posušijo, bo Landroid®L začel odšteti nastavljeni čas zakasnitve in začel ponovno kositi. Za več informacij si oglejte Vodič za programiranje in odpravljanje napak

C. Zaznavanje žice za omejitev

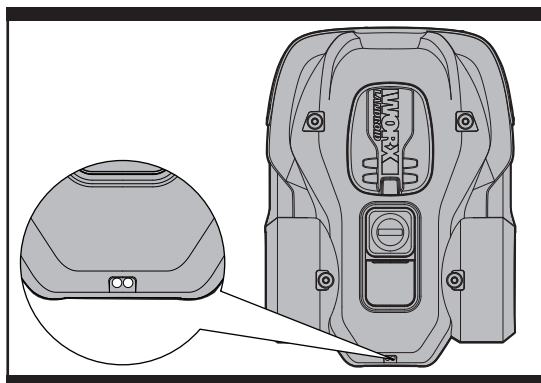
Landroid®L vedno sledi žici za omejitev, kar mu omogoča senzor na sprednjem delu, ki zaznava, kdaj se naprava približuje žici za omejitev (Glejte sliko C). Pred menjavo smeri bo Landroid®L zapeljal preko žice za omejitev za približno 25 cm*.

* To je priporočena razdalja. Za ustrezno namestitvev uporabite priporočeni merilnik razdalje.

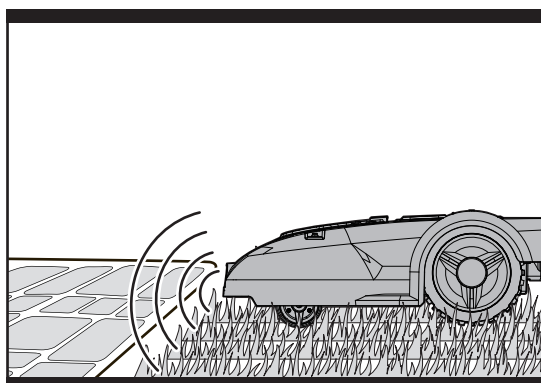
D. Zaganjanje in zaustavljanje med košnjo

Če želite, da se Landroid®L med košnjo zaustavi, enostavno pritisnite gumb STOP (8) na zgornji strani naprave. Naprava ne bo začela kositi dokler ne boste pritisnili  in zaprli okna tipkovnice (glejte slike D,E)

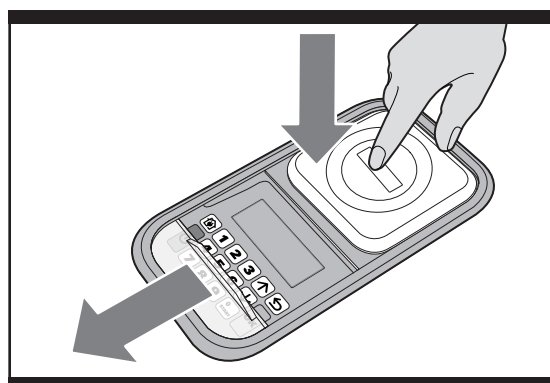
Če Landroid®L zazna napako, bo na zaslonu (20) prikazal sporočilo o napaki in se bo samodejno izklopil, če 20 min ne bo prejel nobenega dodatnega ukaza (razlago sporočil o napakah si lahko ogledate Vodič za programiranje in odpravljanje napak).



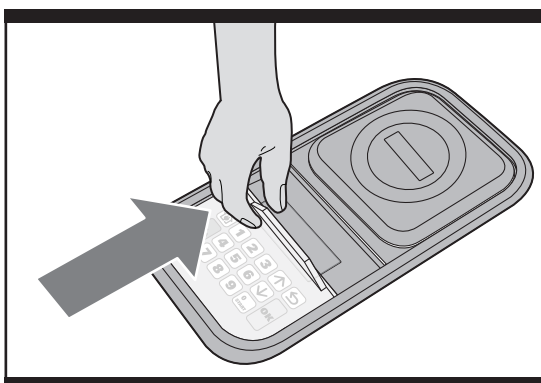
B



C





D





E

Povzetek:

Prvi primer: STOP – Samodejna zaustavitev po 20 min

- Pritisnite gumb STOP
- Odprite okno tipkovnice
- Vključite tipko VKLOP/IZKLOP (21)
- Pritisnite tipko , za odpravljanje napak
- Ponovno pritisnite tipko  in zaprite okno tipkovnice
- Landroid®L bo začel s košnjo!

Drugi primer: STOP – Brez samodejnega izklopa

- Pritisnite gumb STOP
- Odprite okno tipkovnice
- Pritisnite tipko , za odpravljanje napak
- Ponovno pritisnite tipko  in zaprite okno tipkovnice
- Landroid®L bo začel s košnjo!

3.3 Kako veliko območje lahko kosi moj Landroid®L?

Vaš Landroid®L lahko kosi območja različnih velikosti, upoštevajoč, da na velikost območja lahko vplivajo tudi drugi dejavniki:

- Vrsta trave, in hitrost njene rasti
- Ostrina rezil (17)
- Vlažnost
- Temperatura okolice
- Število ovir, ki jih mora robotska kosilnica zaobiti

Če je temperatura okolice visoka, bo morda Landroid®L kosil malce počasneje. Landroid®L porabi veliko manj energije, če kosi na odprtih območjih brez ovir, kot so cvetlične gredice, fontane, sprehajalne poti itd...

Privzete čase košnje naprave Landroid®L lahko poiščete v vodiču za programiranje.

Časi košnje so za vsako zelenico lahko drugačni, saj nanje vpliva več dejavnikov. Čase košnje lahko nastavljate postopoma, pri čemer Landroid®L uporabljate pogosteje in tako ugotovite najustreznejšo nastavitve.

Čas košnje naprave Landroid®L lahko prilagodite glede na vaše zahteve – pomagajte si z vodičem za programiranje.

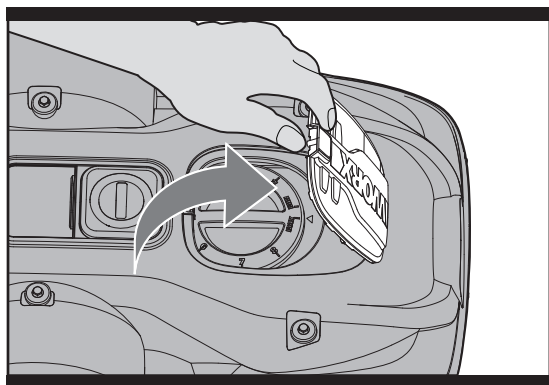
3.4 Kako učinkovito bo moj Landroid®L pokosil travo?

Landroid®L ovo višino rezanja lahko nastavite med 2 cm in 6 cm. Pred prvim zagonom Landroid®L priporočamo, da pokosite travo na višino 9 cm. Nato preverite, če ste odpri POKROV MEHANIZMA ZA NASTAVLJANJE VIŠINE REZANJA (6) in nastavili višino rezanja na maksimalno vrednost, 6 cm (Glejte slike F in G).

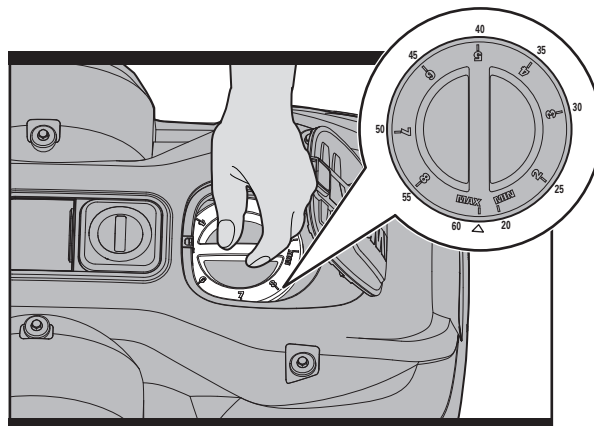
Vaš Landroid®L bo bolje rezal v suhem vremenu. Če je trava mokra, se slednja lahko zagozdi med rezalni kolut (16) in motor in lahko onemogoči pogon oziroma povzroči spodsavanje med delovanjem.

Vaš Landroid®L ne mara neviht z bliski. Če je nevihta z grmenjem zaščitite Landroid®L tako, da ga odklopite iz baze za polnjenje (3), nato odklopite žico za omejitev (23) in se prepričajte, če se Landroid®L res ne more polniti.

Vaš Landroid®L z veseljem kosi travo, zato morajo biti njegova rezila (17) v dobrem stanju. Landroid®L lahko večino stvari



F



G

opravi sam, občasno pa mu boste morali malce pomagati.

- Nikoli ne dovolite, da bi Landroid®L peljal preko peska.
- Odstranite ali preprečite dostop do ovir, na katera bi Landroid®L lahko po pomoti zapeljal in poškodoval rezalne kolute
- Odstranite vse ostanke in tujke, ki so na vaši zelenici.

4. MOBILNI DALJINSKI UPRAVLJALNIK (le pri določenih modelih, preverite tehnične podatke in izjavo o skladnosti)

Vaš Landroid®L lahko povežete s pametnim telefonom. Vse splošne nastavitve lahko nastavite preko vašega telefona. Na telefonu si lahko ogledate tudi trenutno stanje delovanja, tudi napake. Za podrobnosti glede nastavitve, si oglejte Landroid®L Wifi Connection Guide (Landroid®L ov vodič za vzpostavitev WiFi povezave).

5. Osnovne informacije glede žice za omejitev

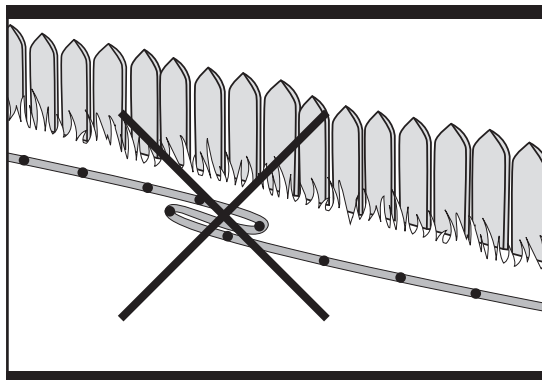
5.1 Pritrditev žice za omejitev

S pomočjo merilnika oddaljenosti (26) nastavite ustrezno razdaljo od robu zelenice (več kot 45cm *).

* To je priporočena razdalja. Za ustrezno namestitev uporabite priporočeni merilnik razdalje.

Če tudi vaš sosed uporablja Landroid®L, morate zagotoviti vsaj 0.5 m razdalje med vašo in sosedovo žico za omejitev.

Žica za omejitev mora potekati natančno po meji košnje. Vaš Landroid®L se lahko zaradi odvečne žice, ki ne omejuje območja košnje zmede (Glejte sliko H). Če vam pri omejevanju območja košnje ostane žica, jo odrežite in shranite na varno mesto. Vsekakor je pomembno, da nekaj žice pustite zaradi pravilnega pritrjevanja na bazo za polnjenje.



H

135

5.2 Zakopavanje žice za omejitev

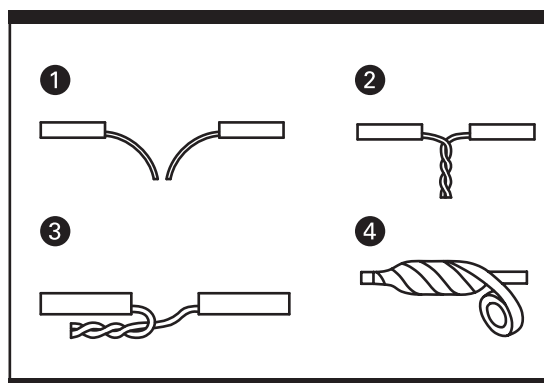
Če nameravate zakopati žico za omejevanje lahko upoštevate, da bo pri vstopanju v bazo za polnjenje vaš Landroid®L imel nekaj težav glede usmeritve. Priporočamo tudi, da najprej pritrdite žico za omejitev s klini, nato pa po potrebi opravite morebitne prilagoditve. To bo zagotovilo, da bo Landroid®L natančno odčitaval mejo košnje in zanesljivo deloval v svojem novem okolju in se odzival na žico tako dobro, kot se je, ko še ni bila zakopana.

Ko do konca namestite žico za omejitev, priporočamo, da napravo Landroid®L postavite na določeno mesto in priklopite gumb "home" (domov) in spremljate kako se vrača proti postaji za polnjenje.

Med opazovanjem naprave Landroid®L, ki se premika proti postaji za polnjenje lahko opravite določene prilagoditve postavitve žice za omejitev ter tako zagotovite čimbolj gladko pot naprave Landroid®L pri iskanju postaje za polnjenje.

5.3 Spajanje žice za omejitev

Žico za omejitev (23) lahko poljubno podaljšate tako, da njena konca spojite z drugo žico. Preko spojev lahko tudi ovijete izolirni lepilni trak. (Glejte sliko I)



I

6. Posodobitev programske opreme

Programsko opremo za Landroid®L lahko posodobite vsakič, ko je na voljo nova različica. Različica programske opreme se bo prikazala na strani z diagnostiko, če boste na domači strani pritisnili gumb 2. Najnovejšo različico programske opreme si lahko prenesete z naše spletne strani www.worxlandroid.com. Podrobna navodila o prenosu si lahko ogledate na Navodilo v okencu je osnovano na privzeti različici programske opreme. Možno je, da nekatere nove funkcije najnovejših različic ne bodo vsebovane v navodilih. Če opazite, da katera od nastavitev ni vsebovana v navodilih, obiškite www.worxlandroid.com in si prenesite najnovejša navodila.

7. Vzdrževanje

Landroid®L morate občasno pregledati. Landroid®L deluje s polno močjo in vsake toliko časa ga morate očistiti in zamenjati morebitne obrabljene dele. V nadaljevanju vas želimo seznaniti s postopki vzdrževanja in nege vašega Landroid®L.

7.1 Skrbite, da bodo rezila vedno ostra

! **OPOZORILO: Pred čiščenjem, nastavljanjem ali menjavo rezil, obvezno IZKLOPITE Landroid®L in si nadenite zaščitne rokavice.**

! **OPOZORILO! Pri nameščanju novih rezil, poskrbite, da boste hkrati zamenjali VSA rezila. Pri pritrjevanju rezil, obvezno uporabite nove vijake. Le na ta način bodo rezila resnično ustrezno pritrjena. Če ne bosta uporabili novih vijakov, to lahko privede do resnih poškodb.**

Landroid®L ne reže trave na način, kot jo režejo ostale kosilnice.

Njegova rezila (17) so na vseh 4 robovih ostra kot britev in se vrtijo v obeh smereh in tako zagotavljajo maksimalno kapaciteto rezanja (Glejte sliko J). Rezila vašega Landroid®L imajo 4 rezalne robove.

Glede na pogostost košnje, morate rezila vašega Landroid®L po potrebi obrniti, in omogočiti rezanje tudi na drugih robovih. Če ste vašo napravo Landroid®L programirali za vsakodnevno košnjo, priporočamo, da za doseganje najboljših rezultatov obrnete rezila enkrat mesečno. Pri vsakodnevni košnji, lahko z enim robom rezila kosite travo približno 4 mesece. Ko se obrabijo vsi robovi rezila, slednja zamenjajte z rezervnimi, ki so priložena v paketu Landroid®L. Nadomestna rezila lahko kupite pri vašem najbližjem trgovcu WORX.

A. Obračanje rezil

Vaš Landroid®L ima rezila, ki so privita na rezalni kolut (16). Rezila so najpomembnejši del, ki ga Landroid®L rabi za kakovostno košnjo, zato jih morate skrbno negovati. Priporočamo da vsake toliko časa obrnete vsa rezila in zagotovite kakovostno rezanje. Pri obračanju rezil, pazite, da boste vsa rezila nastavili hkrati, sicer ne bodo uravnotežena. Če vaš Landroid®L kosi po običajnem urniku (dnevno) naj bi rezila zdržala eno sezono, upoštevajoč, da enkrat mesečno obrnete rezila. Redno preverjajte, če rezila ne postajajo okrušena ali poškodovana in jih v teh primerih takoj zamenjajte.

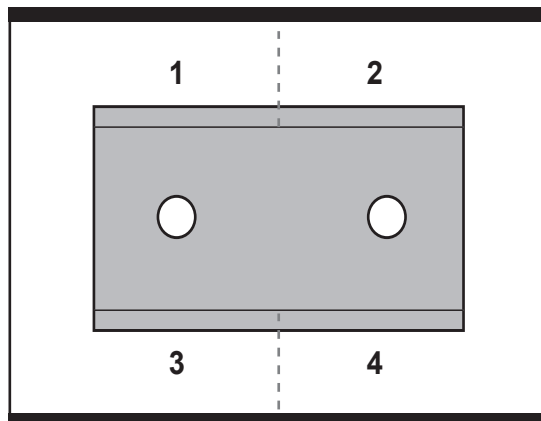
B. Menjava rezil (glejte sliko K)

Po preteku nekaj časa, običajno enkrat na sezono, boste morali rezila Landroid®L a zamenjati z novimi. Vaš Landroid®L ne kosi brezhibno, če ima nameščena rezila, ki so različno stara in različne kakovosti. Zato pri menjavi rezil poskrbite, da boste zamenjali vsa rezila hkrati. Lahko jih zamenjate z rezervnimi, ter hkrati uporabite tudi rezerve vijake, ki so bili priloženi vaši napravi Landroid®L.

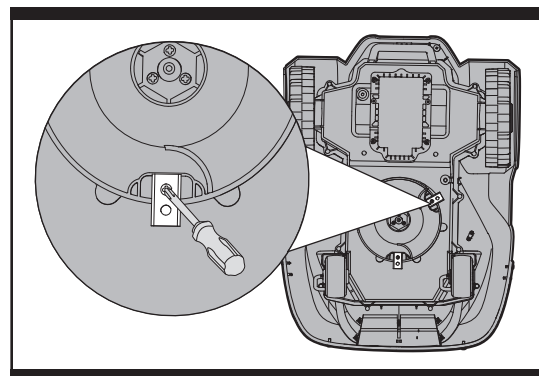
Pred menjavo rezil Landroid®L izklopite napravo in si nadenite zaščitne rokavice. Nato sledite tem korakom:

1. Nežno obrnite Landroid®L okoli
2. Odprite pokrov akumulatorja in slednjega odstranite iz ležišča.
3. S križnim izvijačem odvijte vijake rezil.
4. Trdno privijte nova rezila
5. Akumulator vstavite v ležišče in zaprite pokrov.

POMEMBNO: Ko privijte rezila na kolut, preverite, če se slednji prosto vrti.



J



K

7.2 Skrbite, da bo naprava vedno čista

! **OPOZORILO!** Pred čiščenjem **IZKLOPITE** Landroid®L. Pred čiščenjem rezalnega koluta (16) si nadenite zaščitne rokavice in nikoli ne uporabljajte tekoče vode. (glejte sliko L)

A. Čiščenje ohišja

Vaš robot bo deloval boljše in dlje, če ga boste redno čistili. Ker je vaš Landroid®L električna naprava, morate paziti pri njegove čiščenju, zato za čiščenje **NIKOLI** ne uporabljajte cevi za zalivanje vrta, niti na noben drug način ne polivajte vode po vaši napravi Landroid®L, priporočamo, da za čiščenje uporabljate razpršilko, ki ste jo napolnili z vodo. Pri čiščenju ohišja uporabite mehko ščetko ali čisto krpo, ne priporočamo pa, da uporabljate raztopine ali sredstva za poliranje (Glejte sliko L). Pri čiščenju tudi poskrbite, da boste odstranili vso nakopičeno travo in nečistoče.

B. Čiščenje spodnjega dela

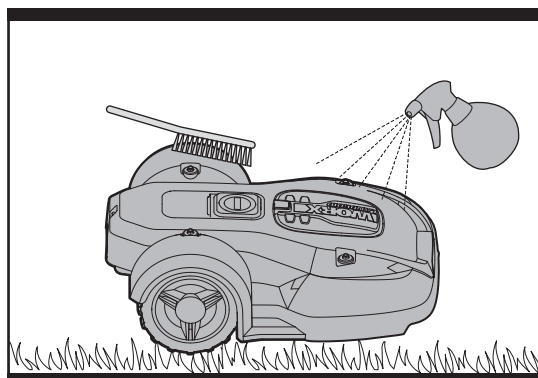
Ponovno poudarjamo, da morate pred dotikanjem rezalnega koluta (16) obvezno **IZKLOPITI** Landroid®L preko guba ON/Off (VKLOP/IZKLOP) in si nadeti zaščitne rokavice.

Najprej obrnite napravo Landroid®L okoli, da boste lahko dostopali do spodnjega dela. Videli boste rezalni kolot, GLAVNO OGIŠJE(14), sprednje kolo(18) ter pogonsko kolo (11). Z mehko ščetko ali vlažno krpo temeljito očistite celotno napravo. Zavrtite rezalni kolot in preverite, če se prosto vrti. Preverite, če se rezila prosto vrtijo preko pritrdilnih vijakov. Odstranite morebitne ovire.

POMEMBNO: Odstranite morebitne nečistoče, ki bi lahko povzročile okvaro rezalnega koluta. Tudi najmanjša razpoka že lahko povzroči, da vaš Landroid®L ne bo več učinkovito kosil.

C. Čiščenje kontaktnih priklopov in trakov napajalnika

S krpo očistite kontaktni priklop (2) na bazi za polnjenje (3) in trak napajalnika (5) na Landroid®L. Občasno odstranite nakopičeno travo in nečistoče, ki so se nabrale na kontaktnih priklopih in trakovih napajalnika in tako zagotovite, da se bo Landroid®L uspešno polnil.



L

7.3 Življenjska doba akumulatorja

Srce vaše naprave Landroid®L je 28 V li-ion akumulator. Ne rabi nobenega vzdrževanja. Za pravilno shranjevanje, ga popolnoma napolnite in shranite na suho in hladno mesto s temperaturo med 20 °C in 60 °C.

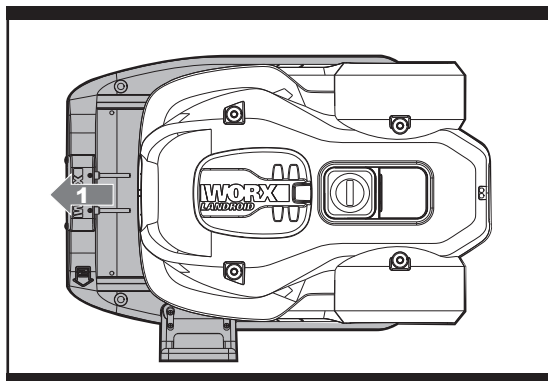
Življenjska doba Landroid®L ovega akumulatorja je odvisna od več dejavnikov, med drugim:

- Čas trajanja sezone košenja trave v vašem kraju.
- Dnevnim številom ur košnje
- Vzdrževanje akumulatorja med shranjevanjem

Landroid®L lahko polnite tudi ročno, brez priklopljene žice za omejitvev

Pri ročnem polnjenju akumulatorja brez priklopa žice za omejitvev v bazo za polnjenje;

1. Bazo za polnjenje priklopite v stabilno omrežje.



M1



M2

2. Ročno priklopite Landroid®L v bazo za polnjenje, medtem naj bo Landroid®L odklopljen. (glejte sliko M1).
3. Vkljopila se bo rdeča lučka baze za polnjenje.
4. Med polnjenjem bo na zaslonu prikazano 'charging' (polnjenje). (Glejte sliko M2), Landroid®L se bo pričel polniti.

7.4 Shranjevanje preko zime

Vaš Landroid®L bo deloval dlje in boljše, če ga boste preko zime ustrezno shranjevali. Čeprav je vaš Landroid®L čvrst in trpežen, vam priporočamo, da ga preko zime shranite v vrtno lopo ali v garažo.

Pred pripravo Landroid®L za zimsko mirovanje, priporočamo, da:

- Temeljito očistite Landroid®L
- Do konca napolnite akumulator
- Izključite električno napajanje

Če želite, da bi akumulator brezhibno deloval dolgo časa, vam priporočamo, da ga pred zimo do konca napolnite.

Žico za omejitev lahko pustite v zemlji, njena konca pa morate zaščititi s pločevinko in namastiti. Če bazo za polnjenje pustite zunaj preko zime, naj ostaneta konca žice za omejitev priklopljena.

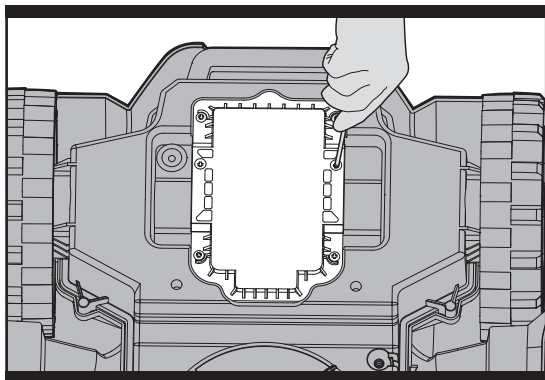
OPOMBA: Po zimskem shranjevanju napravo Landroid®L preverite, če so trakova napajalnika (5) in kontaktna priklopa (2) čisti, vsekakor pa vam priporočamo, da stične površine očistite s finim brusnim papirjem. Nato preverite nastavitve časa in datuma in pošljite napravo Landroid®L naj počne tisto, kar počne najraje: kosi travo.

7.5 Menjava akumulatorja.

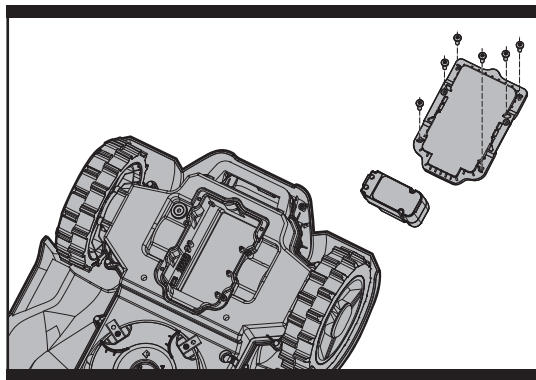
⚠ OPOZORILO: Pred nastavitvami, menjavo ali popravili pritisnite tipko ON/OFF (VKLOP/IZKLOP) v položaj OFF (IZKLOP).

Če morate zamenjati akumulator, sledite naslednjim korakom:

1. Pazljivo obrnite Landroid®L okoli.
2. Odvijte štiri vijake na akumulatorju (glejte sliko N)
3. Vzemite star akumulator iz ležišča (glejte sliko O)
4. Vstavite nov akumulator v ležišče
5. Trdno privijte vijake




N



O

Varovanje Okolja

 Rabljenih električnih izdelkov ne smete odlagati skupaj z ostalimi gospodinjskimi odpadki. Dostavite jih na mesto za ločeno zbiranje odpadkov. Če imate v zvezi s tem vprašanja, se posvetujte z lokalnimi oblastmi.



Copyright © 2015, Positec. All Rights Reserved.
AR01157100