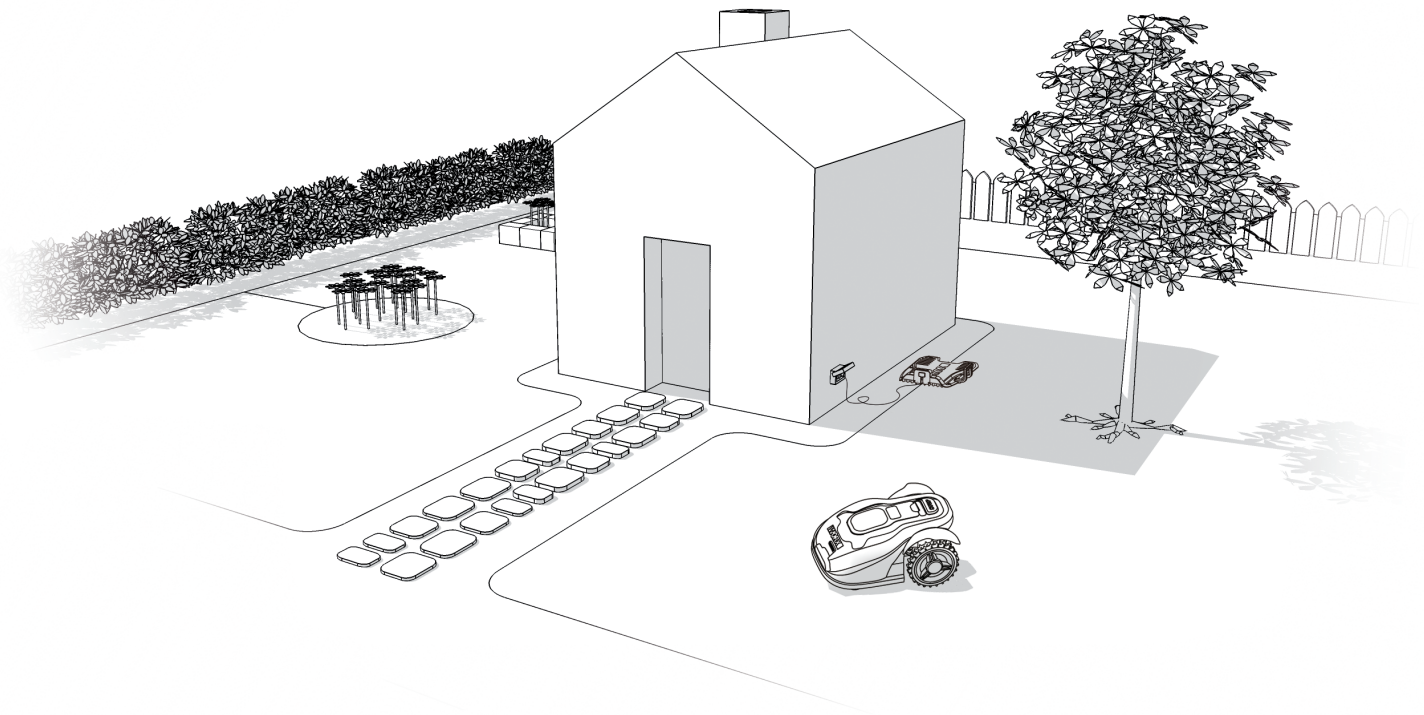




LANDROID[®] 
UNMANNED
MOWING
VEHICLE

INSTALLATION
GUIDE





How to install your Landroid®M

The installation of the Landroid®M is easy. Depending on the size of your garden, the entire process only takes a short amount of time. If you are like us, you hate wasting your time to mow your lawn. The Landroid®M will prove to be a great investment, providing you with years of lawn care.

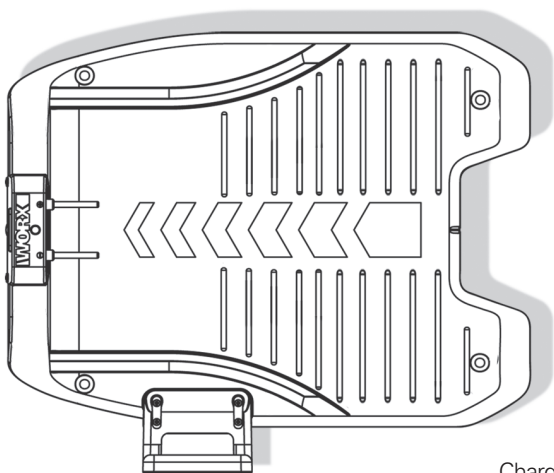
You can watch the installation demo video at www.worxlandroid.com.

The Landroid®M loves to mow

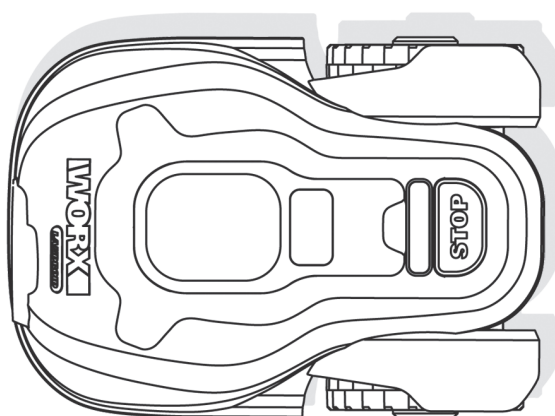
It is designed to mow often, maintaining a healthier and better looking lawn than ever before. Depending on the size of your lawn, the Landroid®M may be programmed to operate at any time or frequency with no restrictions. It is here to work for you.

Preparation

In the box



Charging base



Landroid®M



Base fixing nails



Spare blades



Boundary wire reel



Wire pegs



Power Adaptor



Owner's manual



Installation guide



Hex key



Distance gauge



Programming and trouble shooting guide



Warranty statement

From your shed



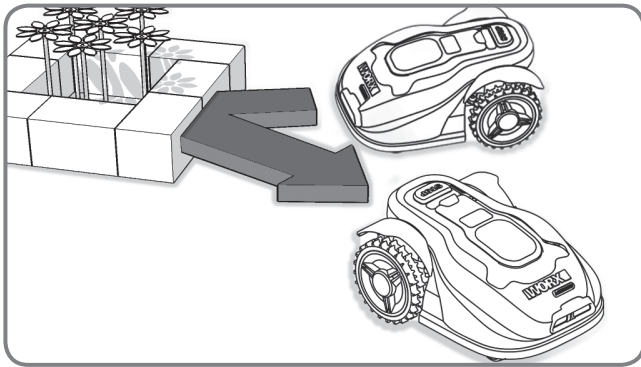
Scissors



Hammer

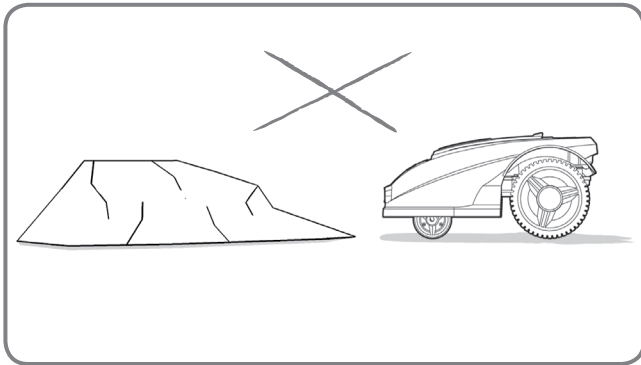
Landroid®M's new home—your garden

Let's start by having a closer look at Landroid®M's new home—your lawn—highlighting the areas where it can safely go and areas it's best for Landroid®M to avoid.



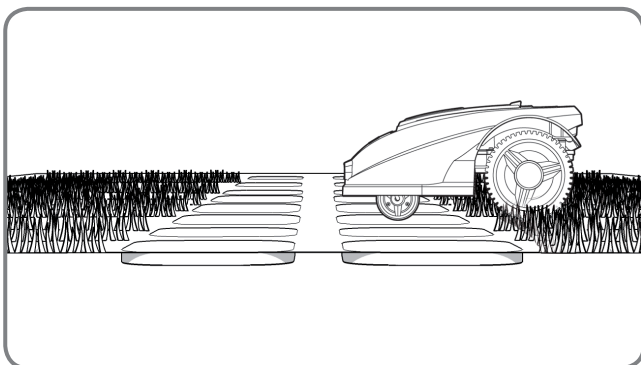
Obstacles that can be hit

When hitting any obstacle that's rigid, stable and taller than 15cm—such as a wall or a fence—your Landroid®M will simply stop and re-direct away from the obstacle.



Stones

Stones that are heavy enough not to be moved by your Landroid®M can be safely hit. However, if any stone has an inclined surface that your Landroid®M can climb, you should either remove it or exclude it from the working area.

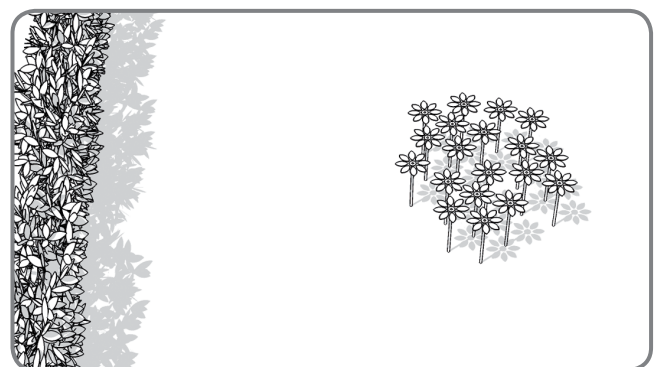
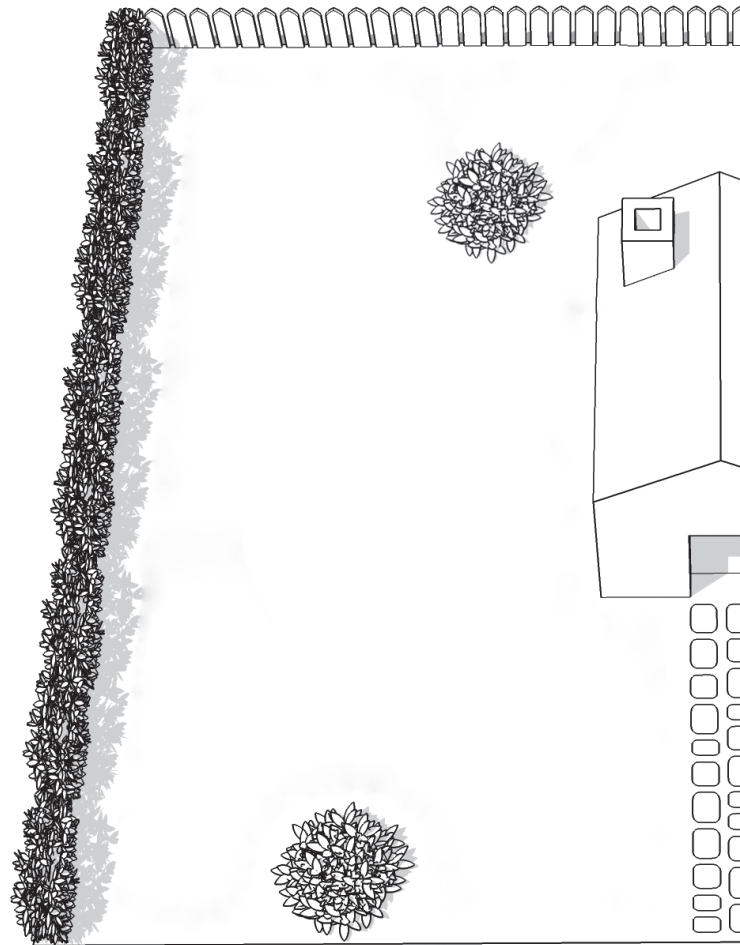


Driveways

If your driveway is level with your lawn, without any protruding surface, the Landroid®M can freely run over it. If you'd like the Landroid®M to avoid it, then only a 10cm* space between the Boundary Wire and the driveway is needed.

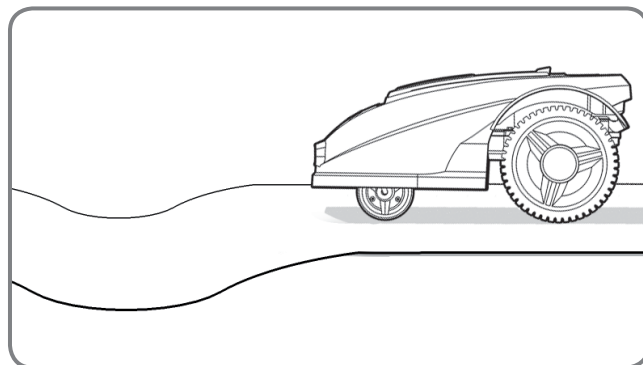
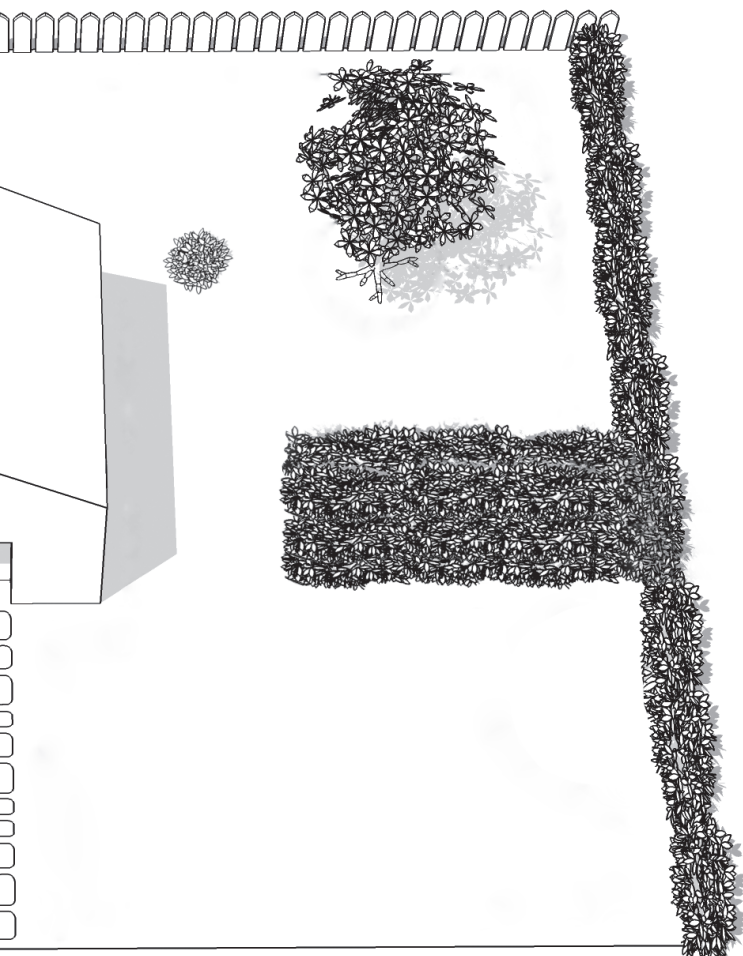
If it's covered with gravel, you should not allow the Landroid®M to travel over it, using the distance gauge for spacing in this case, keeping a 35cm* space between the boundary wire and the driveway.

*This is the recommended distance. Use the provided distance gauge to ensure proper installation.



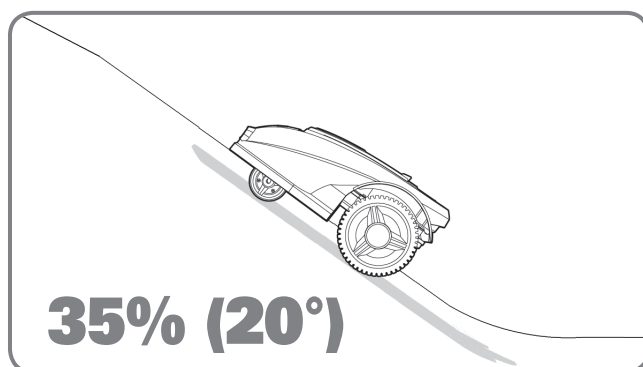
Flowerbeds, ponds, pools...

You certainly don't want your Landroid®M to mow your flowers, or fall into the water. These areas should be avoided.



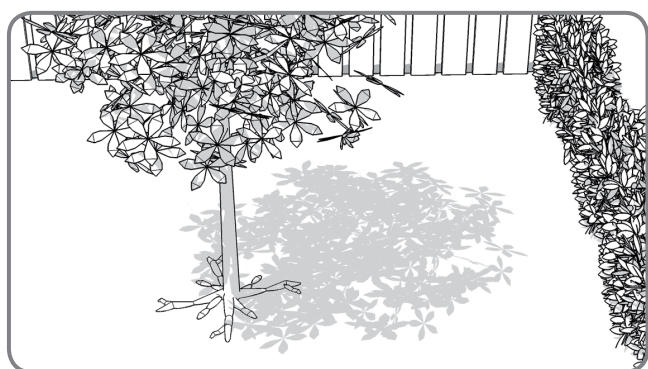
Depressions and bumps

In the case of large bumps or dips, please consider if the blades could touch the ground; if this is the case, either make the inclines smoother or exclude those areas from your Landroid®M's operation.



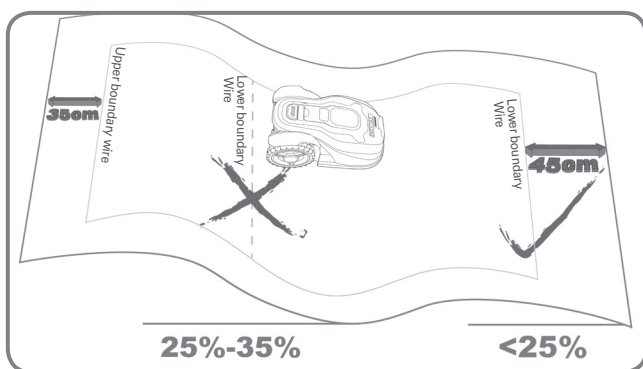
Slopes

Your Landroid®M has the ability to safely climb slopes up to 35% (20°), so just avoid anything steeper than this.



Trees

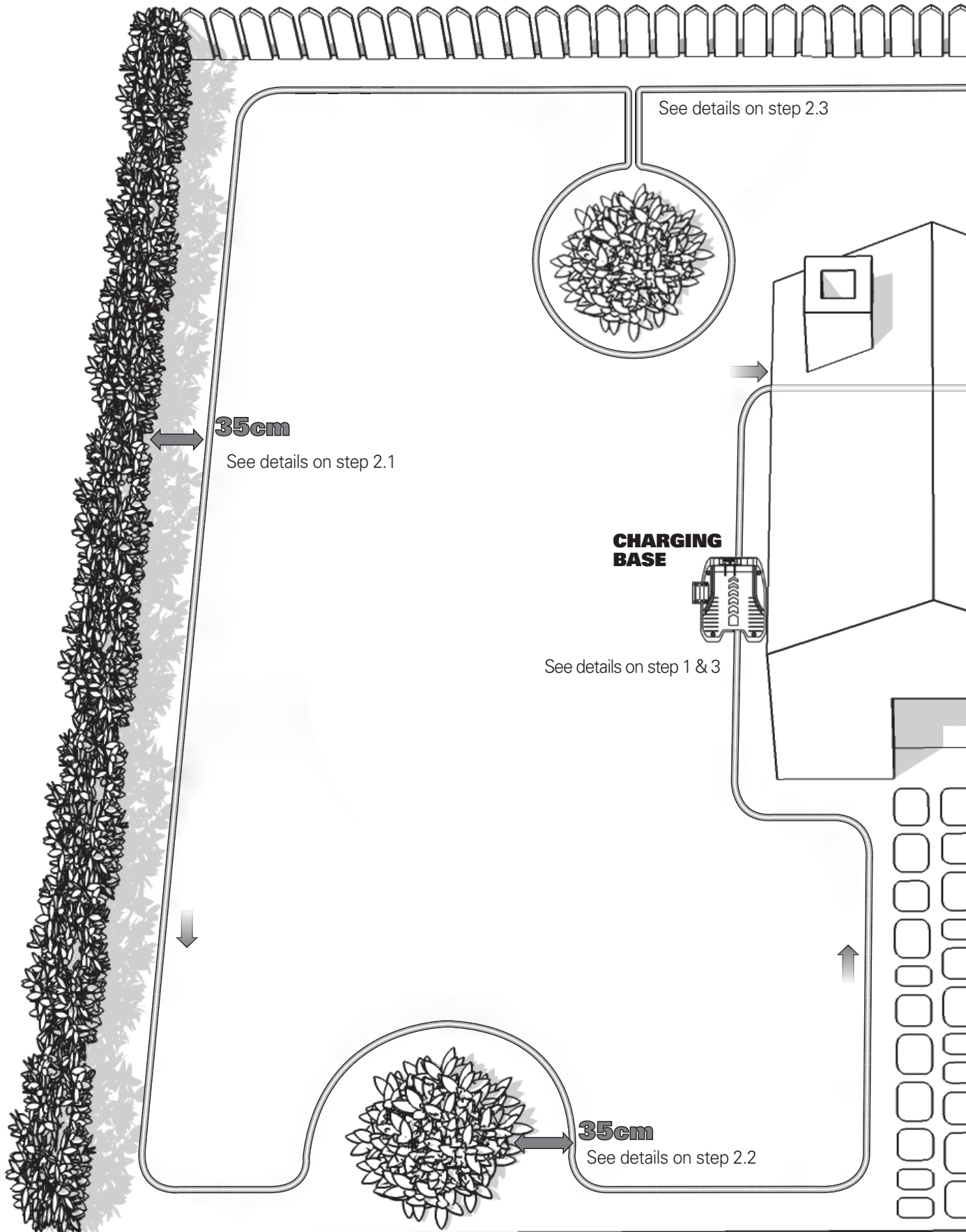
If there are roots emerging from the ground, these areas should be avoided in order not to damage the roots.

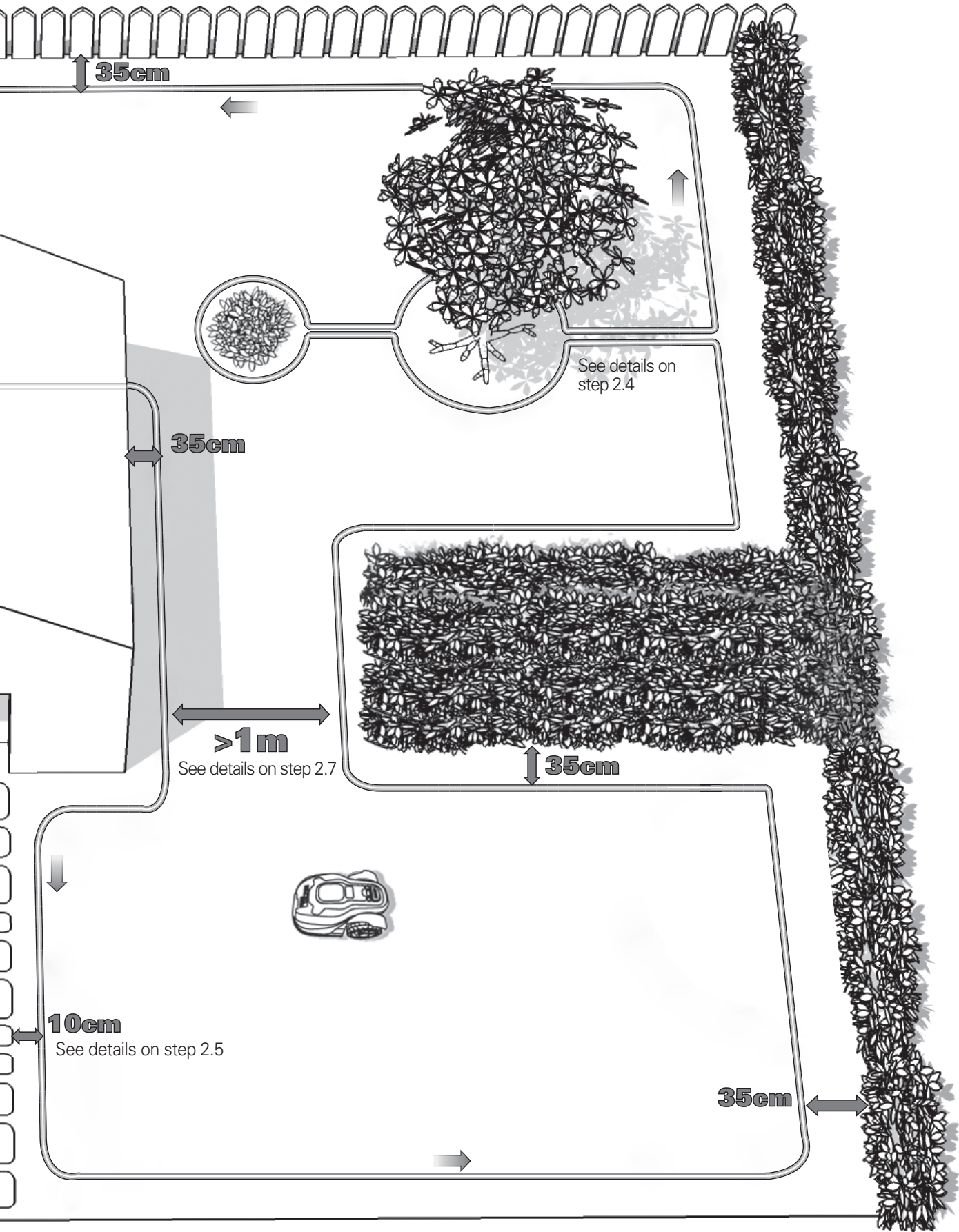


Placement of Boundary Wire on slopes

The Upper Boundary Wire should NOT be placed on slopes steeper than 35% (20°). The Upper Boundary Wire should have a distance of at least 35cm between any obstacles. The Lower Boundary Wire should NOT be placed on slopes steeper than 25% (15°). The Lower Boundary Wire should have a distance of at least 45cm between any obstacles when it is positioned on a slope that is 25%.

Installation





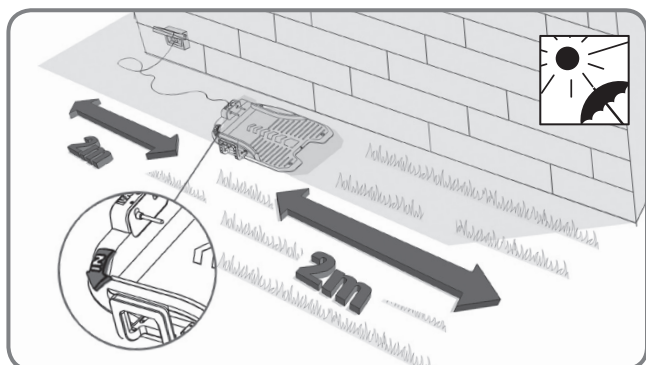
Your Landroid®M needs to know where to mow. This is why you have to mark its working area with a boundary wire that will form an invisible fence. This wire will also guide your Landroid®M to its charging base.

If your neighbor also uses a Landroid®M, then you must keep a space of at least 0.5 metres between your Boundary Wire and your neighbor's.

1. Placing the Charging Base

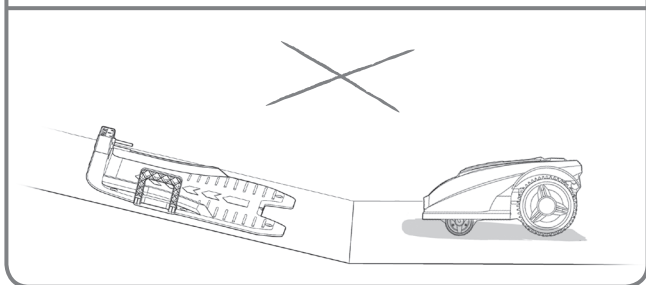
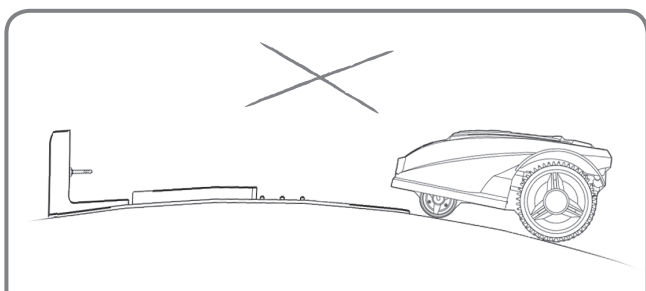
First of all, find a spot for the charging base, taking into account the position of your outdoor socket since the charging base only has a 15m power cord.

NOTE: Make sure the adaptor and the electrical socket are always kept in a dry area.



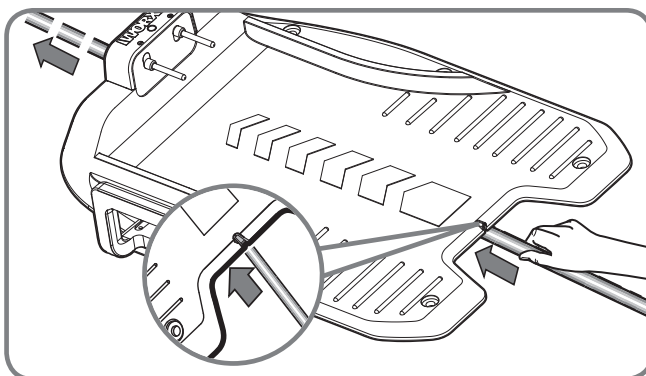
1.1

The charging base should be placed along a straight line, with the “**IN**” arrow pointing to the lawn. Allow 2m distance with no obstacles both front and back of the charging base. If possible, place the charging base in the shade, as batteries are better recharged in a cool place.



Make sure that your Landroid®M can run on a flat area, clear of any obstacles.

EN

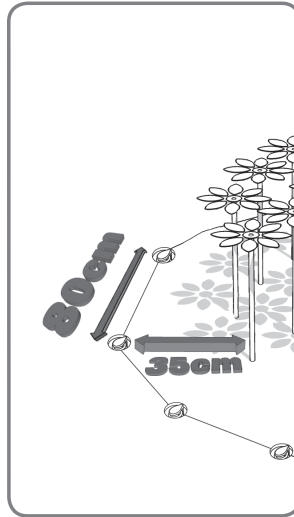
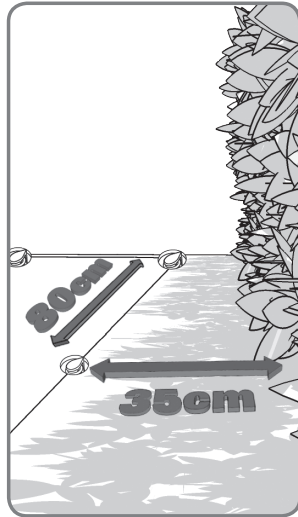
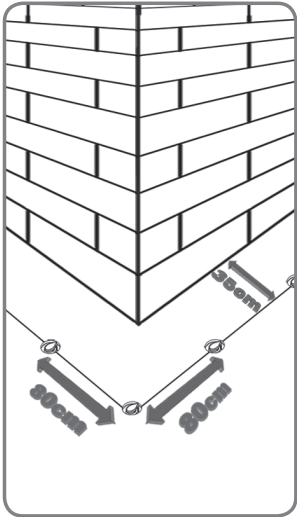


1.2

Feed the boundary wire through the tunnel underneath the charging base.

2. Pegging your boundary wire

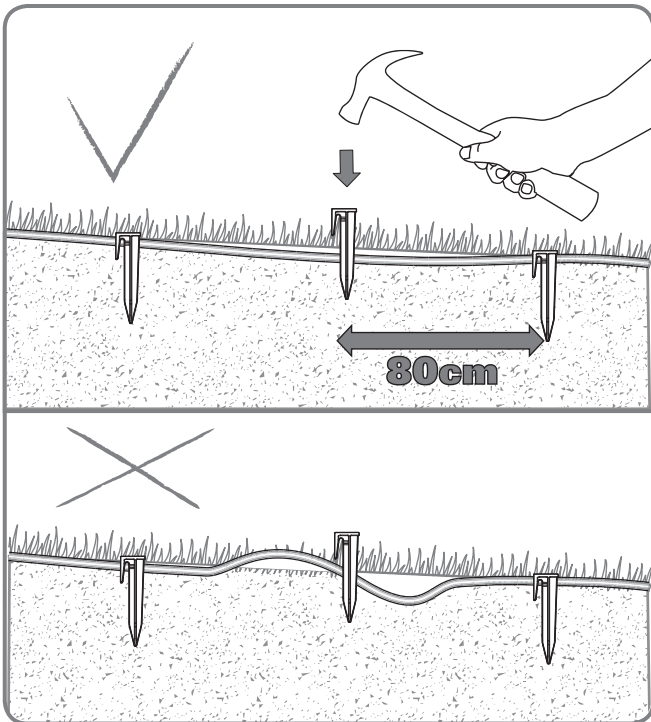
When pegging the boundary wire for the first time, it is recommended to use a normal lawn mower or a grass trimmer to cut the grass along the boundary. Then the wire can be laid as close as possible to the ground to prevent the Landroid®M accidentally cutting the wire. The boundary wire is powered with a very low voltage so that it is totally safe to people beings and pets.



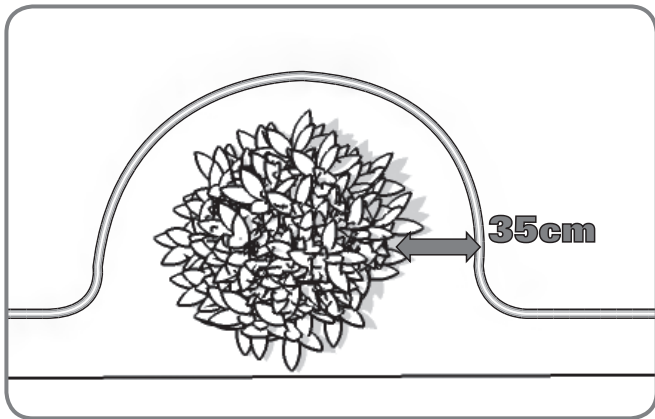
2.1

When laying the boundary wire, use the distance gauge to keep a 35cm* space between the wire and the boundary.

Each wire peg should be placed around 80cm apart. Use the provided distance gauge to ensure proper installation.

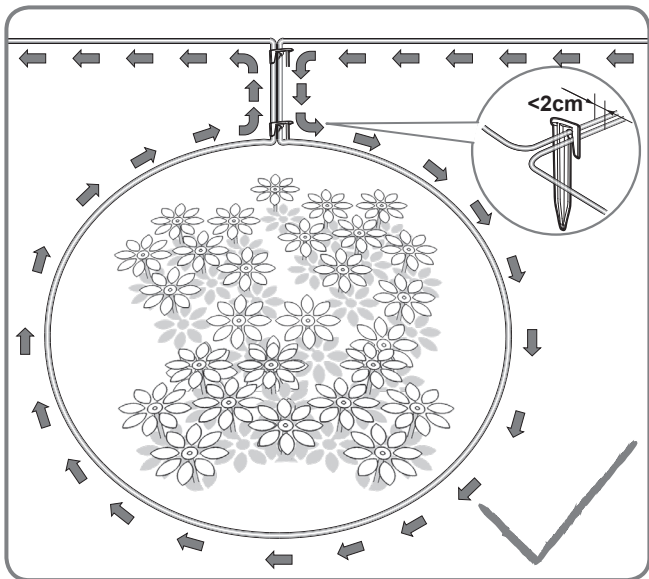


NOTE: Keep the boundary wire straight and tight between the pegs, there should be no slack wire between the pegs.



2.2

A feature, such as flowers or shrubs that are close to the mowing boundary, should be part of the boundary as shown in the picture.

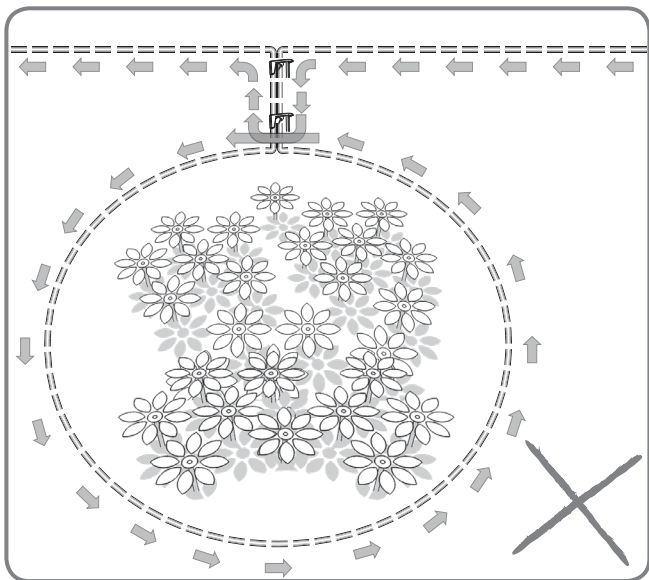


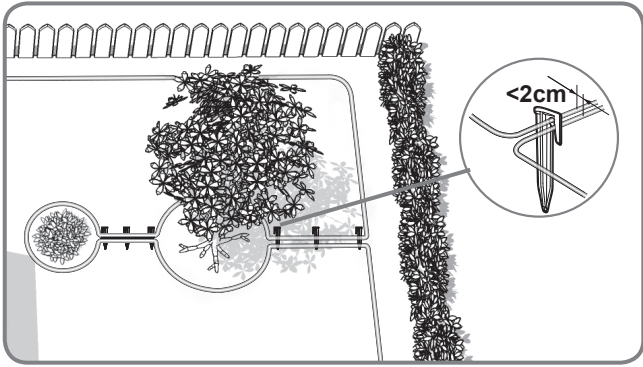
2.3

If there is an island that sits inside your lawn where you don't want Landroid®M to go, please follow the path as shown in the picture to peg your wire.

The wire should run from the perimeter to outline the defined island and then return back to the perimeter. The boundary wire between the island and perimeter should be laid close together and held in place by the same wire peg. During operation, the Landroid®M will be able to freely pass over this part of the wire.

EN

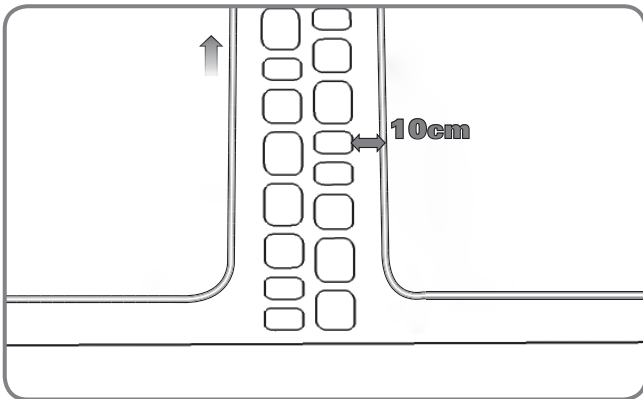




2.4

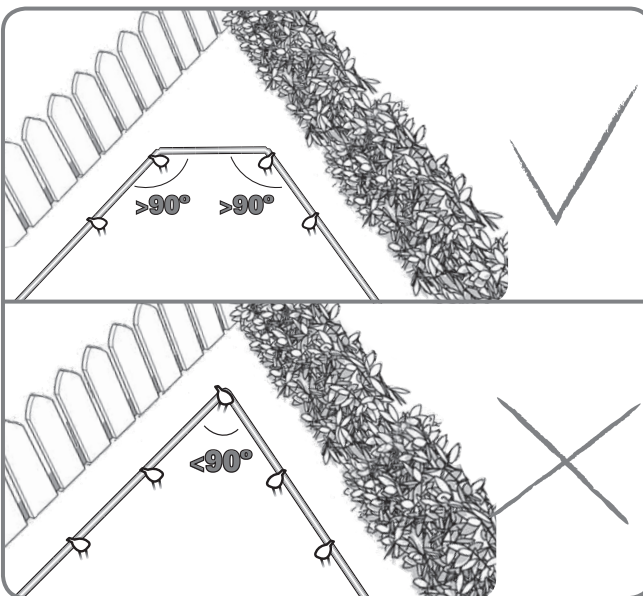
In the case of two islands that are close to each other, it would be convenient to lay out the wire as illustrated in the picture.

The Landroid®M can travel freely over the boundary wire in between the islands and the mowing boundary.



2.5

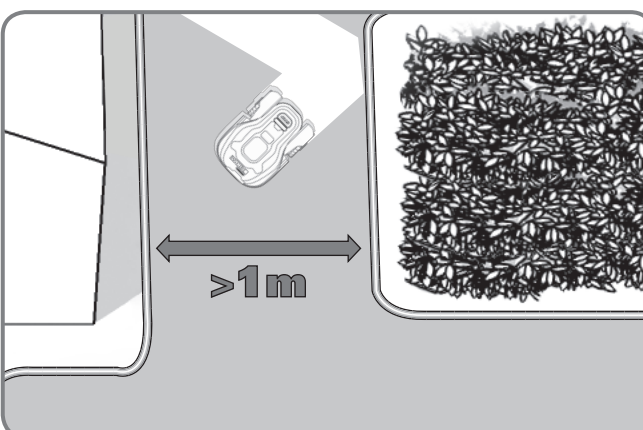
In the case of an obstacle that is level with ground and safe for the Landroid®M to run over, such as a driveway or path, then only a 10cm* space is needed.



2.6

Ensure the BoundaryWire is perfectly straight in each corner, and the angle of boundary wire is bigger than 90°.

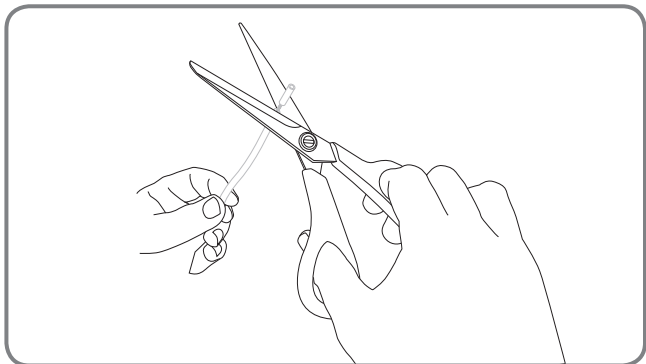
EN



2.7

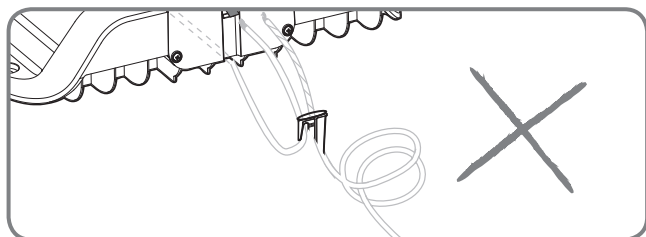
If your lawn has two or more separate areas connected to each other by a corridor, it should be at least 1 metre wide. If the corridor is too narrow, please pick your Landroid®M up and bring it to the other lawn. Landroid®M will mow this lawn without problem, but you have to bring it back to the charging base when the battery runs out.

3. Connect the base to the boundary wire

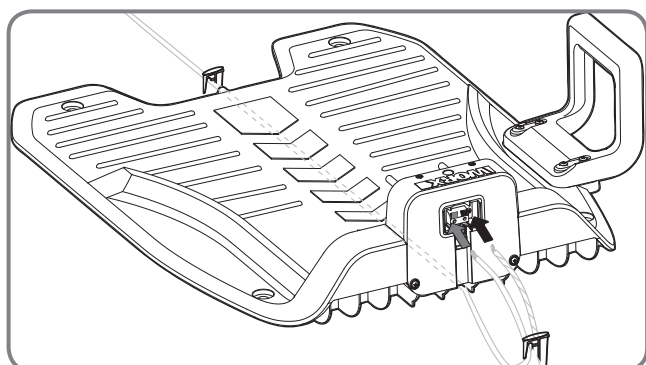


3.1

Cut the end of the wire to a length that's appropriate convenient for reaching the clamps.



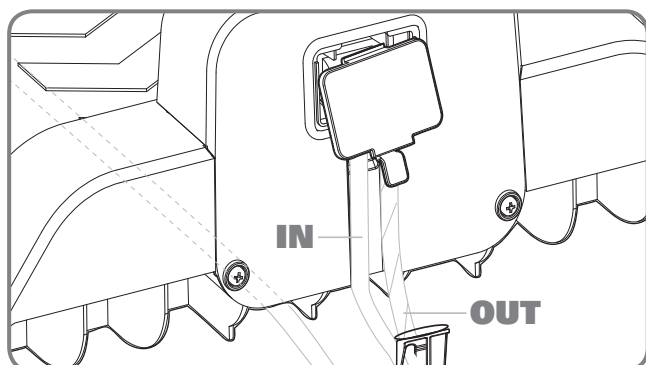
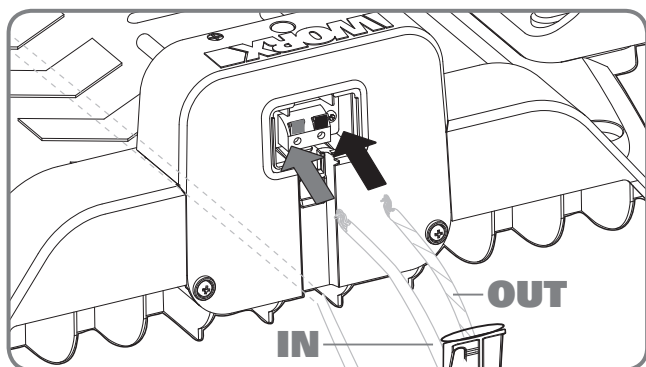
NOTE: Too long redundant wire may cause the signal problem. Strip the two ends of the wire.



3.2

When connecting to the charging base there is an IN wire and an OUT wire, as shown. Connect the IN-wire to the red clamp of the charging base and the OUT-wire to the black clamp. Then close the cover.

NOTE: Please fix the boundary wire around the charging base firmly with the wire pegs.



3.3

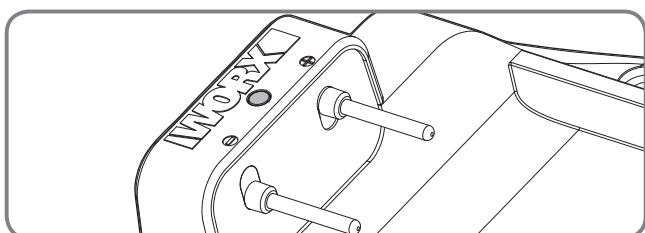
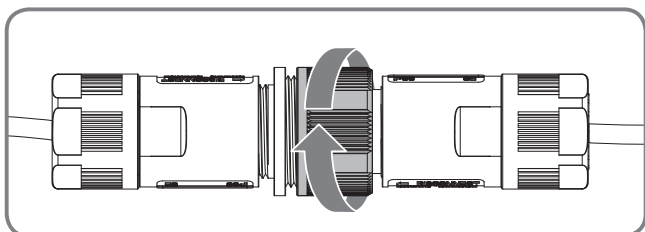
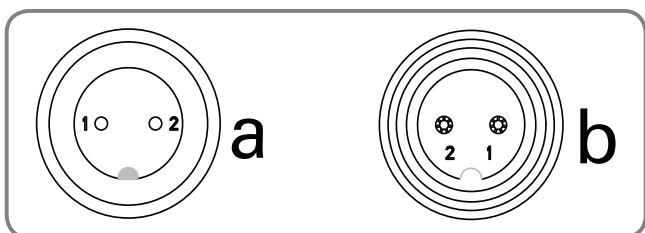
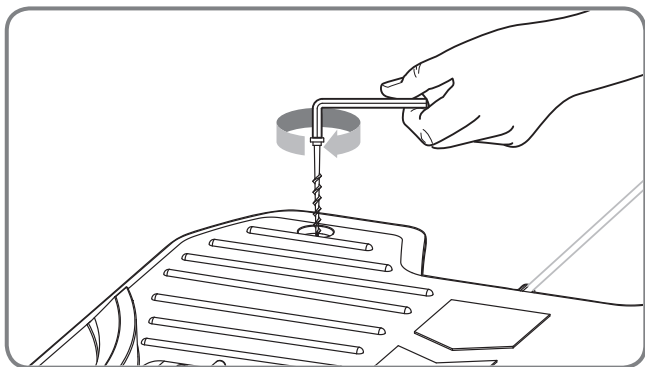
You can now permanently fix the charging base on the ground by pressing the supplied Base Retention Pegs with the supplied Hex key.

NOTE: Make sure the IN-wire is running straight underneath the center of the charging base.

3.4

Connect the power cord to the adaptor and then to the AC electrical socket, the LED on the charging base will turn on. When connecting, align the notch on the power cord connector (a) with the groove on the adaptor connector (b).

In case the power cord is within the working area, you may bury it as needed.

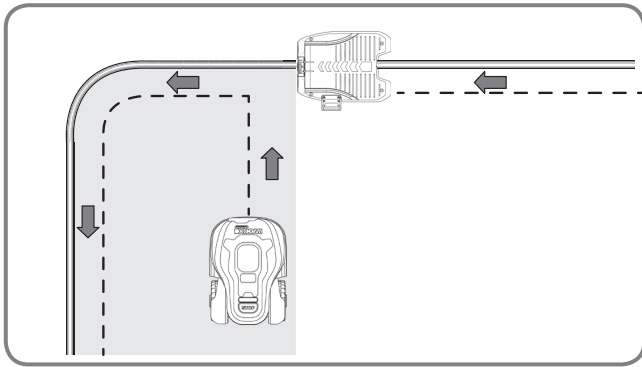


Check the LED status to make sure the connection is OK.

| LED light display | Status | Action |
|---|--|--|
| Green light on | Boundary wire is connected successfully; fully charged | / |
| Green light on, while "outside working area" shown in the screen at the same time | Boundary wire is connected in wrong direction. | Check and reverse two ends of boundary wire. |
| Green light flashing | Power supply is connected successfully, while the wire is connected unsuccessfully | Check and connect the wire again. |
| Red light on | Charging | / |

4. Turn on and test the installation

This is the exciting part where you can turn your Landroid®M on for the first time.

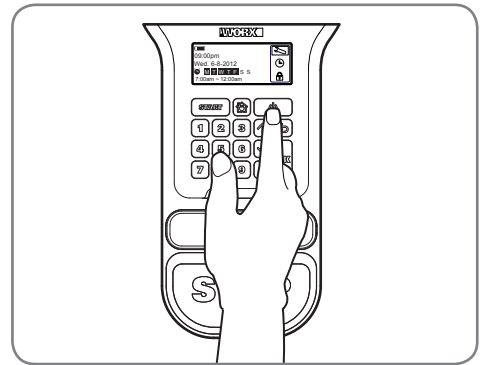
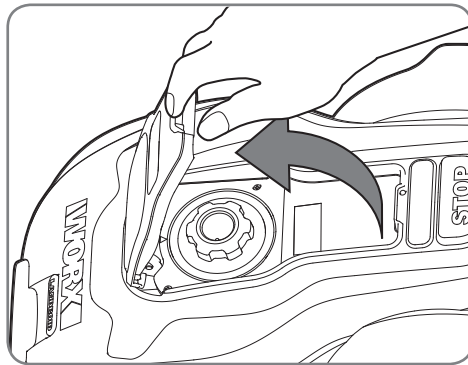



4.1

Place your Landroid®M inside the working area, a few meters from the back of the charging base.

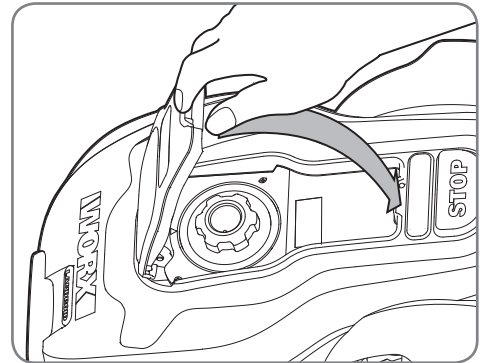
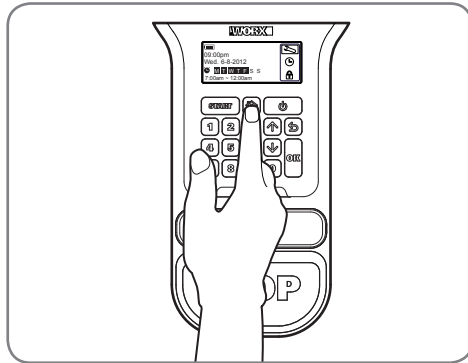
4.2

Open the panel cover, press power button, then input the default PIN 0000.



Press the  key and close the control panel cover: your Landroid®M will now

find its way to the charging base. Watch the Landroid®M as it returns to the charging base and modify the positioning of the boundary wire if necessary. When the Landroid®M successfully returns to the charging base, this means the installation has been successfully completed!



Now your Landroid®M will start to fully charge.



Warning

- If your Landroid®M is outside its territory, it will not move and the display will indicate "outside working area" error. Just move it inside its territory and repeat step 4.2
- If your Landroid®M is inside its territory but the display says "outside working area" and the LED is on, it means you clamped the boundary wire ends incorrectly. Just reverse them.
- Your Landroid®M should always remain switched on. If you ever need to turn it off, then make sure you place it within its boundary area before you switch it back on again.
- Should your Landroid®M stop operating unexpectedly, just press its ON/OFF key to ON, correct the problems, press Start button and close the cover.

NOTE: Please refer to the Programming and Troubleshooting Guide for more information.

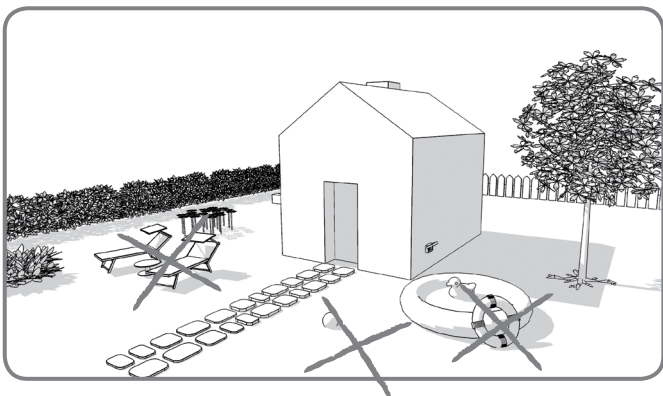
Programming

Having the installation finished, please refer to the Programming and Troubleshooting Guide included in the packaging to program the Landroid®M.

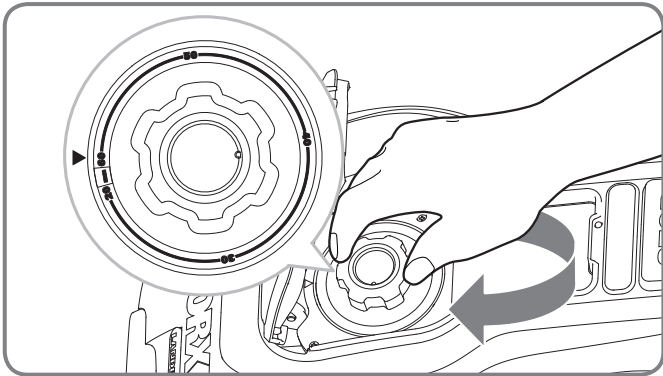
Ready to go?

The Landroid®M is designed for maintaining your grass at a perfect length during the season, but is not designed for deforesting a jungle. Before starting it for the first time,

1. You should mow your lawn to the desired height.
2. Make sure the operating area is clear of objects such as toys and branches...



3. Adjust the cutting height to its maximum level for the first mow and then adjust to your preferred lawn grass height.



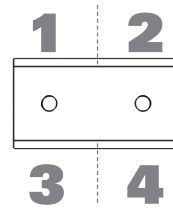
Next Spring, let your Landroid®M start mowing early, when the grass is still short, so that you can avoid a preliminary grass cut.

Keep it sharp



Always wear gloves when adjusting the blades.

The Landroid®M does not cut grass like other mowers. Its Blades are razor sharp on all 4 edges and spin in both directions for maximum cutting capacity. Each blade of your Landroid®M has 4 cutting edges. Depending on the frequency the Landroid®M mows your lawn, the cutting blades will need to be flipped/rotated periodically for a new cutting edge. If your Landroid®M is programmed to mow the lawn every day then the cutting blades will need to be rotated monthly for the best mowing results. Each cutting blade will last up to 4 months when it is programmed to mow every day. When the cutting blades are dull and worn out, they should be replaced with the spare blades provided with your Landroid®M. Spare blades are also available at your nearest WORX retailer.



Maintenance

Your Landroid®M is engineered and built to stay outdoors regardless of adverse conditions. Just periodically clean its deck from grass clipping build ups and your Landroid®M will mow for you trouble-free, year after year, season after season. Don't wash Landroid®M or Landroid®M charger or charging station with high pressure water washers. This may cause damage to the machine, battery or charger.

Winter storage

Even though it is tough, we would recommend that you store your Landroid®M in your shed or garage during the Winter. Before storing it, give your Landroid®M a full recharge that will preserve its battery from damage. You can then disconnect the plug of the charging base. A good tip to prolong the life of the battery is to periodically re-charge it during the Winter. We'd also suggest that you cover the base with a nylon sheet in Winter time.

EN

Safety

Your Landroid®M is safe to people beings and pets. First of all, there's a large clearance between the outer border of the machine and the blades. Moreover, the tilt sensors will instantly stop the blades if the unit is lifted from the ground.

Security

Your Landroid®M is protected by a PIN code. This PIN code prevents unauthorised people from being able to use it. Once it's taken outside its territory, it will not be possible to re-start it by anyone who does not know the PIN code. This also means that you will not be able to start your Landroid®M if you forget your PIN code! We strongly recommend that you write your PIN code here for future reference. Even better, register your Landroid®M online at www.worxlandroid.com and record your PIN code there. You'll be able to access your PIN code online any time.

Write your PIN code here:

www.worxlandroid.com

WORX
it's your nature